

US00D768243S

(12) **United States Design Patent**
Garfinkle

(10) **Patent No.:** **US D768,243 S**

(45) **Date of Patent:** **** Oct. 4, 2016**

(54) **WIRE HANDLE DELI PAN TAG HOLDER**

(71) Applicant: **Clamp Swing Pricing Company,**
Oakland, CA (US)

(72) Inventor: **Benjamin Garfinkle,** Piedmont, CA
(US)

(73) Assignee: **Clamp Swing Pricing Company,**
Oakland, CA (US)

(**) Term: **14 Years**

(21) Appl. No.: **29/518,034**

(22) Filed: **Feb. 19, 2015**

(51) **LOC (10) Cl.** **20-03**

(52) **U.S. Cl.**
USPC **D20/43**

(58) **Field of Classification Search**
USPC D20/10, 43, 44, 99; D24/119
CPC G09F 1/10; G09F 3/18; G09F 3/204
See application file for complete search history.

(56) **References Cited**

U.S. PATENT DOCUMENTS

D314,017 S * 1/1991 Garfinkle D20/43
D347,449 S * 5/1994 Garfinkle D20/43
5,509,634 A * 4/1996 Gebka G09F 3/204
24/336

D510,603 S * 10/2005 Lowry D20/44
D512,463 S * 12/2005 Lowry D20/44
D514,166 S * 1/2006 Brinkman D20/44
D579,984 S * 11/2008 Bruegmann D20/43
D669,136 S * 10/2012 Bruegmann D20/43
D670,765 S * 11/2012 Bruegmann D20/43
8,793,913 B1 * 8/2014 Zobel G09F 3/204
40/661.03
2015/0332619 A1 * 11/2015 Herrmann G09F 23/06
40/594

* cited by examiner

Primary Examiner — Mary Ann Calabrese

(74) *Attorney, Agent, or Firm* — Bay Area Technology
Law Group PC

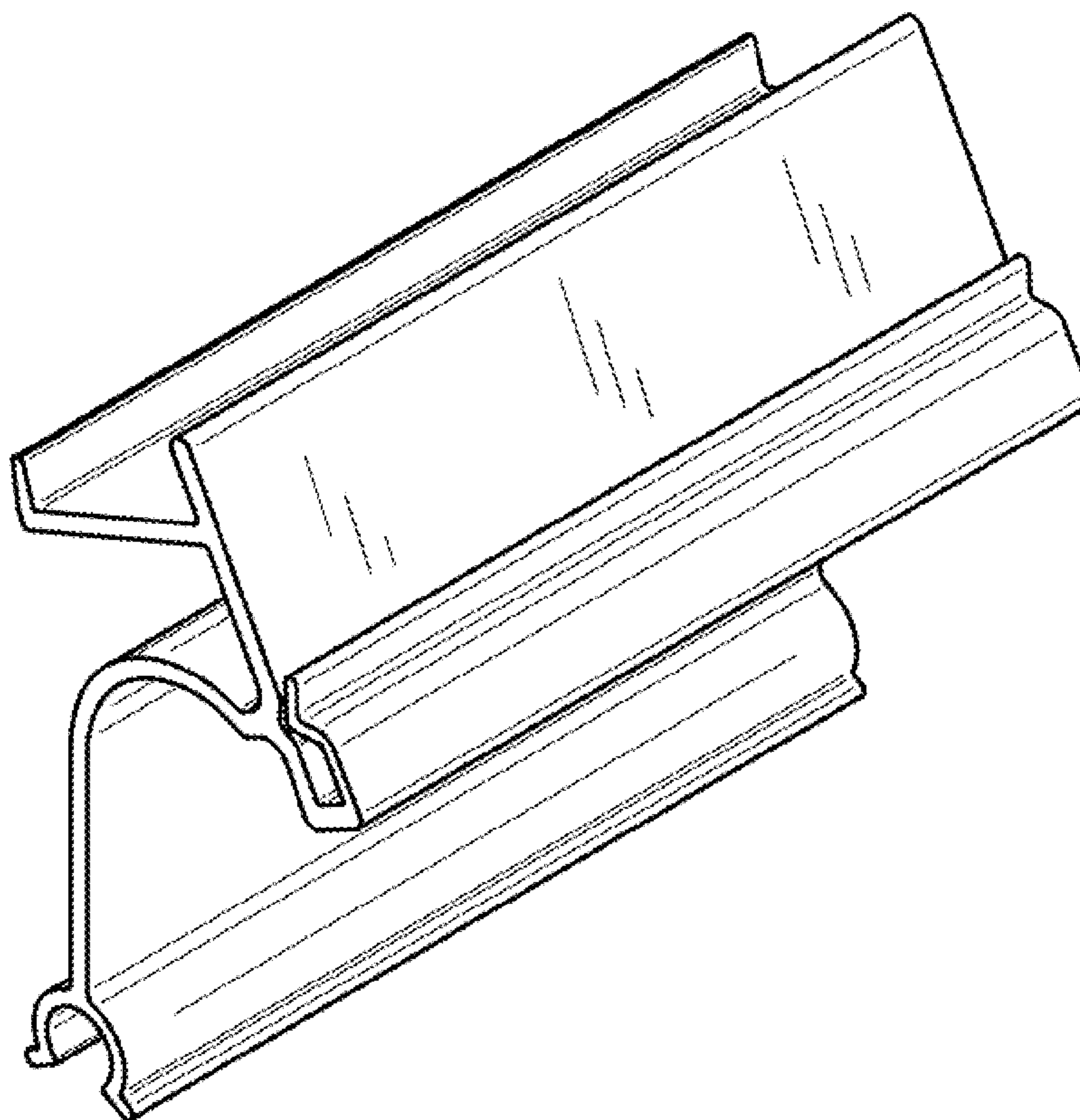
(57) **CLAIM**

The ornamental design for a wire handle deli pan tag holder,
as shown and described.

DESCRIPTION

FIG. 1 is a perspective view of a wire handle deli pan tag holder showing my new design;
FIG. 2 is a front view of FIG. 1;
FIG. 3 is a back view of FIG. 1;
FIG. 4 is a left side view of FIG. 1;
FIG. 5 is a right side view of FIG. 1;
FIG. 6 is a bottom plan view of FIG. 1; and,
FIG. 7 is a top plan view of FIG. 1.

1 Claim, 1 Drawing Sheet



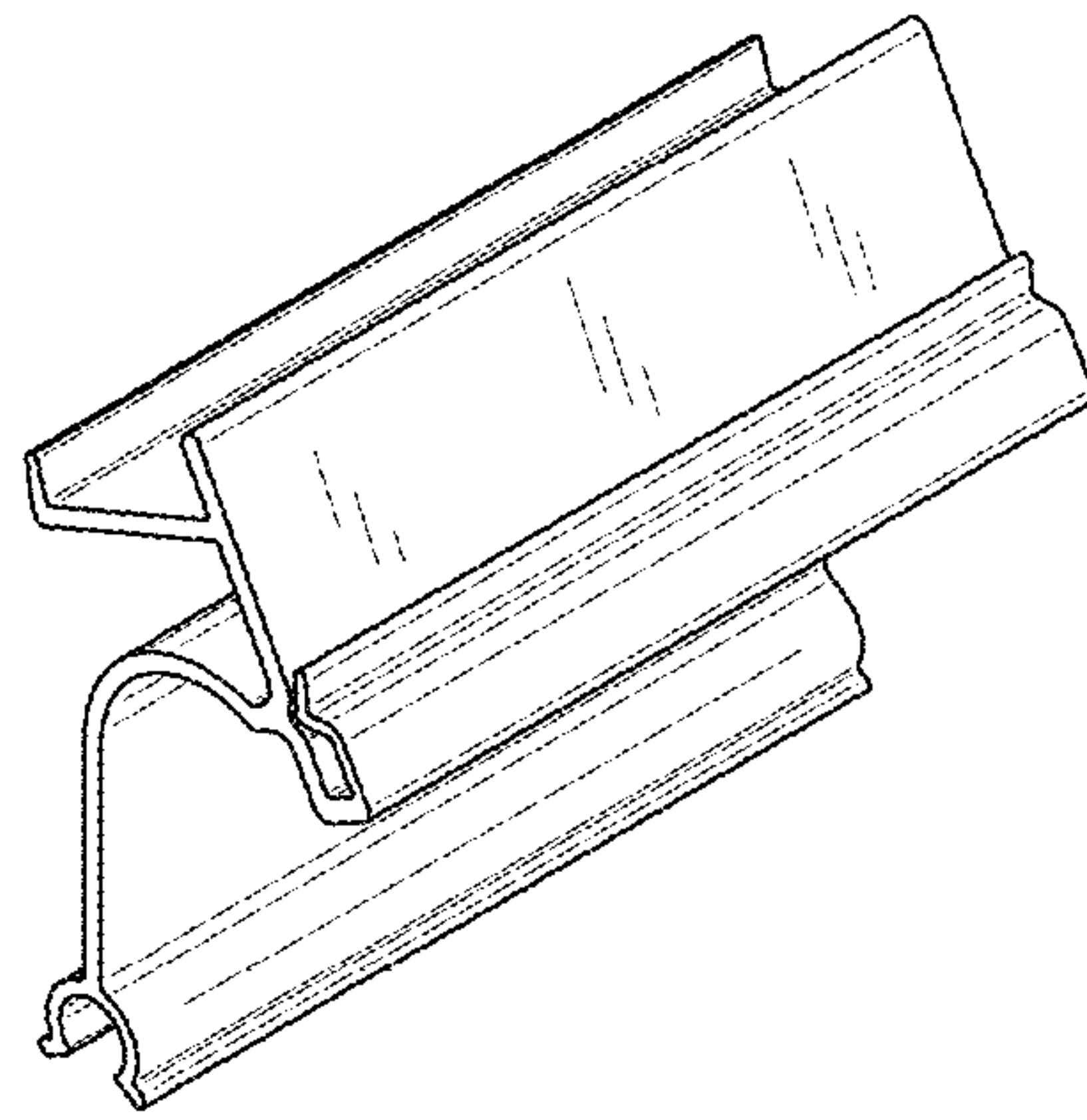


FIG. 1

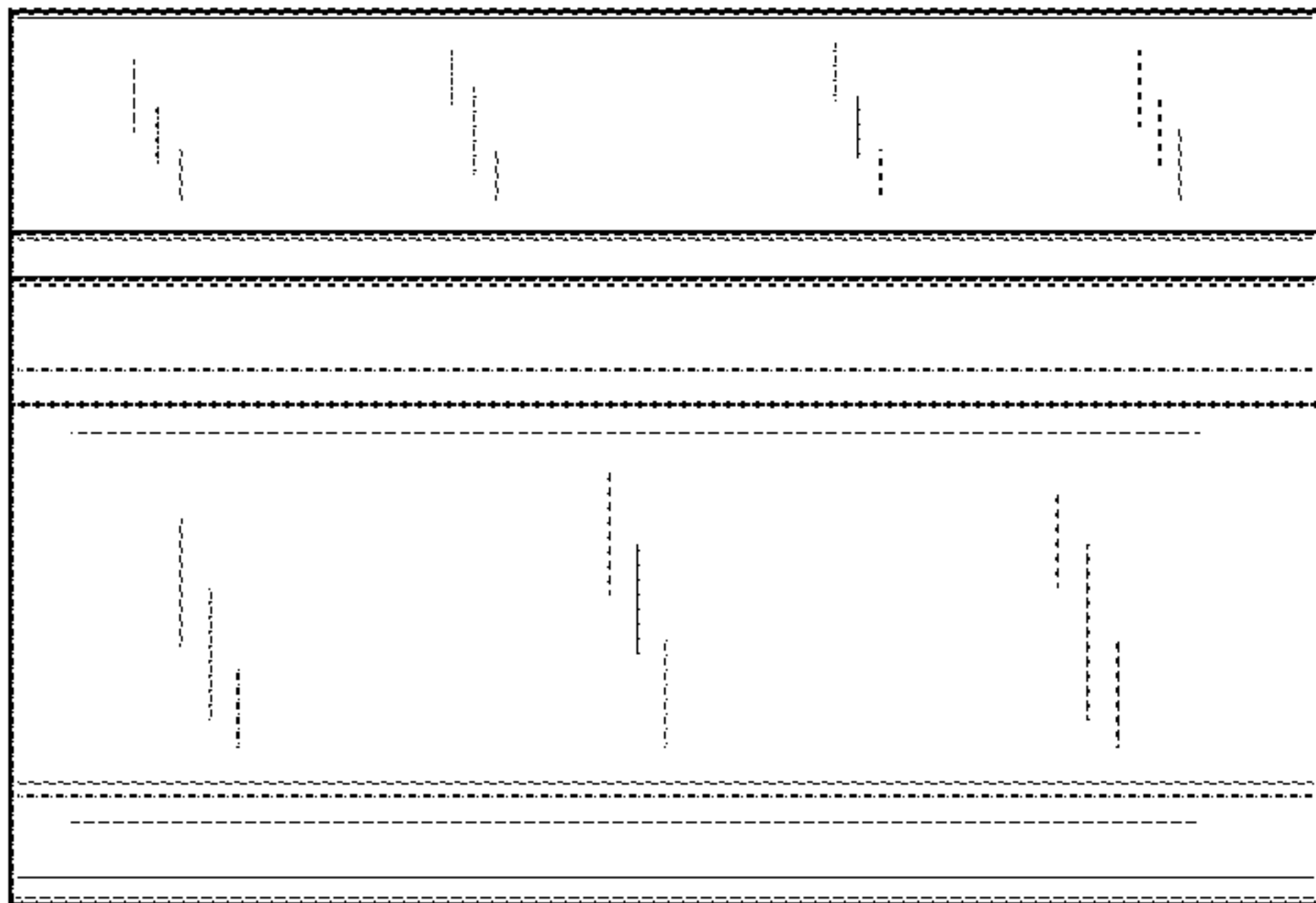


FIG. 2

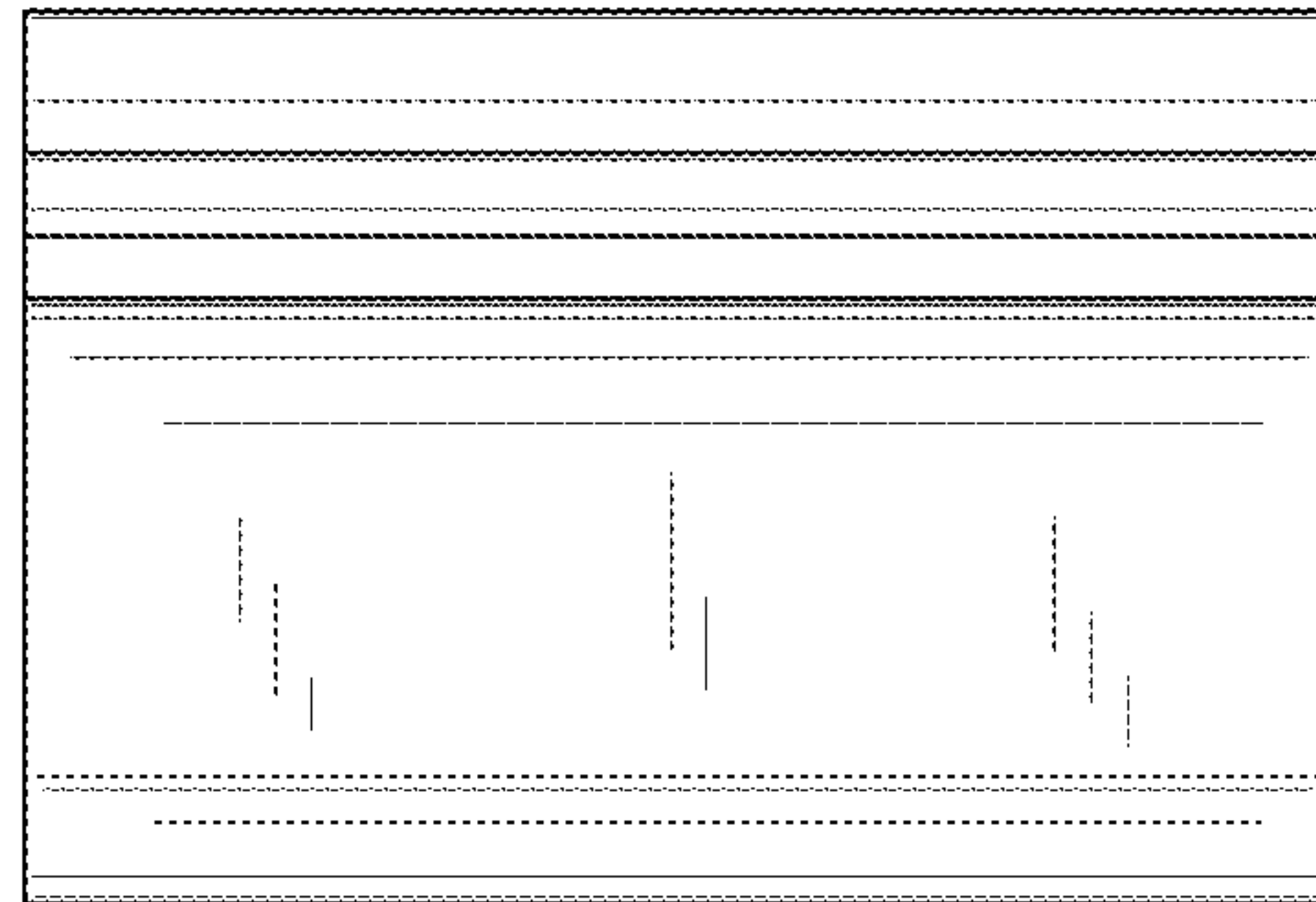


FIG. 3

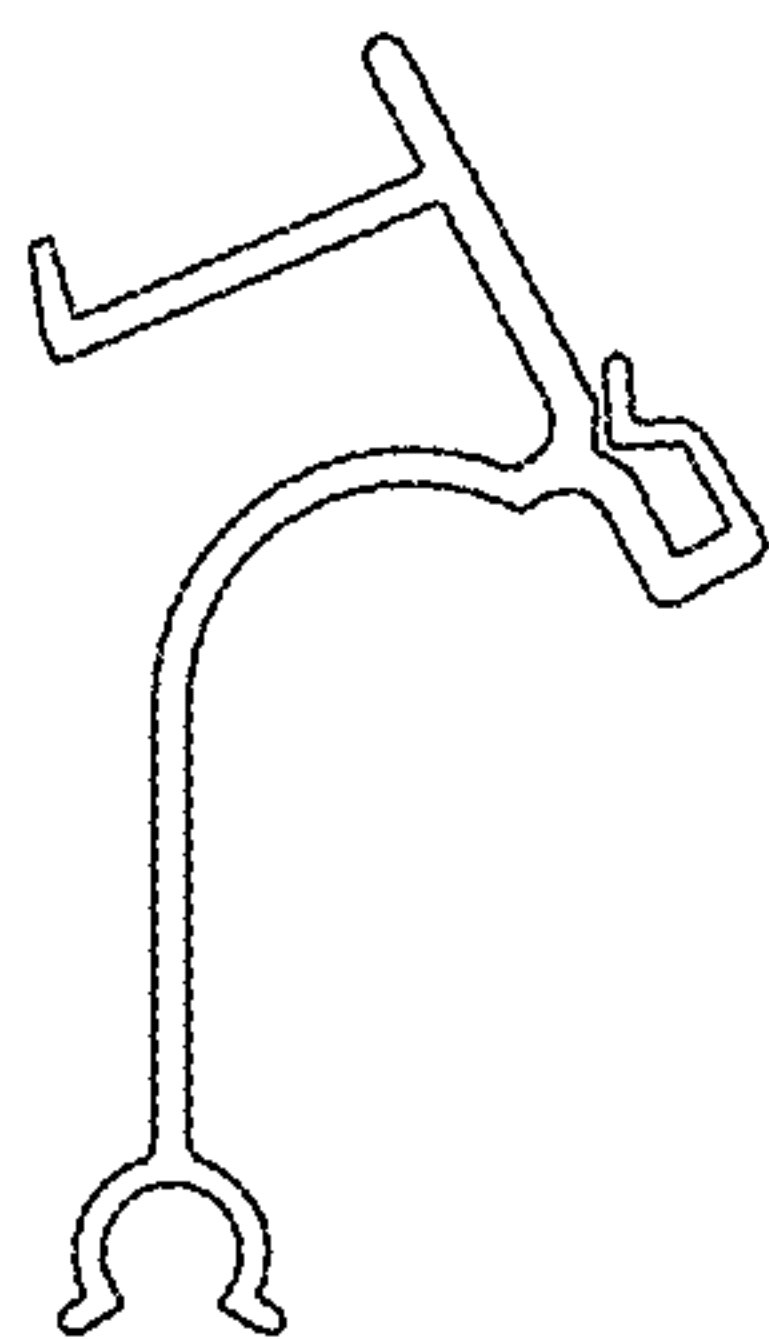


FIG. 4

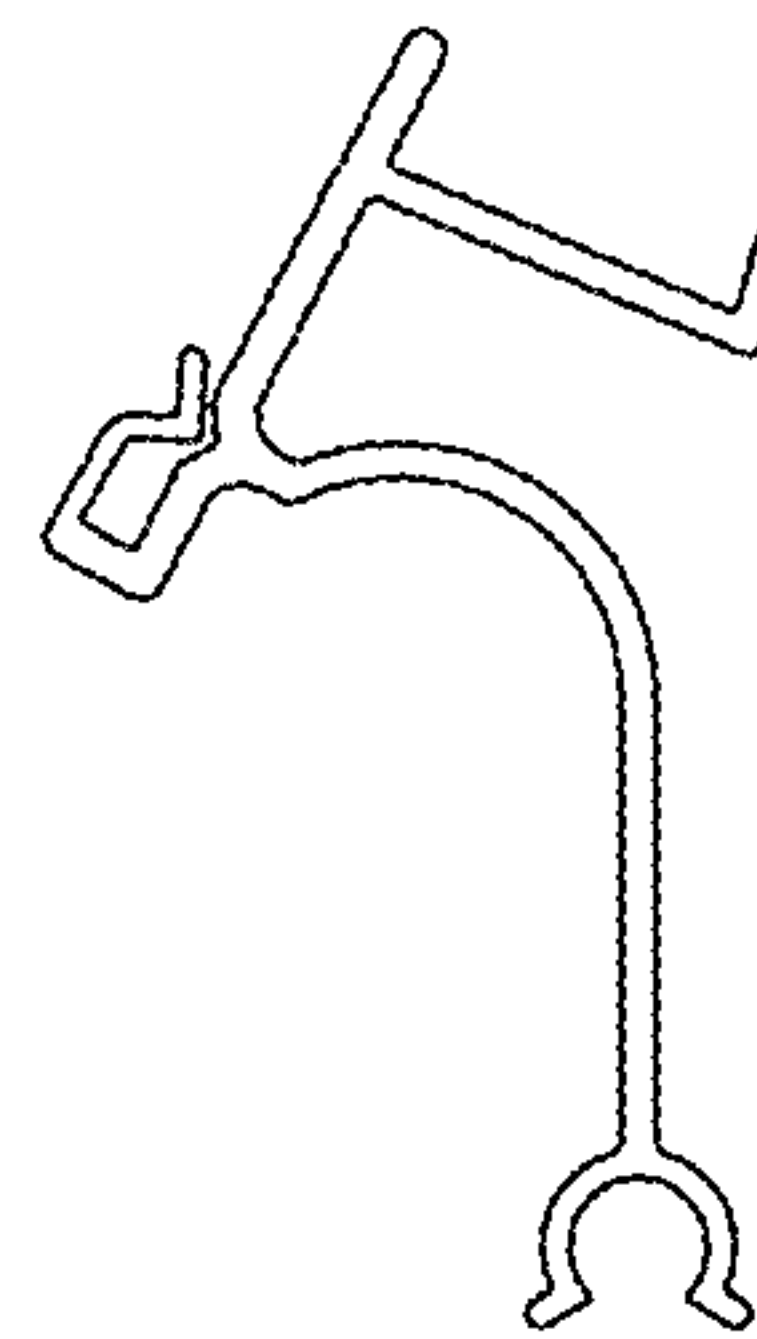


FIG. 5

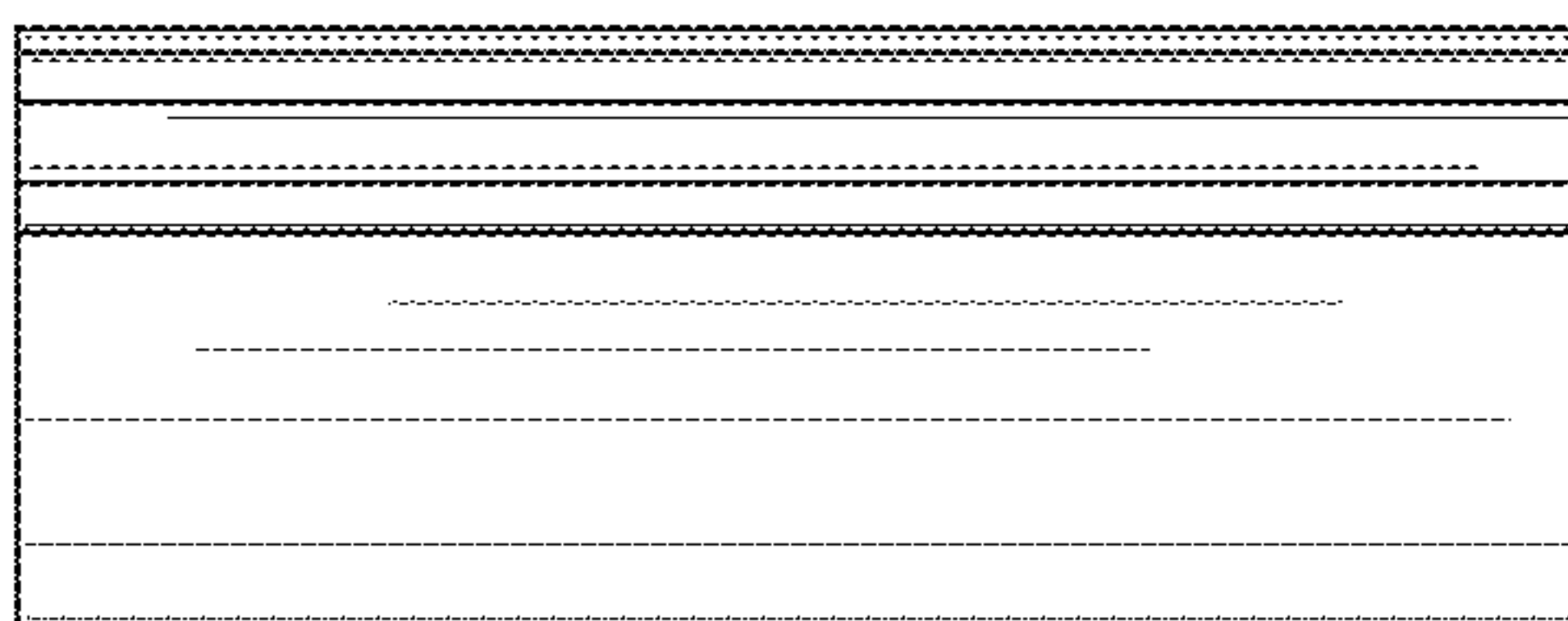


FIG. 6

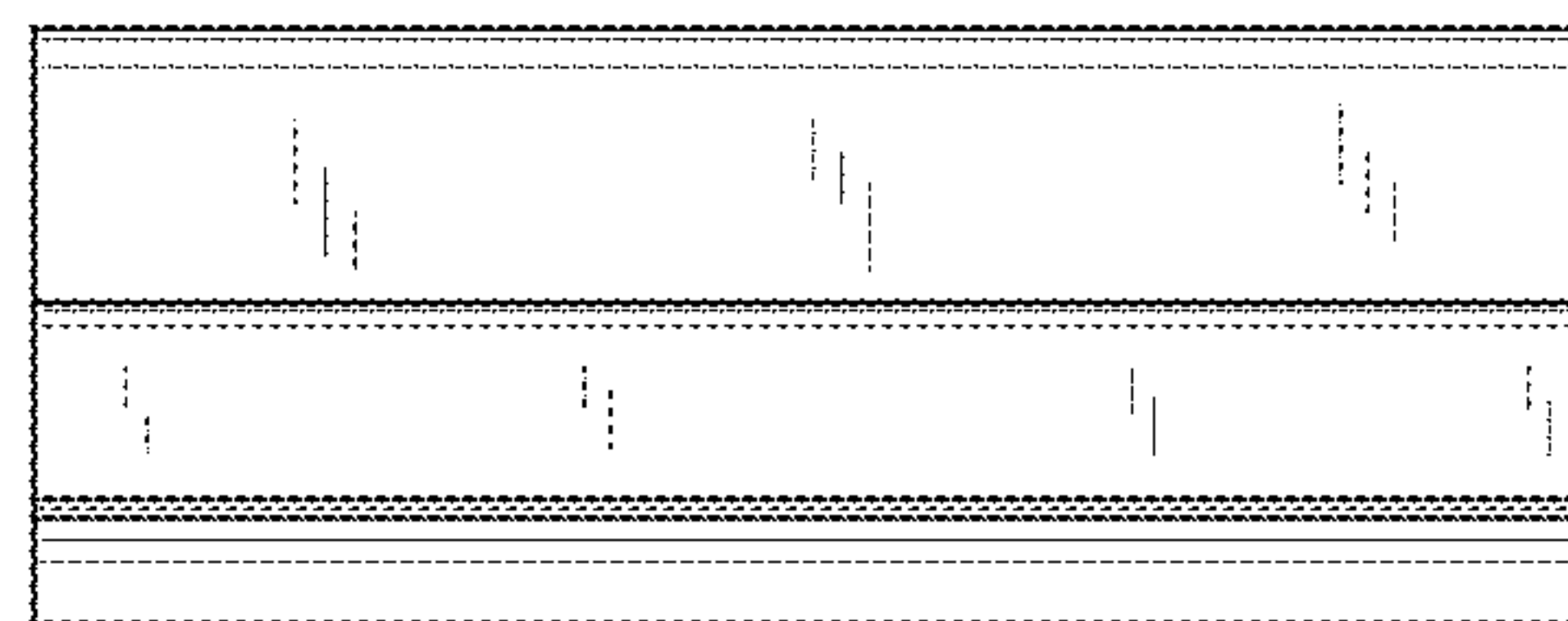


FIG. 7