



US00D768237S

(12) **United States Design Patent**
Huang

(10) **Patent No.:** **US D768,237 S**

(45) **Date of Patent:** **** Oct. 4, 2016**

(54) **ORIGAMI ENVELOPE**

(71) Applicant: **Bor-Jiun Huang**, Burnaby (CA)

(72) Inventor: **Bor-Jiun Huang**, Burnaby (CA)

(**) Term: **15 Years**

(21) Appl. No.: **29/534,570**

(22) Filed: **Jul. 29, 2015**

(51) **LOC (10) Cl.** **19-01**

(52) **U.S. Cl.**

USPC **D19/2**

(58) **Field of Classification Search**

USPC D19/1-12, 20-34, 100;
40/124.01-124.15, 672, 661, 617, 599,
40/331, 359, 360, 673, 455, 463, 717,
40/124.191, 457; 283/2-4, 74, 75, 103,
283/105-106, 117; D20/10, 22, 27, 40, 42;
229/92, 92.1, 92.8, 300-303, 120.02;
D11/131, 117; 206/449, 308.3, 308.1,
206/232; 383/103; 248/441.1, 460;
281/15.1, 51; D6/300, 309; 434/311,
434/317, 319; 446/147

CPC B65D 27/00; B65D 27/04; B65D 27/06;
B65D 27/14; B65D 27/20; B65D 15/00;
B65D 15/02; G08B 3/00

See application file for complete search history.

(56) **References Cited**

U.S. PATENT DOCUMENTS

D135,748 S * 6/1943 Baumgartner D19/2
D199,449 S * 10/1964 Davis D21/587
D314,790 S * 2/1991 Hager D19/3
D338,913 S * 8/1993 Moya, Jr. D19/3
D377,191 S * 1/1997 Thompson 229/74

D383,160 S * 9/1997 Hiersteiner D19/12
D403,700 S * 1/1999 Sabella D19/3
D512,094 S * 11/2005 Mandeel D19/3
D518,099 S * 3/2006 Agulnick D19/3
D534,583 S * 1/2007 Wagoner D19/3
D590,440 S * 4/2009 Taute D19/3
D685,843 S * 7/2013 Glass D19/3
D728,683 S * 5/2015 Glass D19/3

OTHER PUBLICATIONS

“Envelope traditional”, Diagrams © 2005, Marc Kirschenbaum.

* cited by examiner

Primary Examiner — Abraham Bahta

(74) *Attorney, Agent, or Firm* — Oyen Wiggs Green & Mutala LLP

(57) **CLAIM**

The ornamental design for an origami envelope, as shown and described.

DESCRIPTION

FIG. 1 is a top plan view of the origami envelope in accordance with one embodiment of the design;

FIG. 2 is a front elevation view thereof;

FIG. 3 is a right elevation view thereof;

FIG. 4 is a bottom plan view thereof;

FIG. 5 is a left elevation view thereof;

FIG. 6 is a rear elevation view thereof;

FIG. 7 is a top plan view of the origami envelope in accordance with another embodiment of the design;

FIG. 8 is a front elevation view thereof;

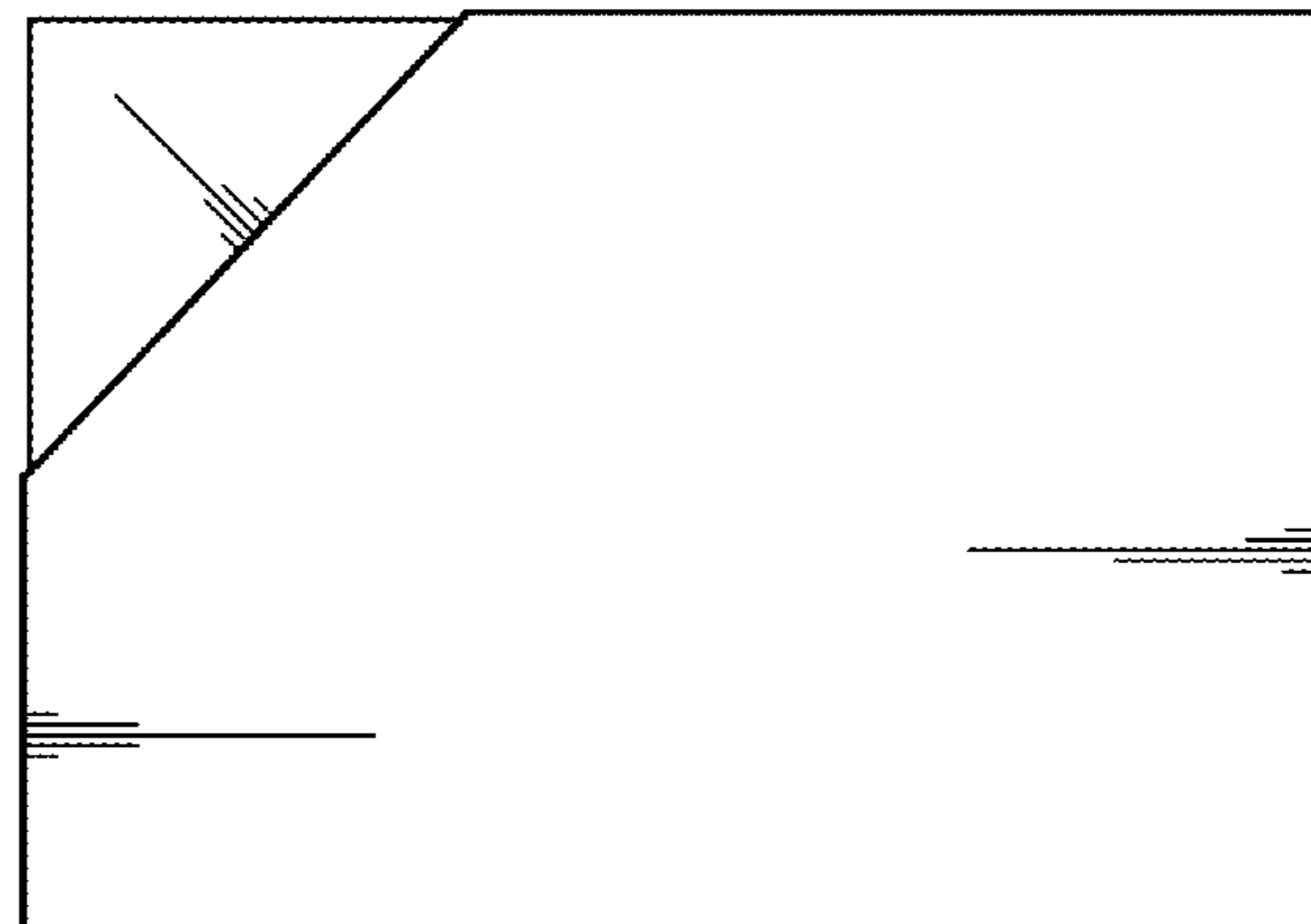
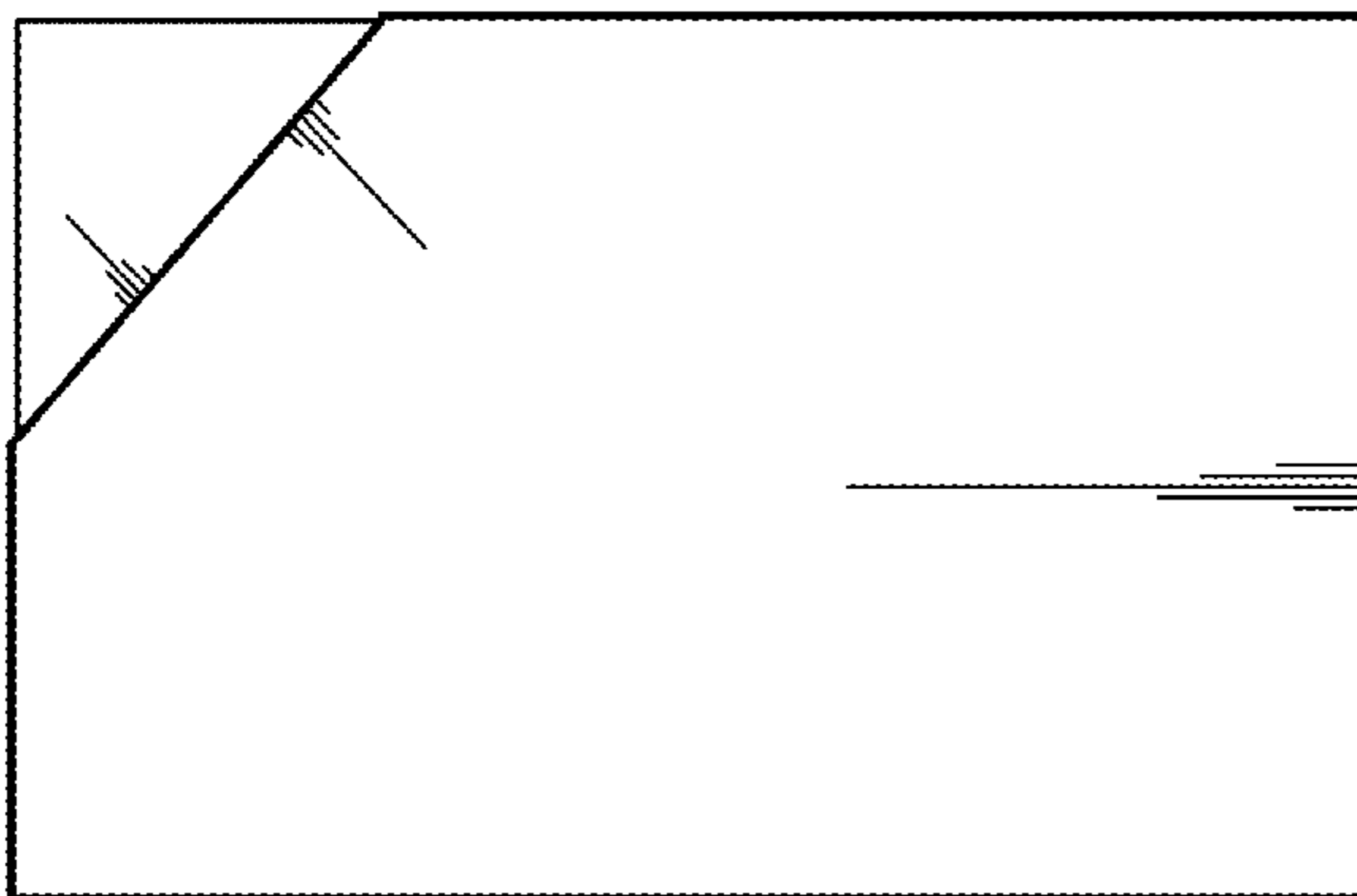
FIG. 9 is a right elevation view thereof;

FIG. 10 is a bottom plan view thereof;

FIG. 11 is a rear elevation view thereof; and,

FIG. 12 is a left elevation view thereof.

1 Claim, 4 Drawing Sheets



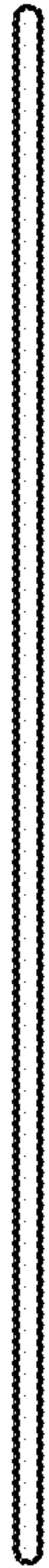


FIG. 2

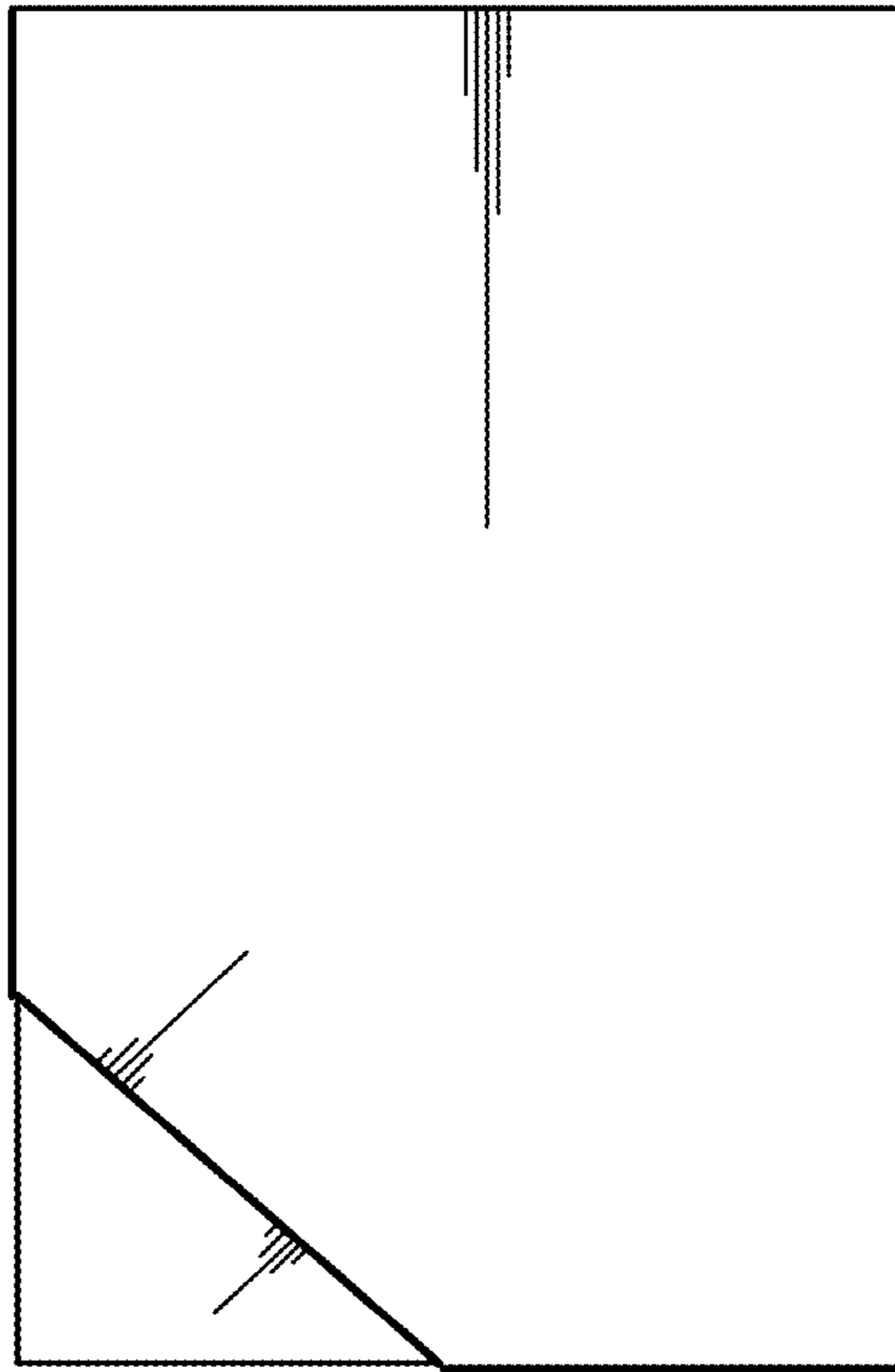


FIG. 1

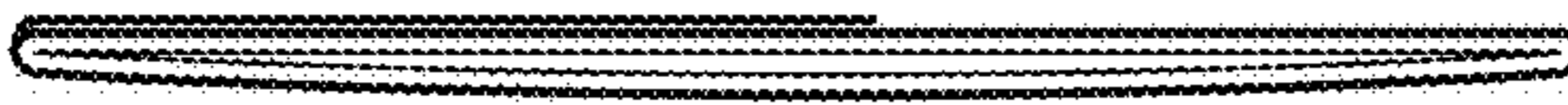


FIG. 3

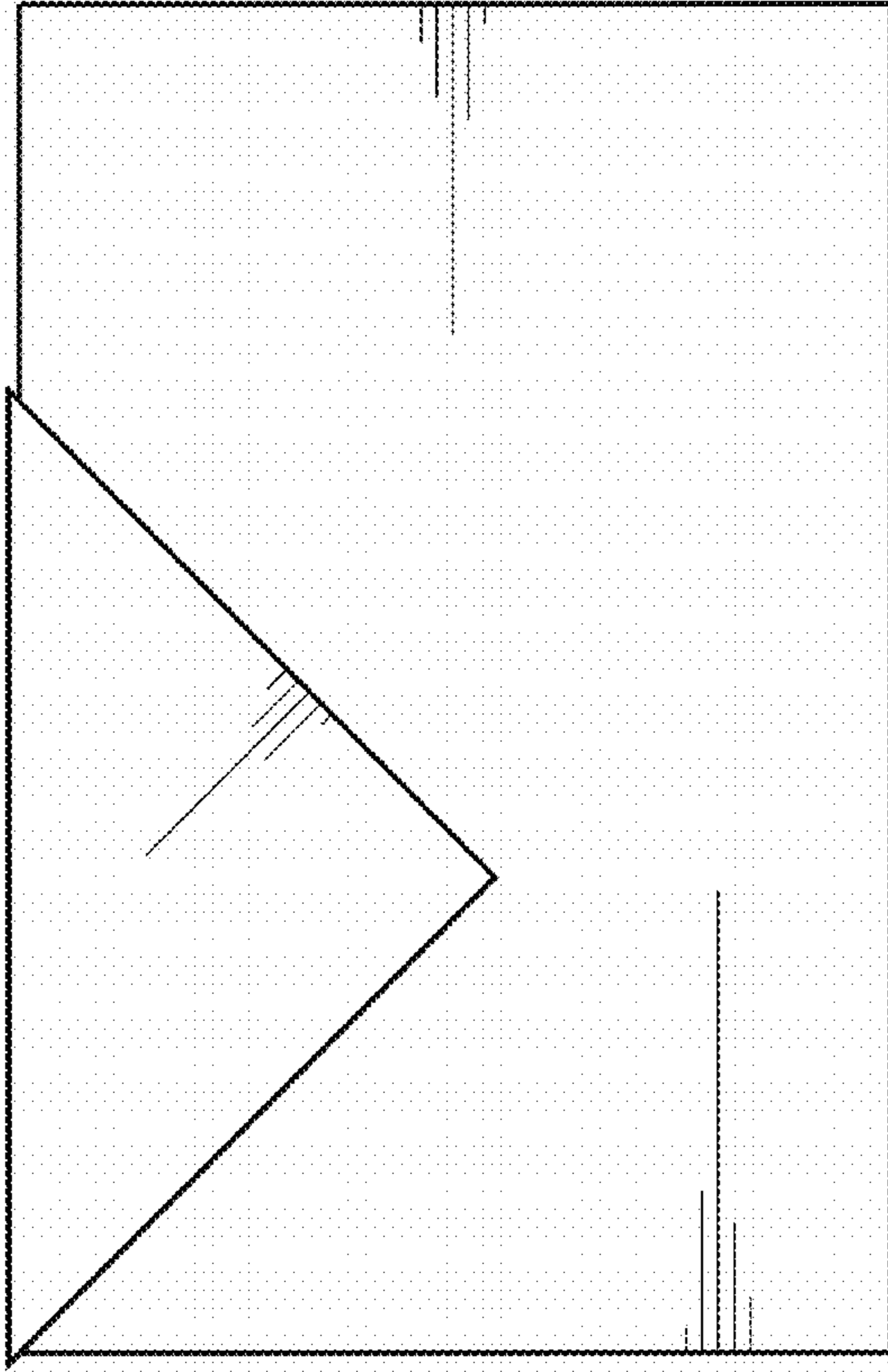


FIG. 4

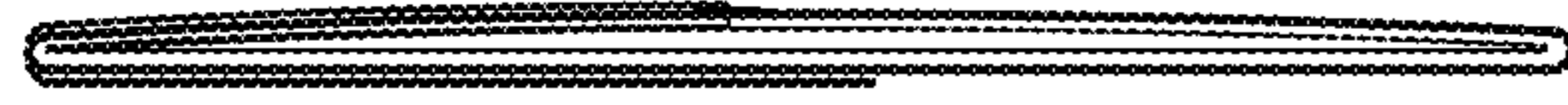


FIG. 5

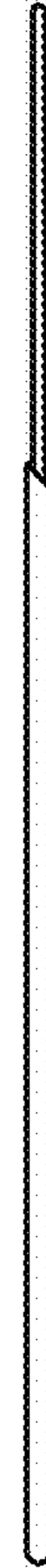


FIG. 6

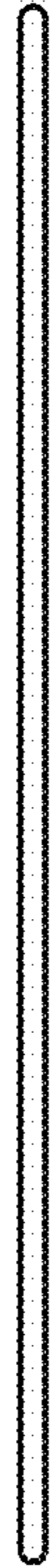


FIG. 8

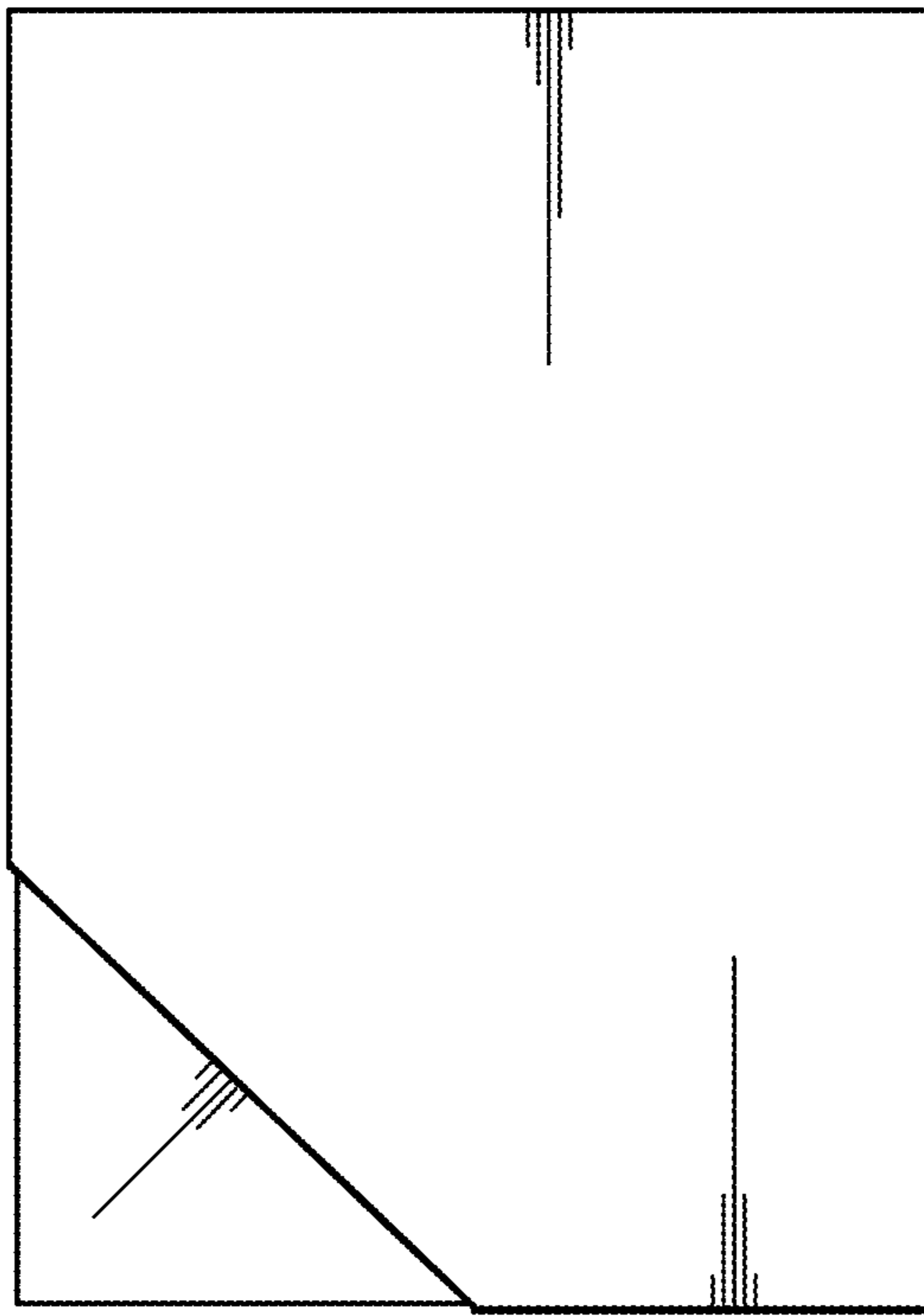


FIG. 7

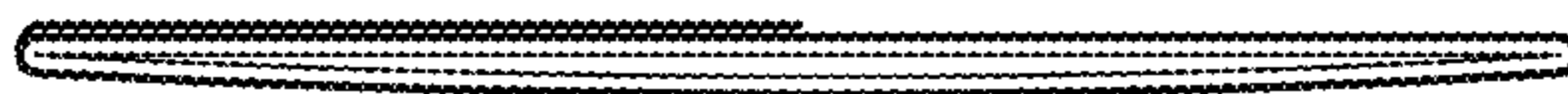


FIG. 9

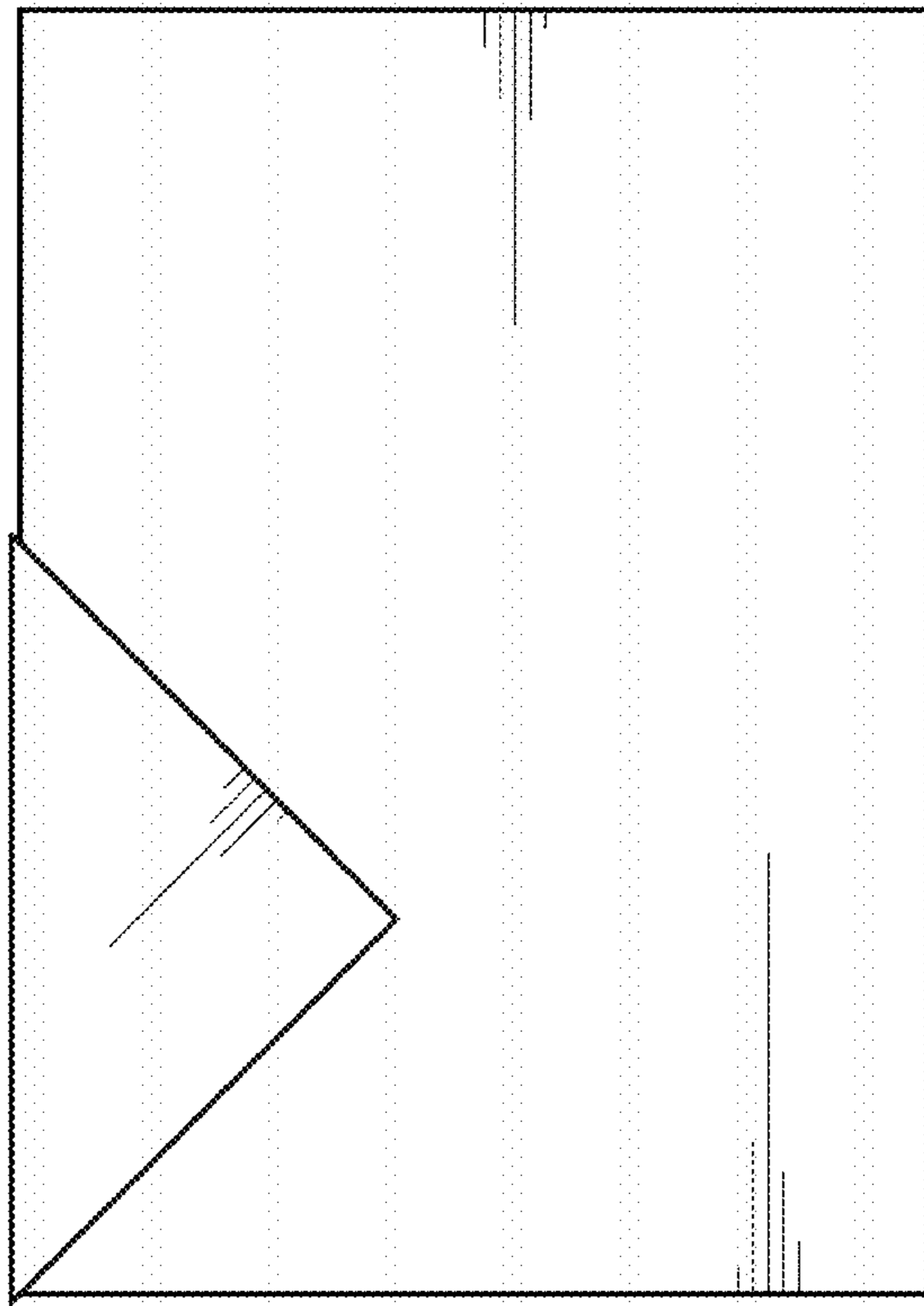


FIG. 10

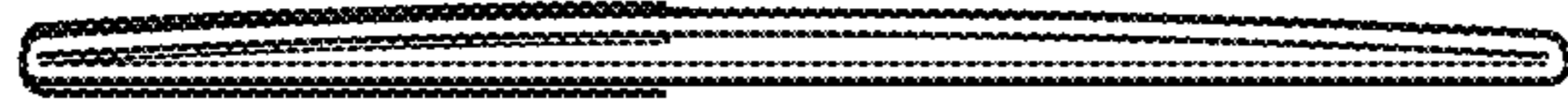


FIG. 12



FIG. 11