

US00D768235S

(12) **United States Design Patent** (10) **Patent No.:** **US D768,235 S**
Ozawa et al. (45) **Date of Patent:** **** Oct. 4, 2016**

(54) **LABEL PRINTER**

(71) Applicant: **SATO HOLDINGS KABUSHIKI KAISHA**, Tokyo (JP)

(72) Inventors: **Taichi Ozawa**, Tokyo (JP); **Kota Yamada**, Tokyo (JP); **Hikari Mochizuki**, Tokyo (JP)

(73) Assignee: **SATO HOLDINGS KABUSHIKI KAISHA**, Tokyo (JP)

(**) Term: **14 Years**

(21) Appl. No.: **29/510,462**

(22) Filed: **Nov. 28, 2014**

(30) **Foreign Application Priority Data**

May 29, 2014 (JP) 2014-011535

(51) **LOC (10) Cl.** **18-02**

(52) **U.S. Cl.**
USPC **D18/56**

(58) **Field of Classification Search**
USPC D14/485; D18/4.5, 4.6, 14, 19, 36-41, D18/49, 50, 54, 54.1, 56, 99; D7/351; D13/162, 164
CPC B41J 2/17; B41J 2/18; B41J 11/00; B41J 11/58; B41J 15/12; B41J 15/042; B41J 17/00; B41J 29/02; B41J 29/08; B41J 3/4075; B41J 13/10; B41J 29/00; B41J 29/18; G03G 15/00; G03G 21/16; G06F 3/12

See application file for complete search history.

(56) **References Cited**

U.S. PATENT DOCUMENTS

D452,629 S * 1/2002 Chouya D7/351
D523,823 S * 6/2006 McLellan D13/164
D680,160 S * 4/2013 Egami D18/50
D683,396 S * 5/2013 Yonekawa D18/50
D720,803 S * 1/2015 Inada D18/50
D753,217 S * 4/2016 Ozawa D18/50

* cited by examiner

Primary Examiner — Thomas Johannes

Assistant Examiner — Shawn T Gingrich

(74) *Attorney, Agent, or Firm* — Andrew F. Young, Esq.; Lackenbach Siegel, LLP

(57) **CLAIM**

The ornamental design for a label printer, as shown and described.

DESCRIPTION

FIG. 1 is a front perspective view of the present invention. FIG. 2 is a front elevation view of FIG. 1. FIG. 3 is a rear elevation view of FIG. 1. FIG. 4 is a top plan view of FIG. 1. FIG. 5 is a bottom plan view of FIG. 1. FIG. 6 is a right side elevation view of FIG. 1; and, FIG. 7 is a left side elevation view of FIG. 1. The broken line portion of the figure drawings is included to show environment that forms no part of the claimed design. The dash-dot lines depict the boundaries of the claim and form no part of the claimed design.

1 Claim, 7 Drawing Sheets

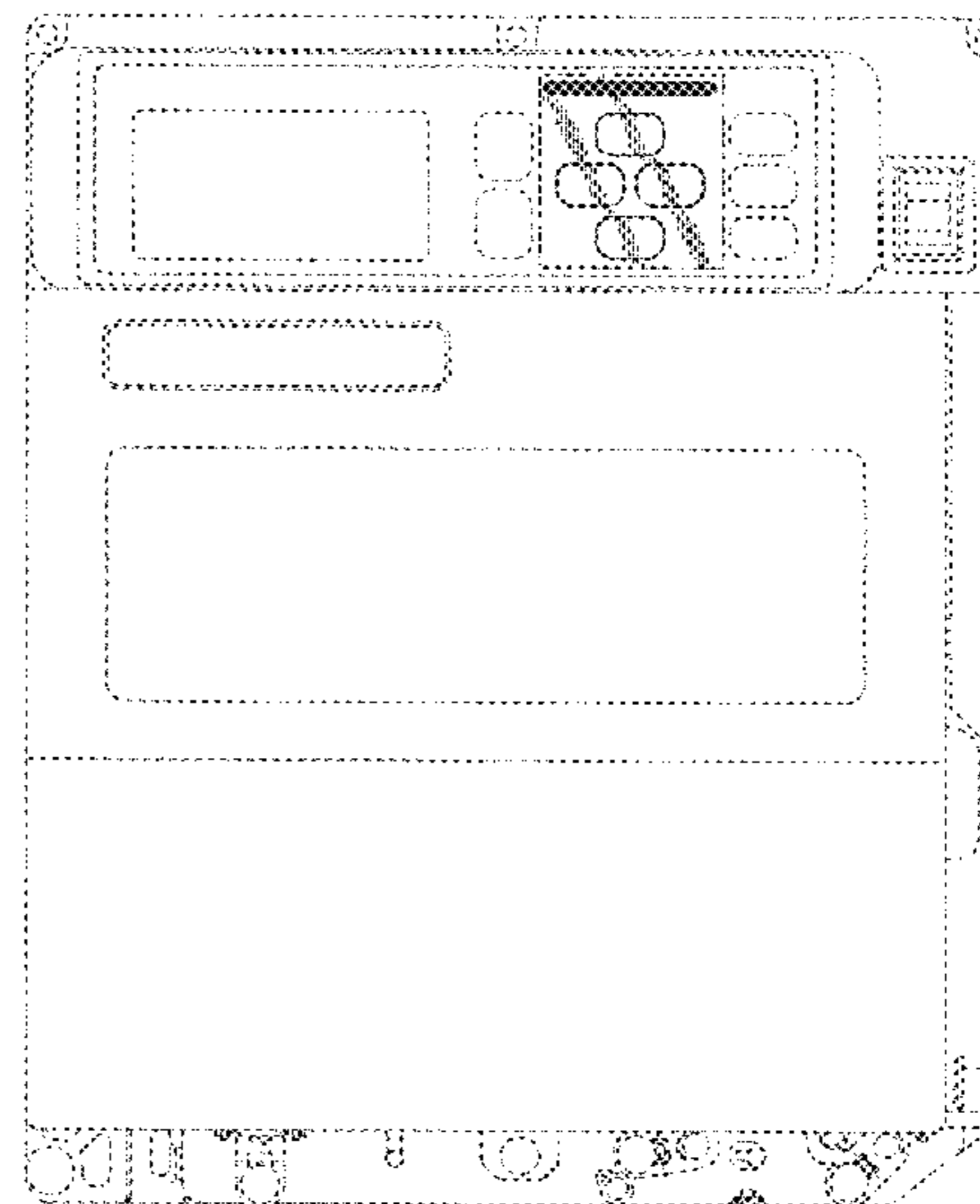
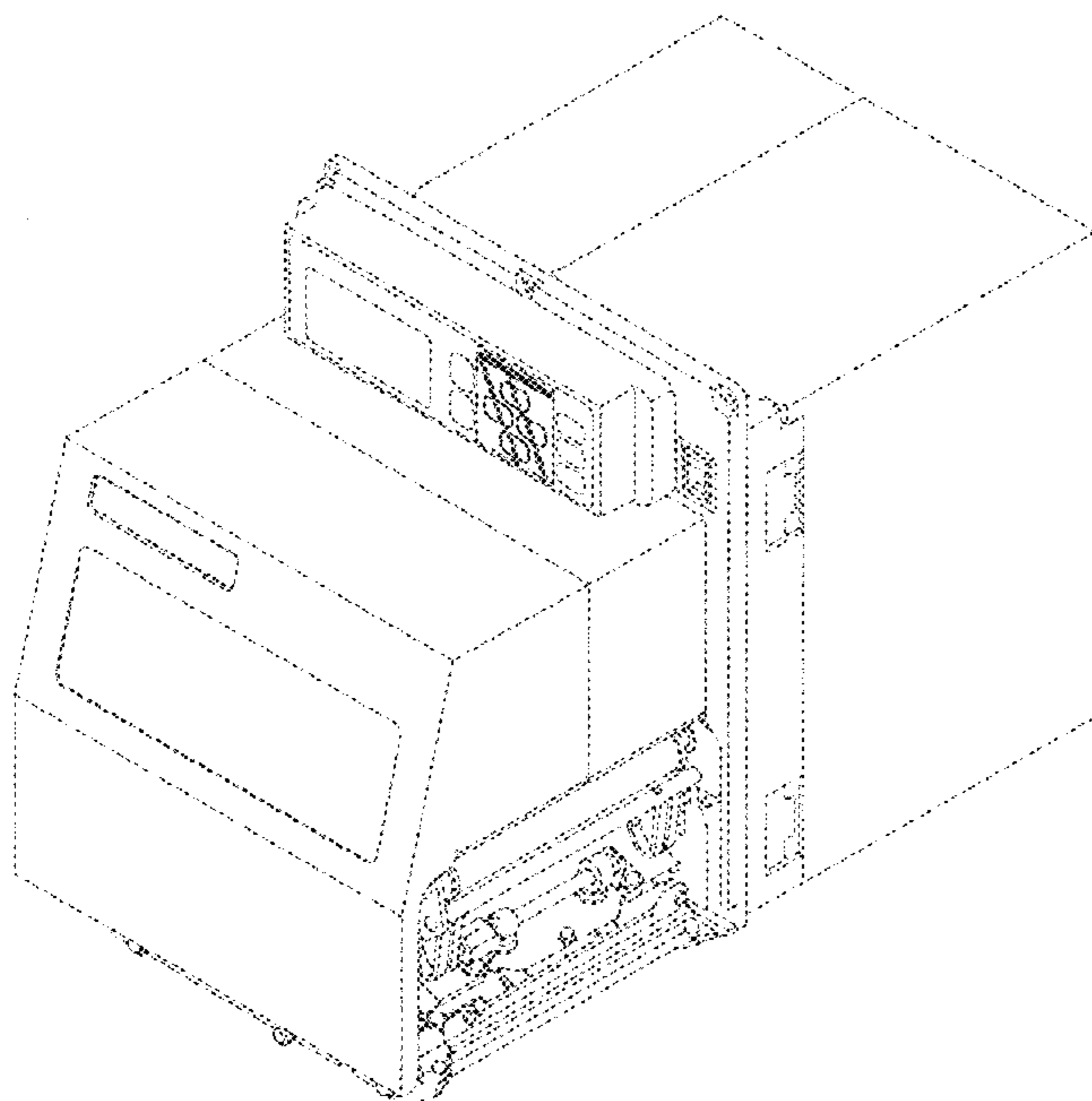


FIG. 1

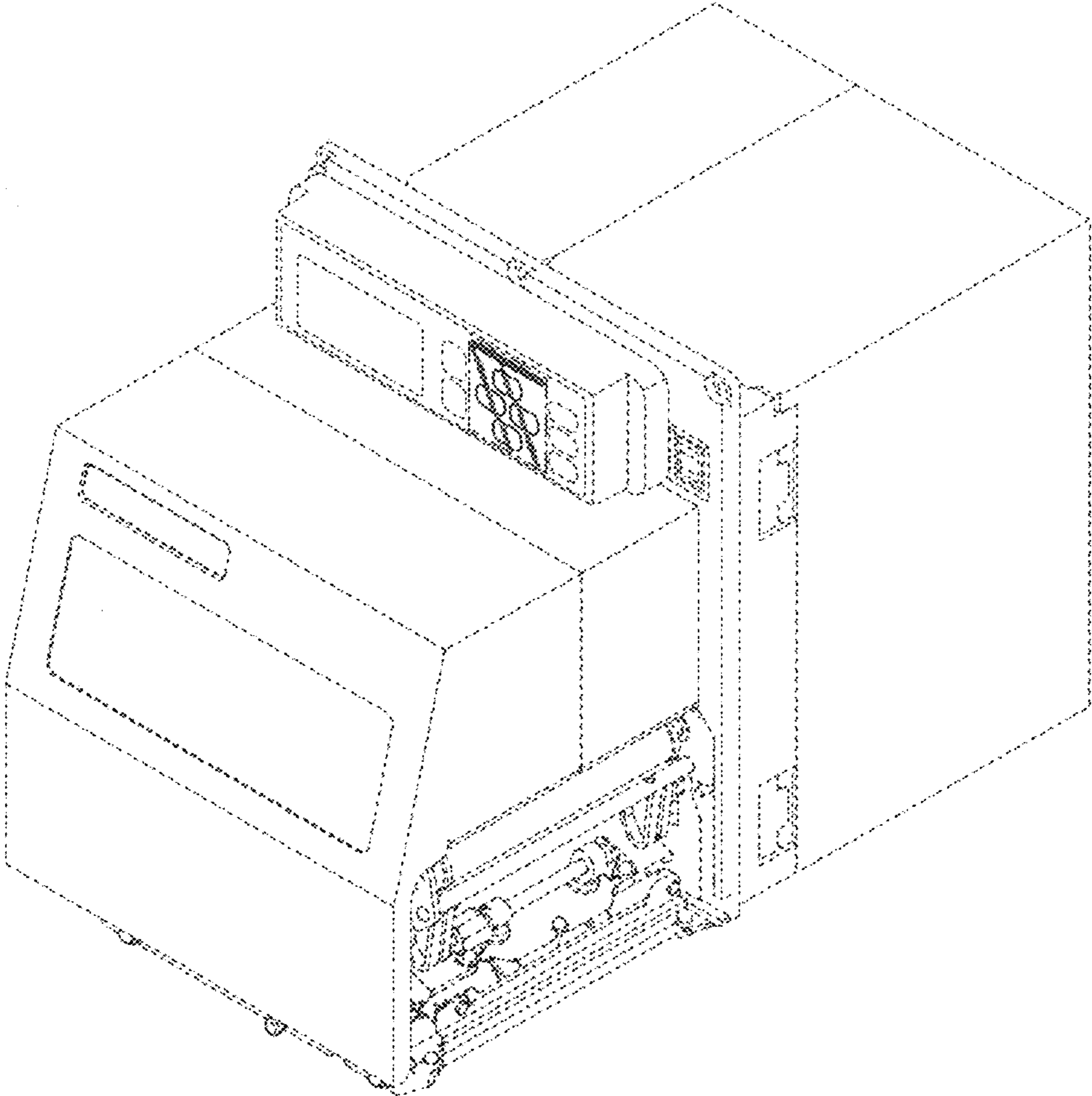


FIG. 2

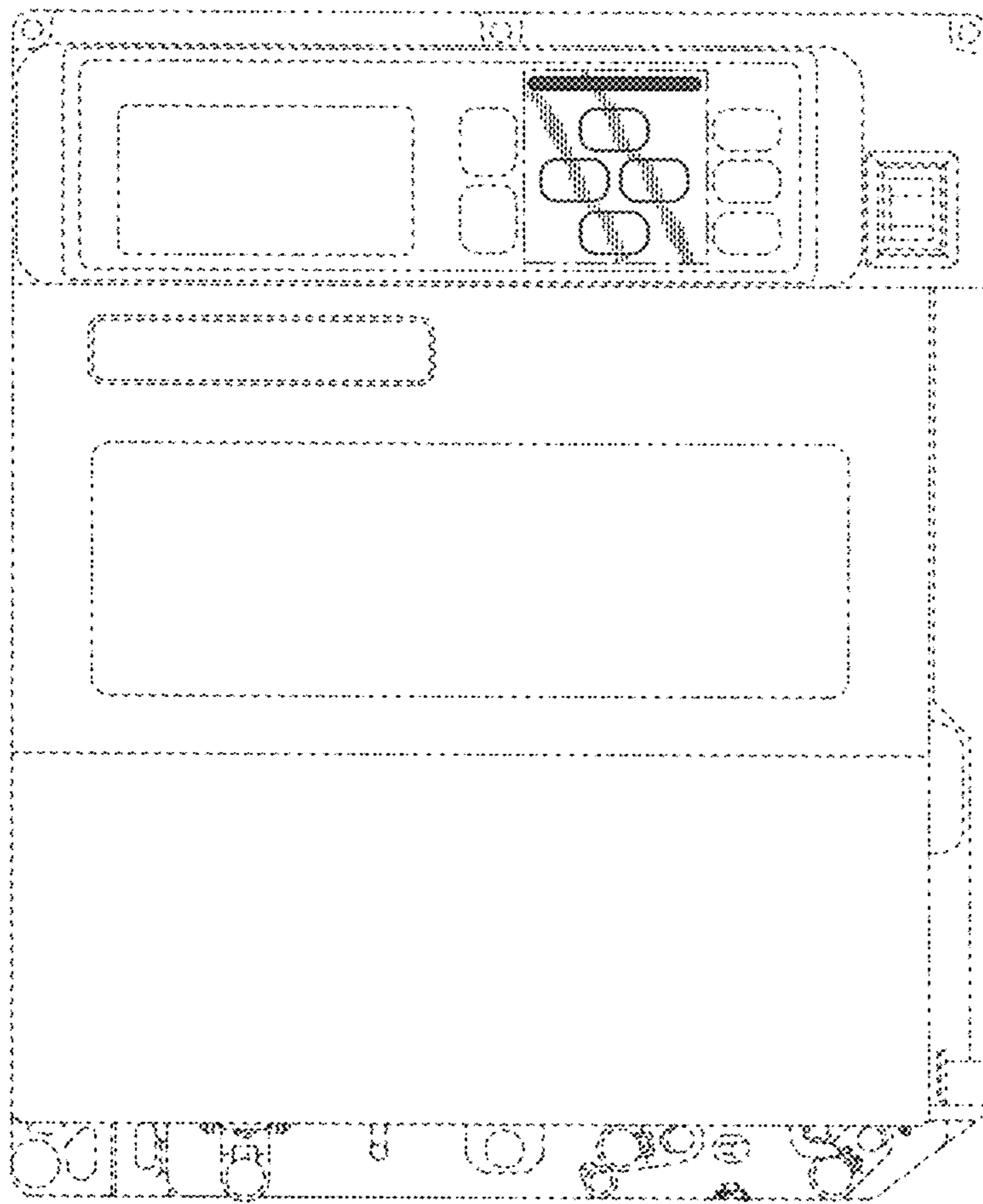


FIG. 3

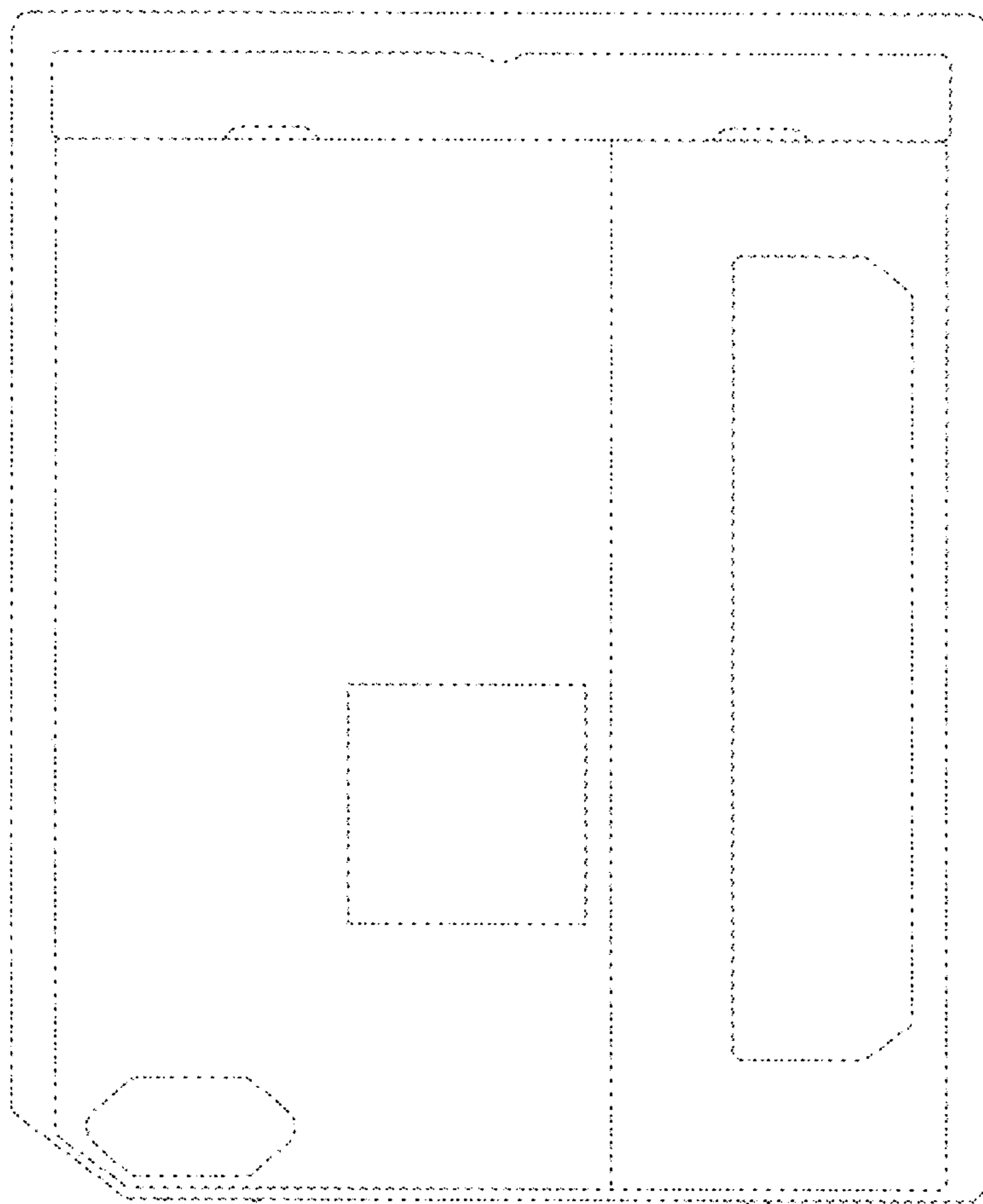


FIG. 4

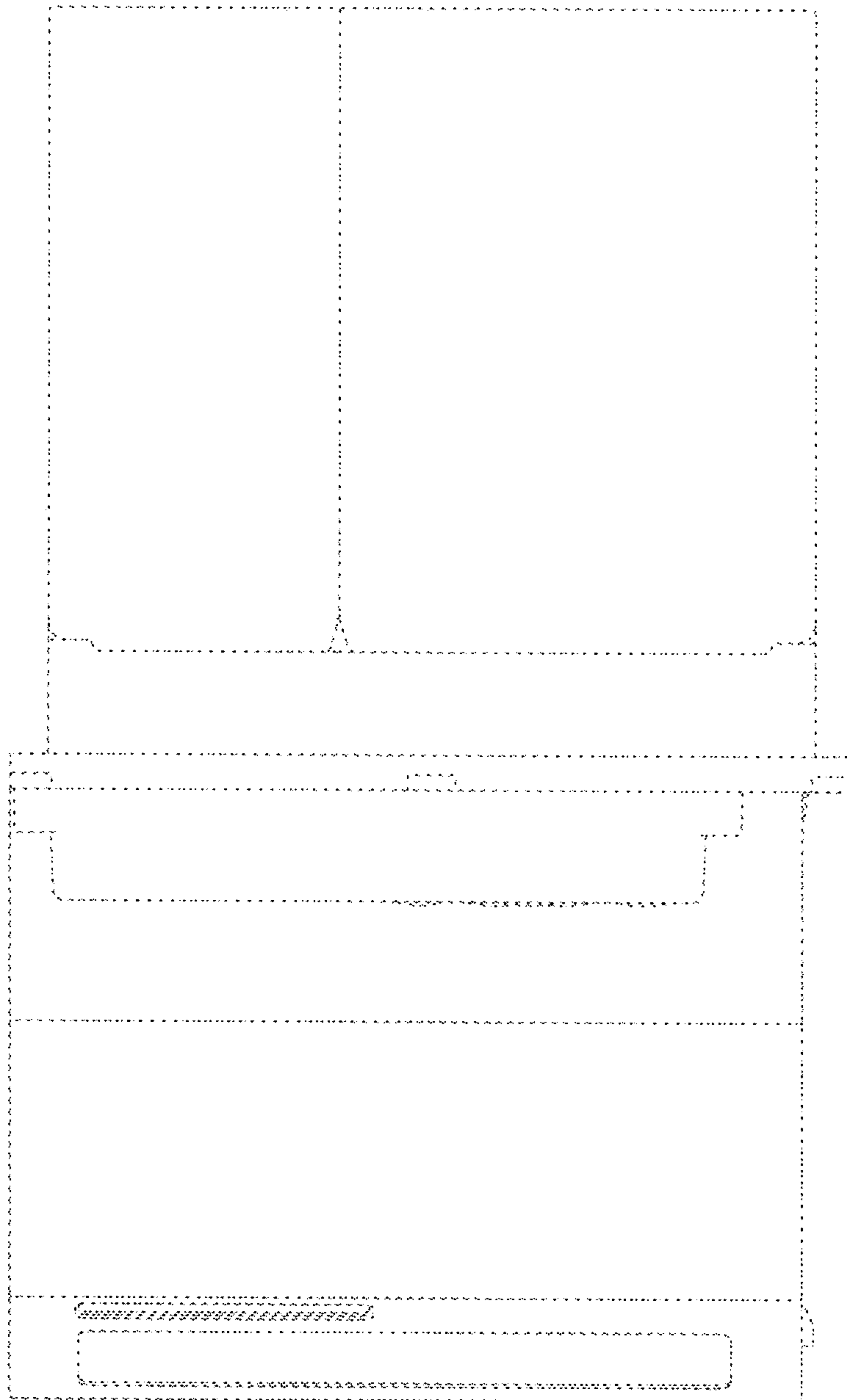


FIG. 5

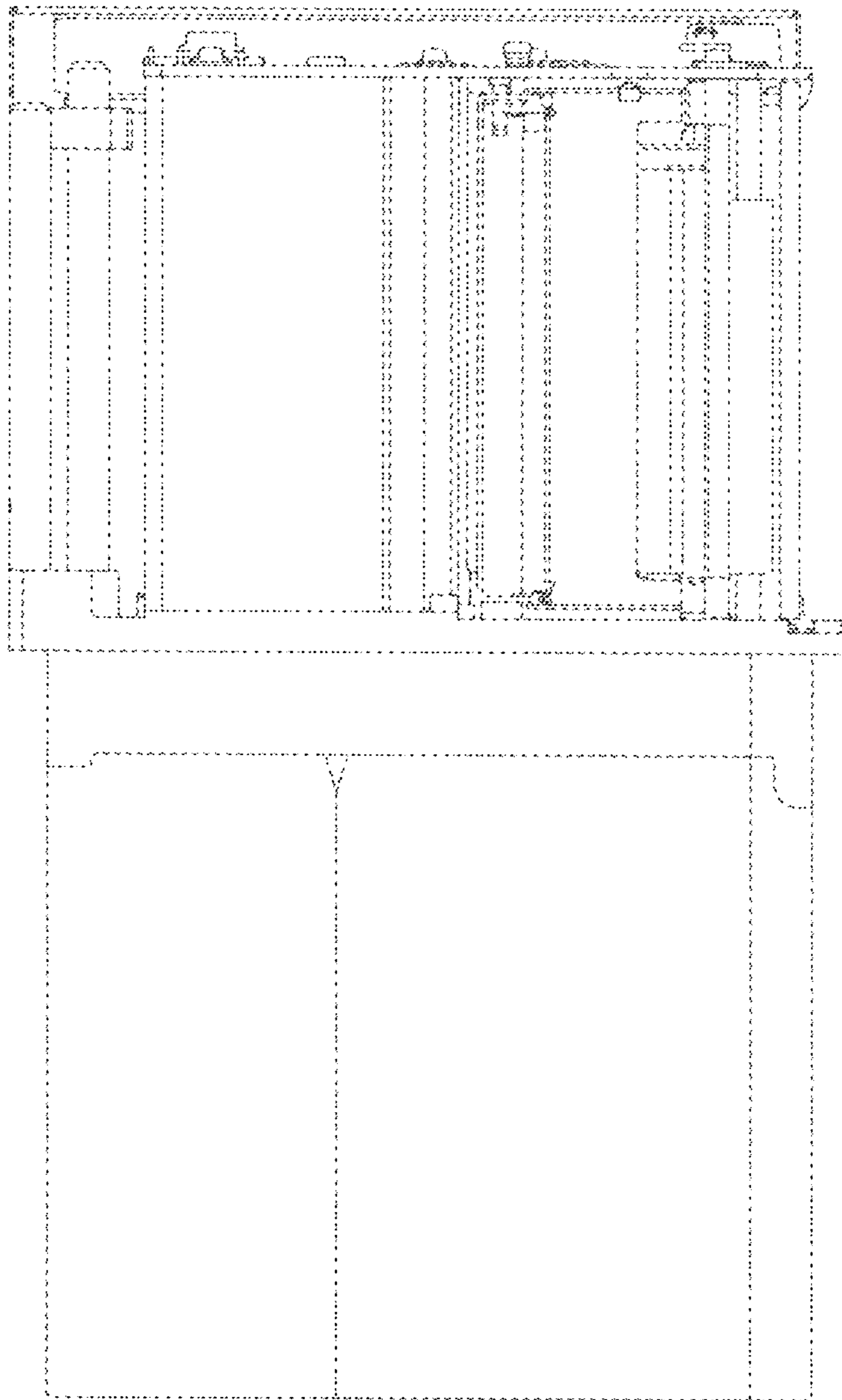


FIG. 6

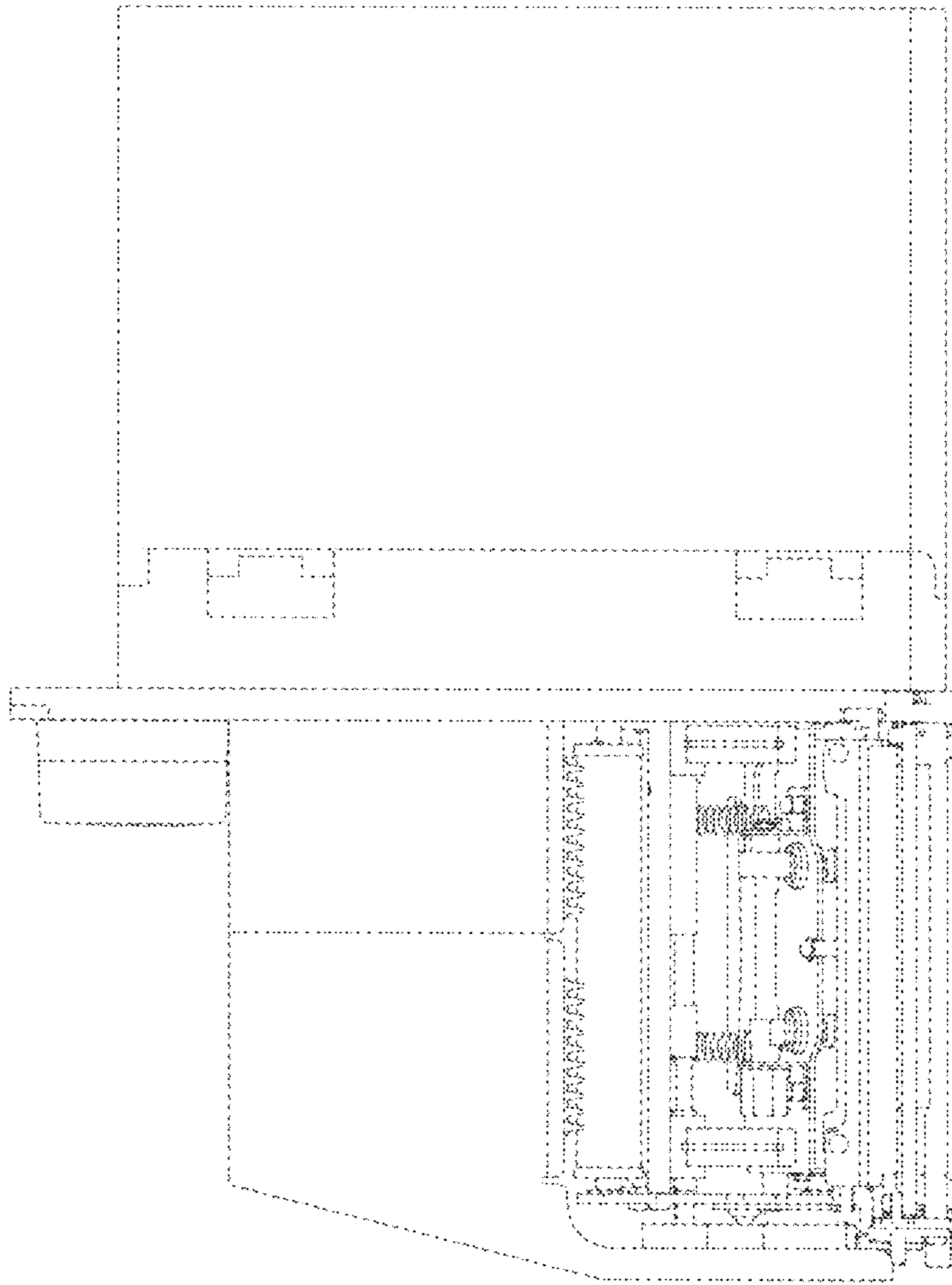


FIG. 7

