



US00D768234S

(12) **United States Design Patent**
Kim

(10) **Patent No.:** **US D768,234 S**

(45) **Date of Patent:** **** Oct. 4, 2016**

(54) **PICKUP FOR GUITAR**

(71) Applicant: **G&B PICKUP**, Incheon-si (KR)

(72) Inventor: **Nam-Yoon Kim**, Incheon-si (KR)

(73) Assignee: **G&B PICKUP** (KR)

(**) Term: **14 Years**

(21) Appl. No.: **29/509,167**

(22) Filed: **Nov. 14, 2014**

(51) **LOC (10) Cl.** **17-03**

(52) **U.S. Cl.**

USPC **D17/21**

(58) **Field of Classification Search**

USPC 84/725, 726, 727, 742, 746; D17/20, 21

CPC G10H 3/00; G10H 3/12; G10H 3/14;

G10H 3/18; G10H 3/181

See application file for complete search history.

(56) **References Cited**

U.S. PATENT DOCUMENTS

5,894,101 A * 4/1999 Damm G10H 3/181

84/723

D555,715 S * 11/2007 Butler D17/20

* cited by examiner

Primary Examiner — Thomas Johannes

Assistant Examiner — S. Bryan Reinholdt, Jr.

(74) *Attorney, Agent, or Firm* — Cantor Colburn LLP

(57) **CLAIM**

The ornamental design for a pickup for guitar, as shown and described.

DESCRIPTION

FIG. 1 is a front side perspective view of a pickup for guitar showing my new design;

FIG. 2 is a rear side perspective view thereof.

FIG. 3 is a front elevation view thereof;

FIG. 4 is a rear elevation view thereof;

FIG. 5 is a left side elevation view thereof;

FIG. 6 is a right side elevation view thereof;

FIG. 7 is a top plan view thereof; and,

FIG. 8 is a bottom plan view thereof.

The broken lines in the drawing views are included for the purpose of illustrating the unclaimed portions of the pickup for guitar and form no part of the claimed design.

1 Claim, 6 Drawing Sheets

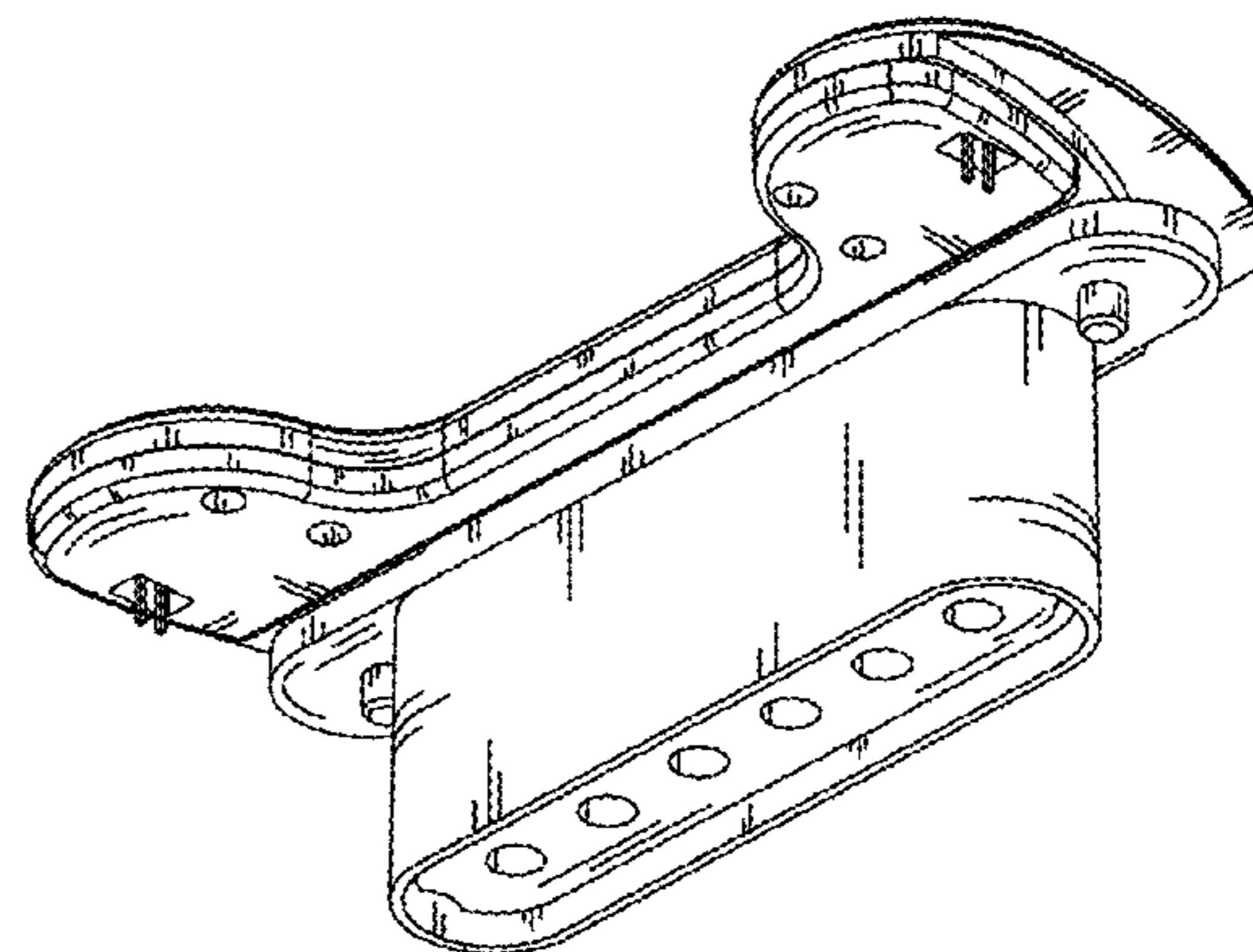
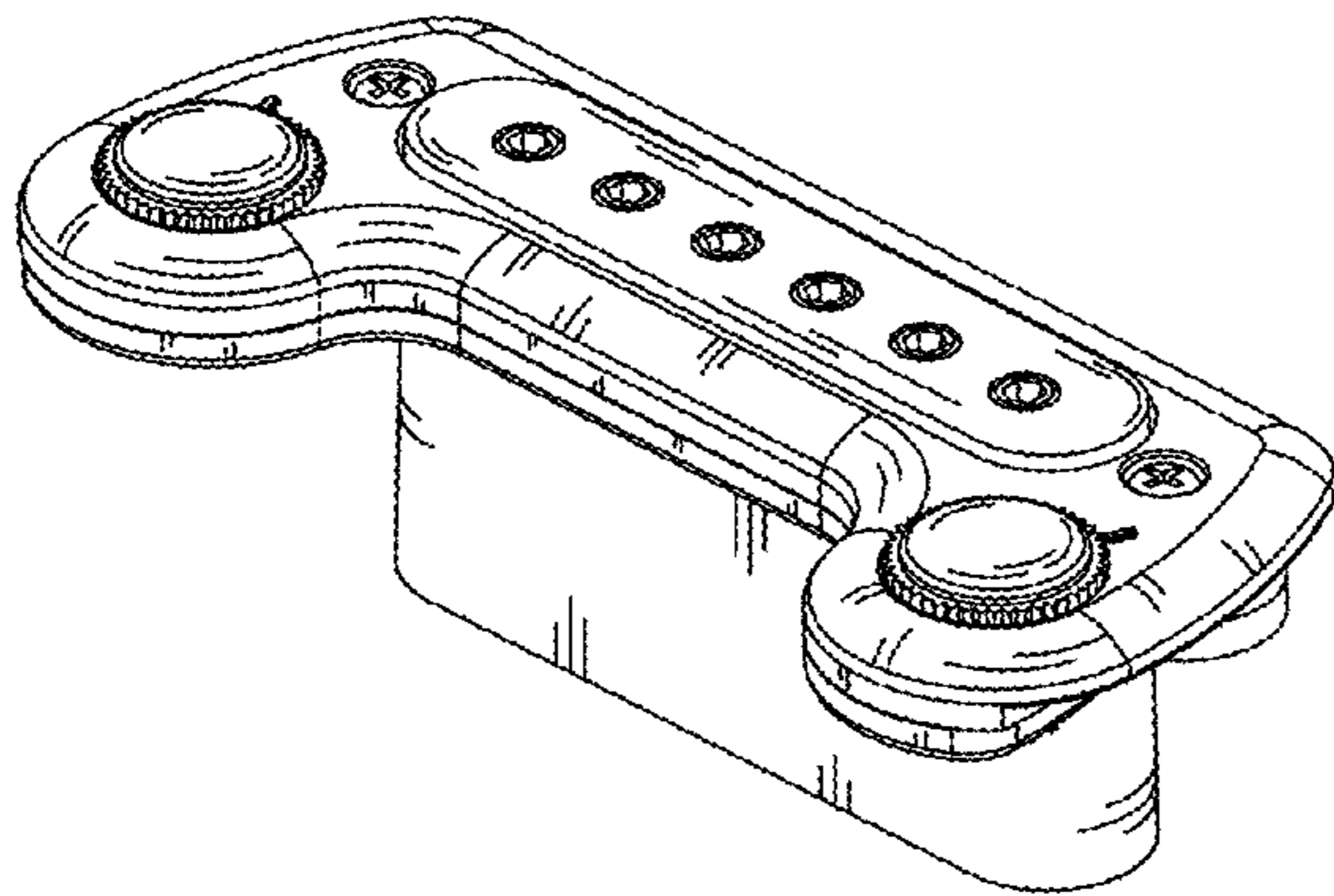


FIG. 1

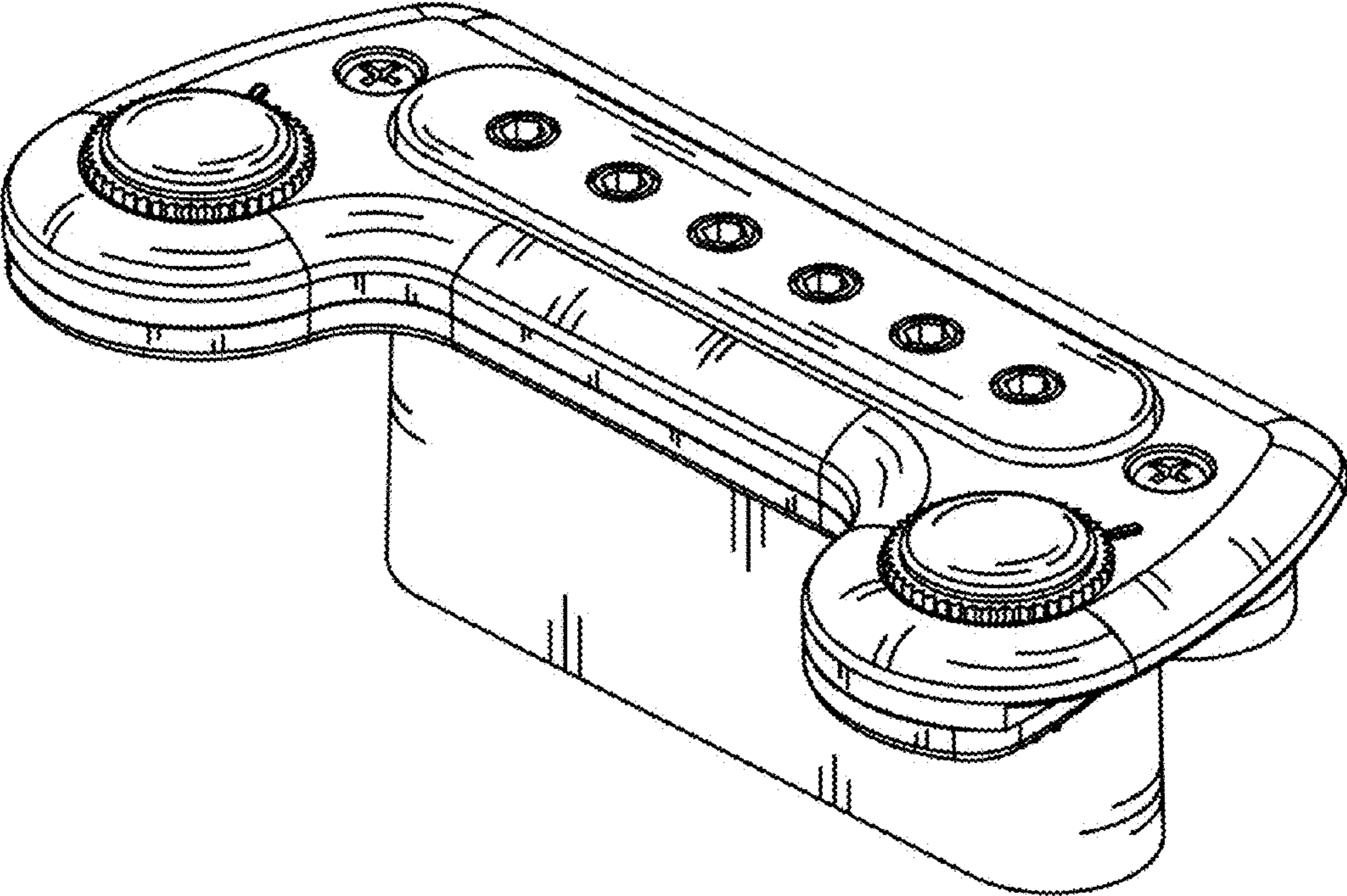


FIG. 2

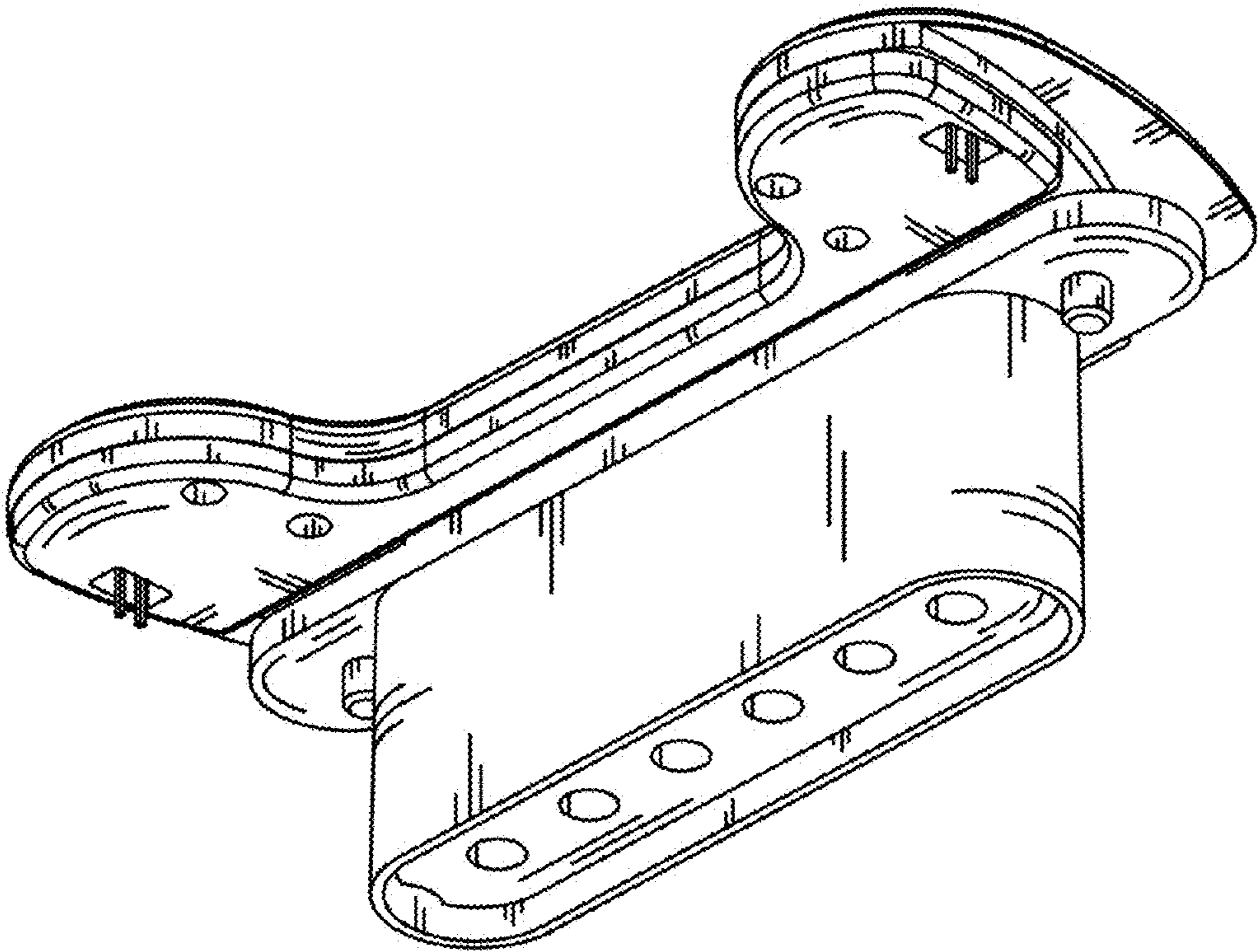


FIG. 3

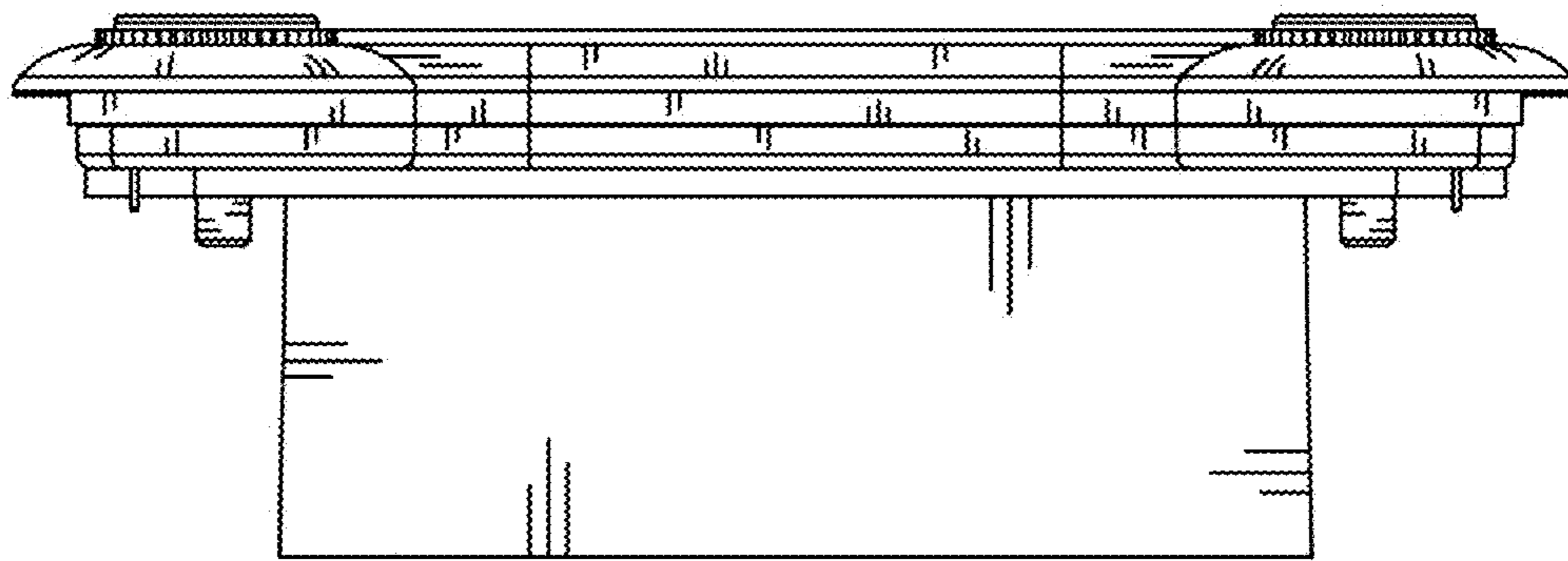


FIG. 4

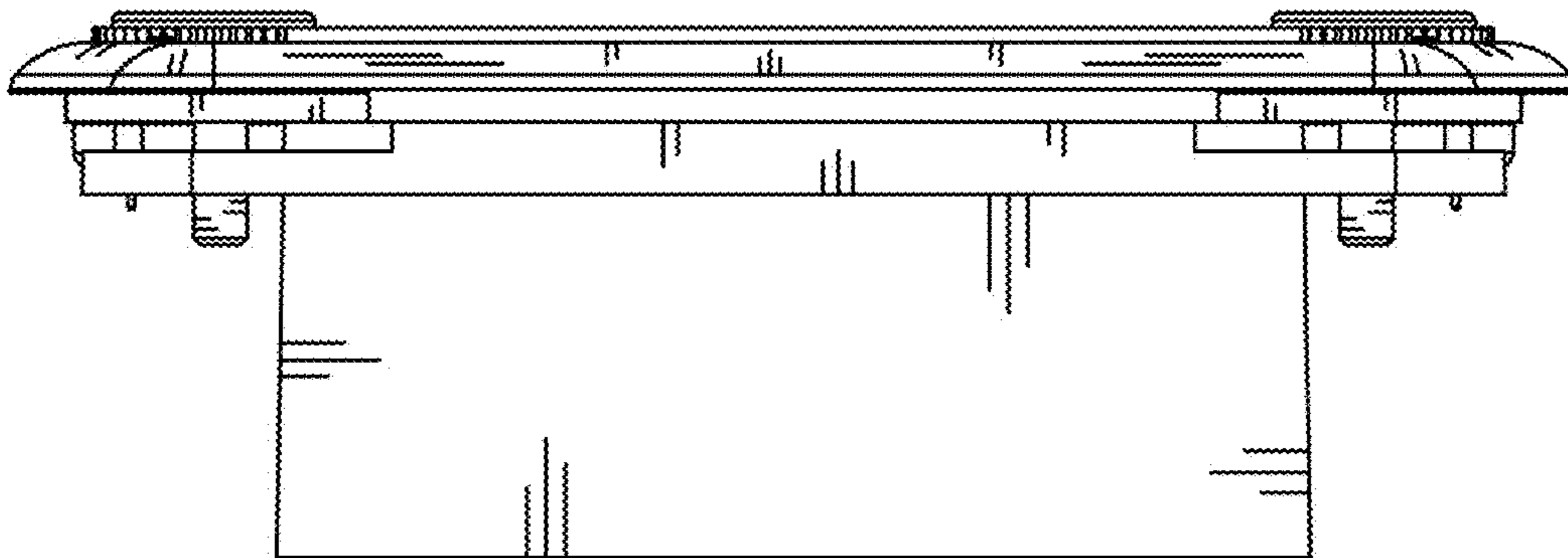


FIG. 5

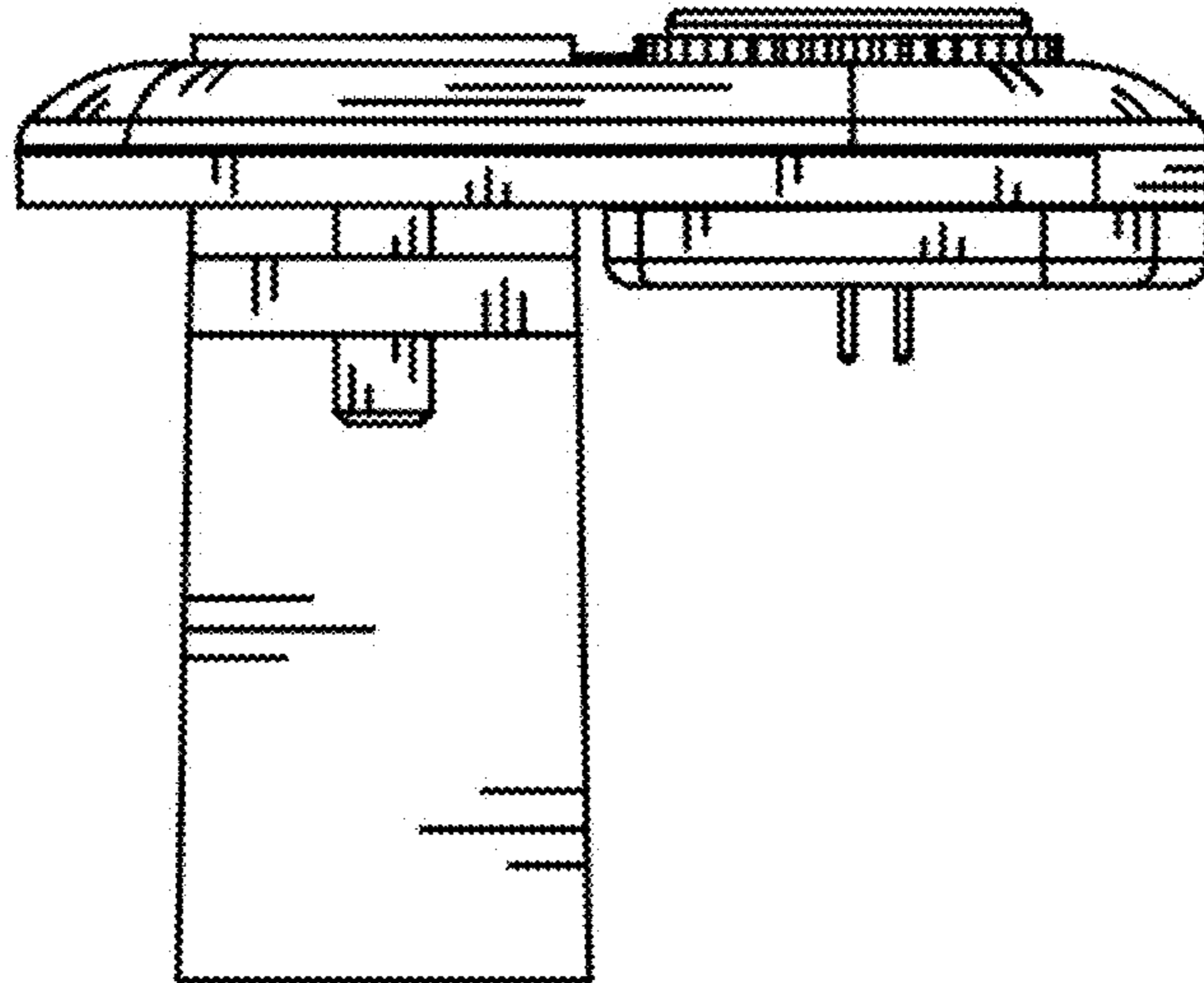


FIG. 6

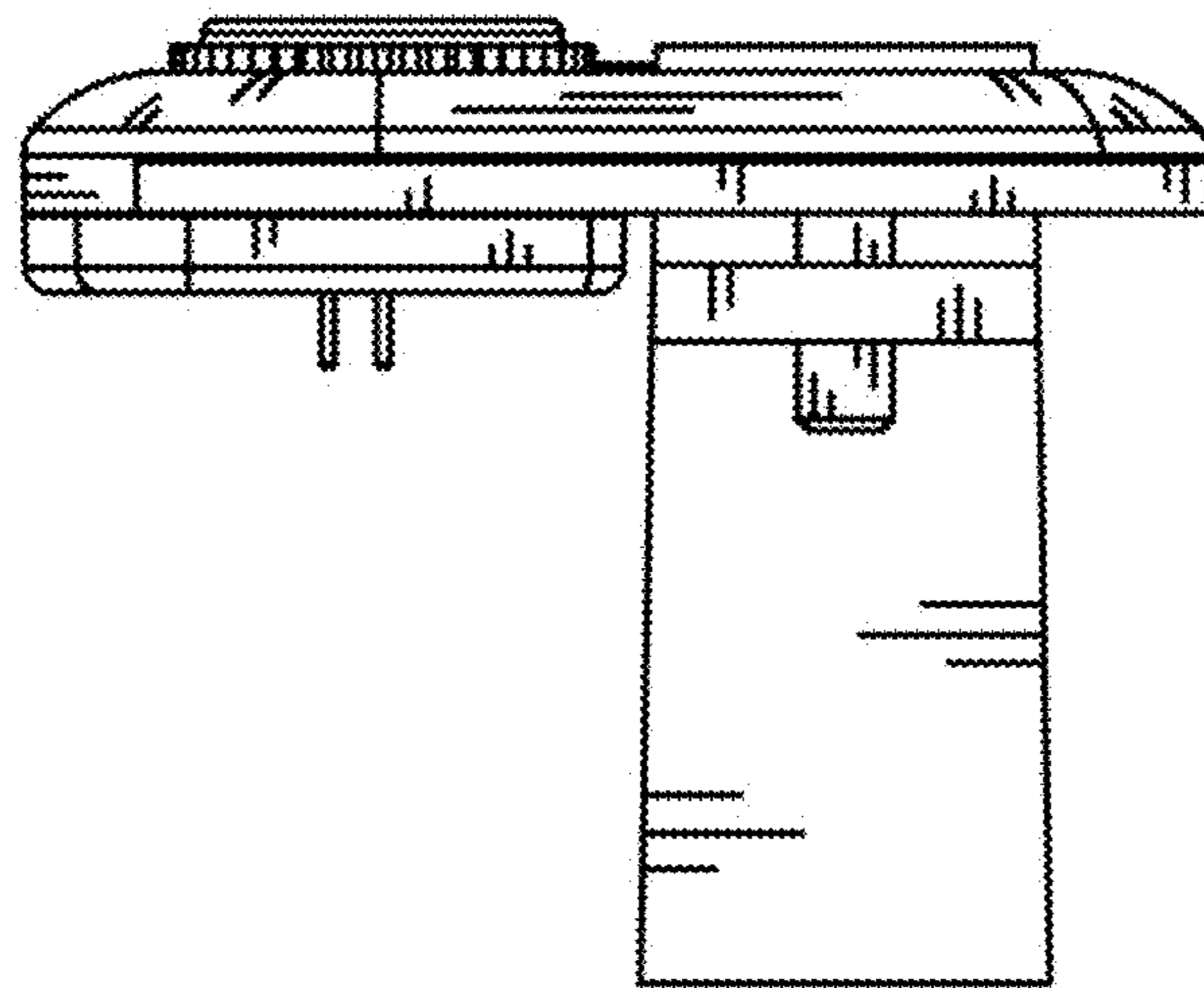


FIG. 7

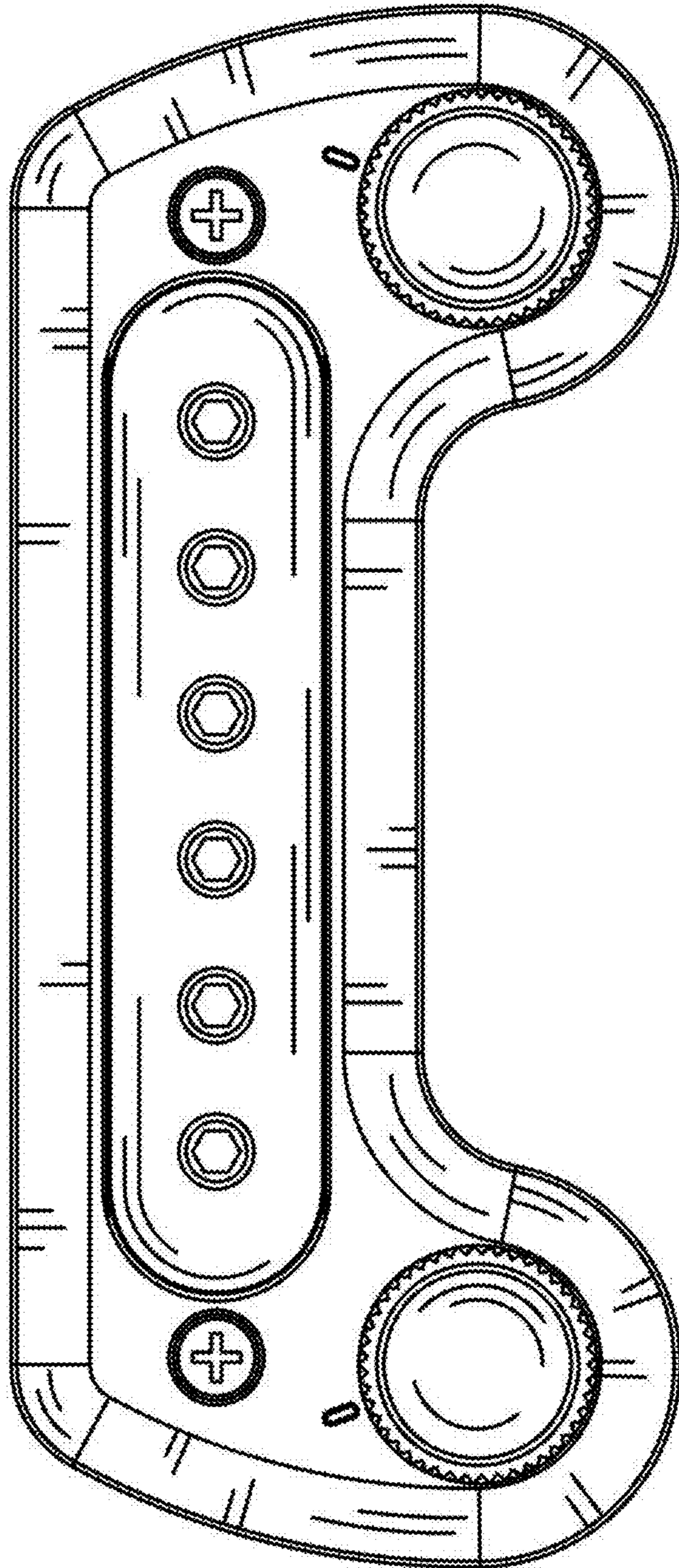


FIG. 8

