



US00D768228S

(12) **United States Design Patent**
Muhlenkamp, IV et al.

(10) **Patent No.:** **US D768,228 S**
(45) **Date of Patent:** **** Oct. 4, 2016**

(54) **MULTI-CAMERA RIG**
(71) Applicant: **GoPro, Inc.**, San Mateo, CA (US)
(72) Inventors: **John George Muhlenkamp, IV**,
Brisbane, CA (US); **Huy Phuong**
Nguyen, San Mateo, CA (US); **Richard**
Gioscia, Santa Clara, CA (US); **Quinn**
Jerome Odette Fitzgerald, San
Francisco, CA (US)

(73) Assignee: **GoPro, Inc.**, San Mateo, CA (US)

(**) Term: **15 Years**

(21) Appl. No.: **29/547,039**

(22) Filed: **Nov. 30, 2015**

(51) **LOC (10) Cl.** **16-05**

(52) **U.S. Cl.**
USPC **D16/242**; D16/207

(58) **Field of Classification Search**
USPC D16/237, 242-245, 202, 203, 241, 207;
D8/354, 355, 363; 396/419, 420, 428;
D12/114, 223
CPC F16M 11/14; F16M 11/041; F16M 11/04;
F16M 11/2078; F16M 11/28; F16M 11/2021;
F16M 11/12; F16M 11/10; F16M 2200/022;
F16M 2200/027; F16M 13/00; F16M 13/02;
F16M 13/022; G03B 17/561; G03B 17/566;
G03B 17/563; G03B 2215/056; B60R
2011/0059; B60R 2011/008; B60R 11/02
See application file for complete search history.

(56) **References Cited**

U.S. PATENT DOCUMENTS

D676,891 S * 2/2013 Fairburn D16/242
D676,892 S * 2/2013 Fairburn D16/242

D745,076 S * 12/2015 Pfeil D16/207
2006/0071134 A1 * 4/2006 Dent F16M 11/12
248/274.1
2014/0153916 A1 * 6/2014 Kintner G03B 17/561
396/419
2015/0316835 A1 * 11/2015 Scott G03B 17/561
396/419

* cited by examiner

Primary Examiner — Susan Bennett Hattan

Assistant Examiner — Brett Miller

(74) *Attorney, Agent, or Firm* — Fenwick & West LLP

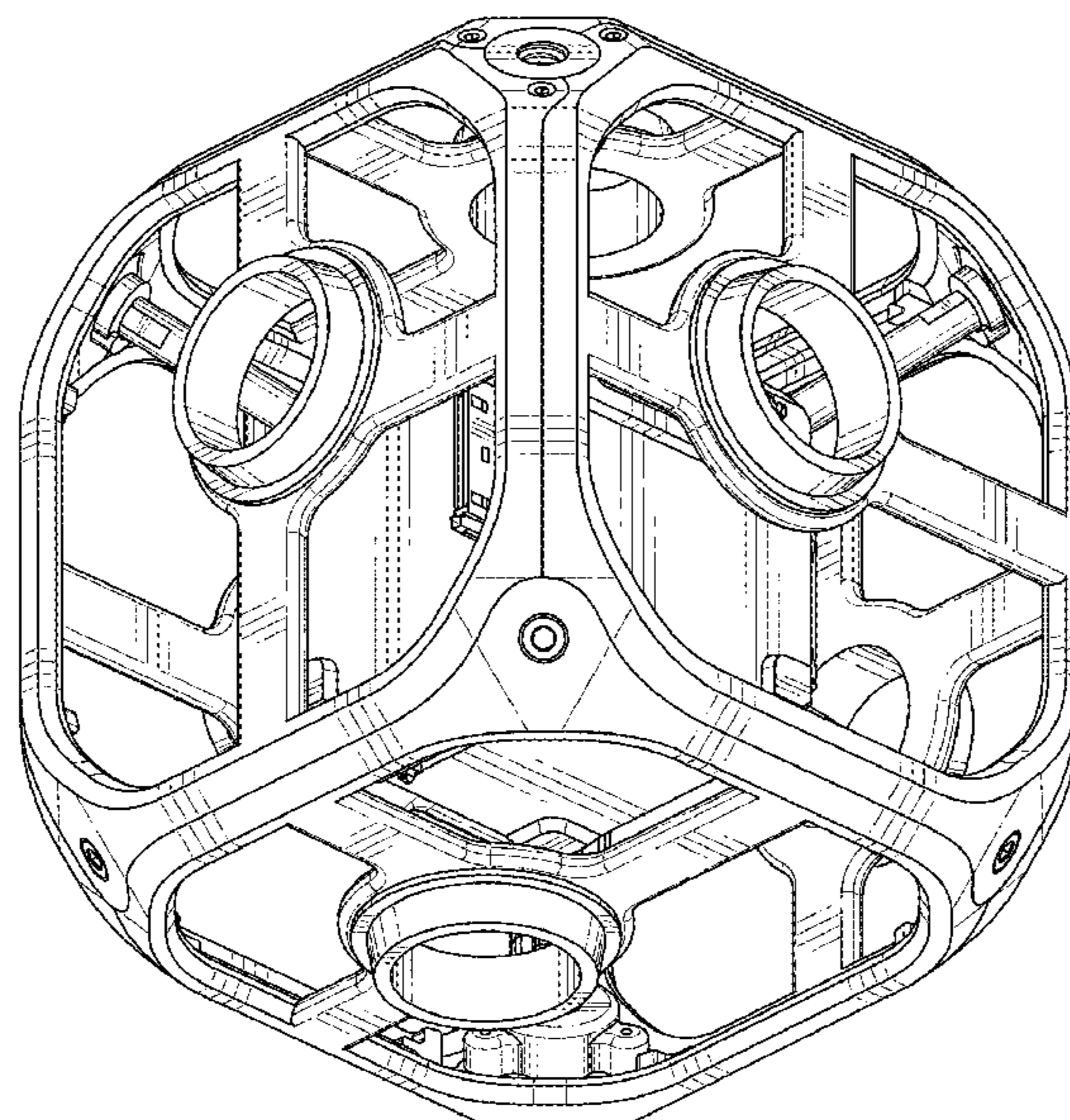
(57) **CLAIM**

The ornamental design for a multi-camera rig, as shown and described.

DESCRIPTION

FIG. 1 is a front, bottom, perspective view of a first embodiment of a multi-camera rig;
FIG. 2 is a front, top, perspective view thereof;
FIG. 3 is a front view thereof;
FIG. 4 is a rear view thereof;
FIG. 5 is a top view thereof;
FIG. 6 is a bottom view thereof;
FIG. 7 is a left view thereof;
FIG. 8 is a right view thereof;
FIG. 9 is a front, bottom, perspective view of a second embodiment of a multi-camera rig;
FIG. 10 is a front, top, perspective view thereof;
FIG. 11 is a front view thereof;
FIG. 12 is a rear view thereof;
FIG. 13 is a top view thereof;
FIG. 14 is a bottom view thereof;
FIG. 15 is a left view thereof; and,
FIG. 16 is a right view thereof.

1 Claim, 16 Drawing Sheets



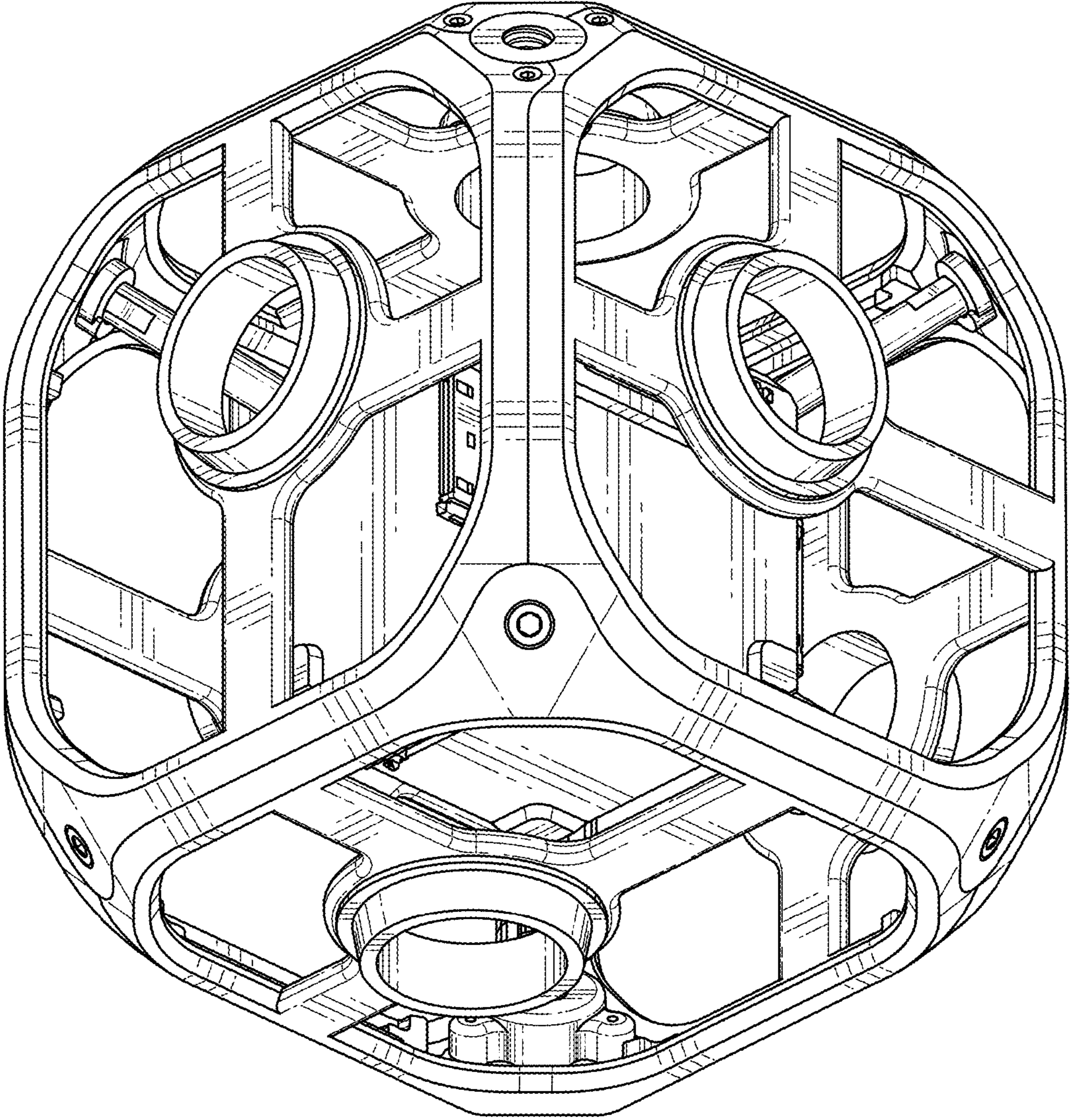


FIG. 1

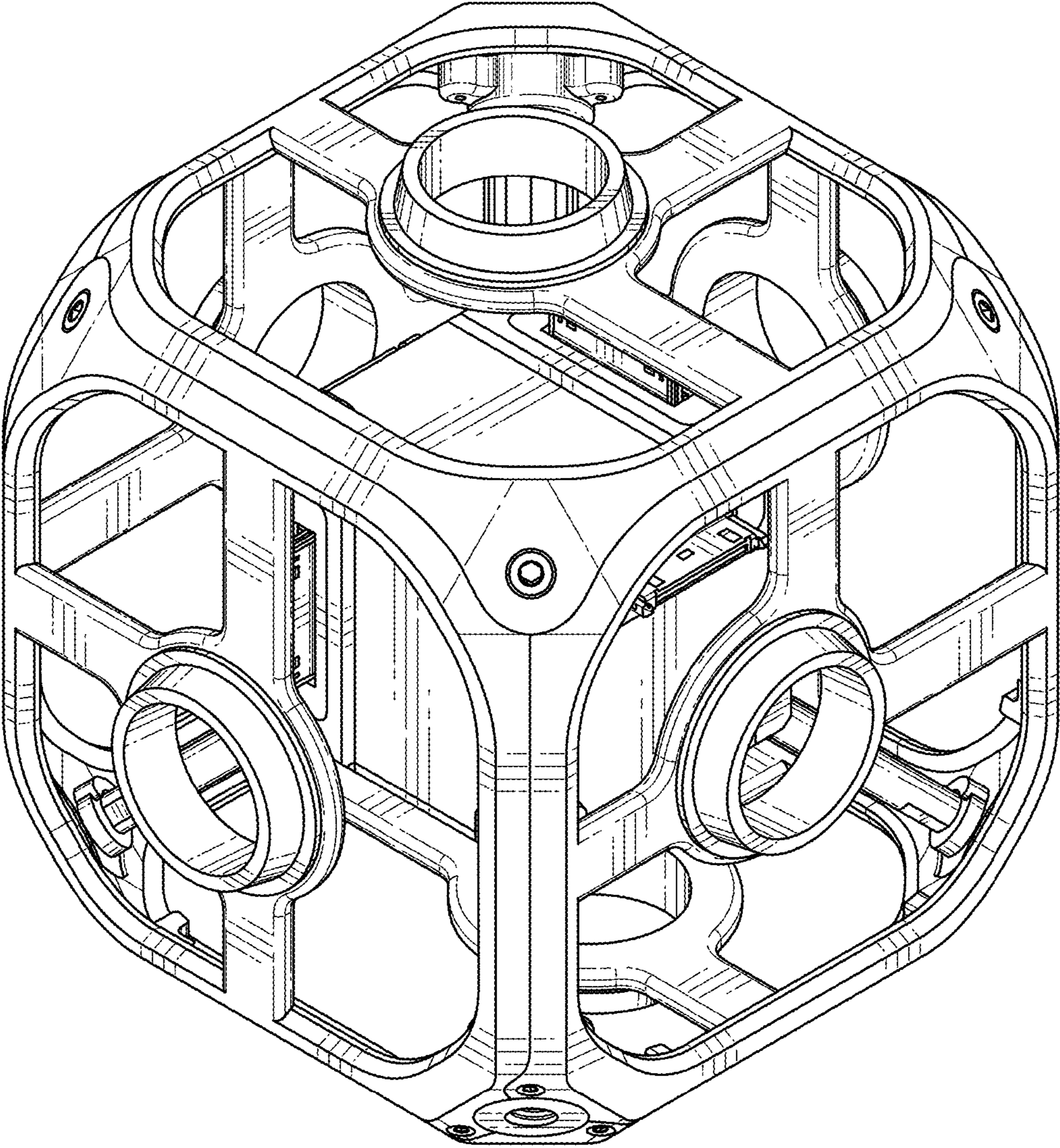


FIG. 2

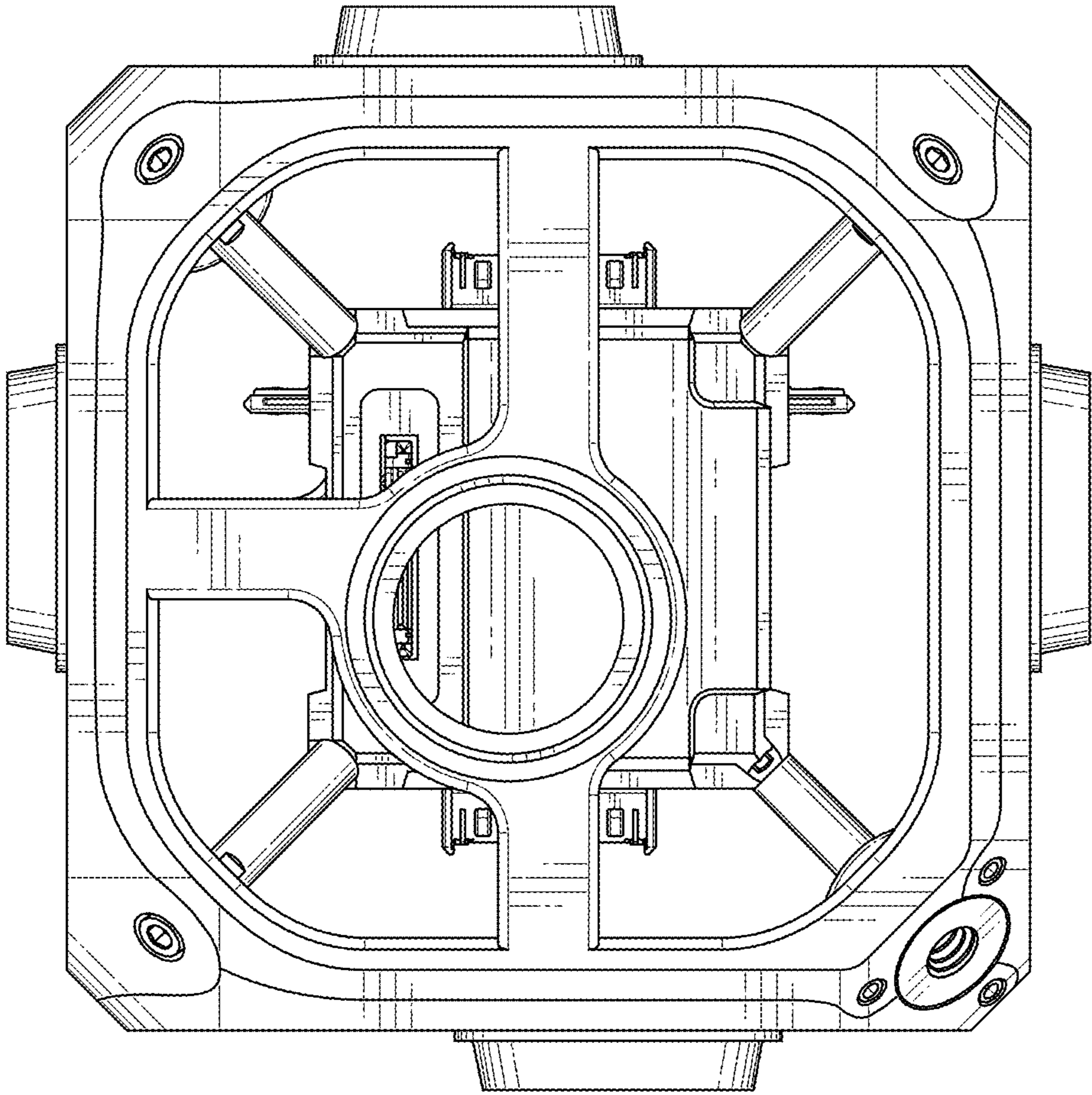


FIG. 3

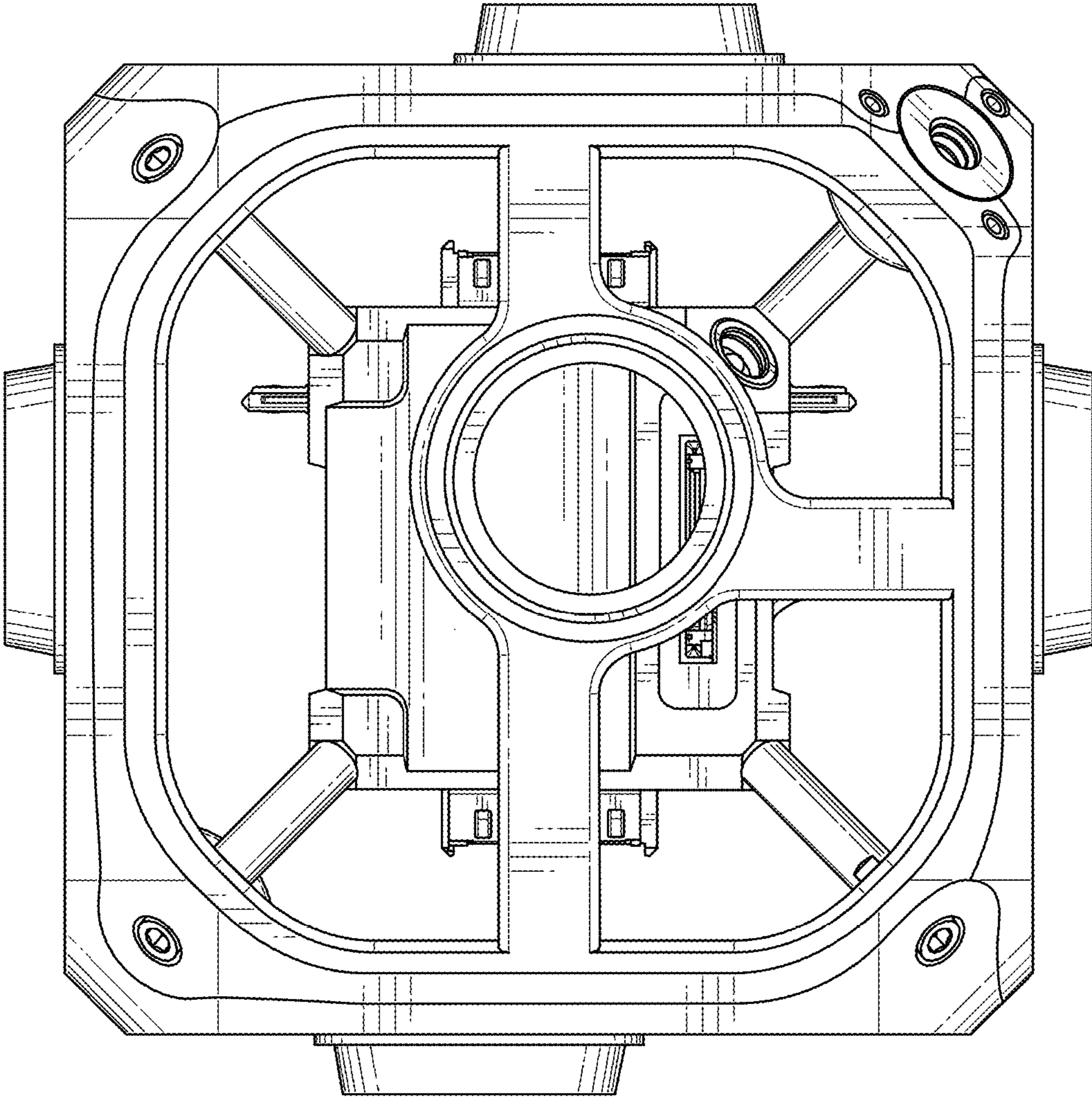


FIG. 4

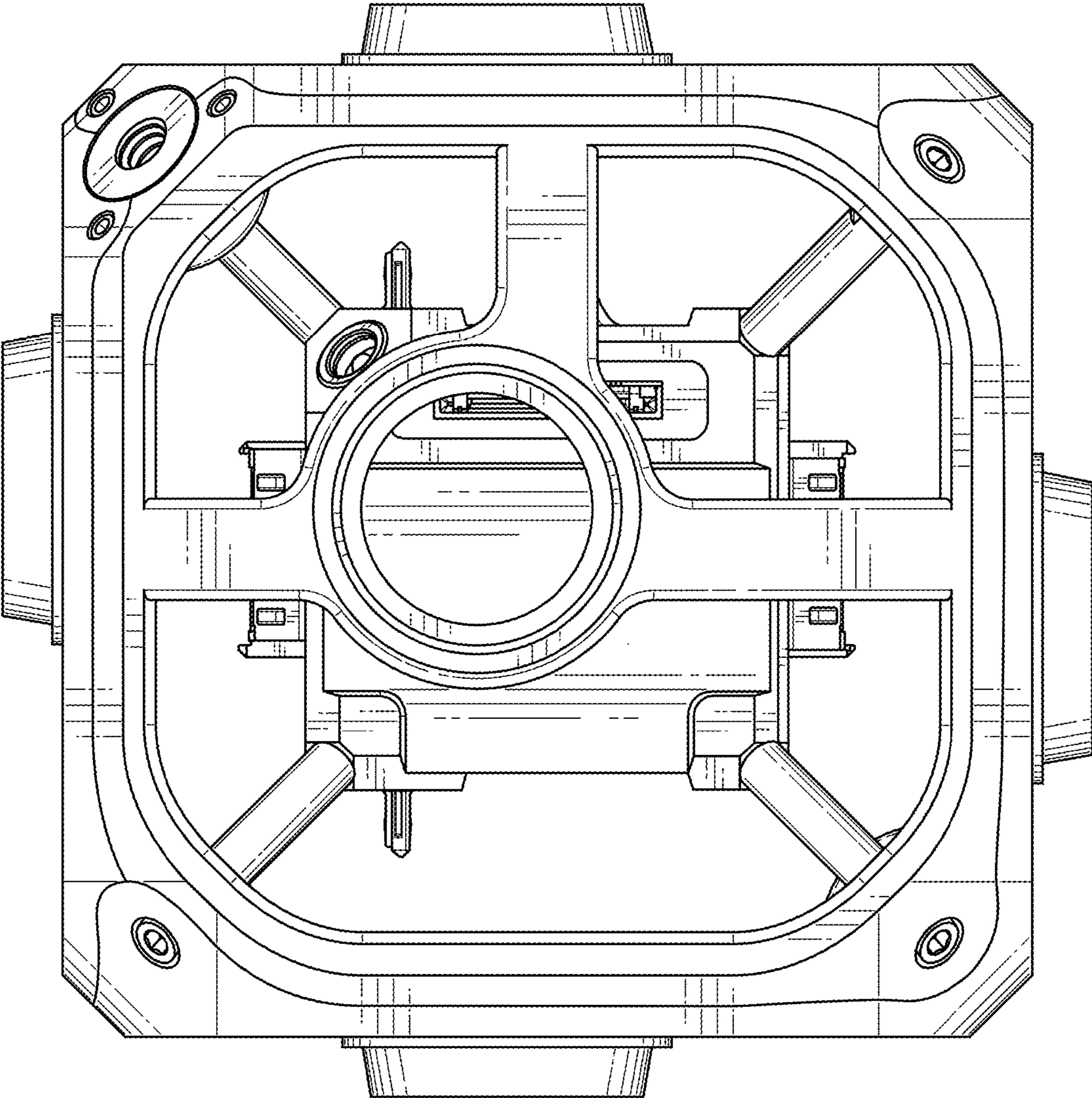


FIG. 5

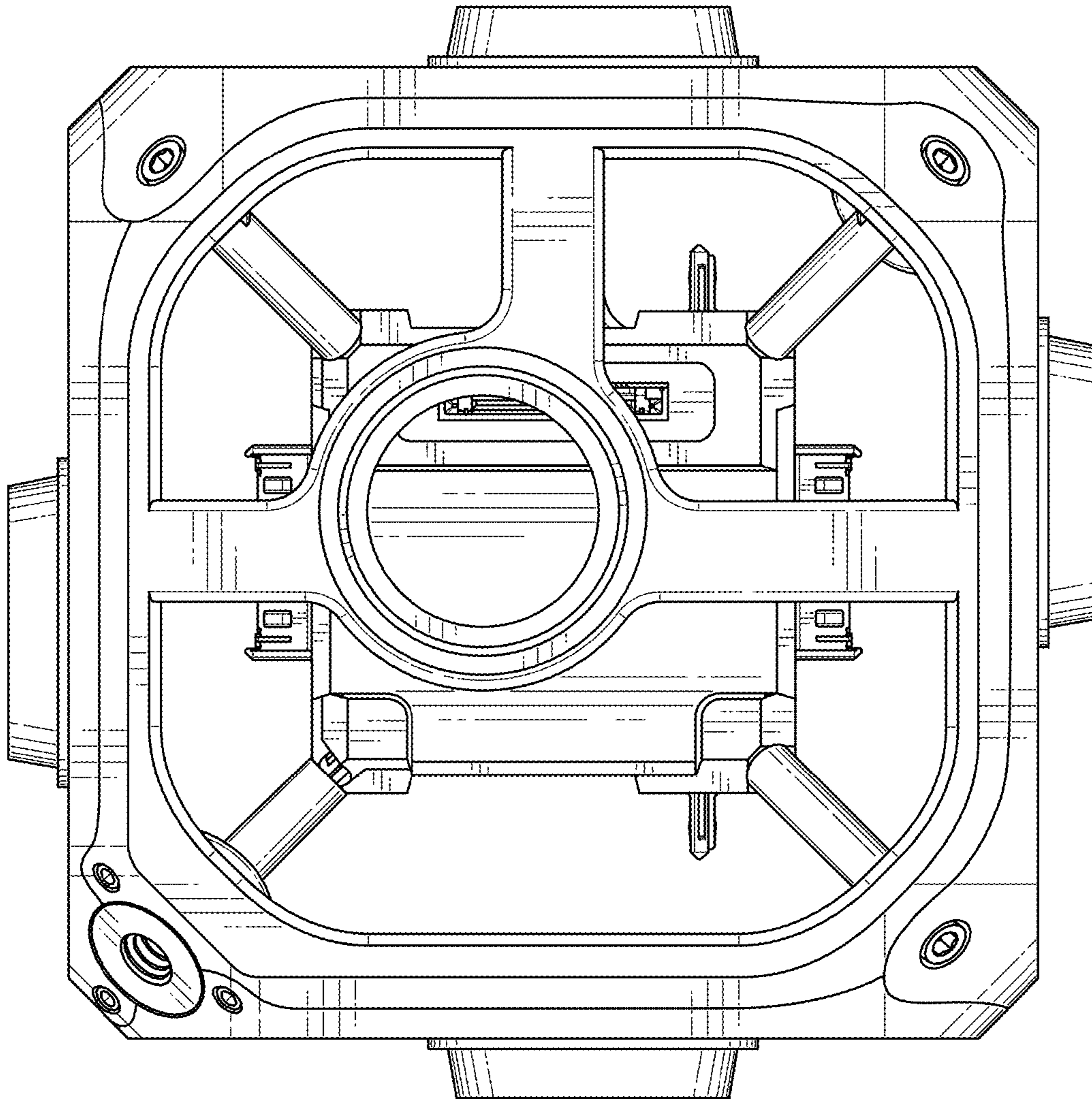


FIG. 6

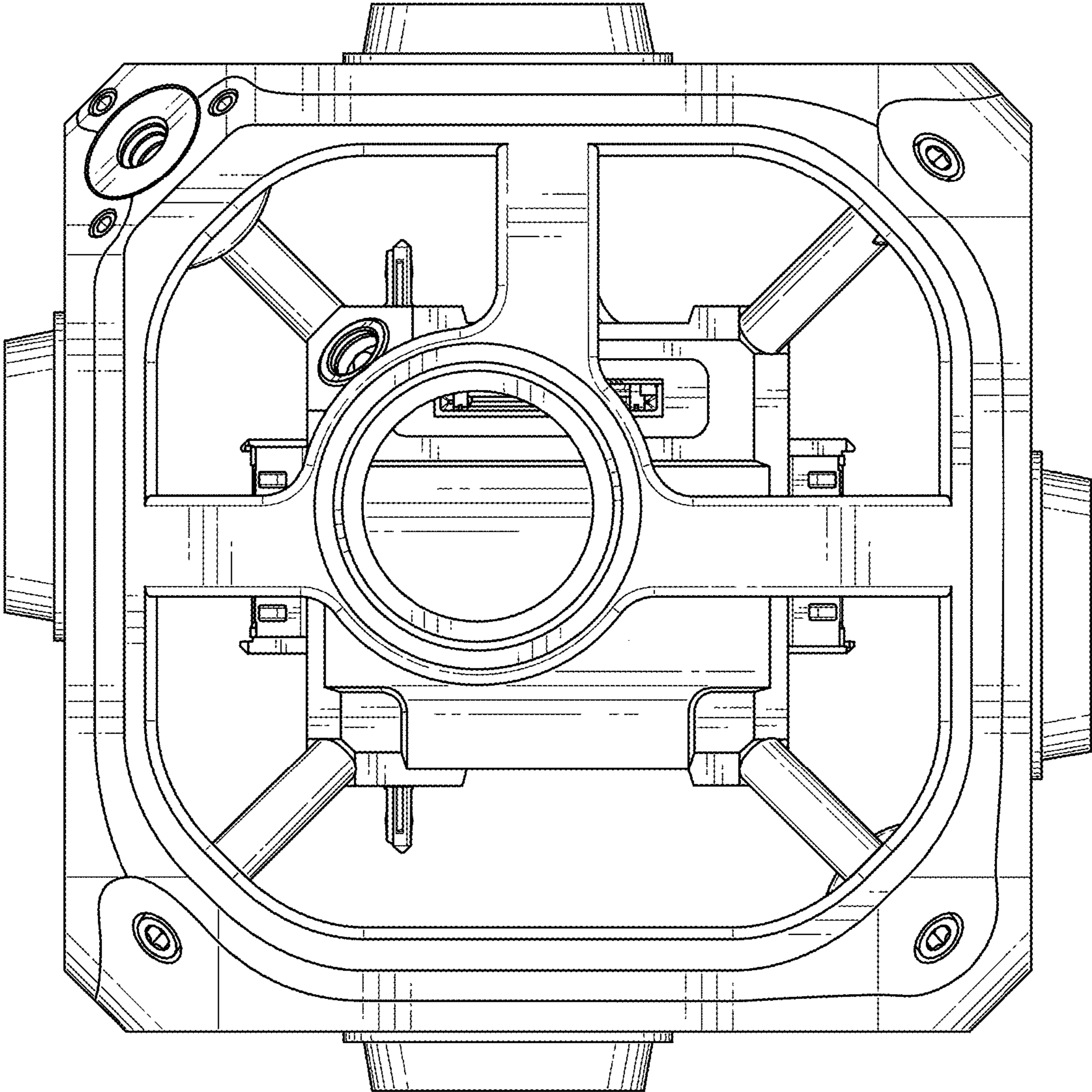


FIG. 7

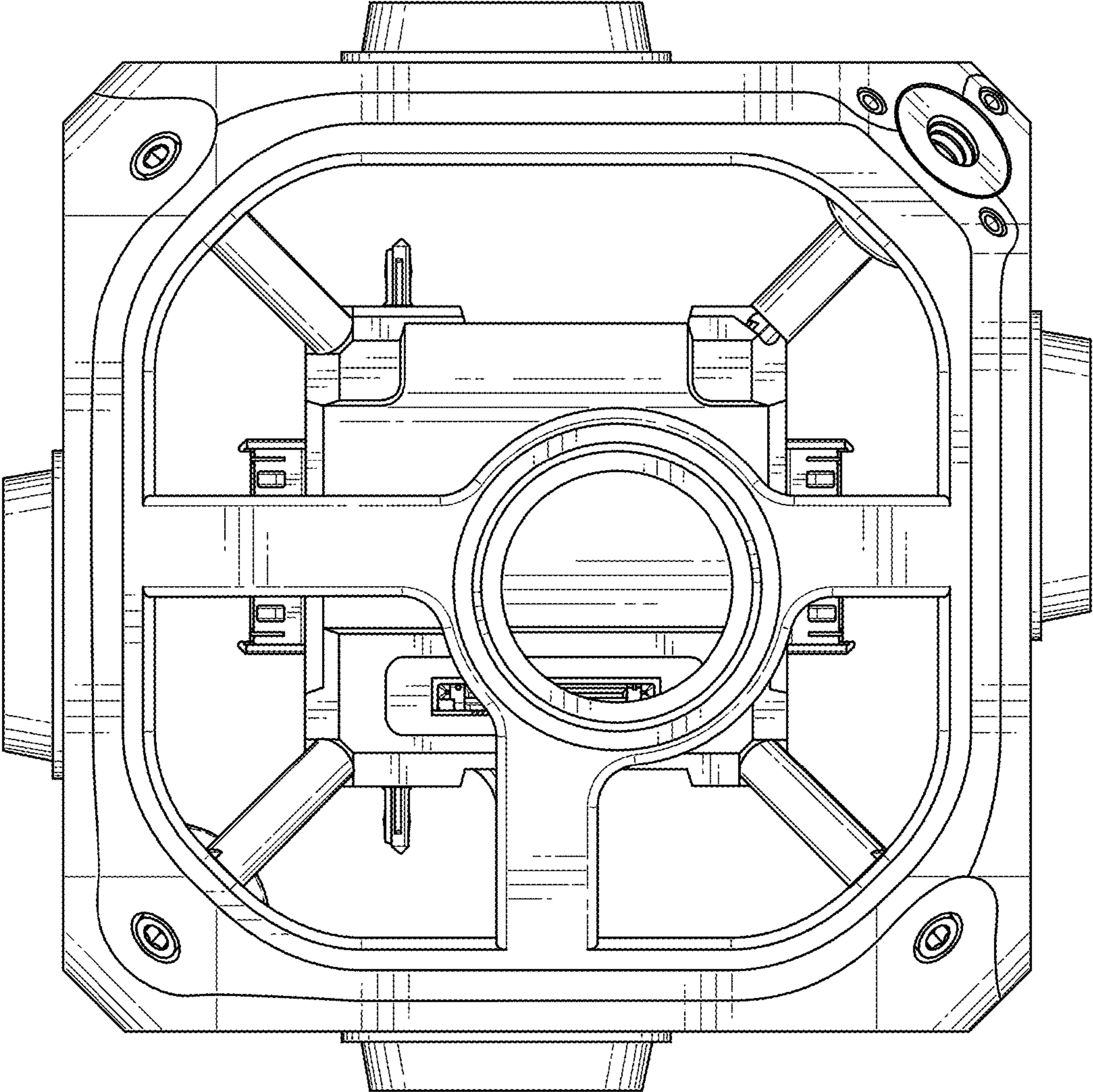


FIG. 8

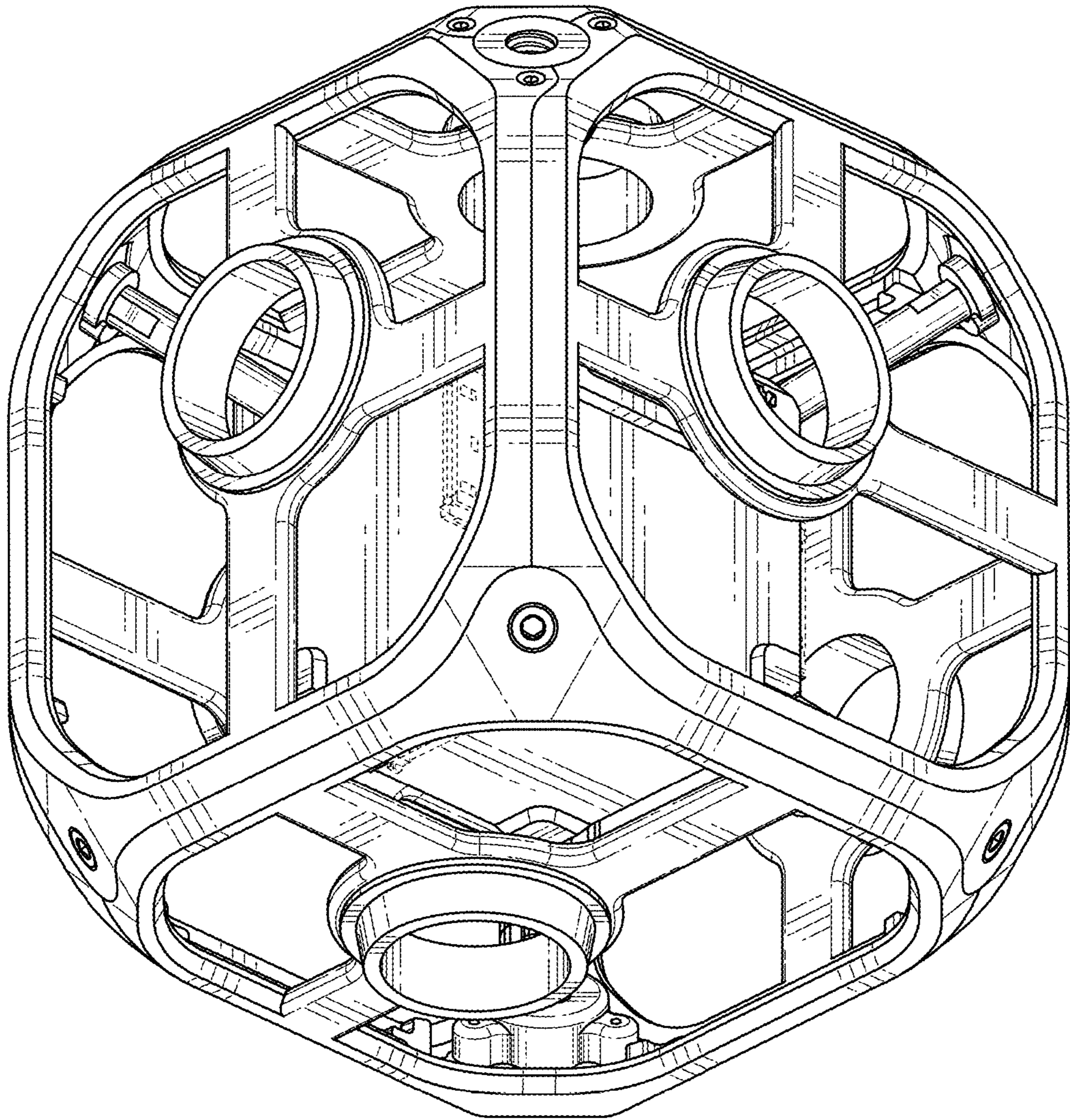


FIG. 9

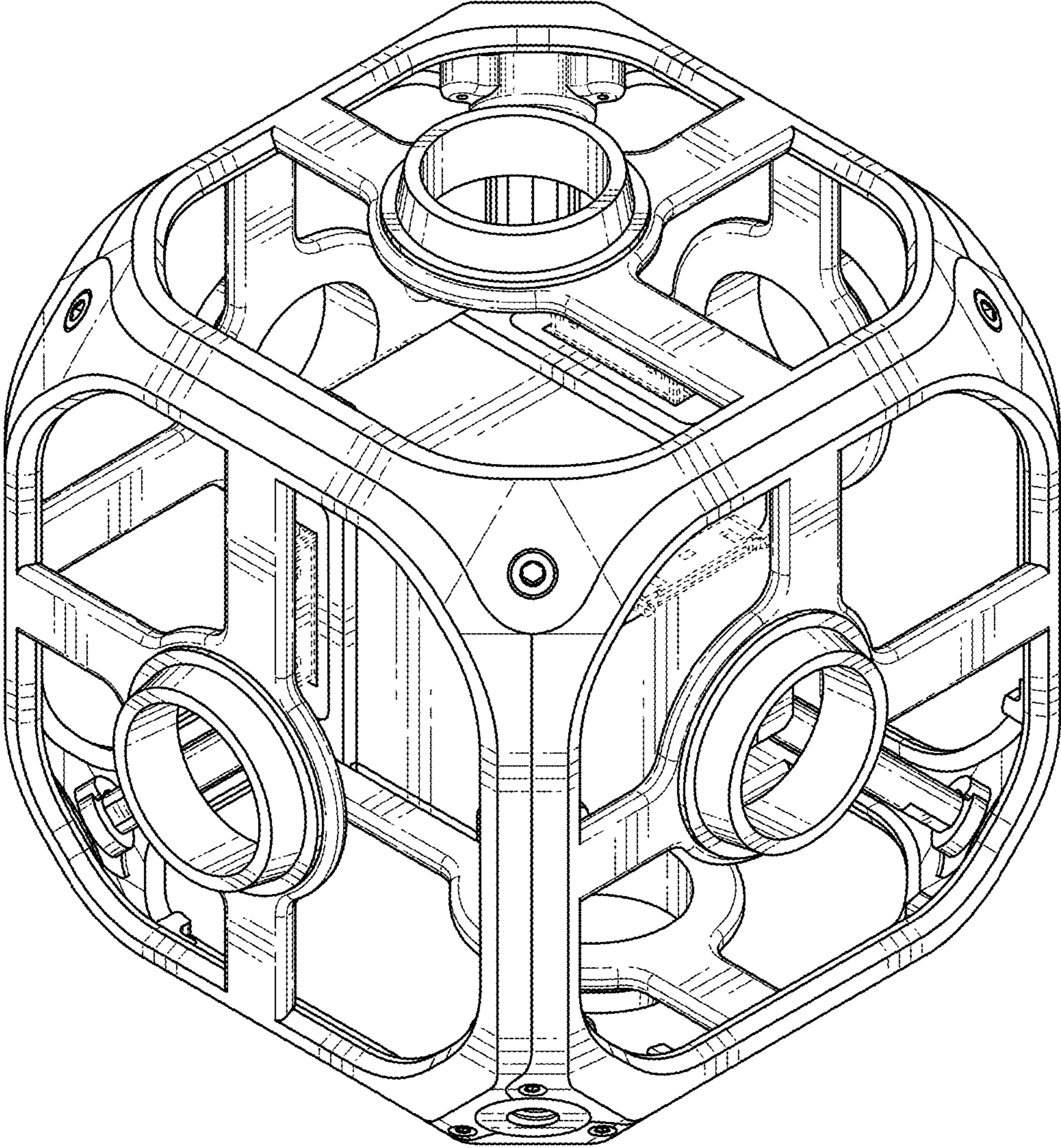


FIG. 10

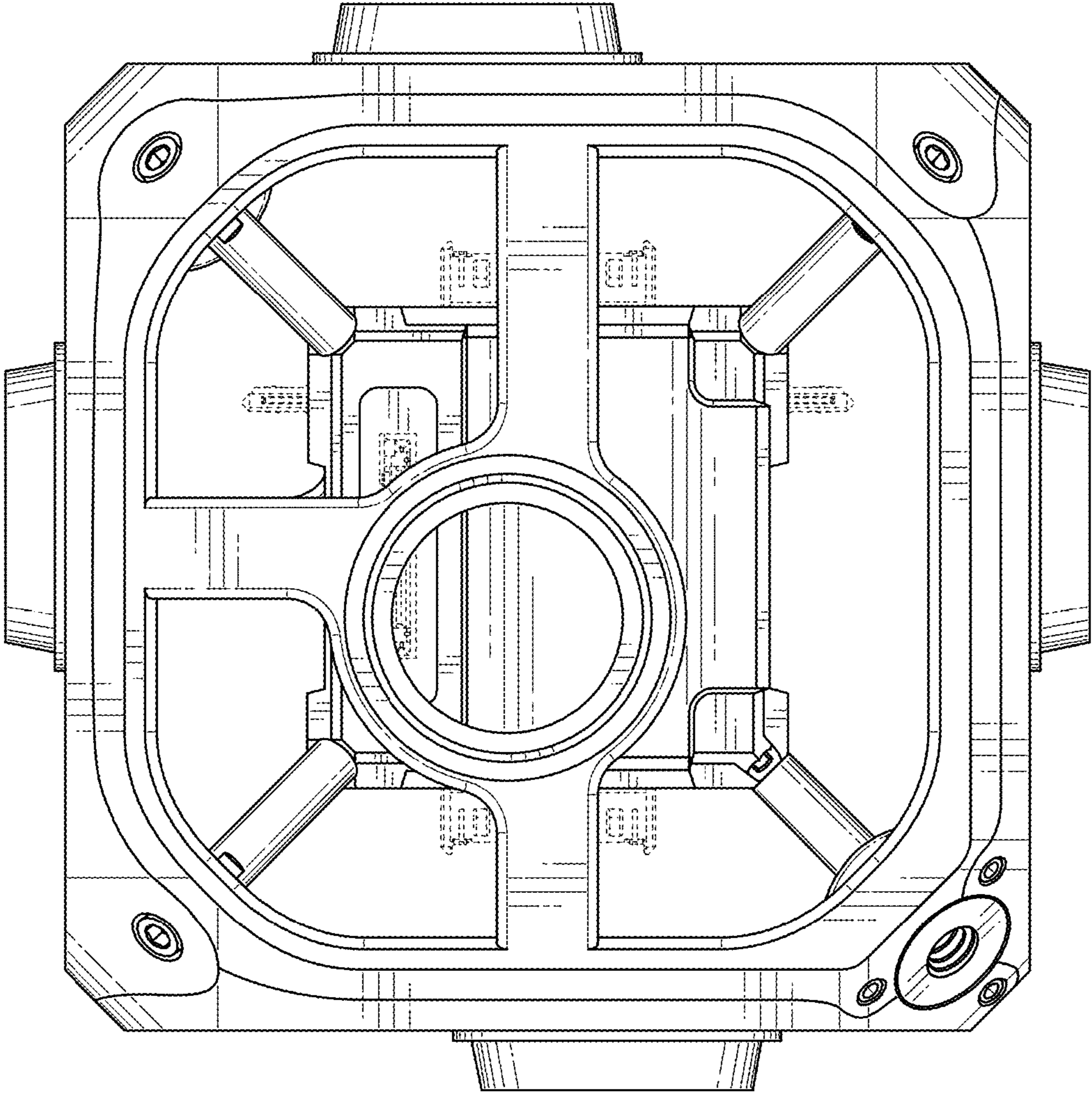


FIG. 11

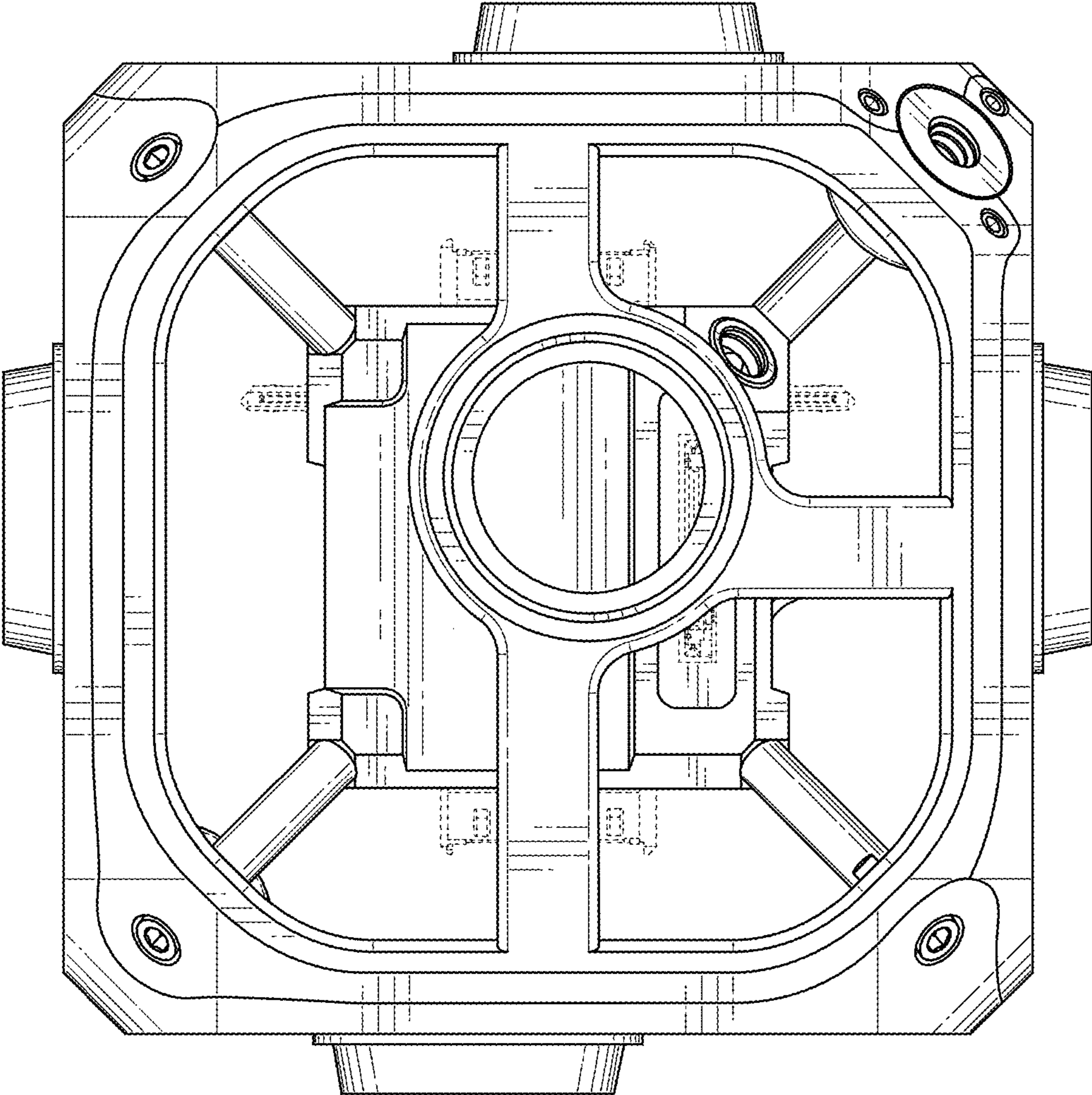


FIG. 12

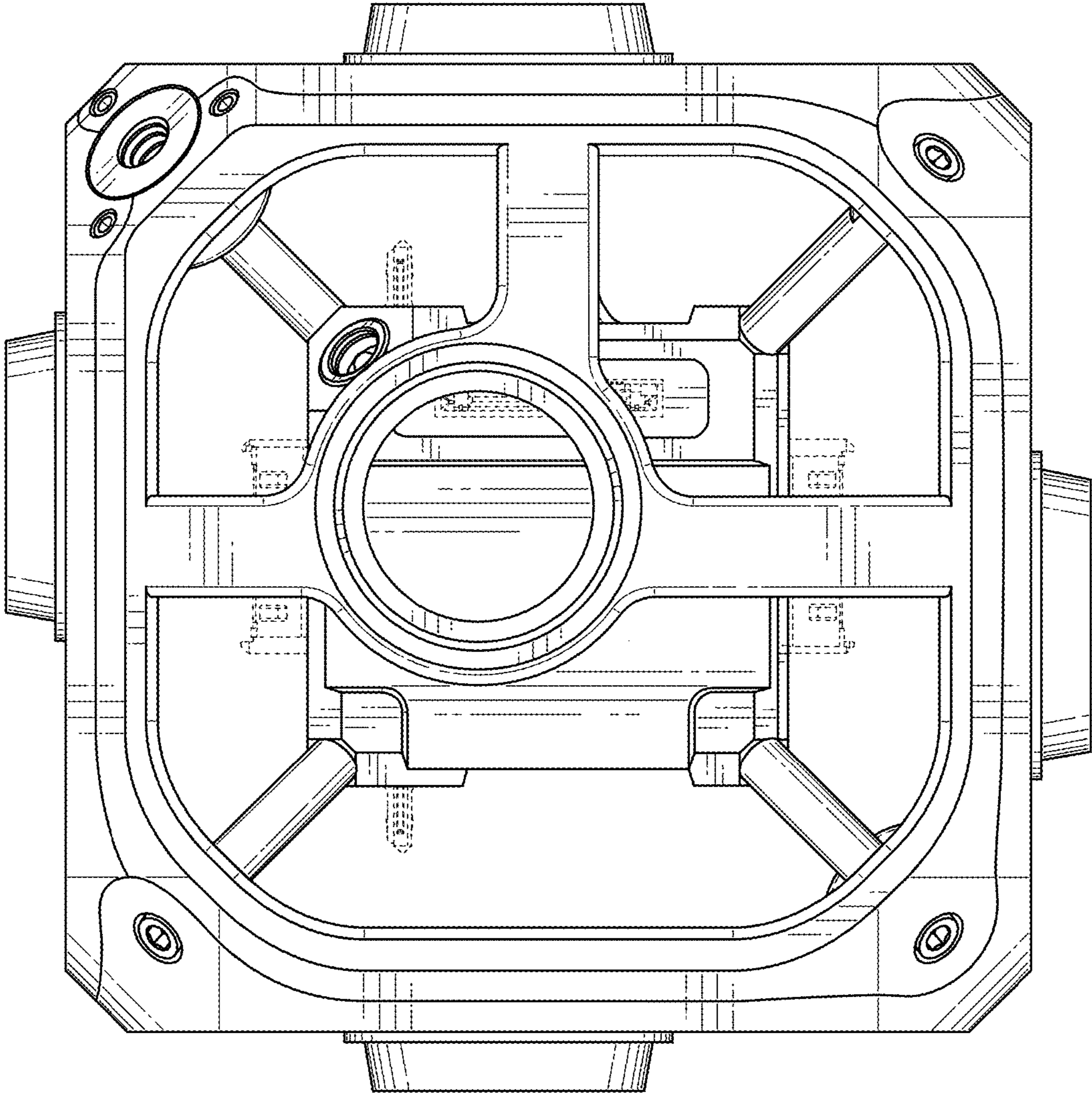


FIG. 13

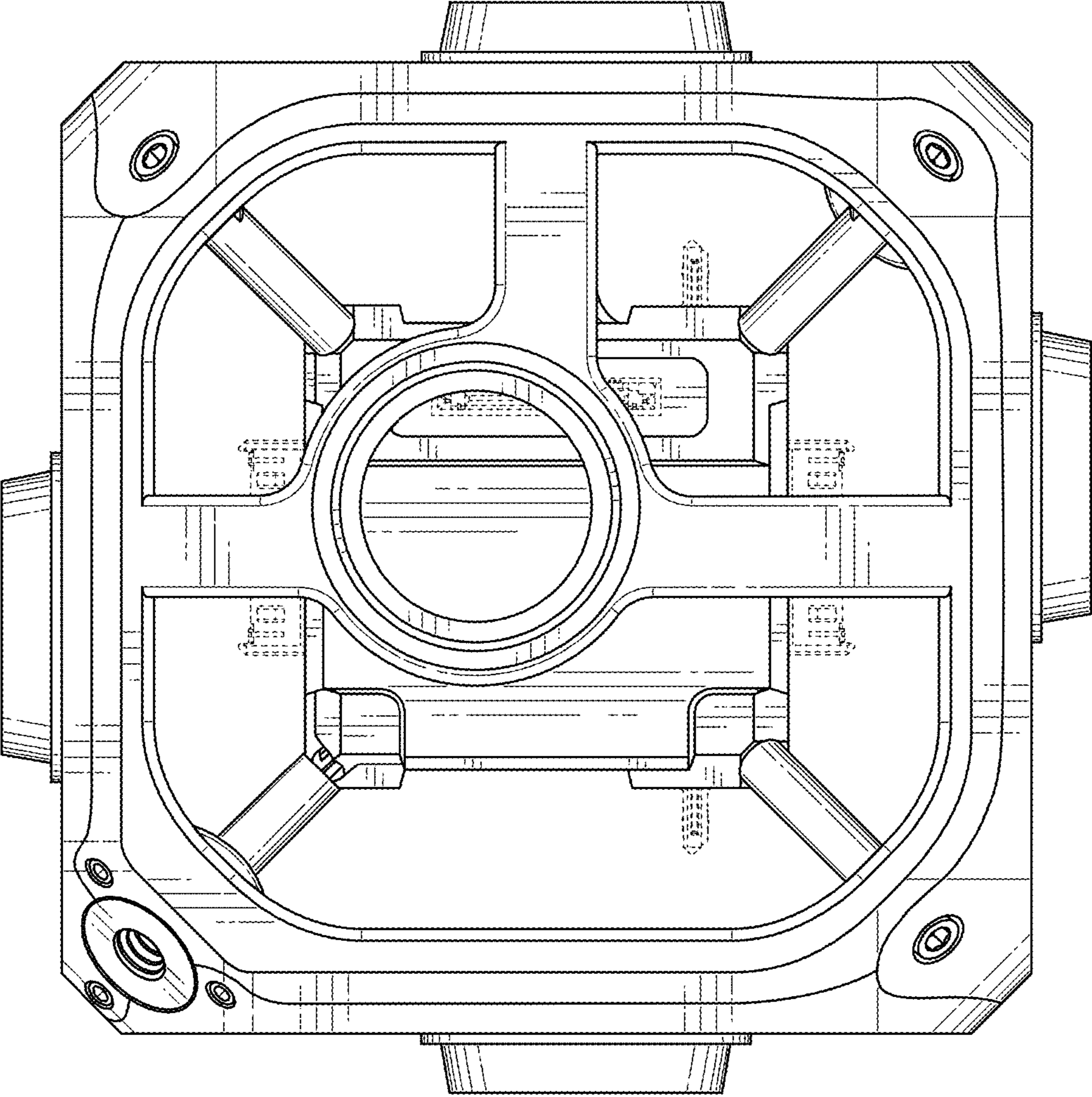


FIG. 14

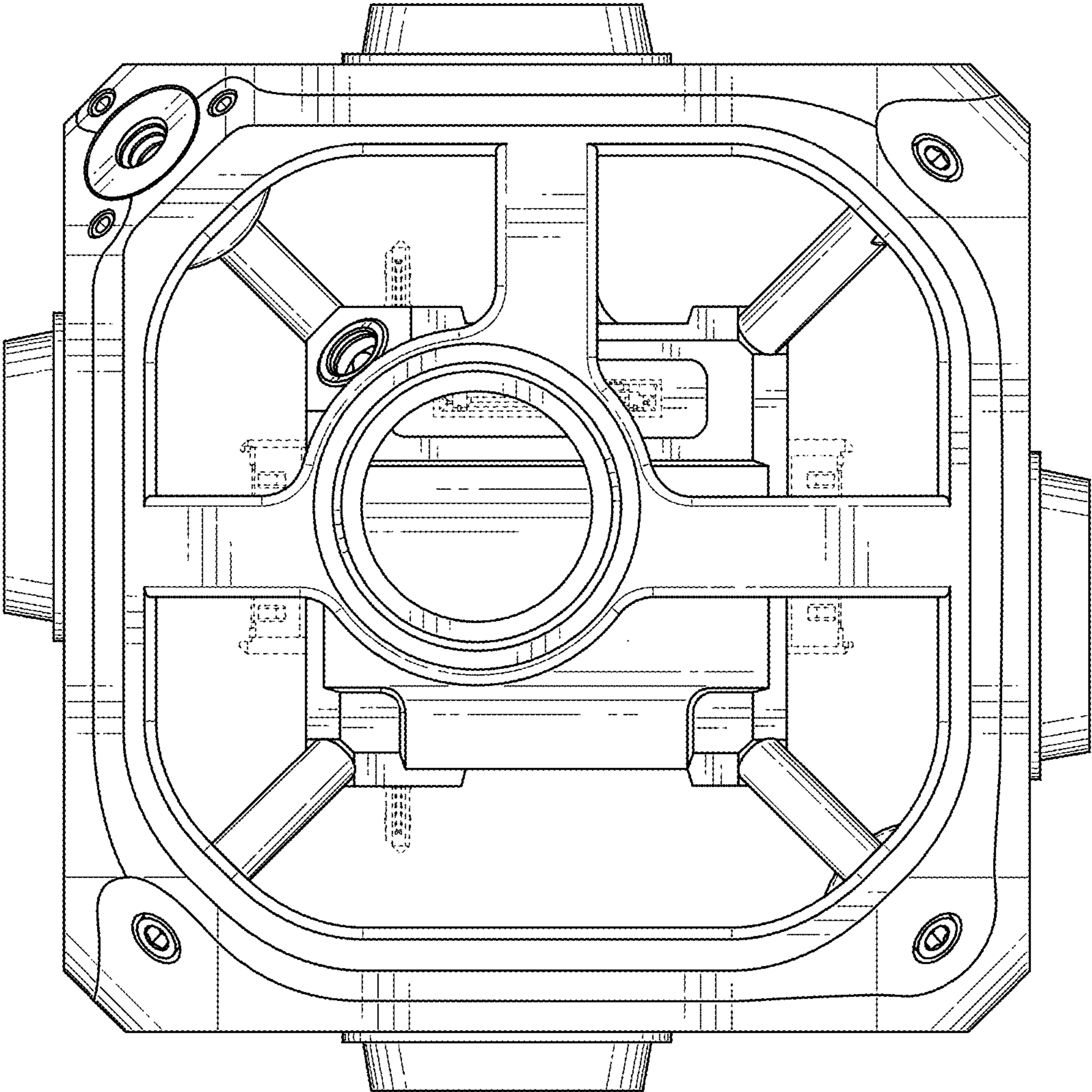


FIG. 15

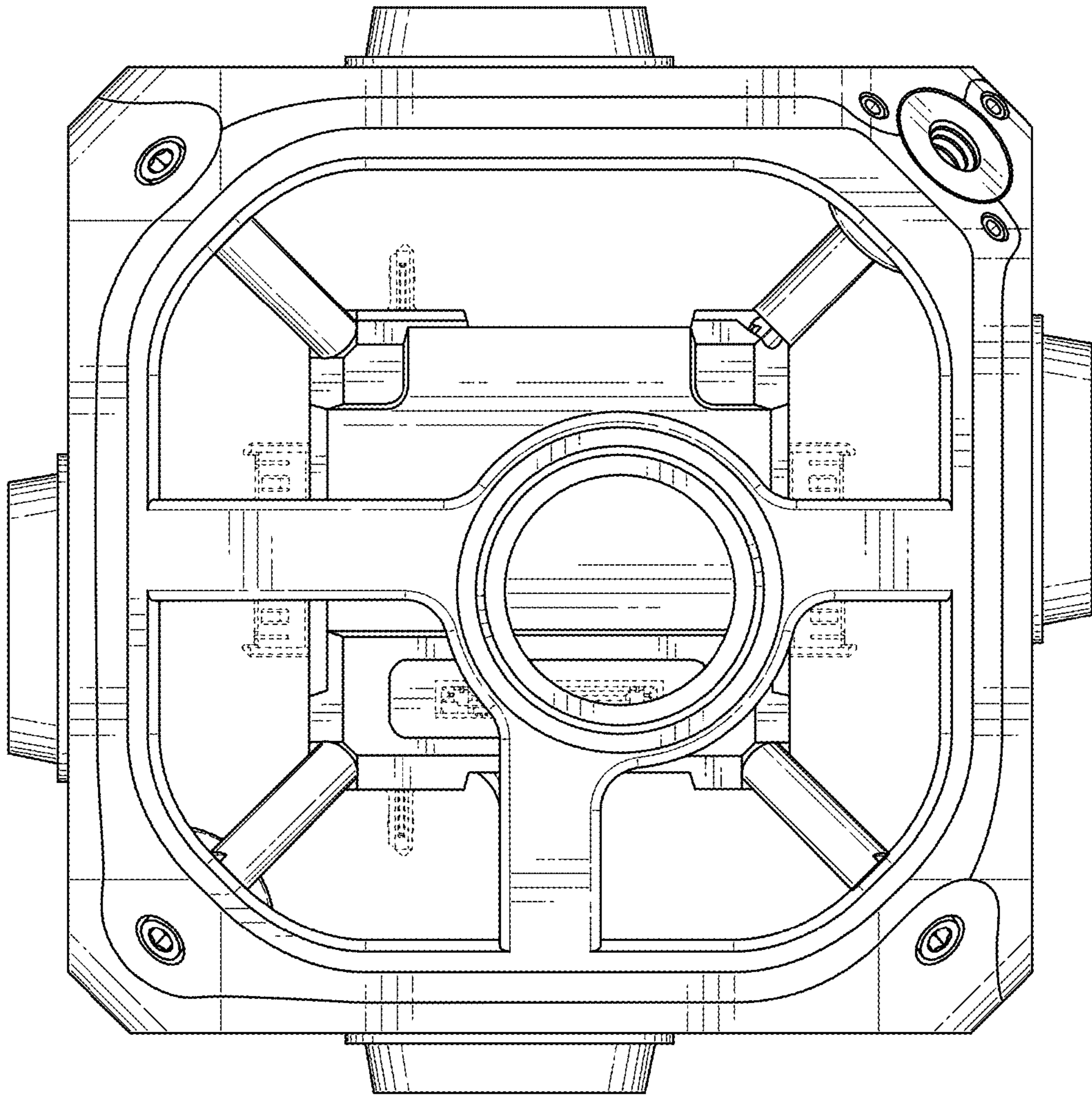


FIG. 16