



US00D768226S

(12) **United States Design Patent**
Kawamura

(10) **Patent No.:** **US D768,226 S**

(45) **Date of Patent:** **** Oct. 4, 2016**

(54) **LENS FOR TELEVISION CAMERA**

(71) Applicant: **FUJIFILM CORPORATION**, Tokyo (JP)

(72) Inventor: **Hidetoshi Kawamura**, Tokyo (JP)

(73) Assignee: **FUJIFILM Corporation**, Tokyo (JP)

(**) Term: **15 Years**

(21) Appl. No.: **29/539,139**

(22) Filed: **Sep. 11, 2015**

(30) **Foreign Application Priority Data**

Mar. 12, 2015 (JP) 2015-005456

(51) **LOC (10) Cl.** **16-05**

(52) **U.S. Cl.**
USPC **D16/219**

(58) **Field of Classification Search**
USPC D16/134, 136, 202, 219, 243; 348/373,
348/374, 375, 376; 396/432, 535, 544;
378/98.2

CPC H04N 5/772; H04N 7/0105; H04N 5/05;
H04N 5/372; G11B 20/10527; G11B
2020/10592

See application file for complete search history.

(56) **References Cited**

U.S. PATENT DOCUMENTS

D416,271 S * 11/1999 Ikenaga D16/202
D469,792 S * 2/2003 Kawashima D16/134

D605,681 S * 12/2009 Obata D16/134
D615,118 S * 5/2010 Isozaki D16/136
D624,110 S * 9/2010 Isozaki D16/136
D665,835 S * 8/2012 Yanagi D16/219
D665,836 S * 8/2012 Yanagi D16/219
D671,586 S * 11/2012 Asano D16/219
D673,993 S * 1/2013 Yanagi D16/219

* cited by examiner

Primary Examiner — Austin Murphy

(74) *Attorney, Agent, or Firm* — Young & Thompson

(57) **CLAIM**

The ornamental design for a lens for television camera, as shown and described.

DESCRIPTION

FIG. 1 is a top, front and left side perspective view of a lens for television camera showing my new design;
FIG. 2 is a bottom, front and left side perspective view thereof;
FIG. 3 is a front elevational view thereof;
FIG. 4 is a rear elevational view thereof;
FIG. 5 is a top plan view thereof;
FIG. 6 is a bottom plan view thereof;
FIG. 7 is a left side elevational view thereof;
FIG. 8 is a right side elevational view thereof; and,
FIG. 9 is a right side elevational view thereof in a manner of use.

The broken lines showing the portions in FIG. 9 are for illustrative purposes only and form no part of the claimed design.

1 Claim, 8 Drawing Sheets

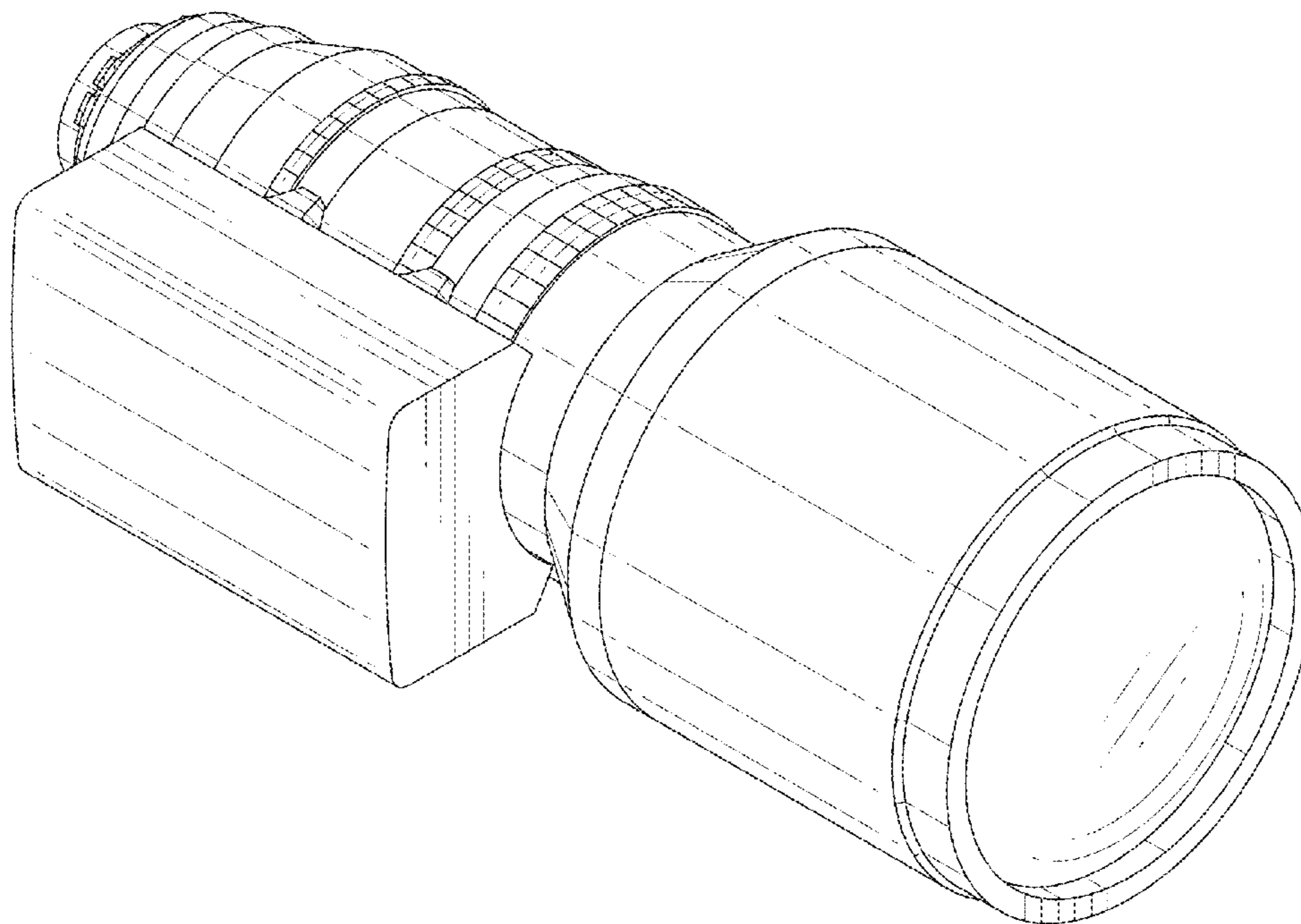


FIG. 1

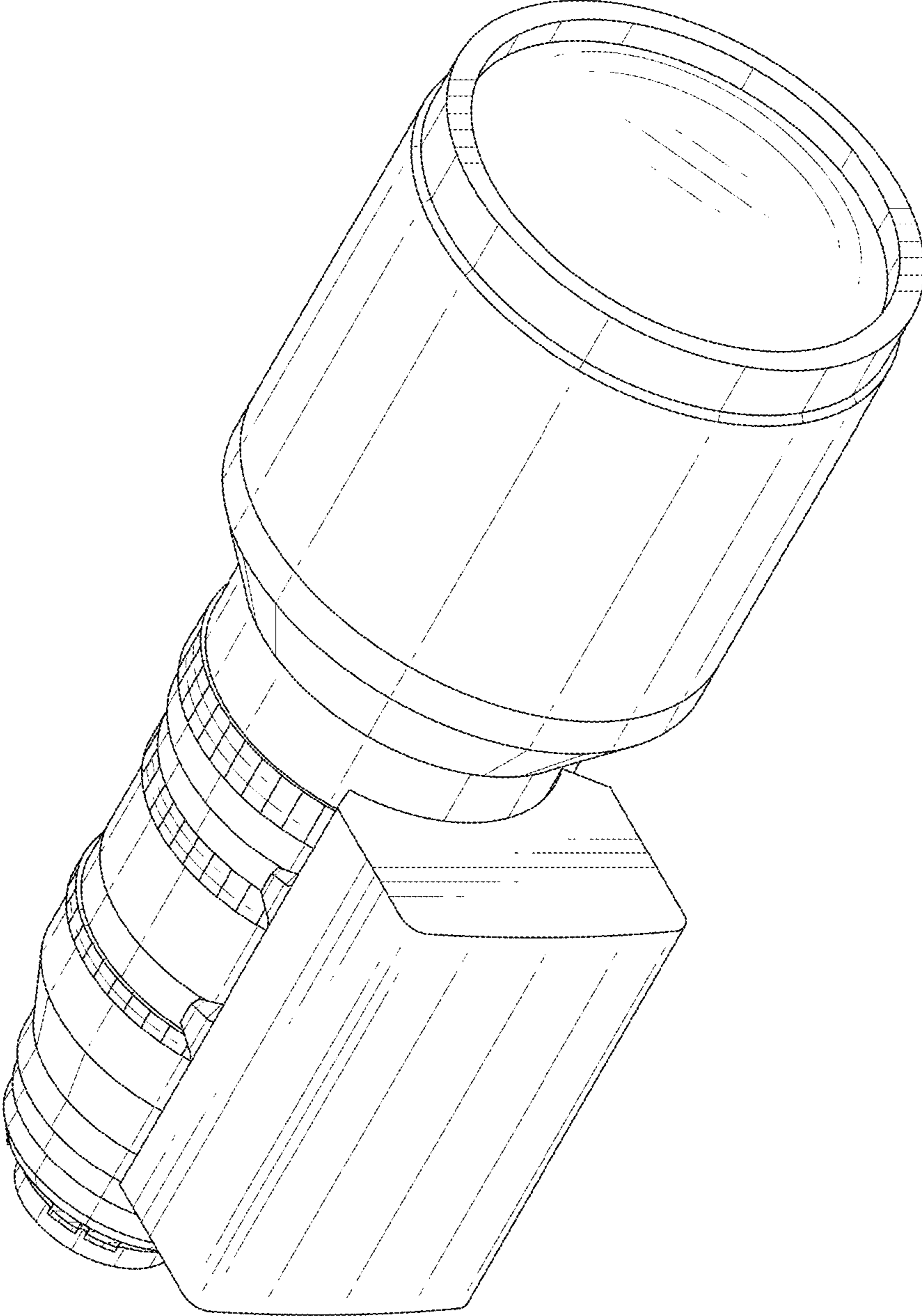


FIG. 2

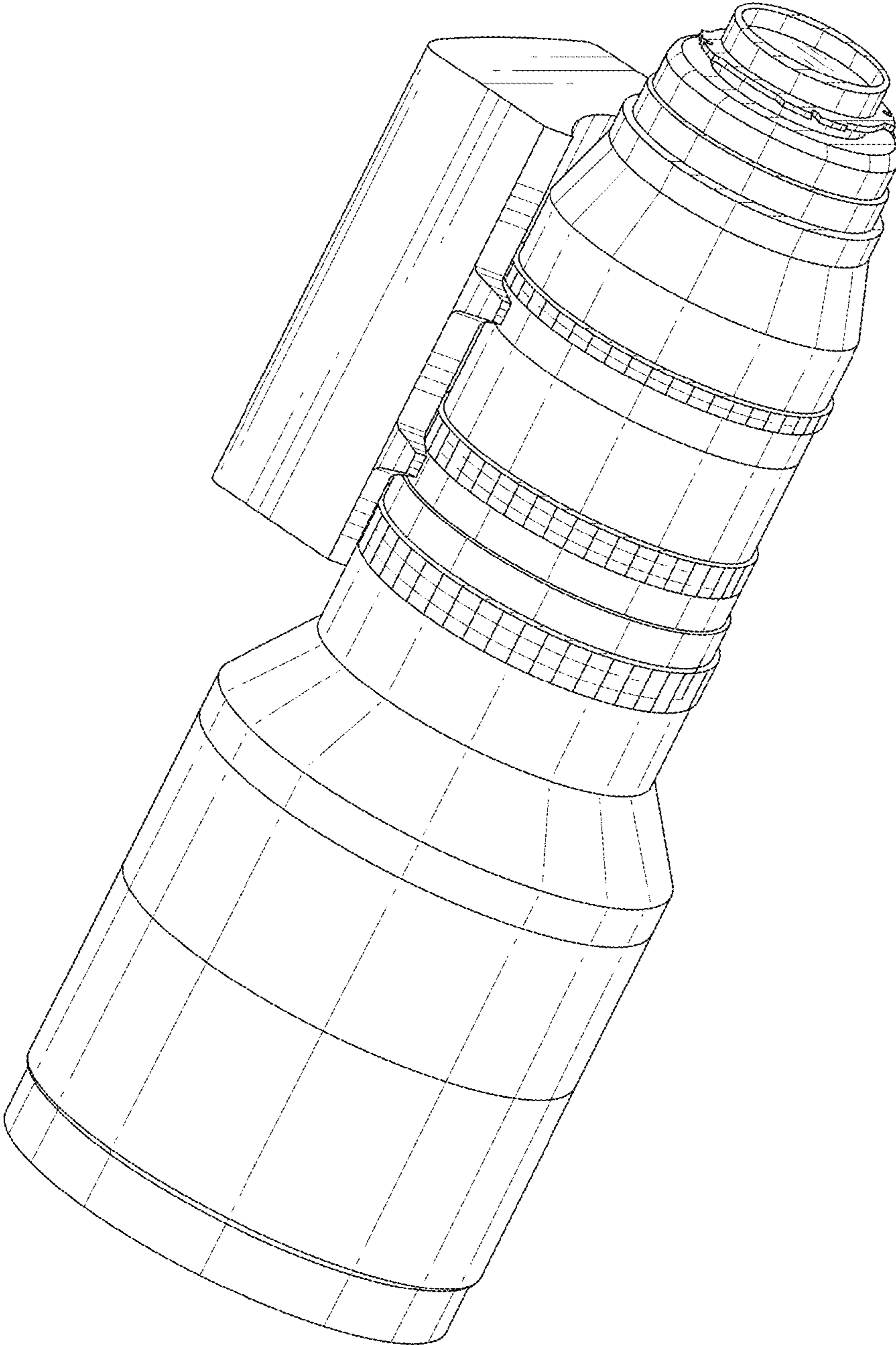


FIG. 3

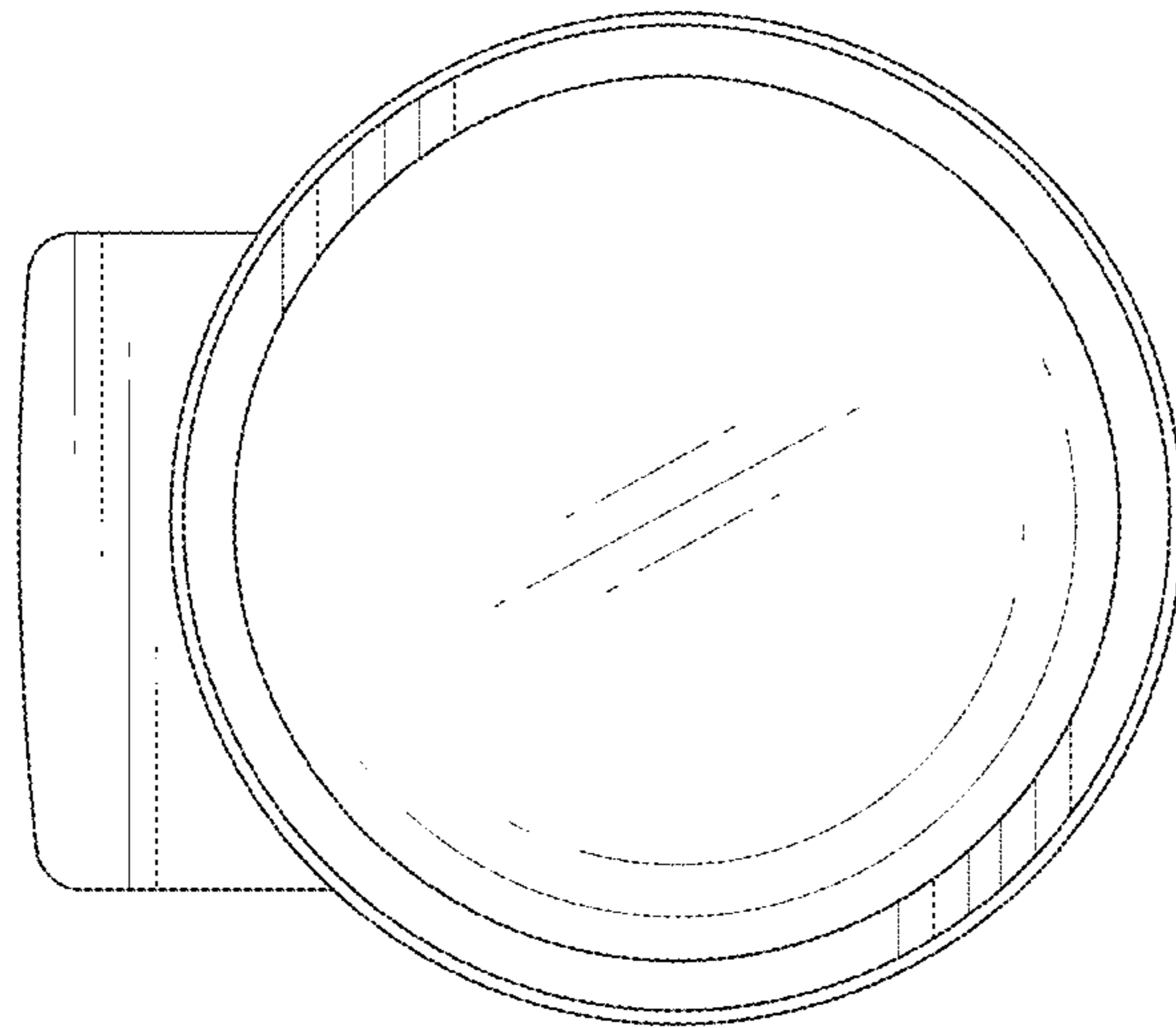


FIG. 4

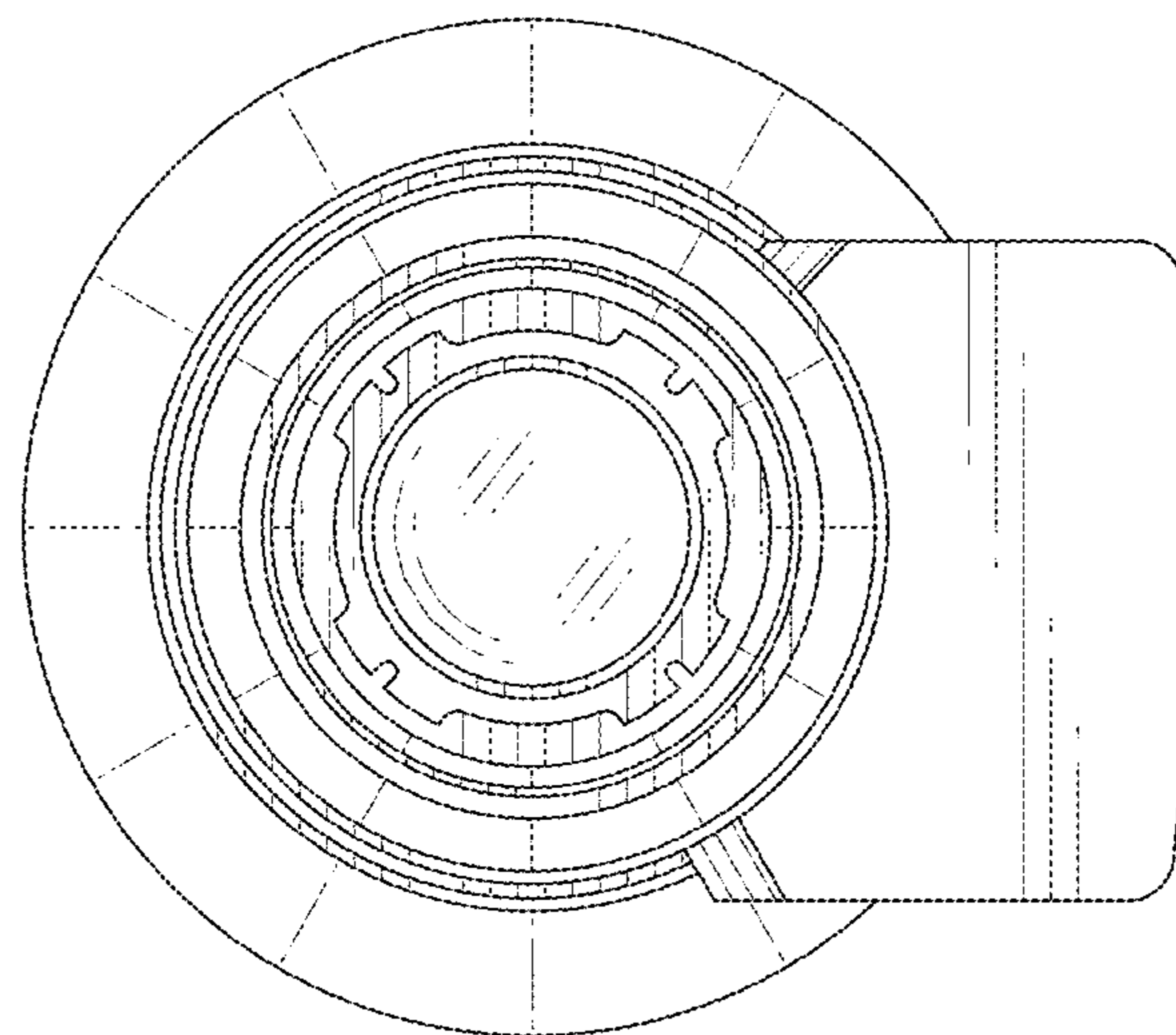


FIG. 5

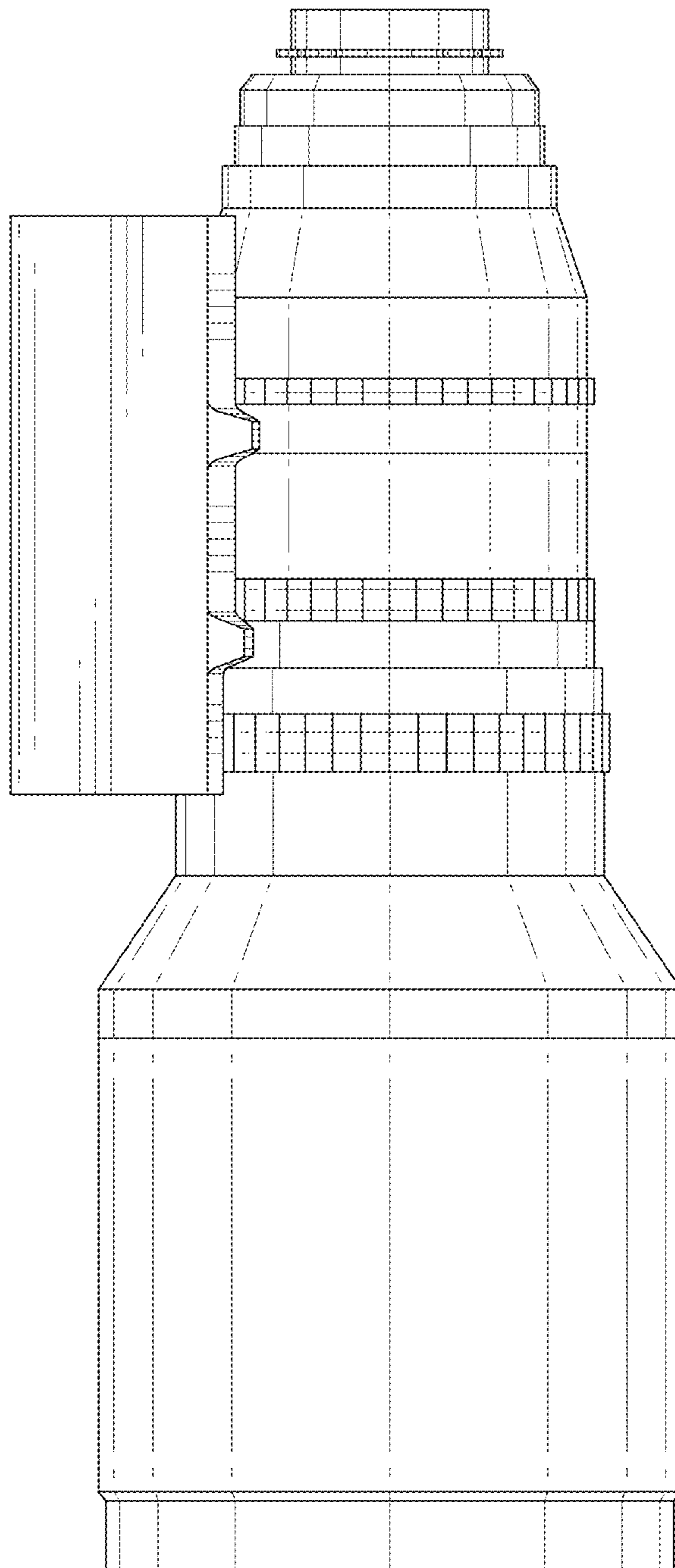


FIG. 6

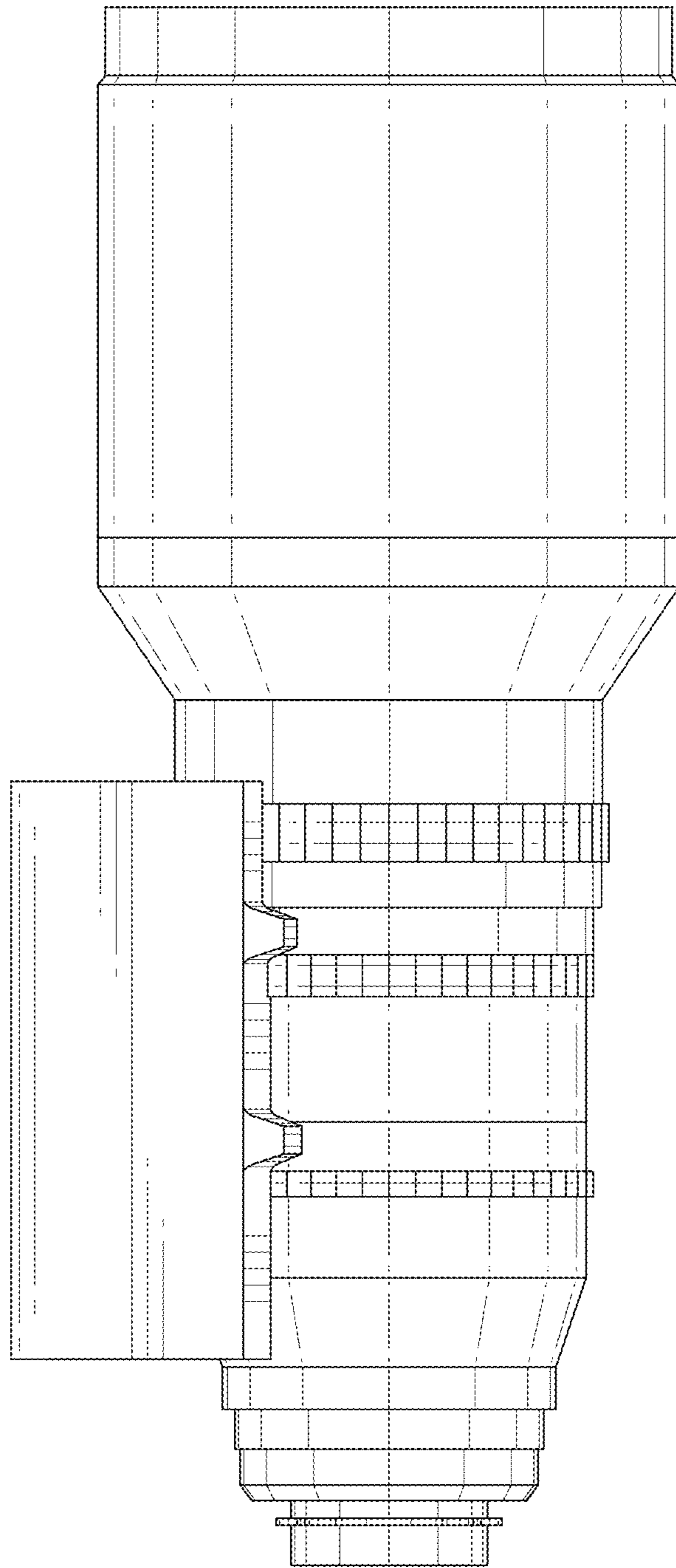


FIG. 7

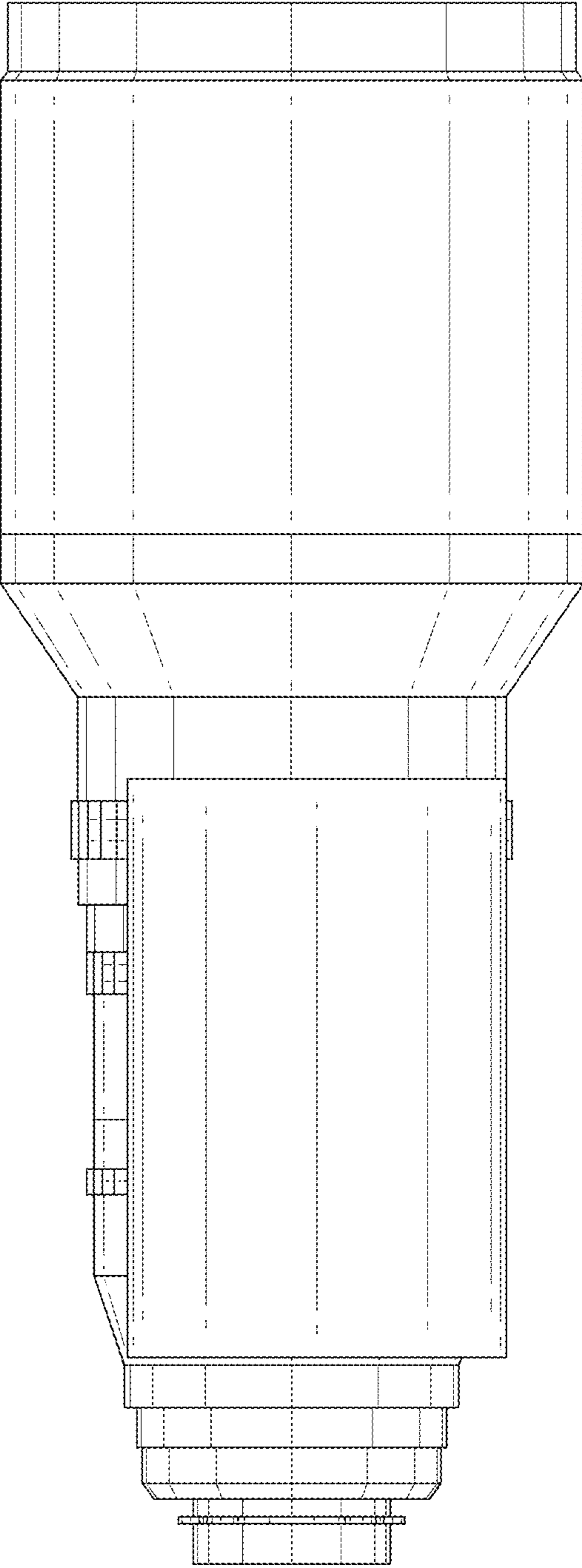


FIG. 8

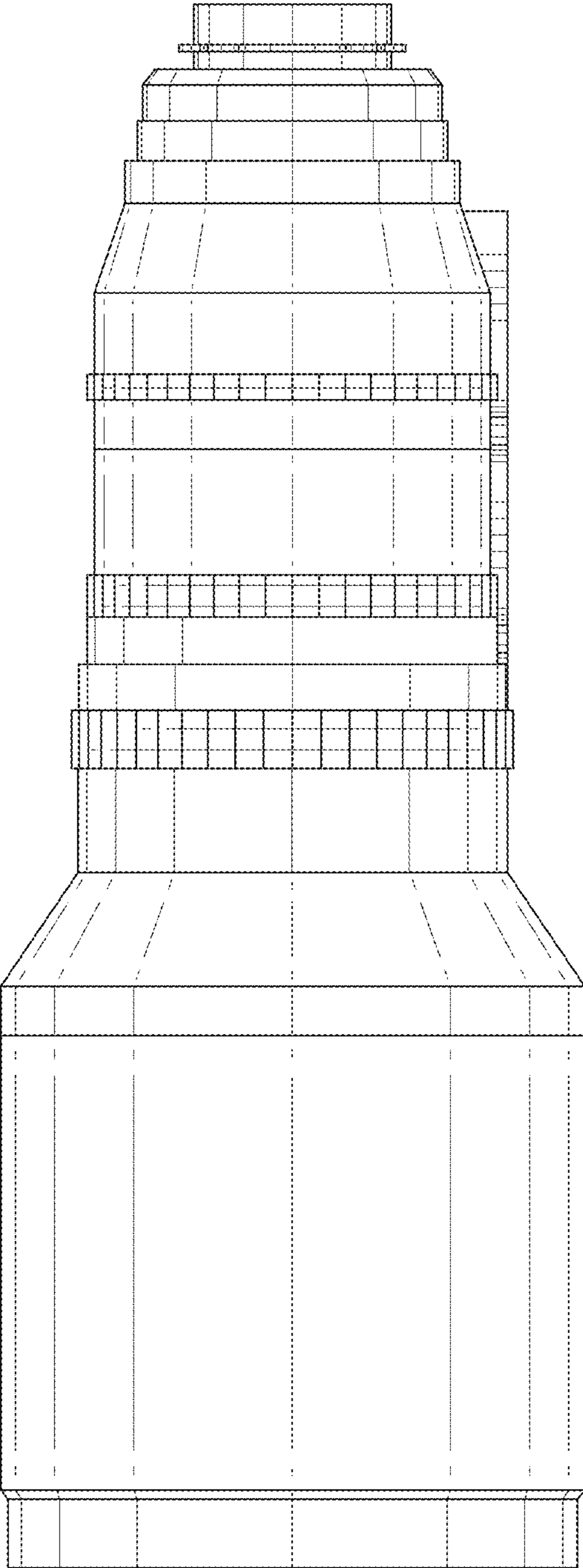


FIG. 9

