



US00D768225S

(12) **United States Design Patent**
Hirose

(10) **Patent No.:** **US D768,225 S**

(45) **Date of Patent:** **** Oct. 4, 2016**

(54) **VIDEO CAMERA**

(71) Applicant: **Panasonic Intellectual Property Management Co., Ltd., Osaka (JP)**

(72) Inventor: **Ryuichirou Hirose, Osaka (JP)**

(73) Assignee: **Panasonic Intellectual Property Management Co., Ltd., Osaka (JP)**

(**) Term: **15 Years**

(21) Appl. No.: **29/533,292**

(22) Filed: **Jul. 15, 2015**

(30) **Foreign Application Priority Data**

Mar. 9, 2015 (JP) 2015-005104

(51) **LOC (10) Cl.** **16-05**

(52) **U.S. Cl.**
USPC **D16/219**

(58) **Field of Classification Search**
USPC D16/219, 205–206, 242–243, 200, 208,
D16/134, 202, 204, 218; 396/55, 176, 241,
396/275, 534–541; 348/373–376;
358/909.1

CPC H04N 5/222; H04N 5/2252; G03B 11/04;
G03B 11/045; G03B 2217/00–2217/002
See application file for complete search history.

(56) **References Cited**

U.S. PATENT DOCUMENTS

D312,471 S * 11/1990 Couch D16/237
5,101,298 A * 3/1992 Lentz H04N 5/65
348/834
D371,147 S * 6/1996 Mori D16/202
5,528,424 A * 6/1996 Lentz H04N 5/65
348/834
D377,941 S * 2/1997 Tanaka D16/202
D386,771 S * 11/1997 Sekine D16/202
5,778,264 A * 7/1998 Kean G03B 15/03
362/18

5,893,649 A * 4/1999 Shimada G03B 13/02
348/333.06
D410,935 S * 6/1999 Oka D16/202
D419,169 S * 1/2000 Masano D16/202
D433,435 S * 11/2000 Hamamura D16/217

(Continued)

OTHER PUBLICATIONS

“AK-HC000.” Panasonic.com, dated Sep. 16, 2015 (Retrieved from the Internet Jul. 26, 2016). Internet URL: <<https://web.archive.org/web/20150916010011/http://pro-av.panasonic.net/en/products/ak-hc5000/index.html>>.*

Primary Examiner — Eric Goodman

Assistant Examiner — Rachel Voorhies

(74) *Attorney, Agent, or Firm* — Panasonic IP Management; Kerry S. Culpepper

(57) **CLAIM**

I claim the ornamental design for a video camera, as shown and described.

DESCRIPTION

FIG. 1 is a front-right perspective view of a video camera of the present invention;

FIG. 2 is a front-left perspective view thereof;

FIG. 3 is a rear-left perspective view thereof;

FIG. 4 is a rear-right perspective view thereof;

FIG. 5 is a front view thereof;

FIG. 6 is a rear view thereof;

FIG. 7 is a left side view thereof;

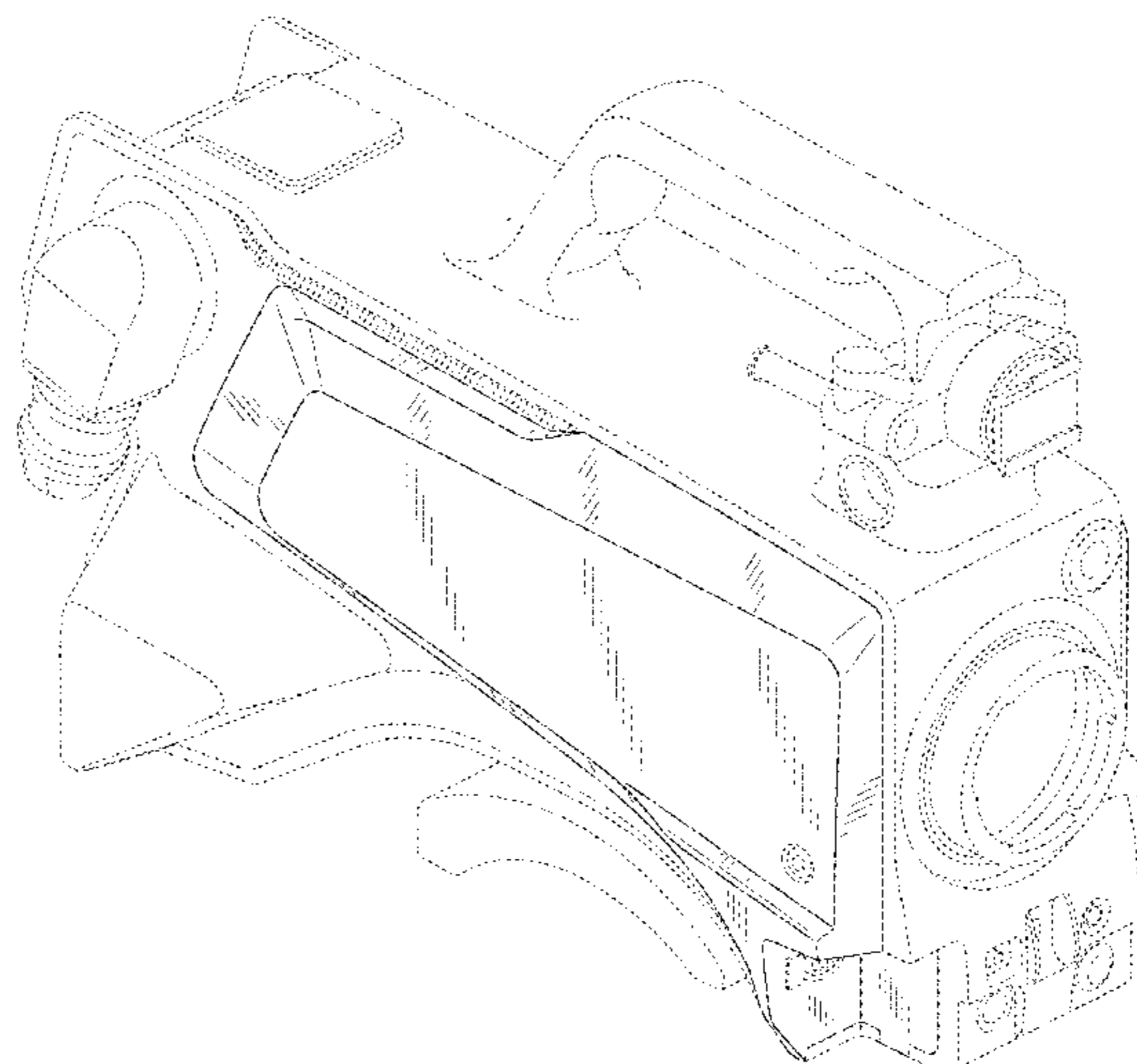
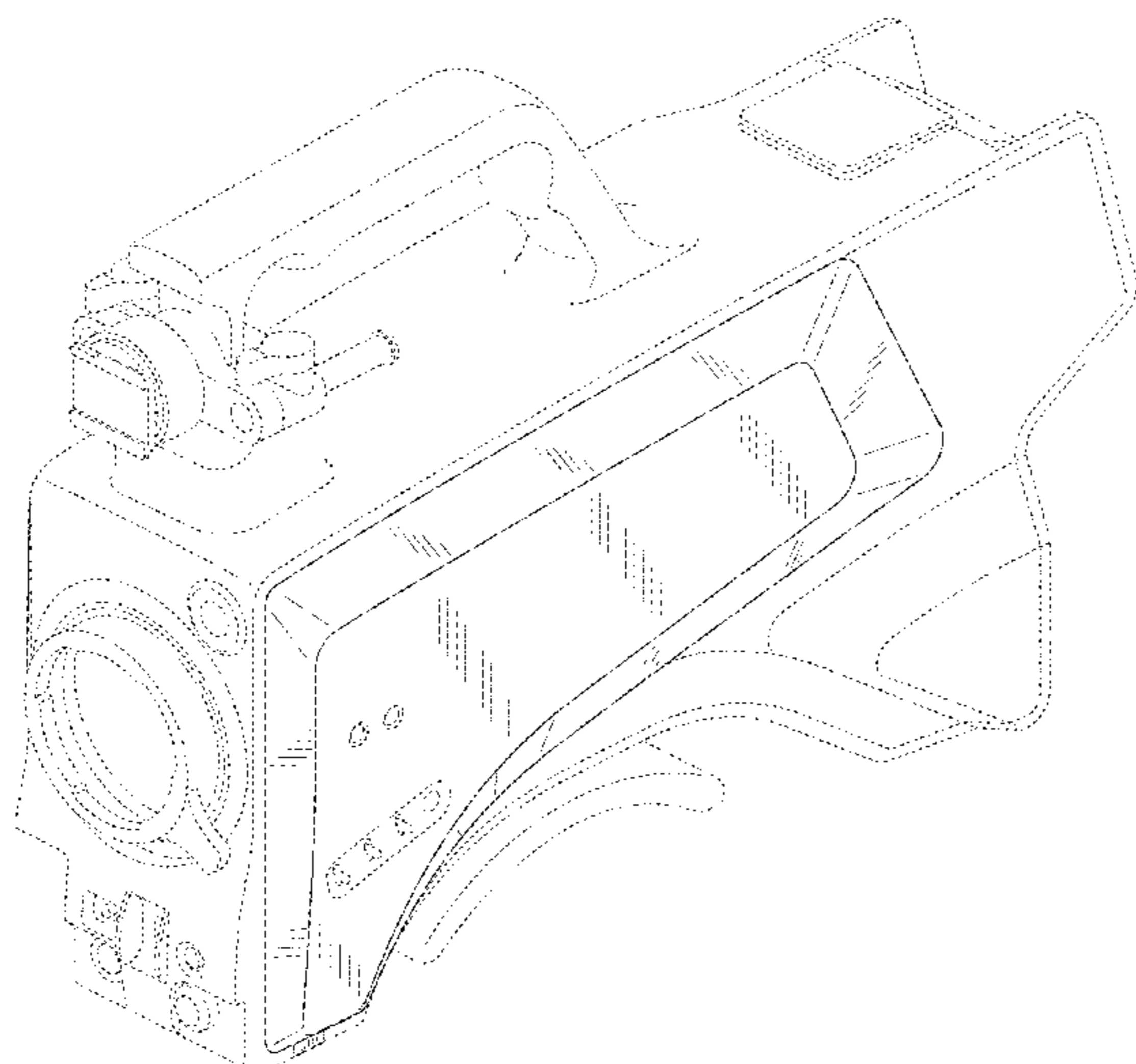
FIG. 8 is a right side view thereof;

FIG. 9 is a top view thereof; and,

FIG. 10 is a bottom view thereof.

The broken line showing of the video camera is included for the purpose of illustrating environment and forms no part of the claimed design. Additionally, the dash-dot broken lines define the boundary of the claimed design and form no part thereof.

1 Claim, 10 Drawing Sheets



(56)

References Cited

U.S. PATENT DOCUMENTS

D439,922 S * 4/2001 Kumakura D16/217
 D445,814 S * 7/2001 Oki D16/202
 D447,760 S * 9/2001 Lantz D16/219
 D450,741 S * 11/2001 Oka D16/202
 6,375,369 B1 * 4/2002 Schneider G03B 17/02
 348/143
 D474,793 S * 5/2003 Yoshida D16/202
 D483,782 S * 12/2003 Lannestedt D16/202
 D485,289 S * 1/2004 Hayashi D16/217
 D486,845 S * 2/2004 Oka D16/202
 D505,686 S * 5/2005 Ikenaga D16/202
 D508,066 S * 8/2005 Ikenaga D16/202
 D518,842 S * 4/2006 Hilborn D16/200
 7,066,663 B2 * 6/2006 Cheng G03B 17/08
 348/373
 D543,223 S * 5/2007 Uchiyama D16/202
 D557,304 S * 12/2007 Hayashi D16/202
 D557,308 S * 12/2007 Matsuda D16/202
 7,360,909 B1 * 4/2008 Hughes G03B 15/02
 362/16
 D568,363 S * 5/2008 Funakoshi D16/217
 D569,889 S * 5/2008 Nishiwaki D16/219
 D570,891 S * 6/2008 Miyahara D16/202
 D574,031 S * 7/2008 Funakoshi D16/217
 D589,607 S * 3/2009 Ungar D24/110.2
 D591,782 S * 5/2009 Hayashi D16/219
 7,542,094 B2 * 6/2009 Nakamura H04N 5/2251
 348/373
 7,595,837 B2 * 9/2009 Kobayashi G03B 17/563
 348/373
 7,616,392 B2 * 11/2009 Igarashi G03B 17/02
 359/818
 D605,212 S * 12/2009 Mori D16/202
 D605,217 S * 12/2009 Kobre D16/237
 D612,885 S * 3/2010 Hayashi D16/219
 7,683,969 B2 * 3/2010 Callahan F16M 11/041
 224/262
 7,916,211 B2 * 3/2011 Okudaira H04N 5/2251
 348/333.06
 7,956,922 B2 * 6/2011 Kaji G03B 13/06
 348/333.07
 8,023,033 B2 * 9/2011 Kirihara G03B 13/02
 348/333.01
 8,111,984 B2 * 2/2012 Wood G03B 11/00
 359/611

8,134,639 B2 * 3/2012 Furuhashi H04N 5/2251
 348/375
 D702,274 S * 4/2014 Qian D16/203
 D707,743 S * 6/2014 Nakashima D16/202
 D708,656 S * 7/2014 Shapir D16/238
 D716,362 S * 10/2014 Generotti D16/237
 D719,203 S * 12/2014 Horiki D16/202
 D721,756 S * 1/2015 Hallstrom D16/203
 D723,085 S * 2/2015 Soejima D16/219
 D731,574 S * 6/2015 Hallstrom D16/203
 D733,785 S * 7/2015 Mochinushi D16/219
 D741,929 S * 10/2015 Tanifuji D16/202
 D752,125 S * 3/2016 Arimoto D16/202
 D757,834 S * 5/2016 Duncan D16/200
 2006/0077285 A1 * 4/2006 Cheng G03B 17/02
 348/373
 2006/0256230 A1 * 11/2006 Maeda H04N 5/2251
 348/373
 2008/0151072 A1 * 6/2008 Ohmori G03B 15/03
 348/231.3
 2008/0181598 A1 * 7/2008 Kobre G03B 15/06
 396/174
 2009/0256956 A1 * 10/2009 Furuhashi H04N 5/2251
 348/376
 2010/0067898 A1 * 3/2010 Arbuckle G03B 17/08
 396/535
 2011/0102669 A1 * 5/2011 Yano G03B 17/18
 348/376
 2011/0194184 A1 * 8/2011 Barton G03B 11/04
 359/601
 2012/0044417 A1 * 2/2012 Fujiwara G03B 17/02
 348/375
 2012/0147244 A1 * 6/2012 Akiyama G03B 17/18
 348/333.06
 2014/0198208 A1 * 7/2014 Neufeld G06F 3/005
 348/143
 2015/0070494 A1 * 3/2015 Hess, Jr. H04N 17/002
 348/143
 2015/0098686 A1 * 4/2015 Obukhov G08B 13/19656
 386/226
 2015/0268535 A1 * 9/2015 Hirota G03B 17/563
 348/375
 2016/0026070 A1 * 1/2016 Holbrook G03B 15/05
 396/535
 2016/0088752 A1 * 3/2016 Zaccaria G02B 27/0006
 348/376
 2016/0094780 A1 * 3/2016 Monkiewicz G03B 13/36
 348/164

* cited by examiner

FIG. 1

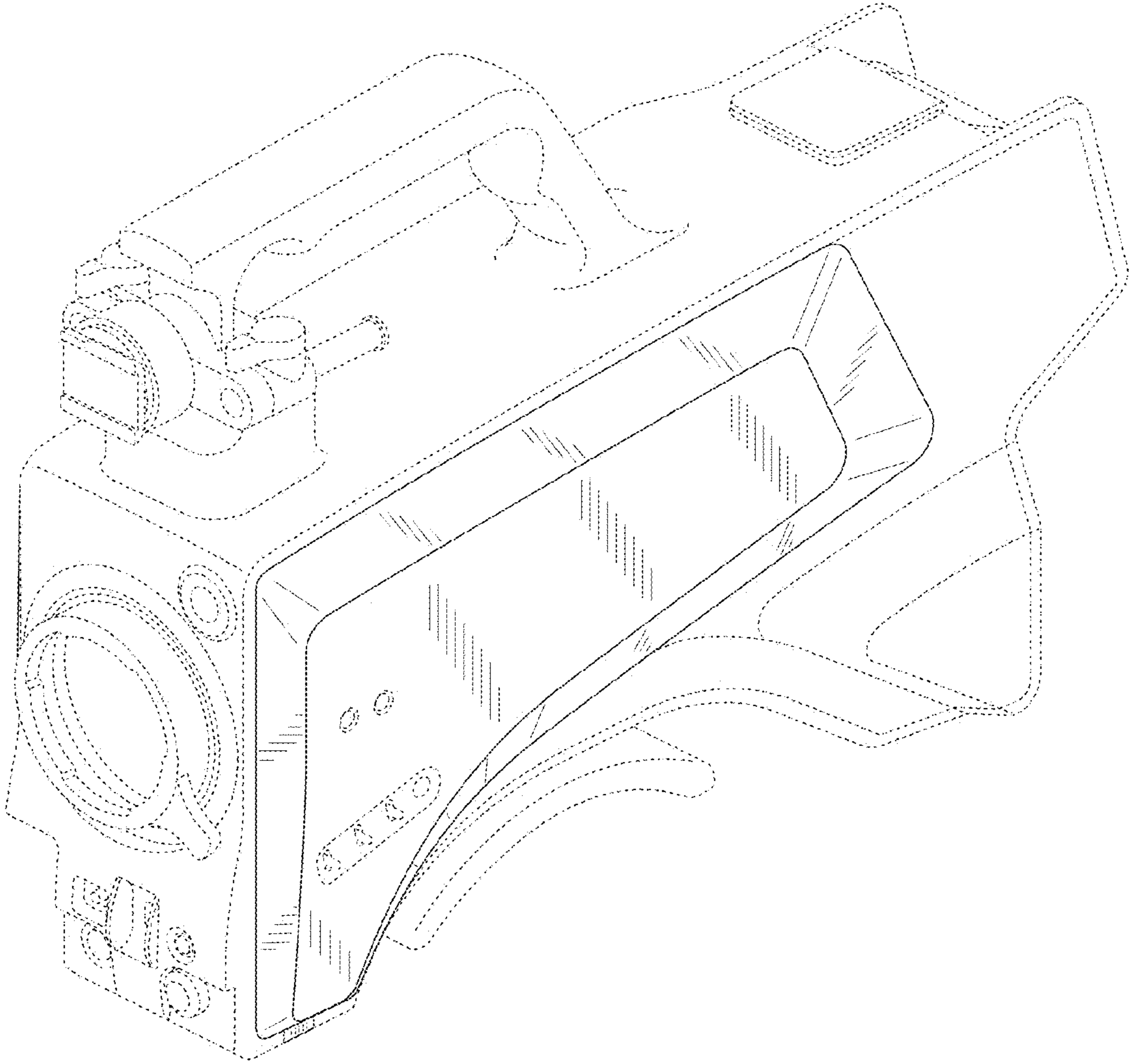


FIG. 2

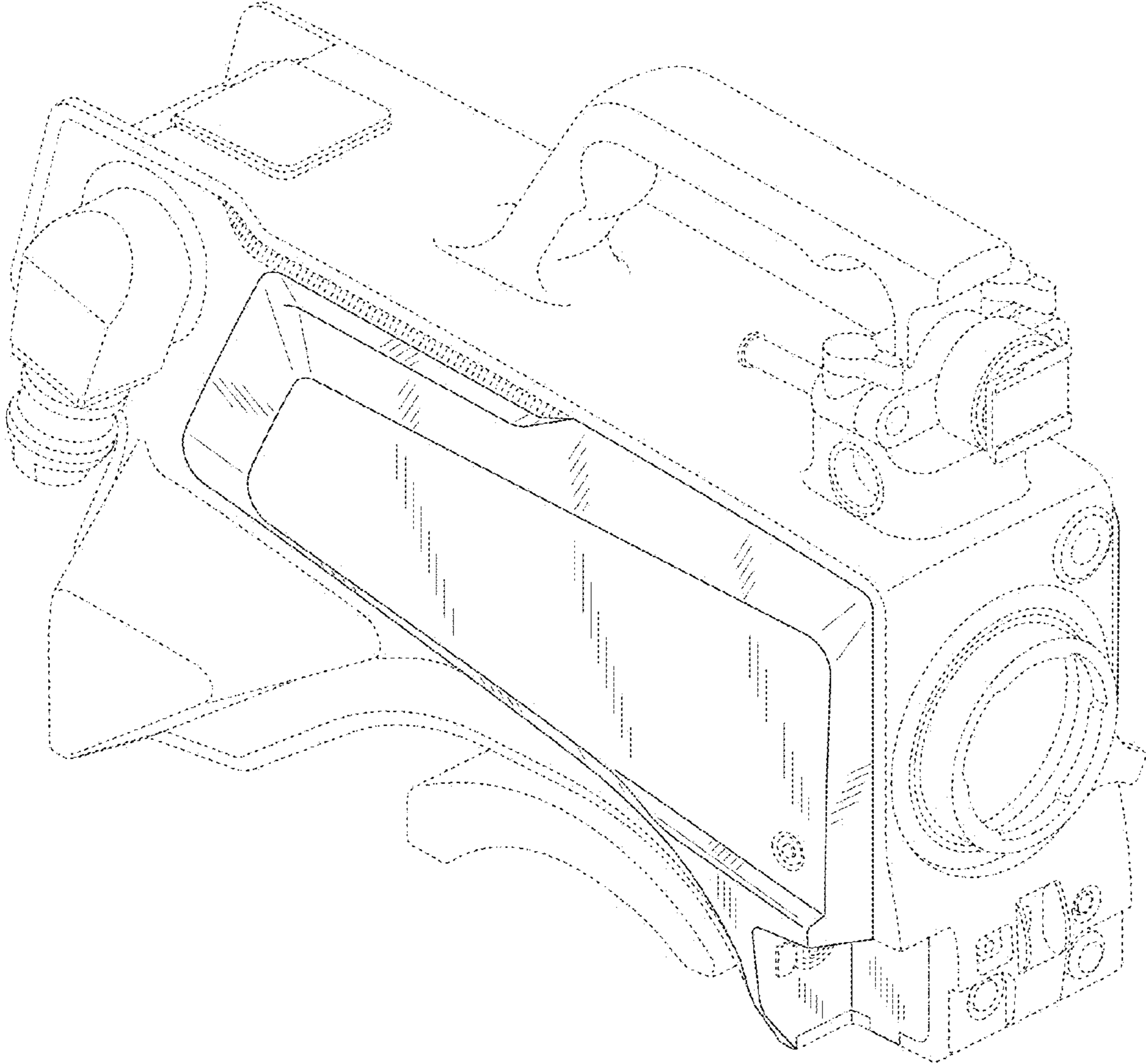


FIG. 3

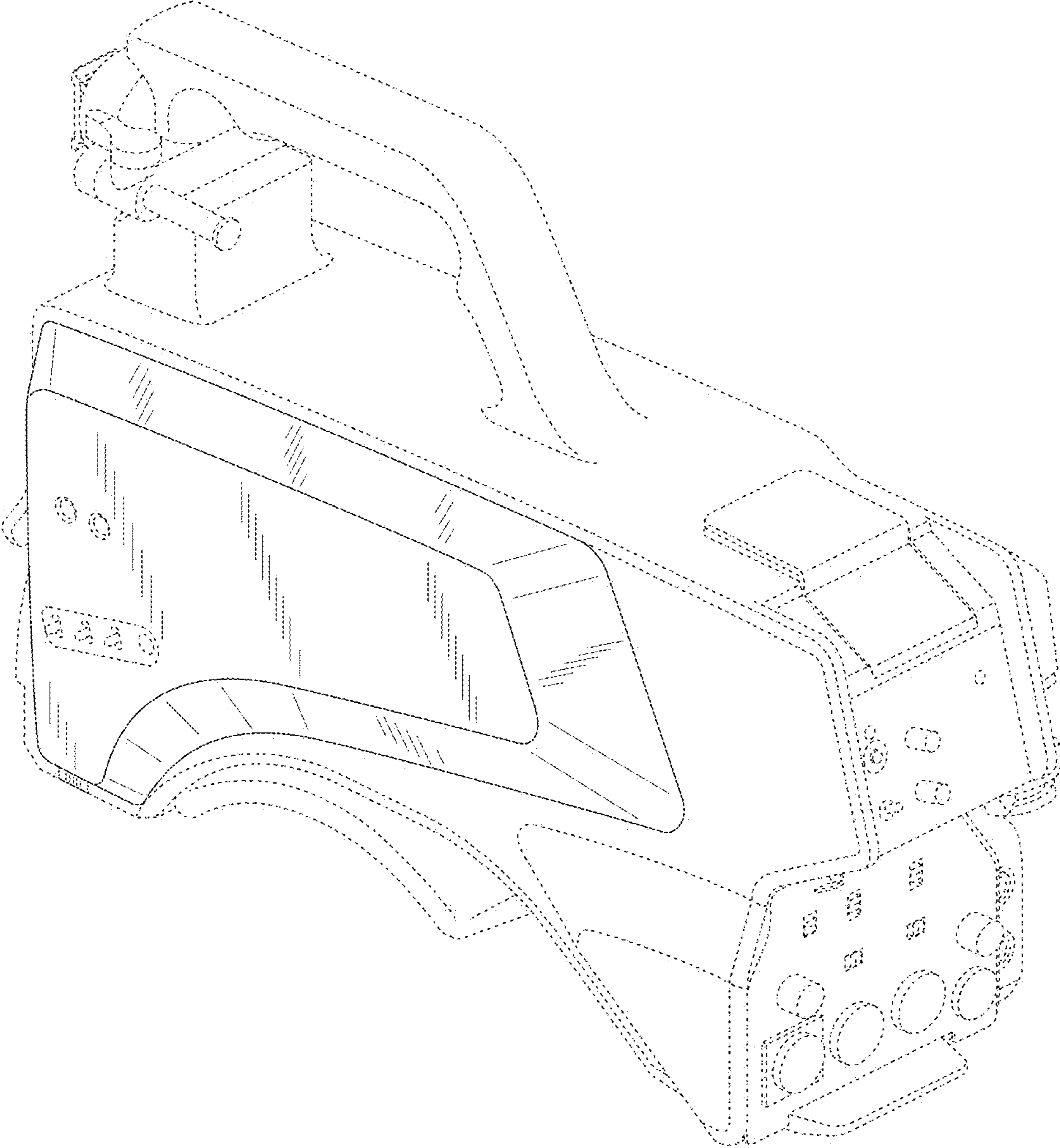


FIG. 4

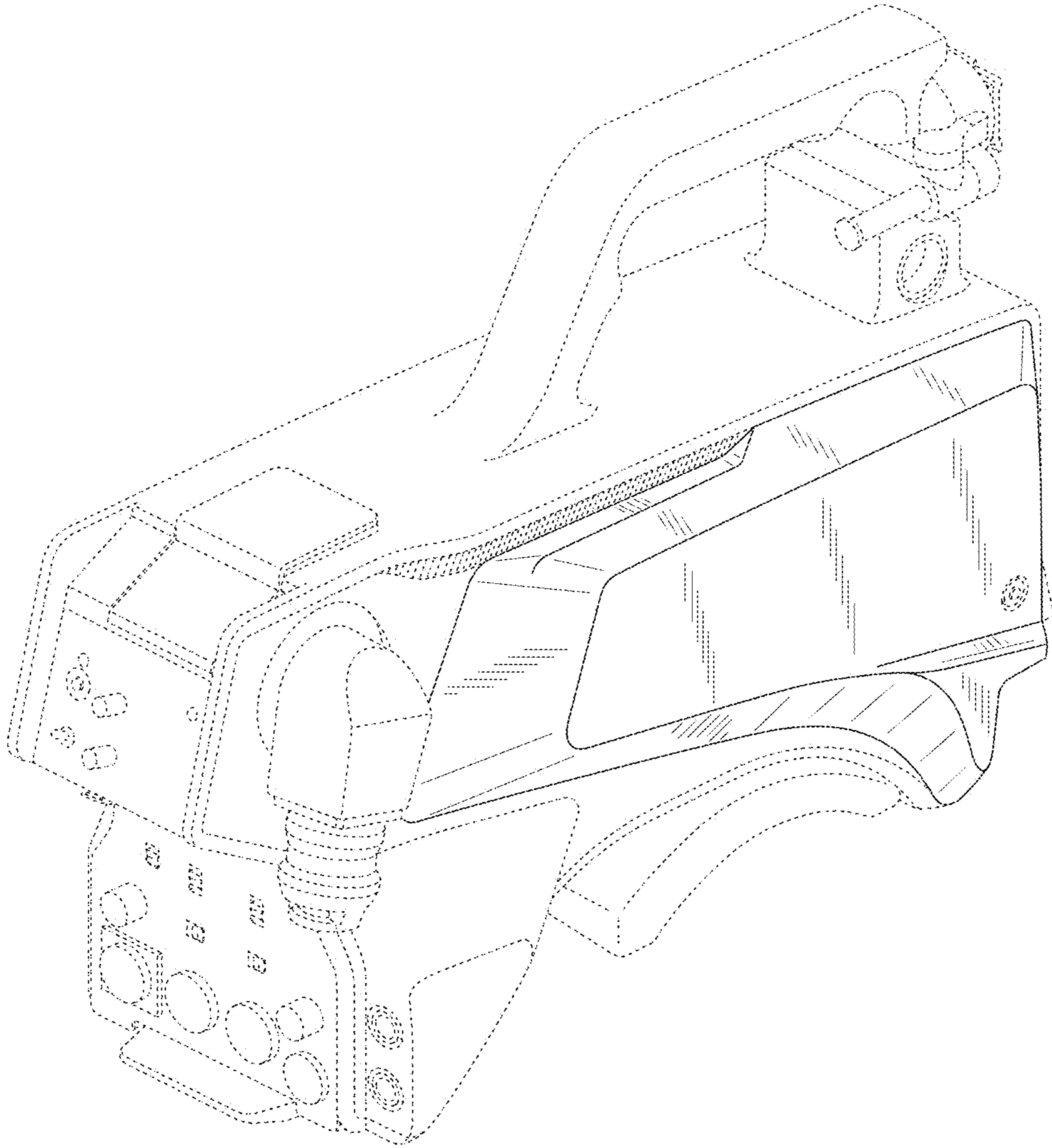


FIG. 5

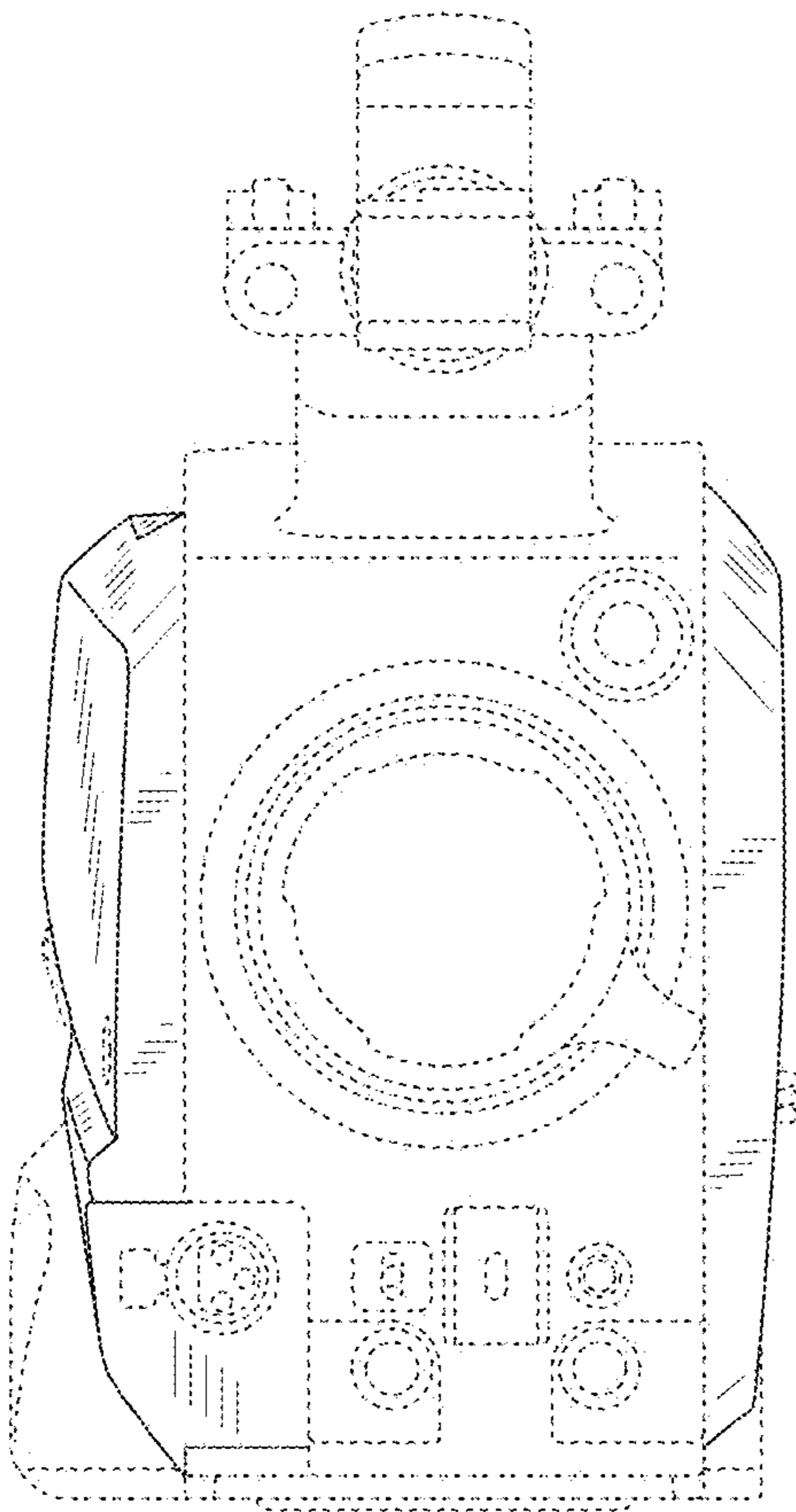


FIG. 6

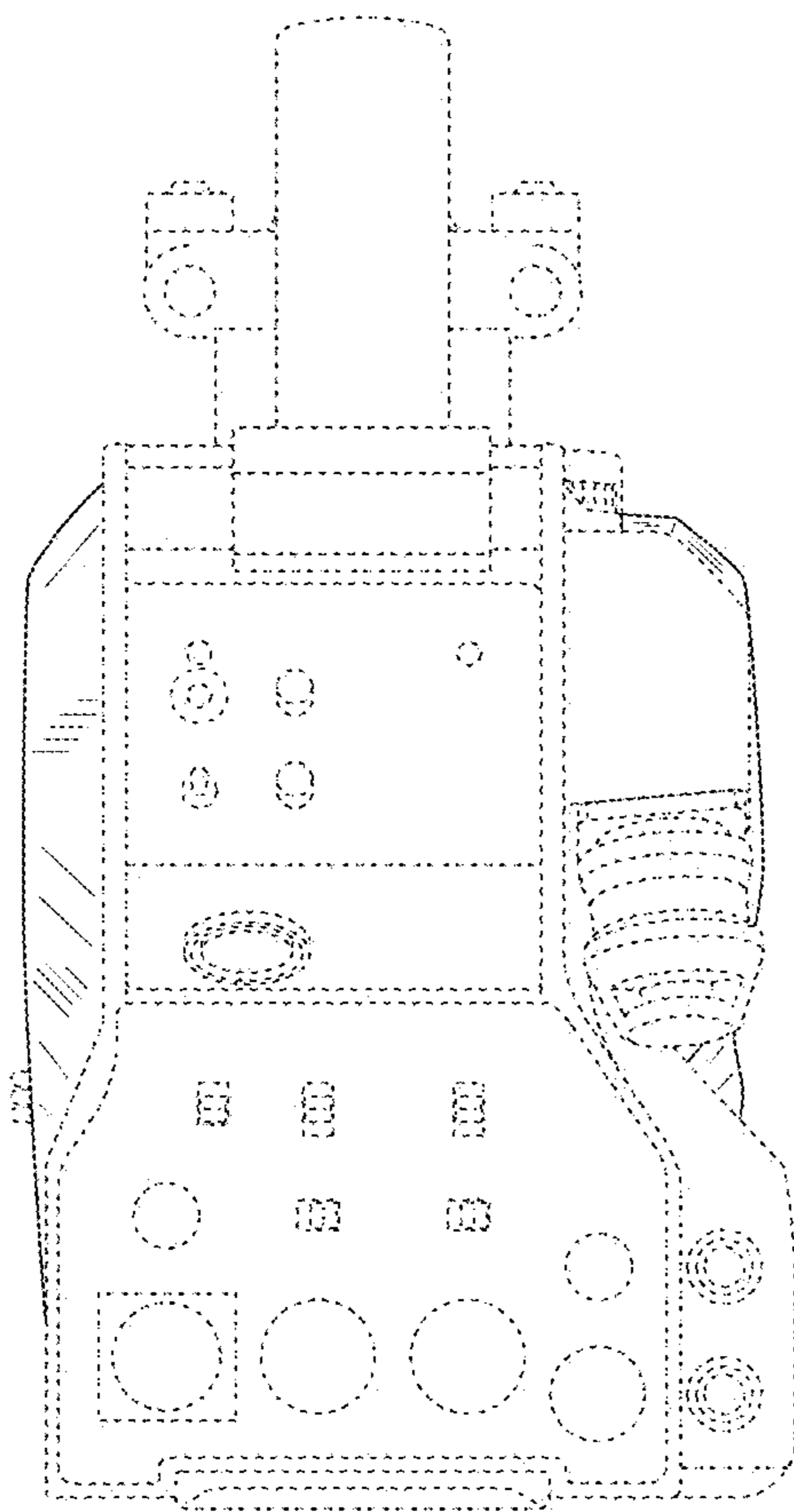


FIG. 7

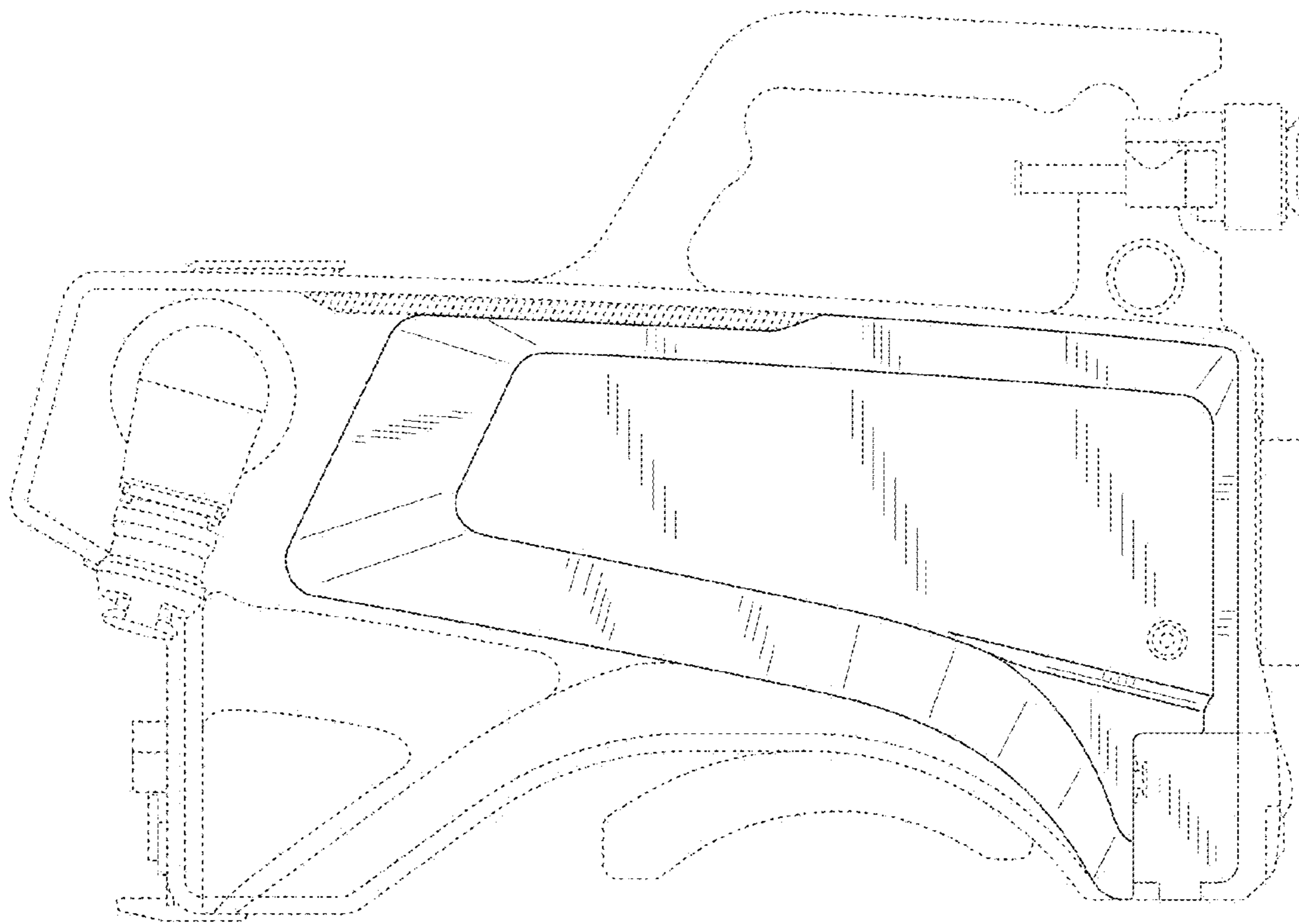


FIG. 8

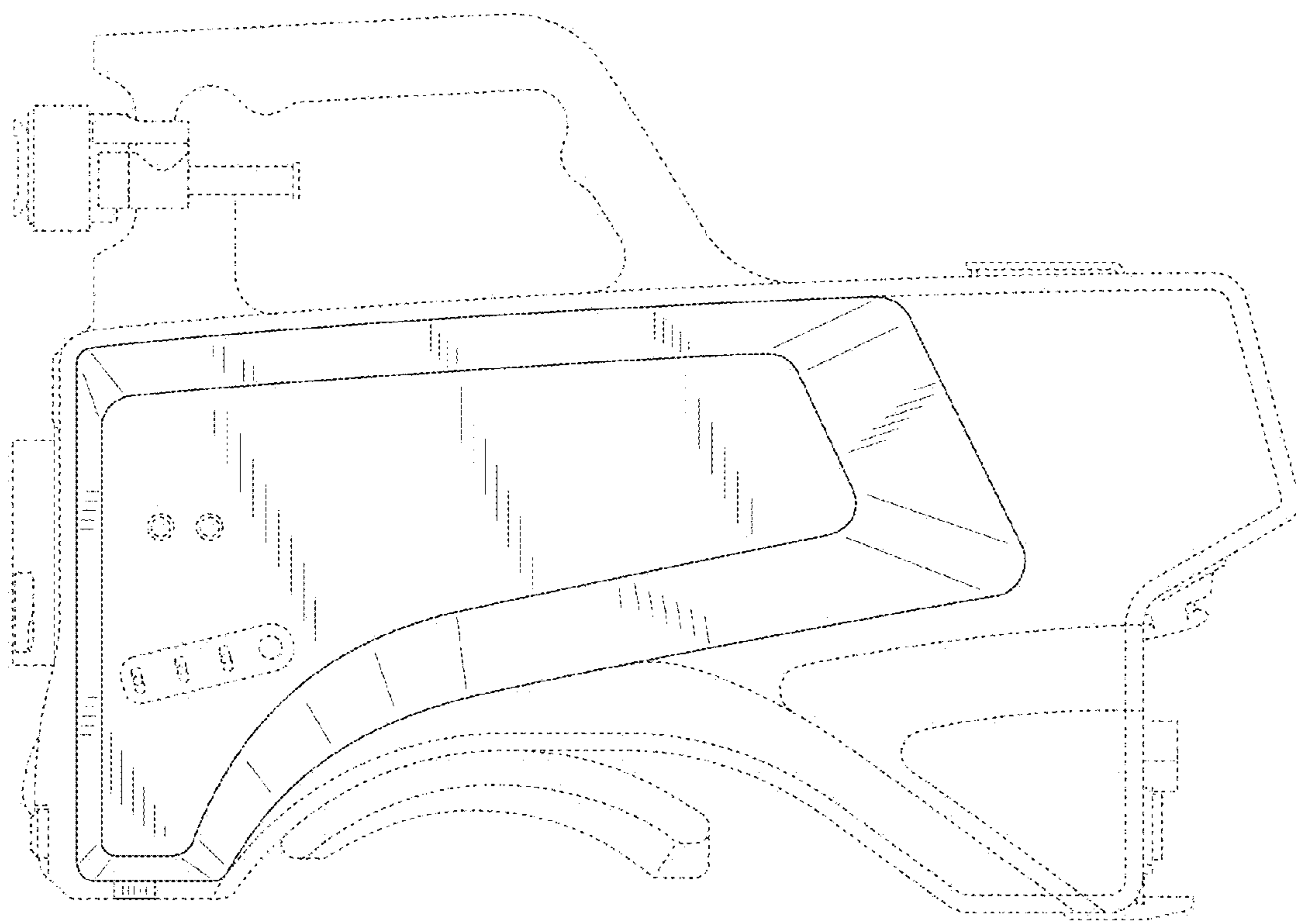


FIG. 9

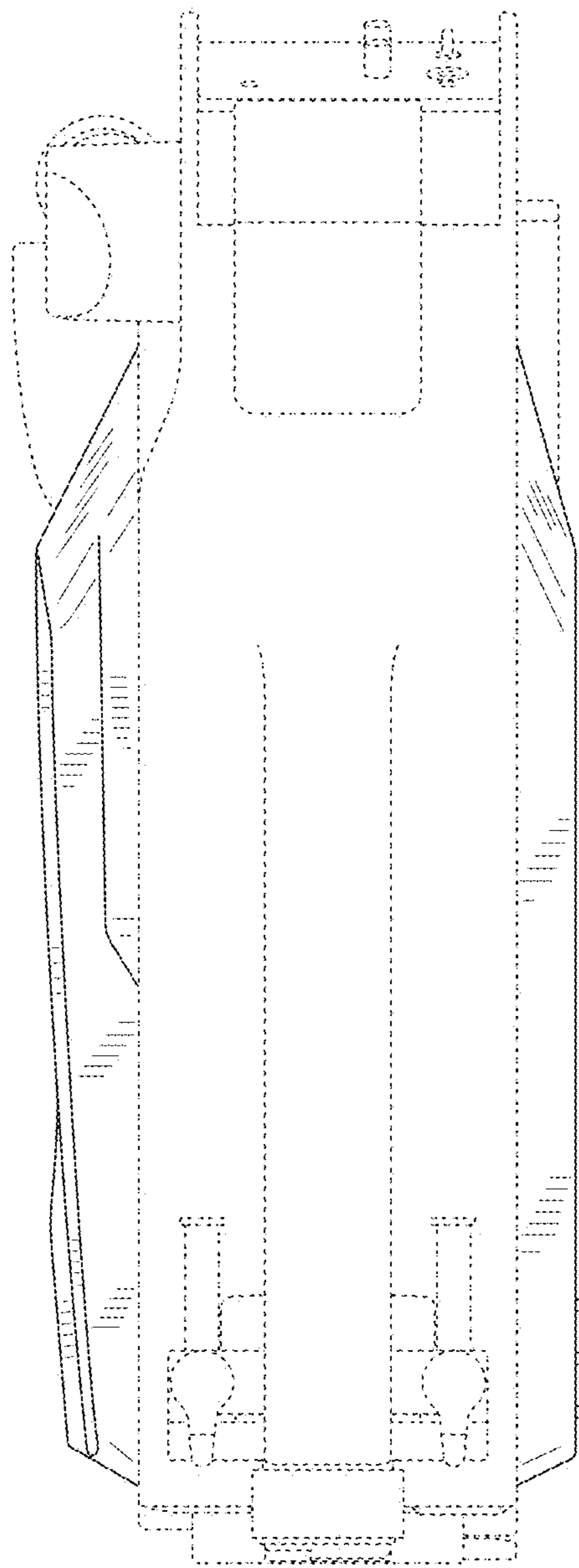


FIG. 10

