



US00D768224S

(12) **United States Design Patent**
Kim et al.

(10) **Patent No.:** **US D768,224 S**
(45) **Date of Patent:** **** Oct. 4, 2016**

(54) **CAMERA LENS**

(71) Applicant: **SAMYANG OPTICS CO., LTD,**
Changwon-si (KR)

(72) Inventors: **Eun-Jin Kim,** Changwon-si (KR);
Dal-Gyu Kim, Changwon-si (KR)

(73) Assignee: **SAMYANG OPTICS CO., LTD,**
Changwon-Si (KR)

(**) Term: **15 Years**

(21) Appl. No.: **29/527,587**

(22) Filed: **May 20, 2015**

(30) **Foreign Application Priority Data**

Mar. 20, 2015 (KR) 30-2015-0014301

(51) **LOC (10) Cl.** **16-05**

(52) **U.S. Cl.**
USPC **D16/219**

(58) **Field of Classification Search**

USPC D16/134, 136, 200, 202–205, 218, 219,
D16/235, 242; 348/373–376; 359/826–828;
396/529–532, 535, 539–541
CPC G03B 17/02; G03B 19/04; G03B 17/56;
G03B 17/04; G03B 15/03; G03B 17/14;
H04N 5/2251; H04N 5/2252; H04N 5/2253;
H04N 5/2254; G02B 7/02; G02B 7/04;
G02B 7/14

See application file for complete search history.

(56) **References Cited**

U.S. PATENT DOCUMENTS

D362,007 S * 9/1995 Takahashi D16/134
D390,857 S * 2/1998 Hayamizu D16/134

D412,922 S * 8/1999 Sekine D16/134
D562,862 S * 2/2008 Yasutomi D16/134
D562,863 S * 2/2008 Yasutomi D16/134
D562,864 S * 2/2008 Yasutomi D16/134
7,625,144 B2 * 12/2009 Kranz G02B 7/14
359/827
D684,208 S * 6/2013 Lee D16/219
D697,542 S * 1/2014 Kim D16/219
8,678,678 B2 * 3/2014 Imura G03B 17/14
396/419
D718,361 S * 11/2014 Noh D16/219
D726,239 S * 4/2015 So D16/219
D737,359 S * 8/2015 Jung D16/219

* cited by examiner

Primary Examiner — Philip S Hyder

Assistant Examiner — Ramzi Almatrahi

(74) *Attorney, Agent, or Firm* — Goldilocks Zone IP Law

(57) **CLAIM**

The ornamental design for a camera lens, as shown and described.

DESCRIPTION

FIG. 1 is a perspective view of a camera lens, showing our new design;

FIG. 2 is a front view thereof;

FIG. 3 is a rear view thereof;

FIG. 4 is a left-side view hereof;

FIG. 5 is a right-side view thereof;

FIG. 6 is a top plan view thereof

FIG. 7 is a bottom plan view thereof;

FIG. 8 is an enlarged view of the encircled area 8 in FIG. 1; and,

FIG. 9 is an enlarged view of the encircled area 9 in FIG. 1. The broken lines depict portions of a camera lens in which the design is embodied that form no part of the claimed design.

1 Claim, 9 Drawing Sheets

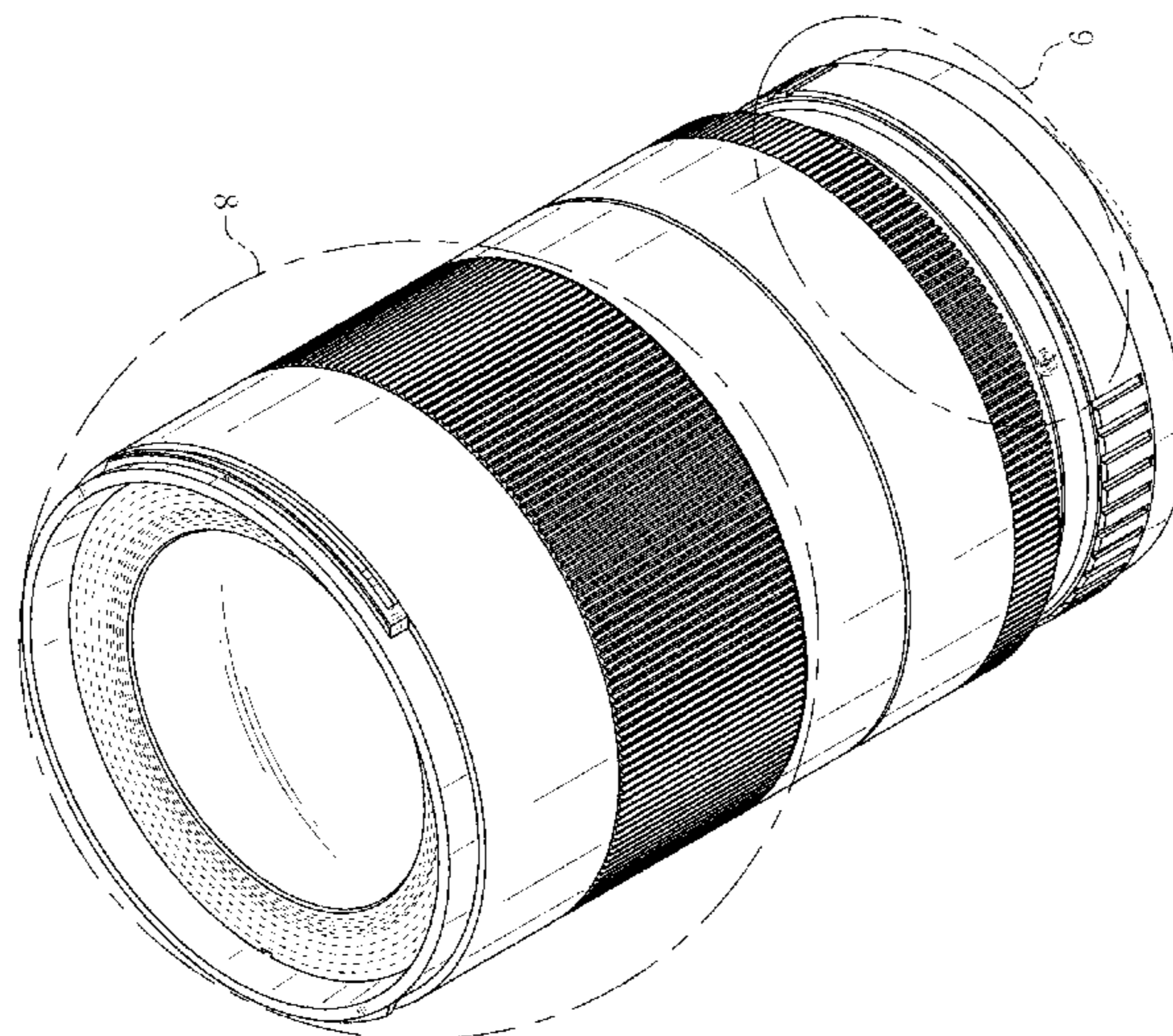


FIG. 1

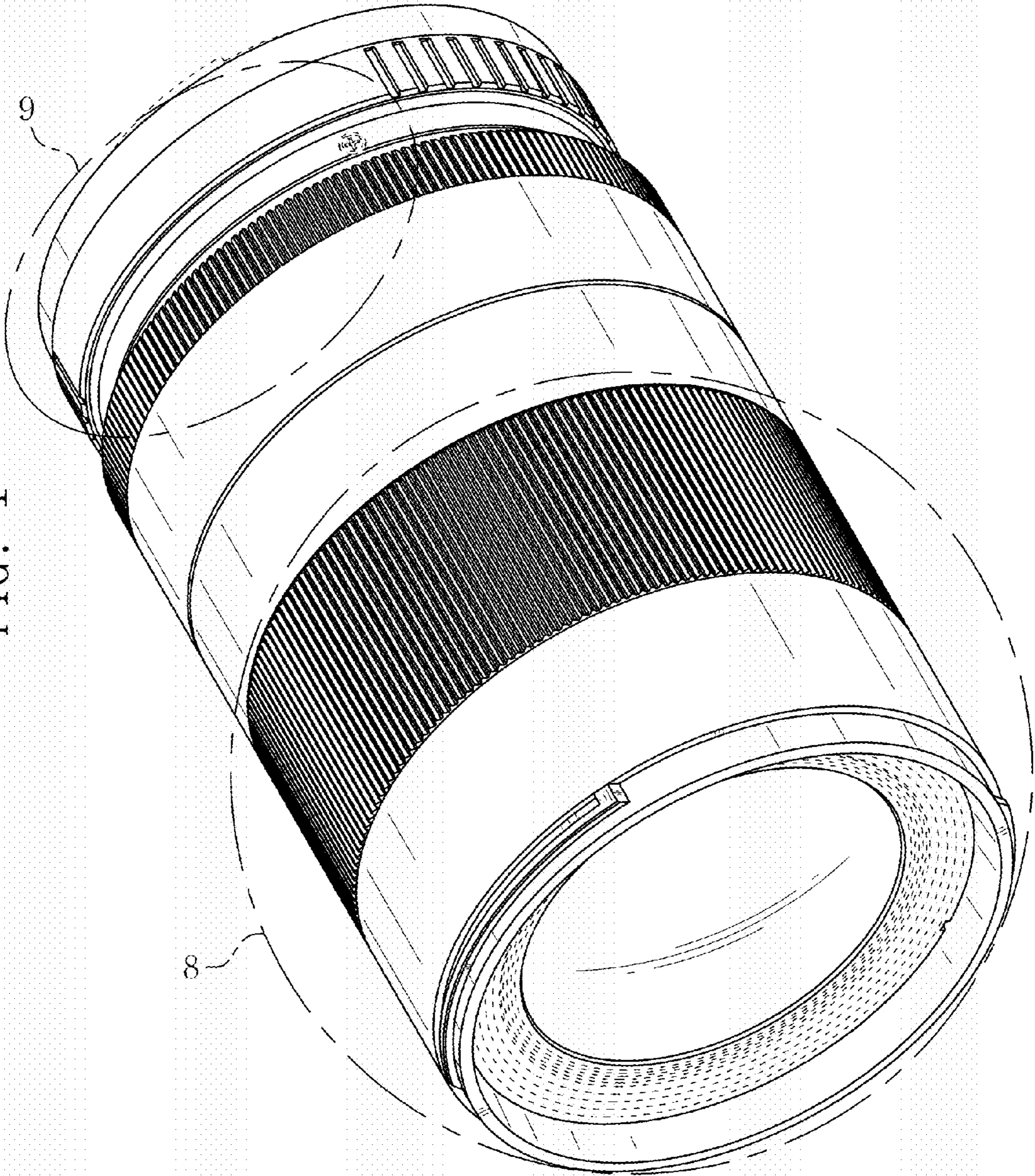


FIG. 2

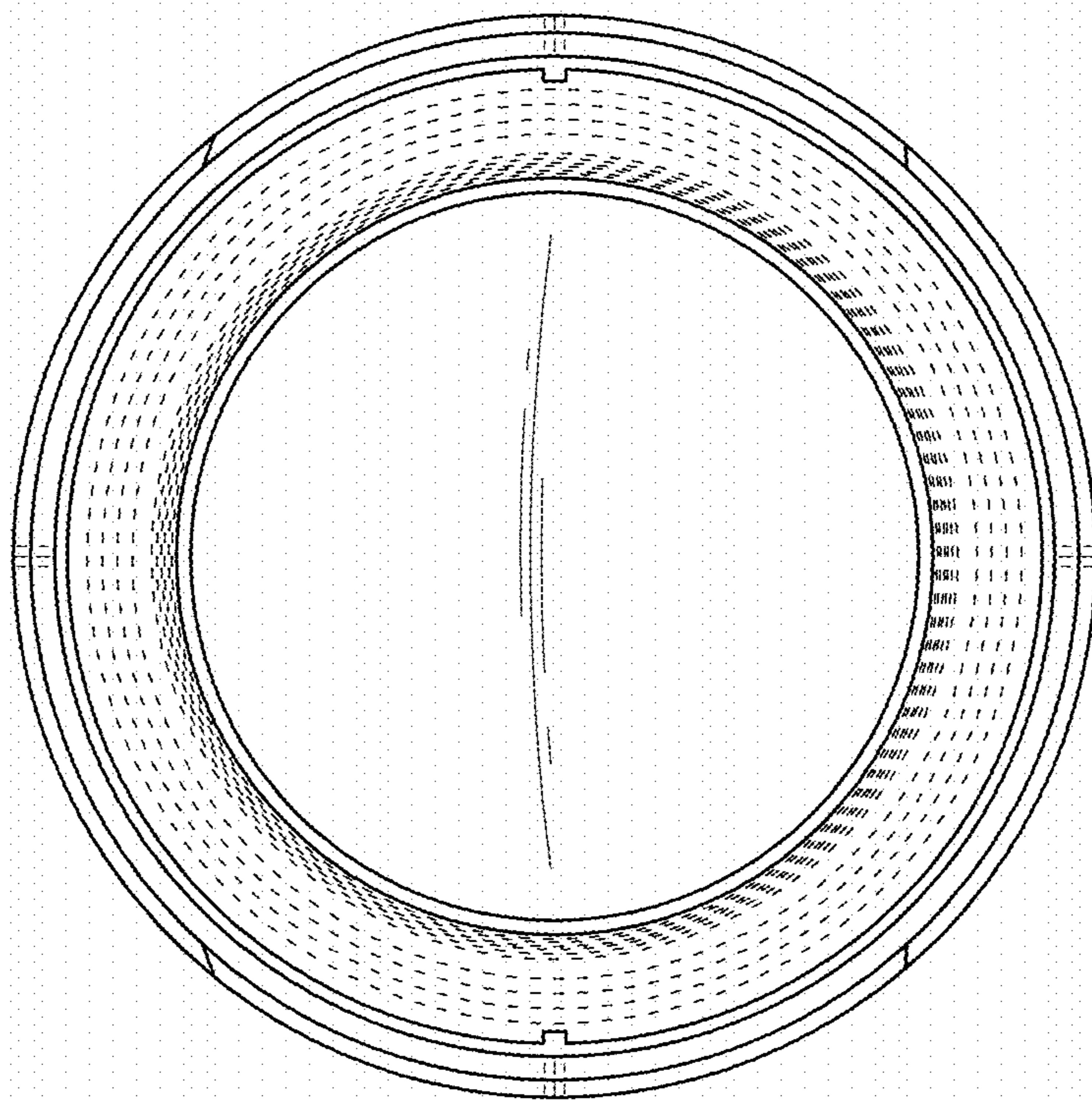


FIG. 3

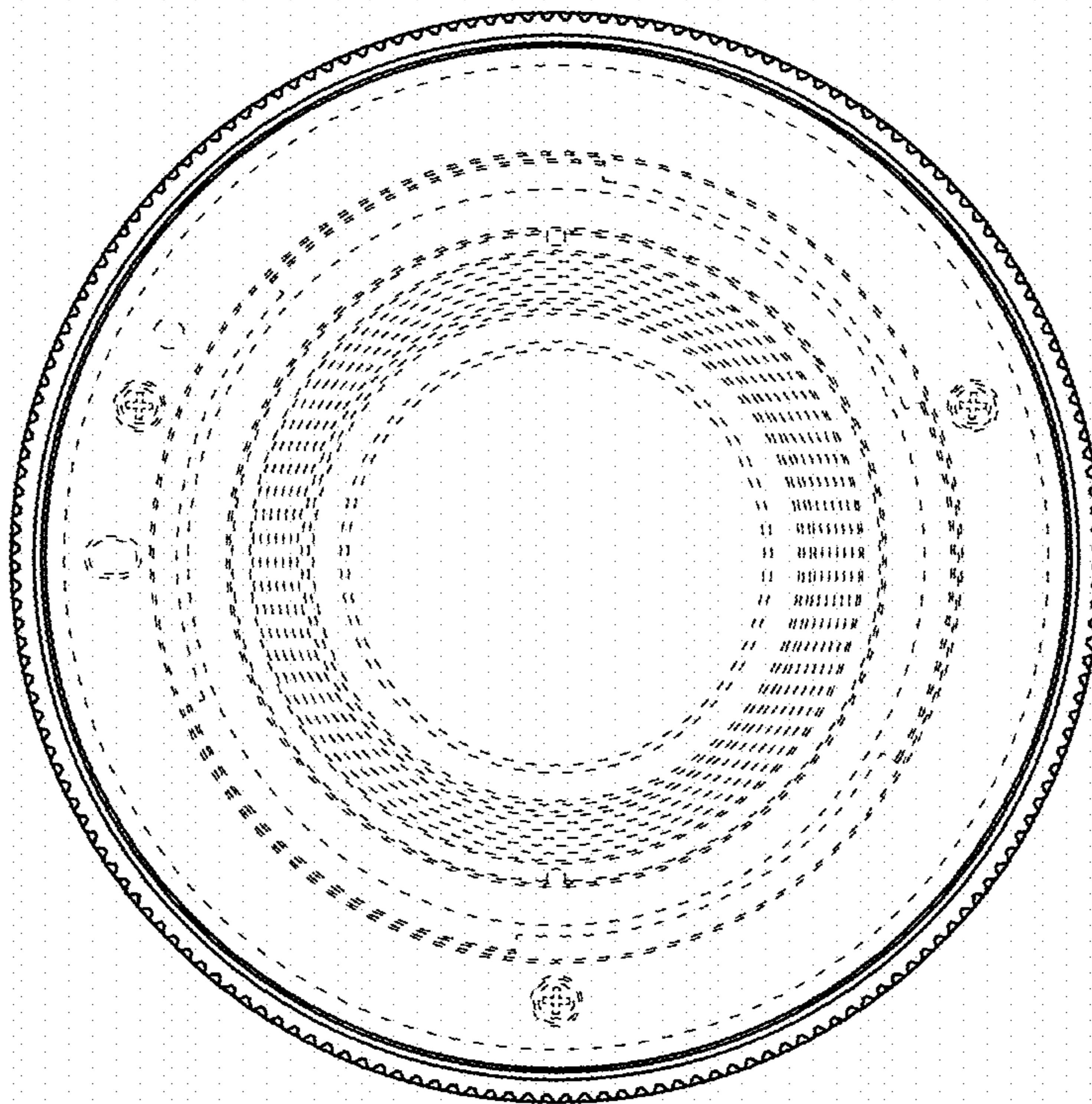


FIG. 4

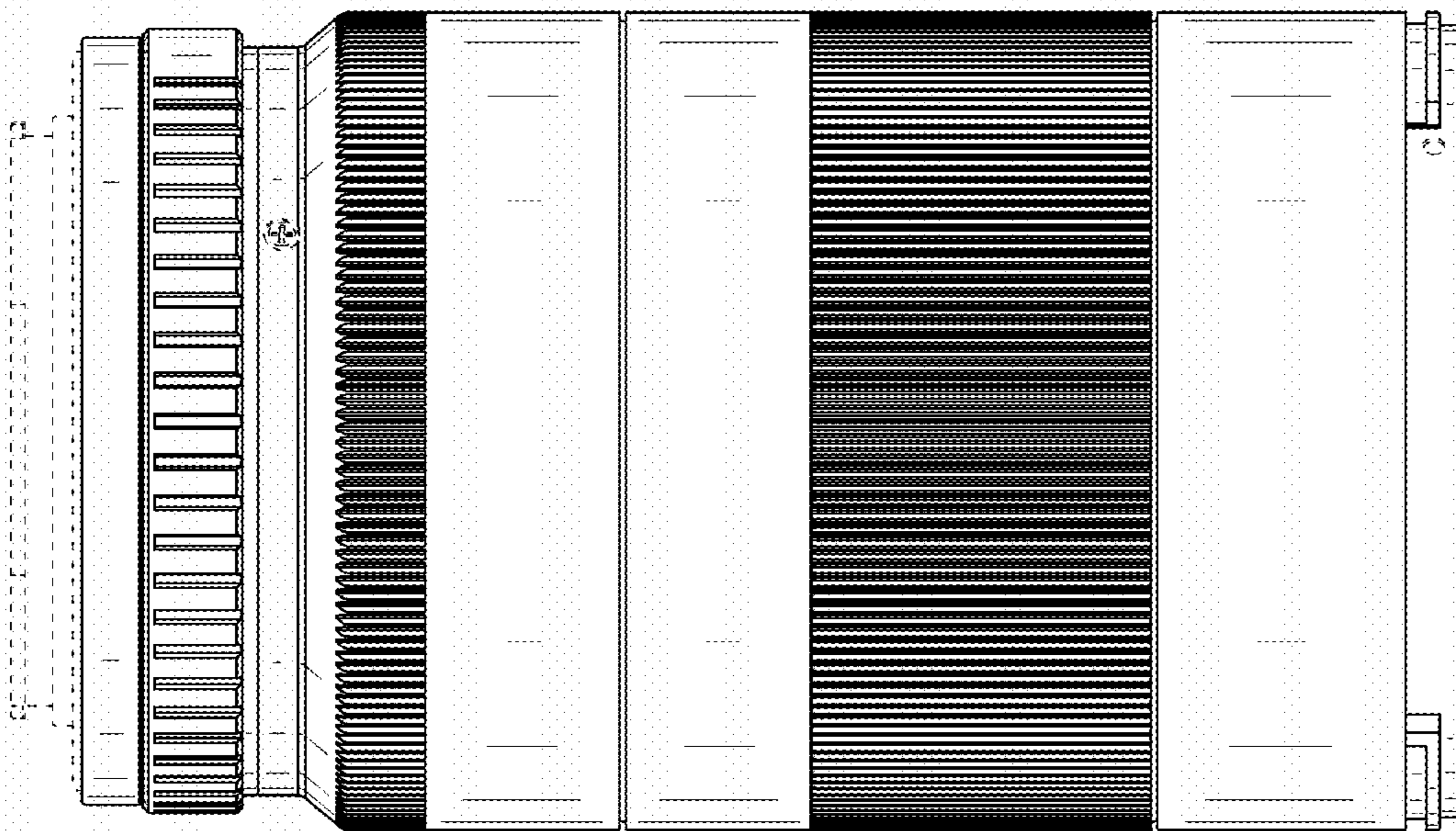


FIG. 5

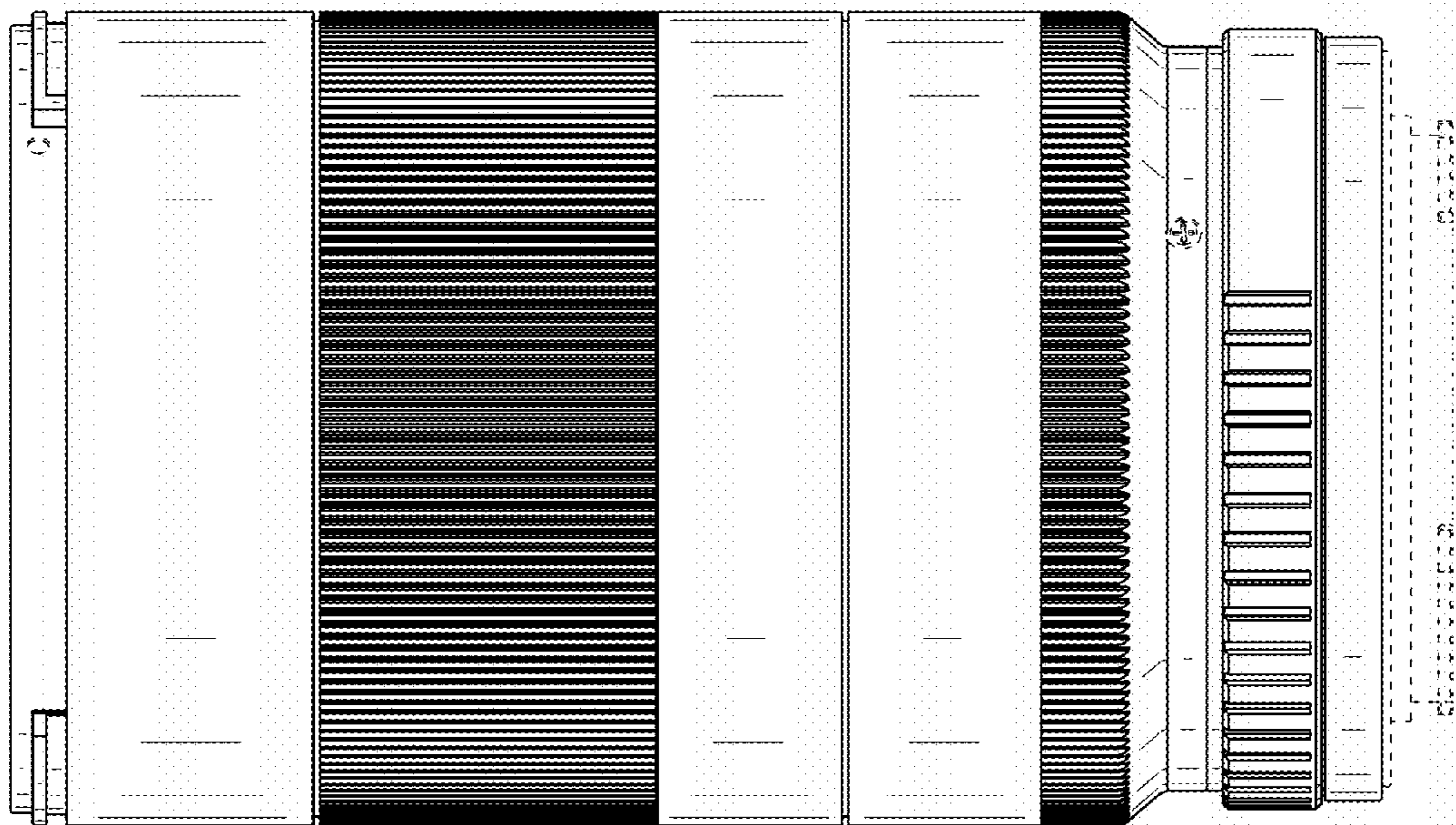


FIG. 6

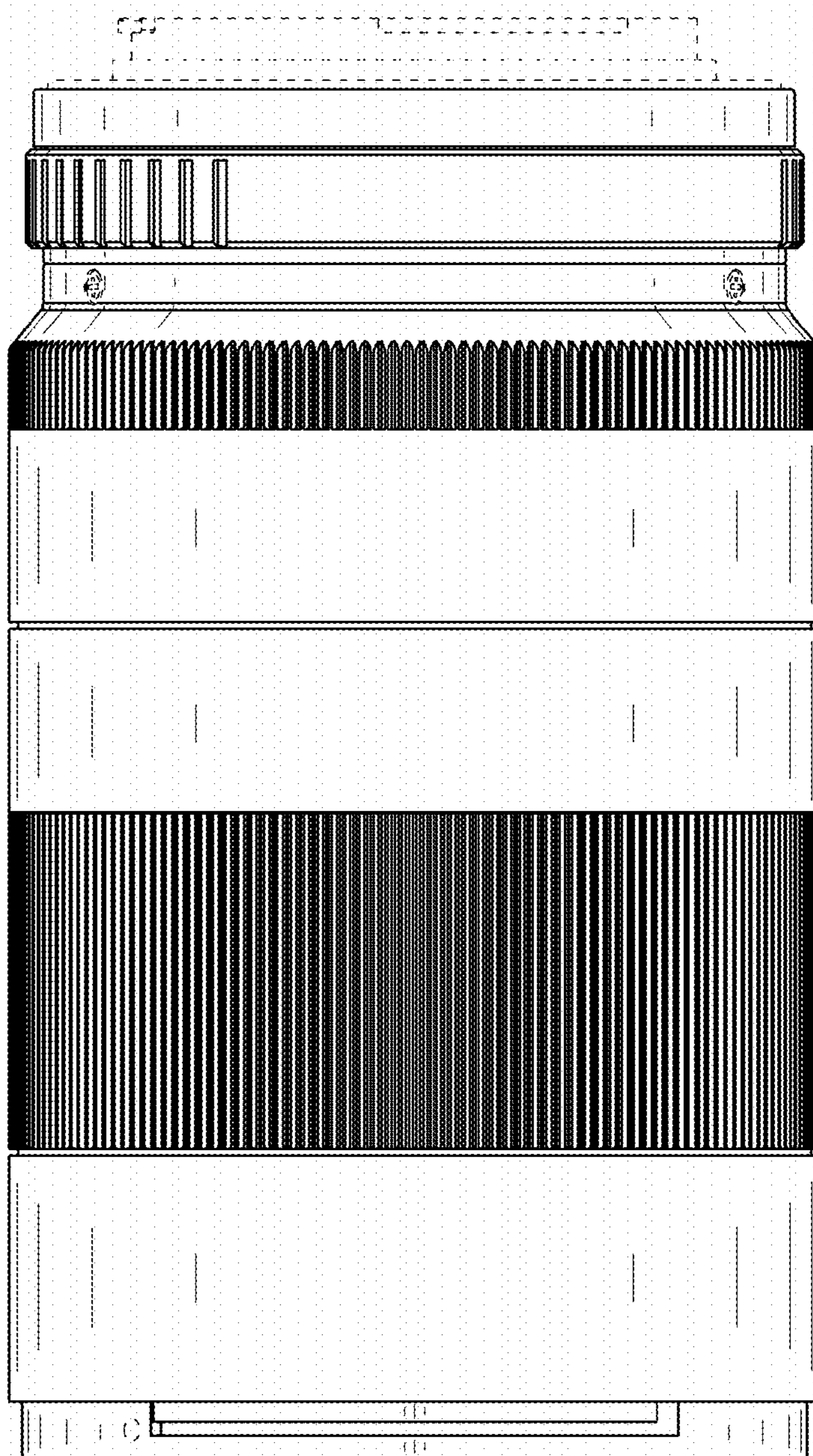


FIG. 7

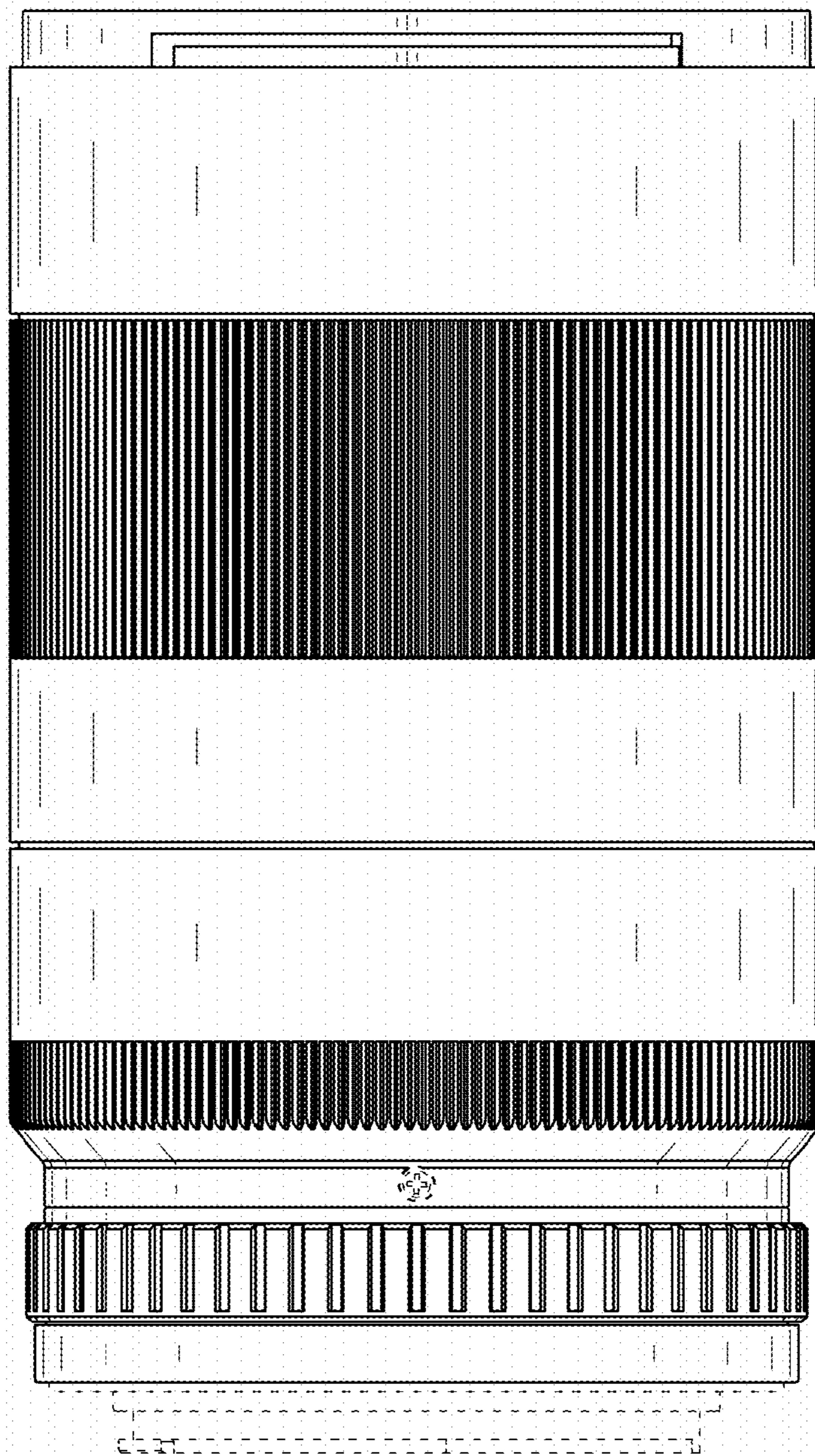


FIG. 8

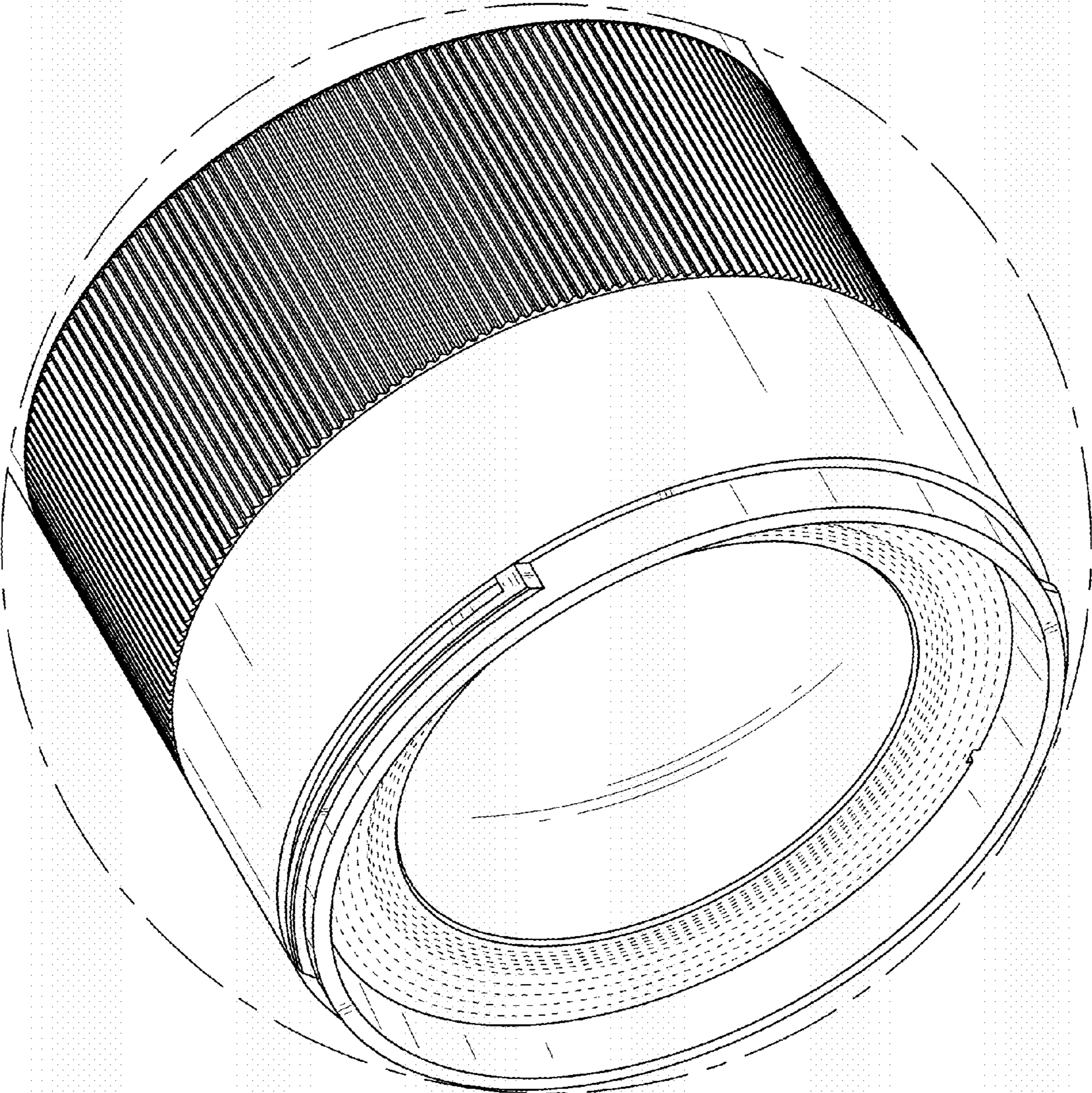


FIG. 9

