



US00D768223S

(12) **United States Design Patent**
Wu

(10) **Patent No.:** **US D768,223 S**
(45) **Date of Patent:** **** Oct. 4, 2016**

(54) **BULB-SHAPED SURVEILLANCE CAMERA**

(71) Applicant: **WELL SHIN TECHNOLOGY CO., LTD.**, Taipei (TW)

(72) Inventor: **Jui-Hsiung Wu**, Taipei (TW)

(73) Assignee: **Well Shin Technology Co., LTD.**, Taipei (TW)

(**) Term: **15 Years**

(21) Appl. No.: **29/534,017**

(22) Filed: **Jul. 24, 2015**

(51) **LOC (10) Cl.** **16-01**

(52) **U.S. Cl.**
USPC **D16/203; D26/2**

(58) **Field of Classification Search**
USPC D16/200, 202–206, 218, 219, 242;
D26/1–3; 313/315, 318.01; 348/143,
348/148, 151, 373–376; 396/419, 427, 535,
396/539–541
CPC G03B 17/02; G03B 19/04; G03B 17/56;
G03B 17/04; G03B 15/03; H04N 5/2251;
H04N 5/2252; H04N 5/2253; H04N 5/2254;
H04N 7/181; H04N 7/183; H04N 7/18;
G08B 13/1963; G08B 13/19619; G08B
13/19632

See application file for complete search history.

(56) **References Cited**

U.S. PATENT DOCUMENTS

D179,803 S * 3/1957 Gillette D16/202
D435,576 S * 12/2000 McBride D16/203

D435,577 S * 12/2000 McBride D16/203
D454,902 S * 3/2002 Hsu D16/202
D487,939 S * 3/2004 Smith D26/2
6,812,970 B1 * 11/2004 McBride G08B 13/19619
348/151
D532,809 S * 11/2006 Shih D16/202
D590,863 S * 4/2009 Ke D16/202
D592,231 S * 5/2009 Schnell D16/202
D705,334 S * 5/2014 Fransson D16/203
D740,873 S * 10/2015 Scalisi D16/203
2015/0077555 A1 * 3/2015 Scalisi H05B 37/0227
348/143

* cited by examiner

Primary Examiner — Susan E Krakower

Assistant Examiner — Ramzi Almatrahi

(74) *Attorney, Agent, or Firm* — LeClairRyan

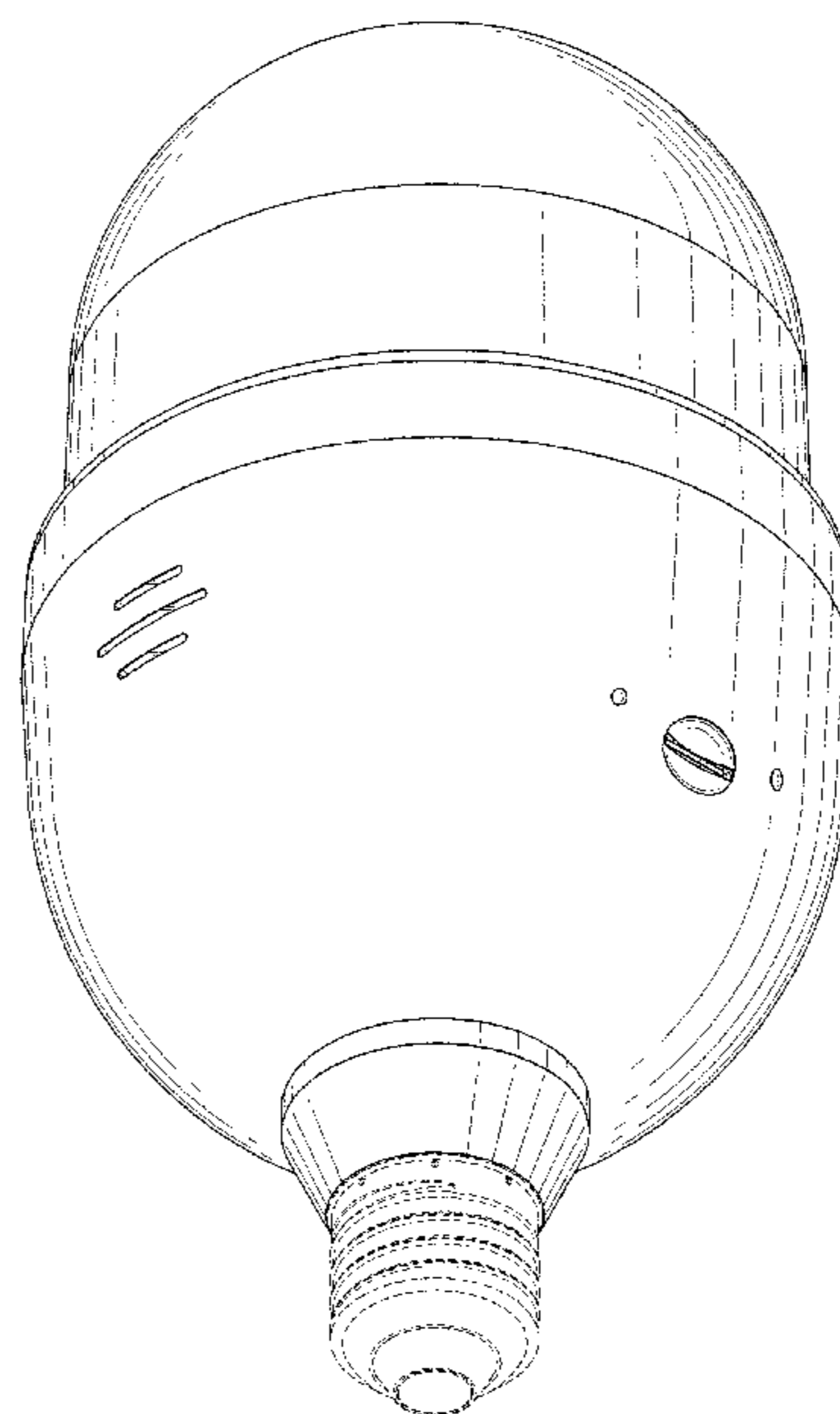
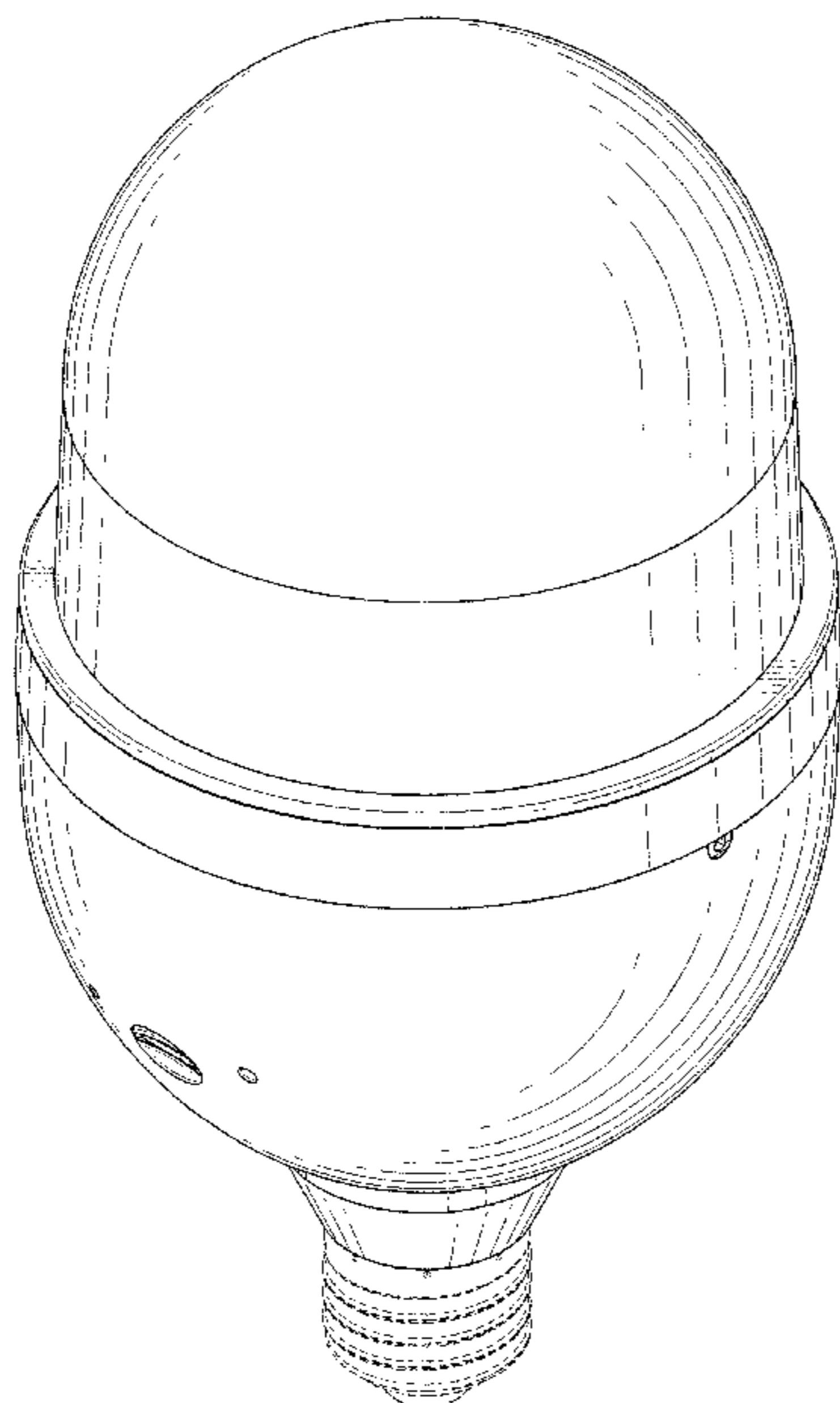
(57) **CLAIM**

The ornamental design for a bulb-shaped surveillance camera, as shown and described.

DESCRIPTION

FIG. 1 is a front perspective view of a bulb-shaped surveillance camera showing my new design; FIG. 2 is a front elevational view thereof; FIG. 3 is a rear elevational view thereof; FIG. 4 is a left side elevational view thereof; FIG. 5 is a right side elevational view thereof; FIG. 6 is a top plan view thereof; FIG. 7 is a bottom plan view thereof; and, FIG. 8 is a bottom perspective view thereof. The broken lines depict portions of a bulb-shaped surveillance camera in which the design is embodied that form no part of the claimed design.

1 Claim, 8 Drawing Sheets



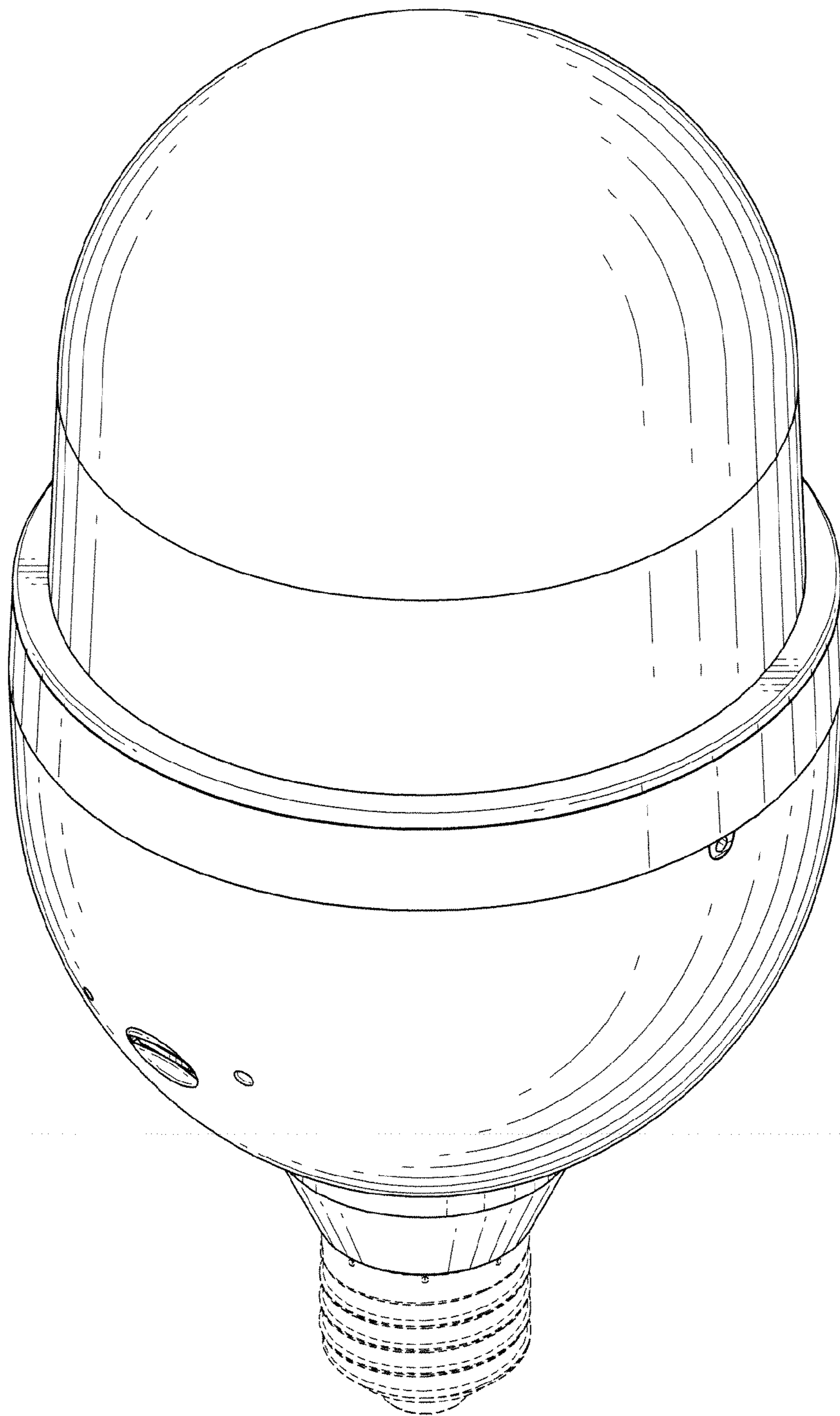


FIG. 1

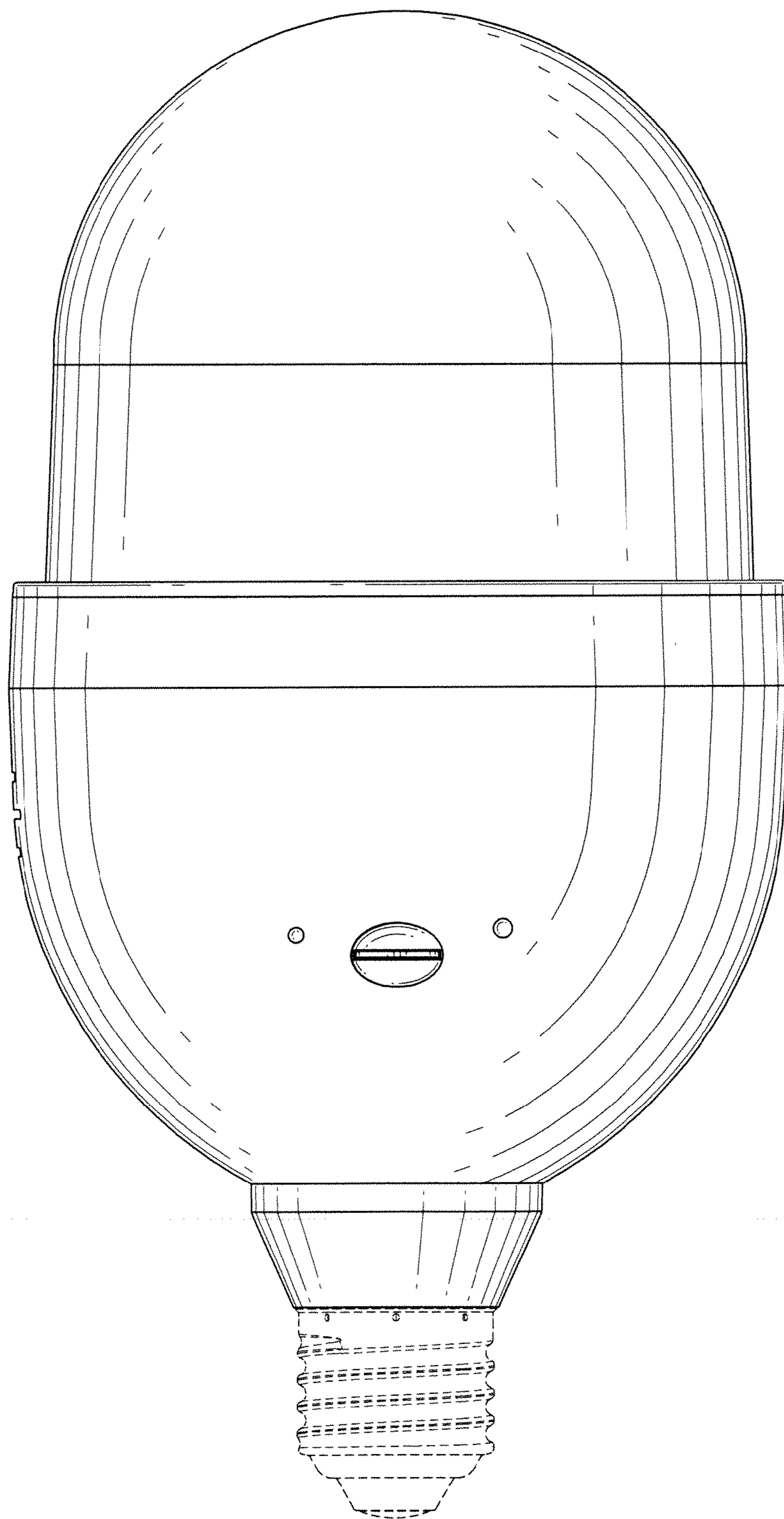


FIG. 2

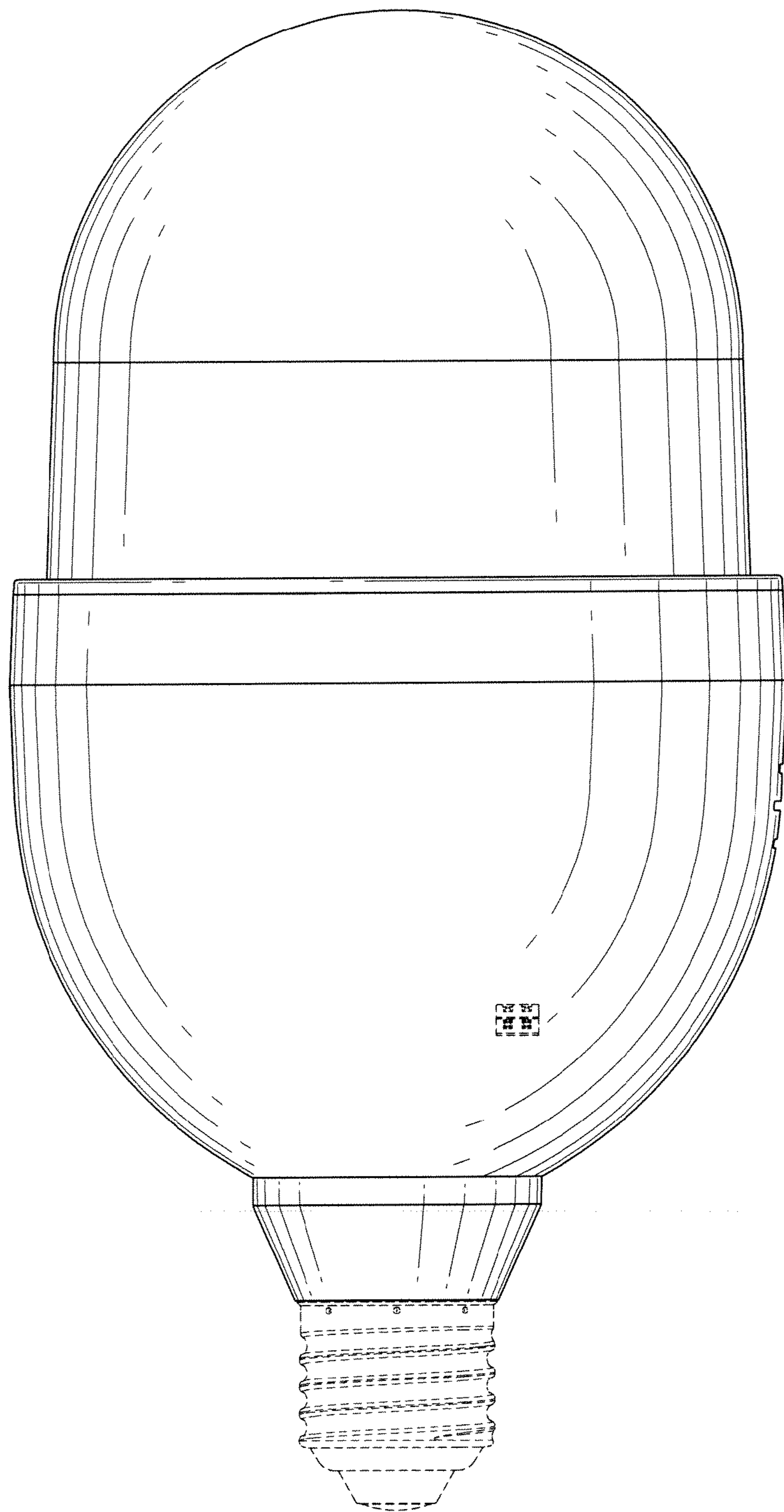


FIG. 3

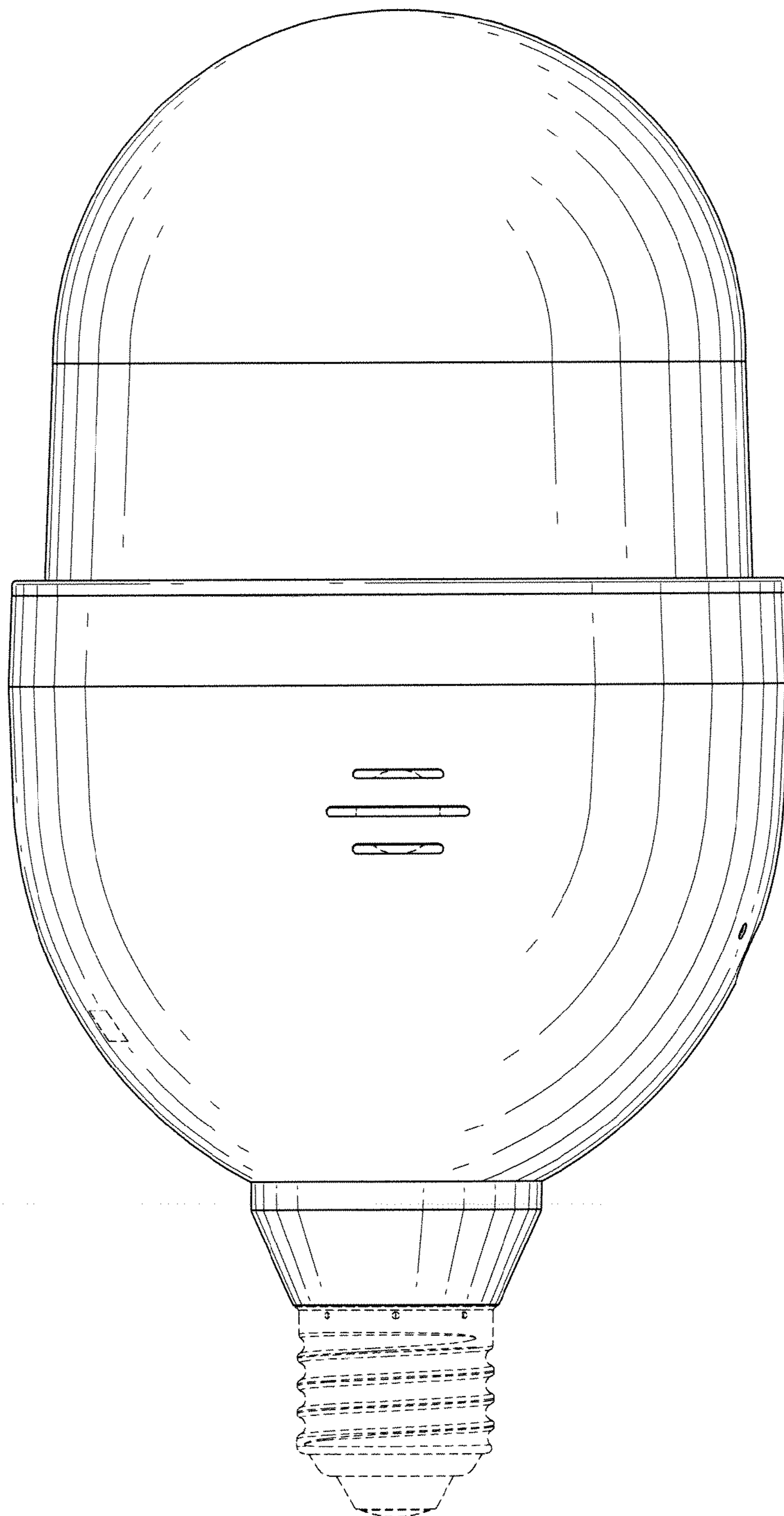


FIG. 4

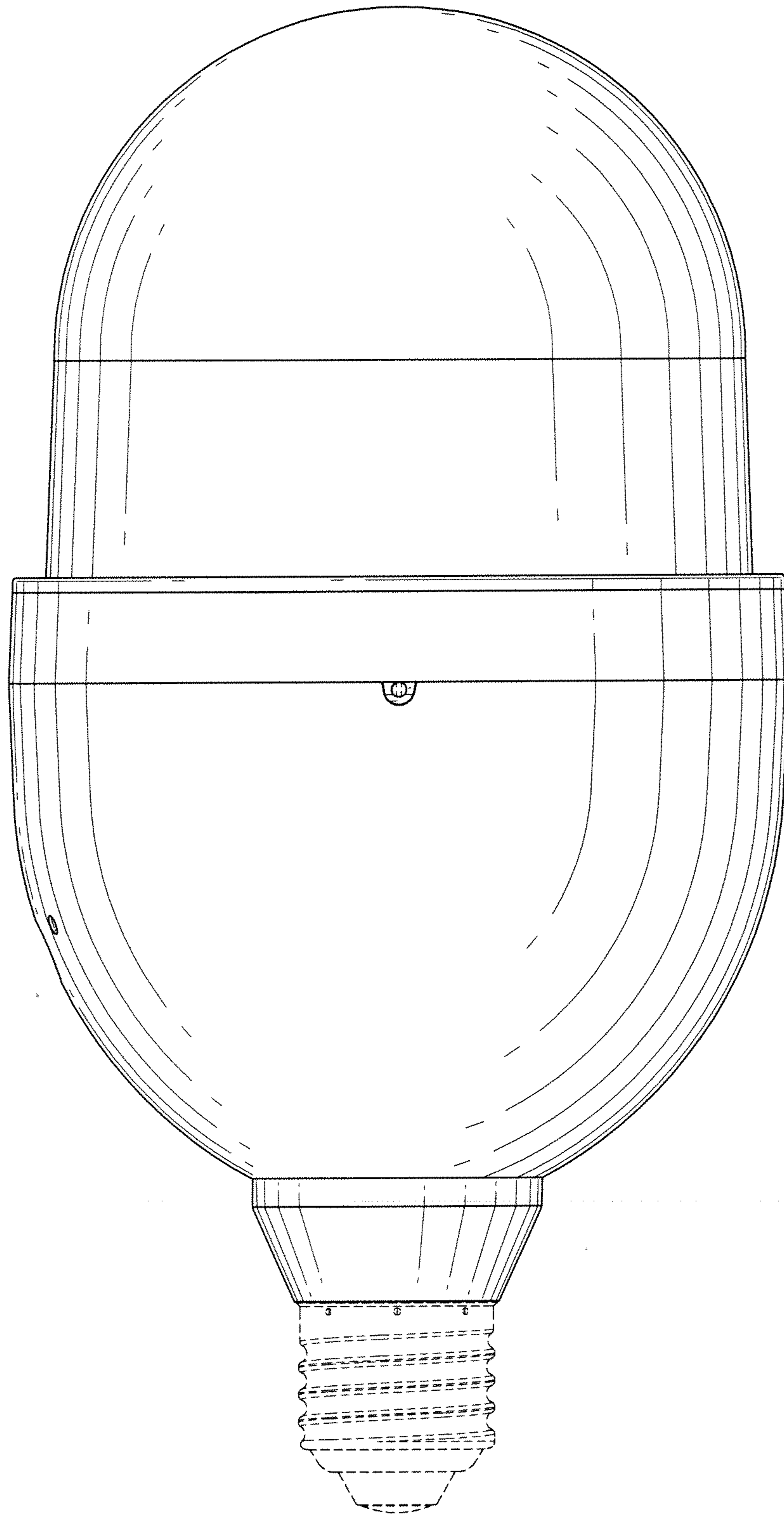


FIG. 5

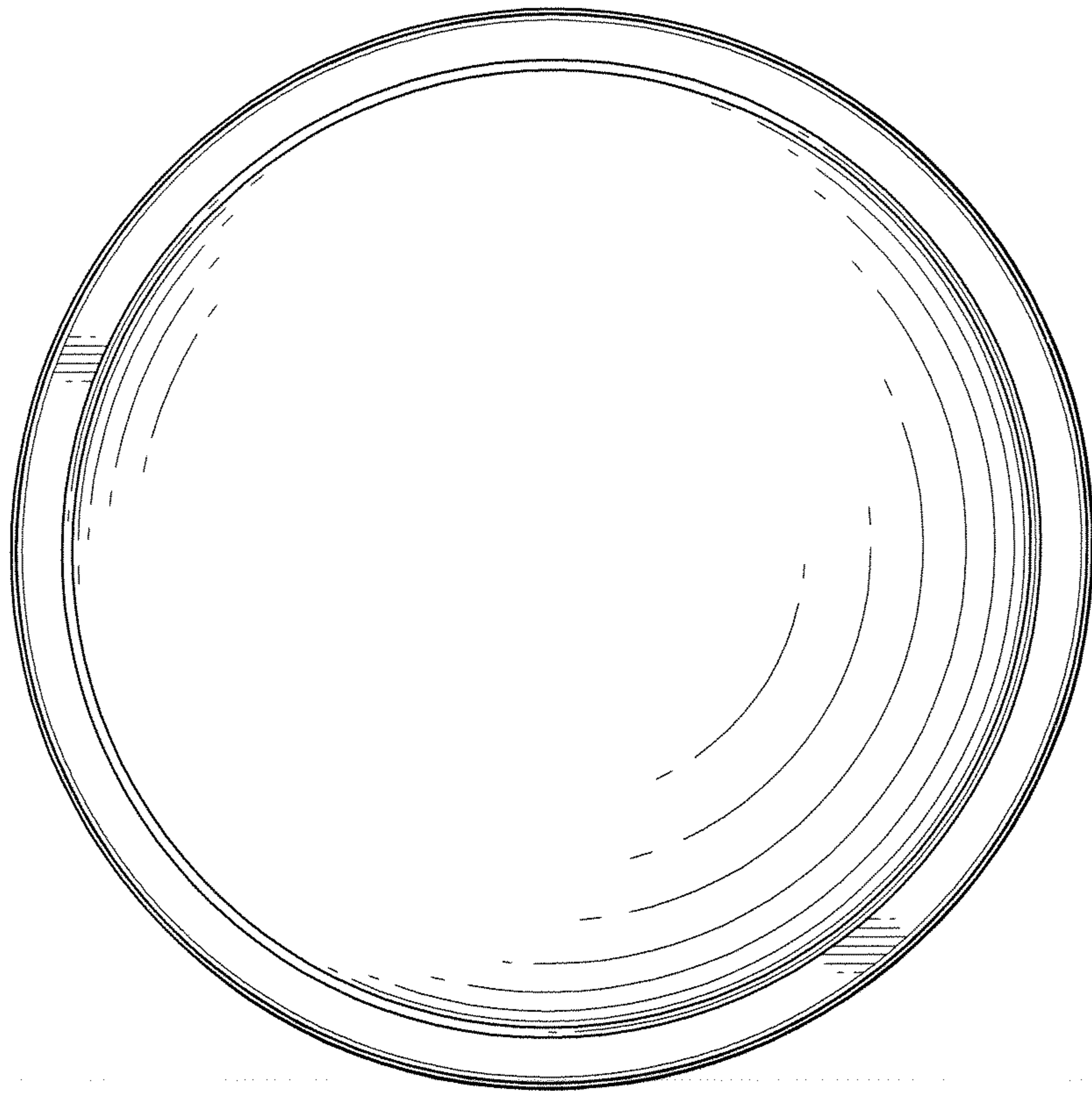


FIG. 6



FIG. 7

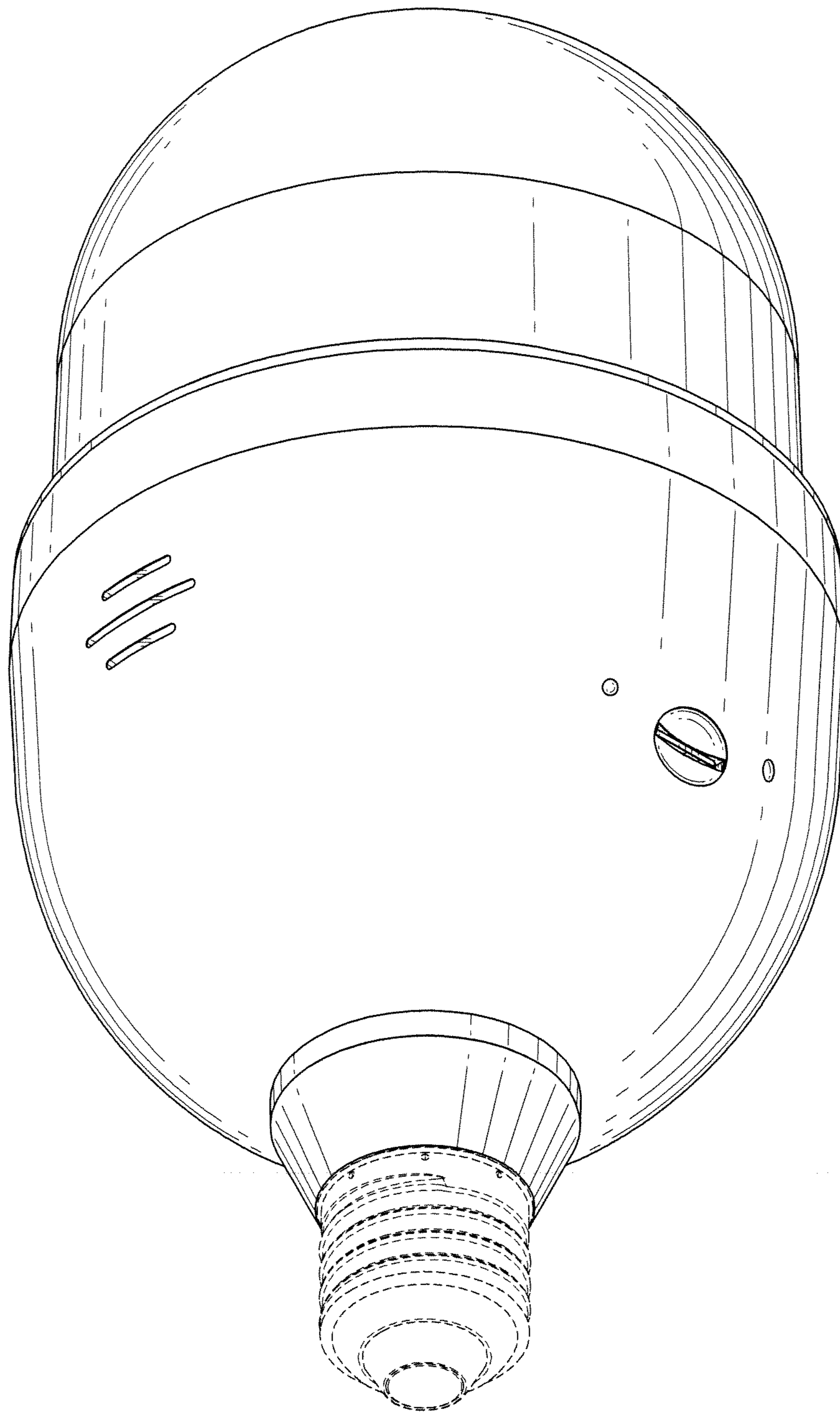


FIG. 8