

US00D768222S

(12) **United States Design Patent** (10) **Patent No.:** **US D768,222 S**  
**Duncan et al.** (45) **Date of Patent:** **\*\* Oct. 4, 2016**

- (54) **CAMERA HOUSING WITH CAMERA**
- (71) Applicant: **Rapid International, Inc.**, San Francisco, CA (US)
- (72) Inventors: **Connor J. Duncan**, San Francisco, CA (US); **Daniel S. Fuhrman**, Ketchum, ID (US); **John M. Prosser**, Mays Hill (AU); **Eric Andrew Dobbie**, Ketchum, ID (US)
- (73) Assignee: **MOHOC, Inc.**, San Francisco, CA (US)
- (\*\*) Term: **14 Years**
- (21) Appl. No.: **29/491,185**
- (22) Filed: **May 19, 2014**
- (51) **LOC (10) Cl.** ..... **16-01**
- (52) **U.S. Cl.**  
USPC ..... **D16/200**
- (58) **Field of Classification Search**  
USPC ..... D16/200-204, 208, 218, 219; 348/143, 348/148, 151, 373-376; 358/906; 396/419, 396/427, 428, 537-541  
CPC ..... G03B 15/03; G03B 17/02; G03B 17/04; G03B 17/48; G03B 17/56; G03B 19/04; G08G 1/0175; H04N 5/2251; H04N 2/2252; H04N 5/2253; H04N 5/2254; H04N 2101/00  
See application file for complete search history.

- D367,488 S \* 2/1996 Takano ..... D16/202
- D390,858 S \* 2/1998 Wen ..... D16/202
- D433,046 S \* 10/2000 Hall ..... D14/130
- D551,275 S \* 9/2007 Kim ..... D16/202
- D558,811 S \* 1/2008 Higgins ..... D16/203
- D672,382 S \* 12/2012 Zeinoun ..... D16/203
- D686,267 S \* 7/2013 Mihara ..... D16/202
- D691,646 S \* 10/2013 Bergstrom ..... D16/203
- D700,231 S \* 2/2014 Berkmortel ..... D16/203
- D705,843 S \* 5/2014 Kawai ..... D16/202

\* cited by examiner

*Primary Examiner* — Philip S Hyder

*Assistant Examiner* — Ramzi Almatrahi

(74) *Attorney, Agent, or Firm* — King IP Law; Joshua King

(57) **CLAIM**

The ornamental design for a camera housing with camera, as shown and described.

**DESCRIPTION**

FIG. 1 is a top, front, and right side isometric view of a camera housing with camera.

FIG. 2 is a top, rear, and right side isometric view thereof.

FIG. 3 is a bottom, front, and left side isometric view thereof.

FIG. 4 is a front elevational view thereof.

FIG. 5 is a rear elevational view thereof.

FIG. 6 is a left side elevational view thereof.

FIG. 7 is a right side elevational view thereof.

FIG. 8 is a bottom plan view thereof; and,

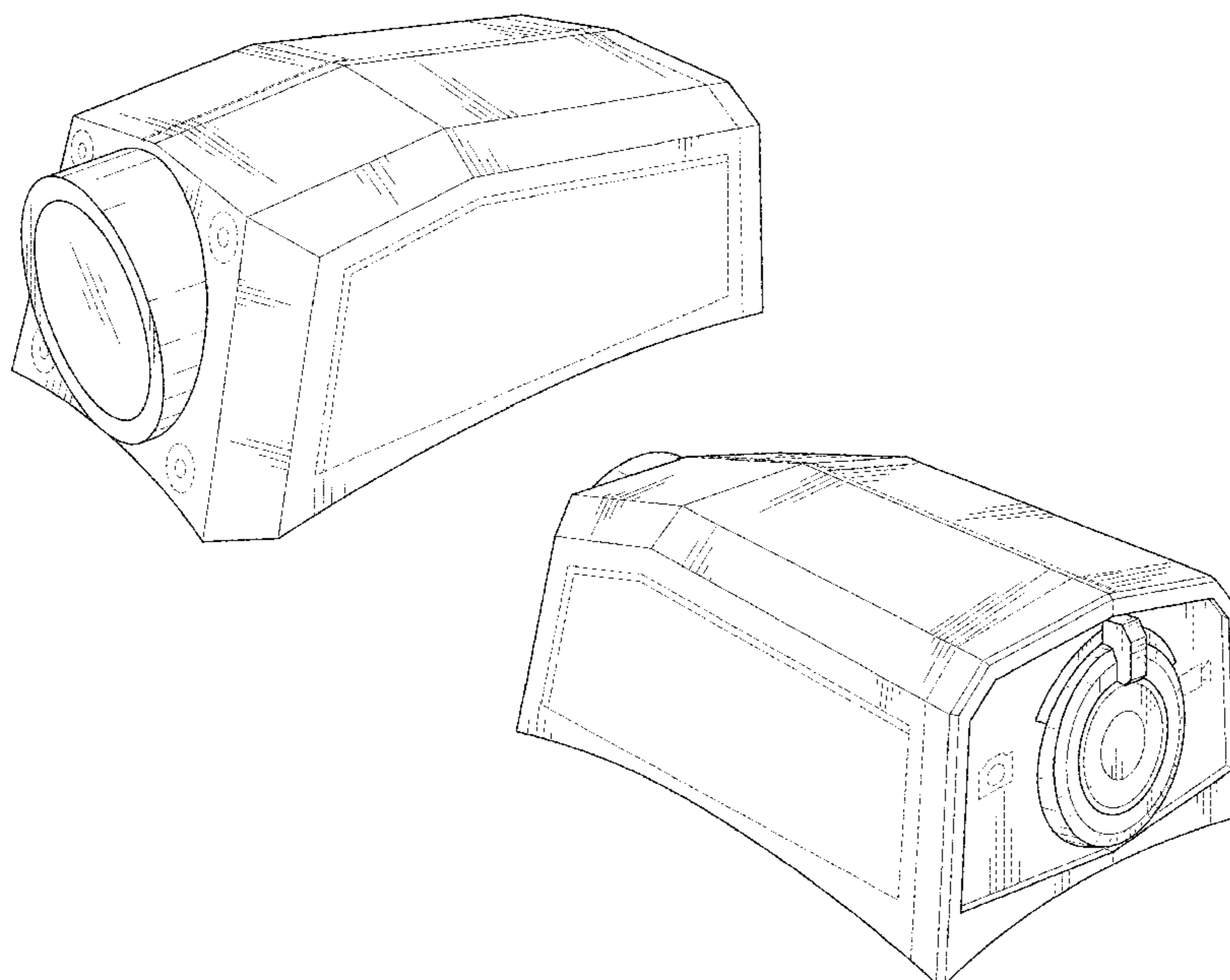
FIG. 9 is a top plan view thereof.

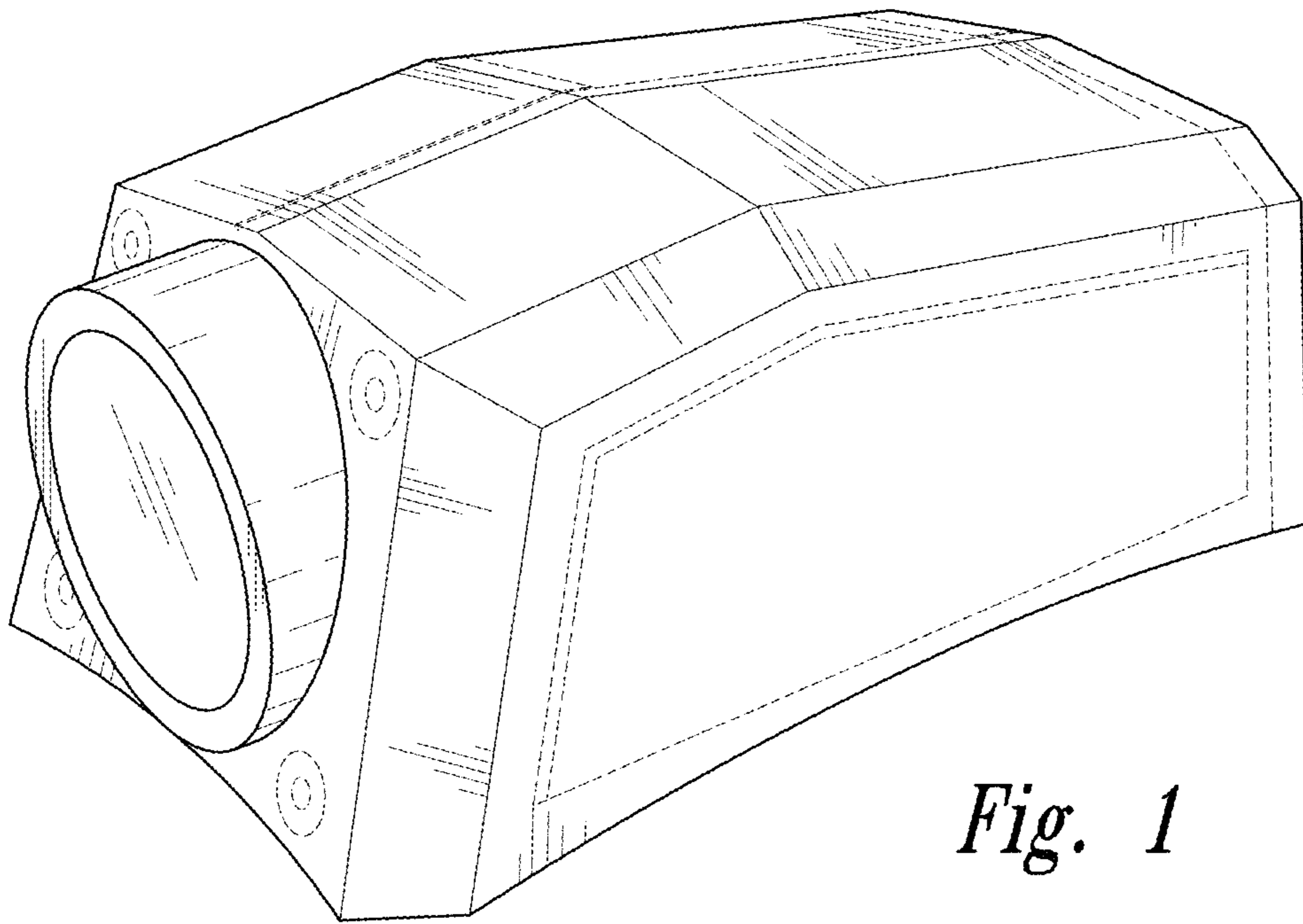
The broken lines depict portions of a camera housing with camera in which the design is embodied that form no part of the claimed design.

**1 Claim, 4 Drawing Sheets**

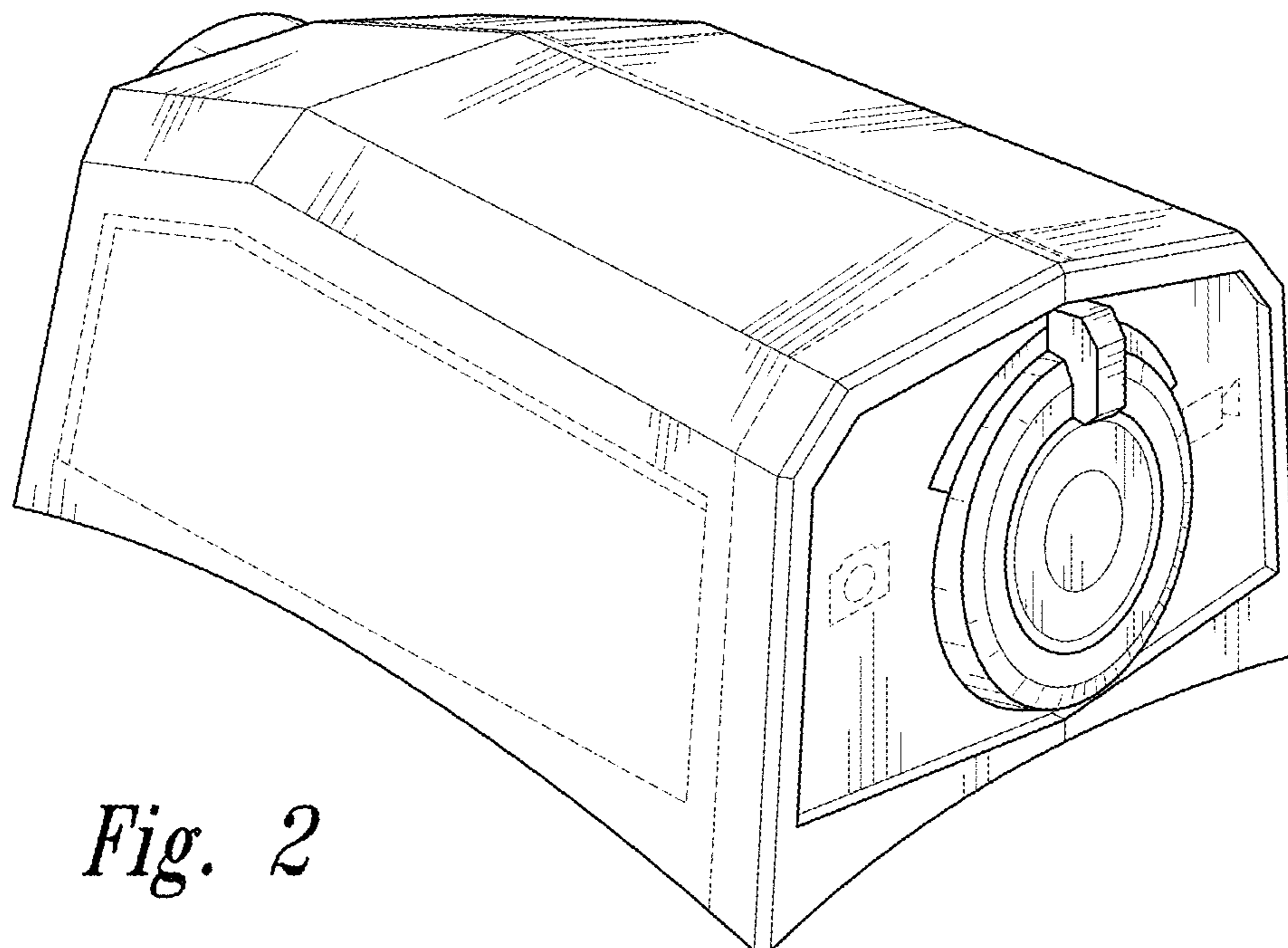
(56) **References Cited**  
U.S. PATENT DOCUMENTS

- D339,149 S \* 9/1993 Nakamura ..... D16/202
- D366,270 S \* 1/1996 Hasegawa ..... D16/203
- D366,271 S \* 1/1996 Hasegawa ..... D16/203

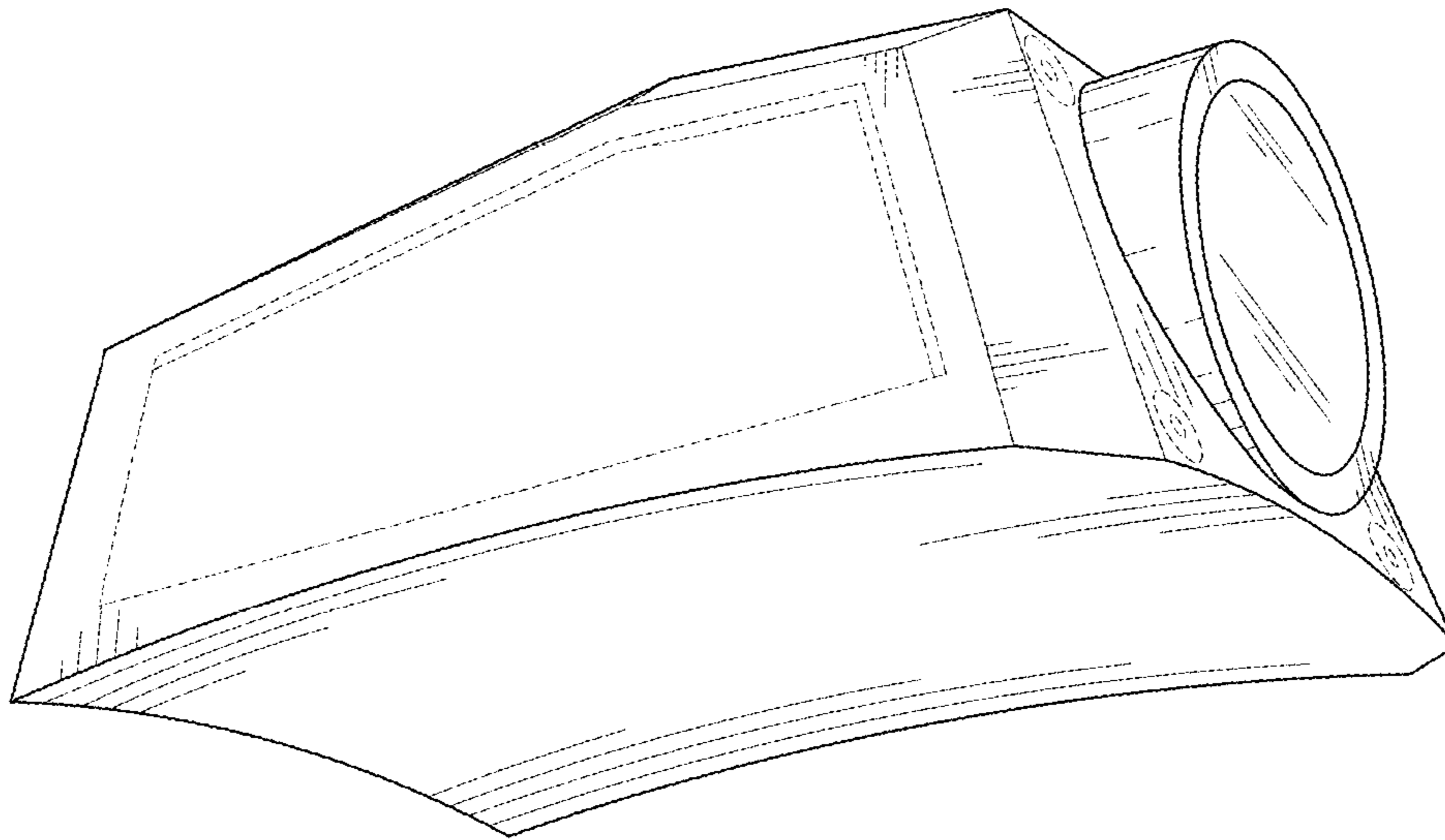




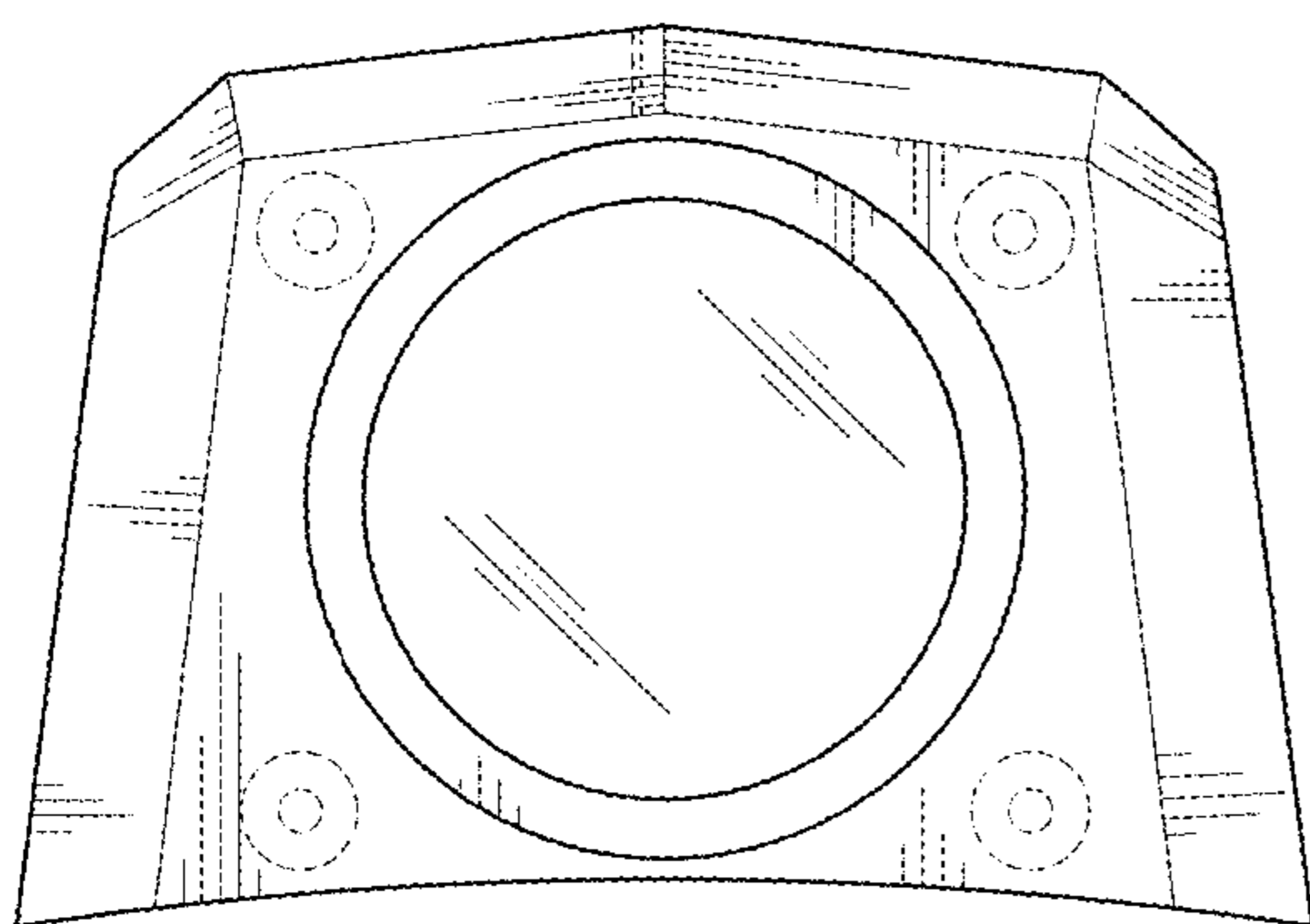
*Fig. 1*



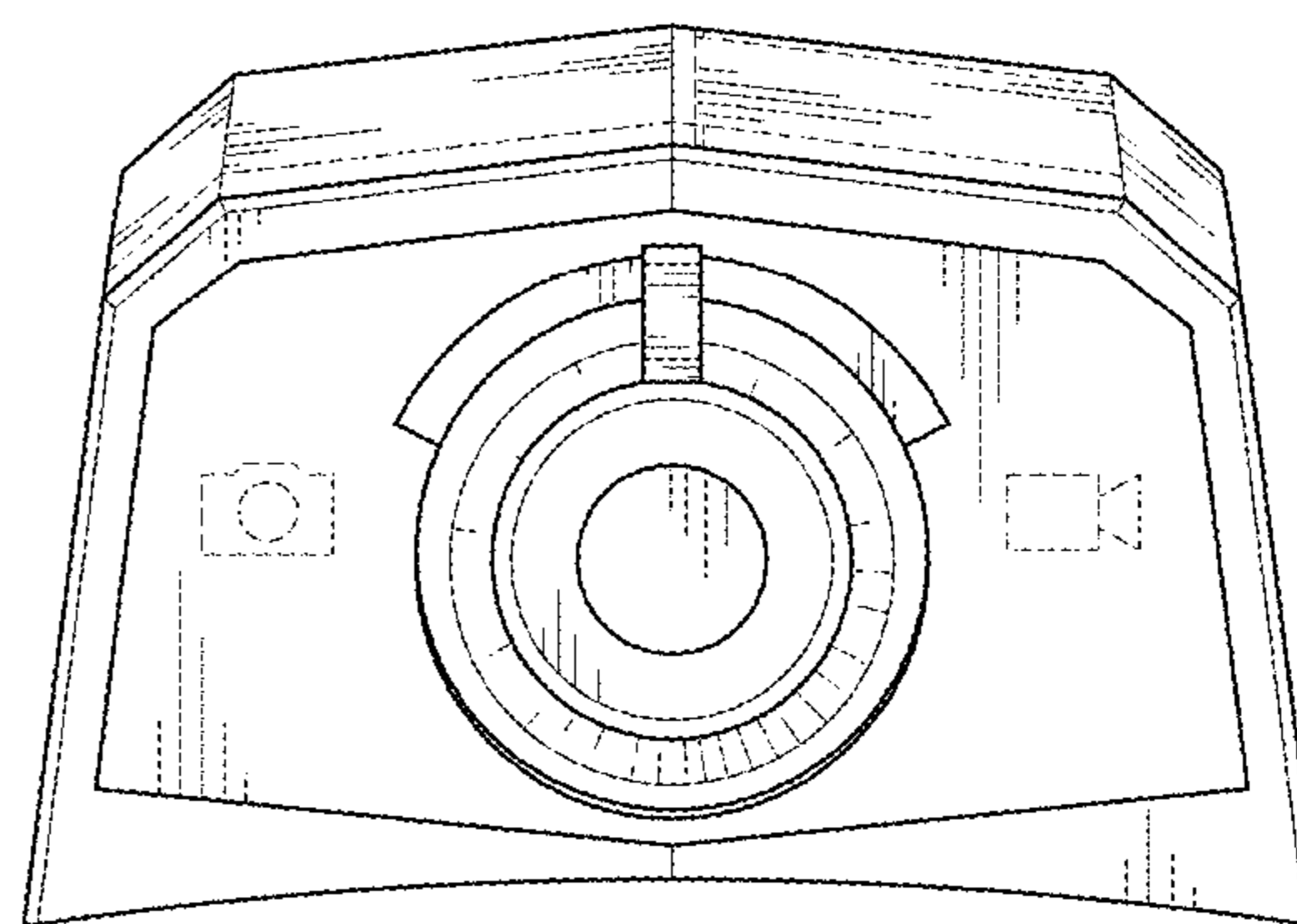
*Fig. 2*



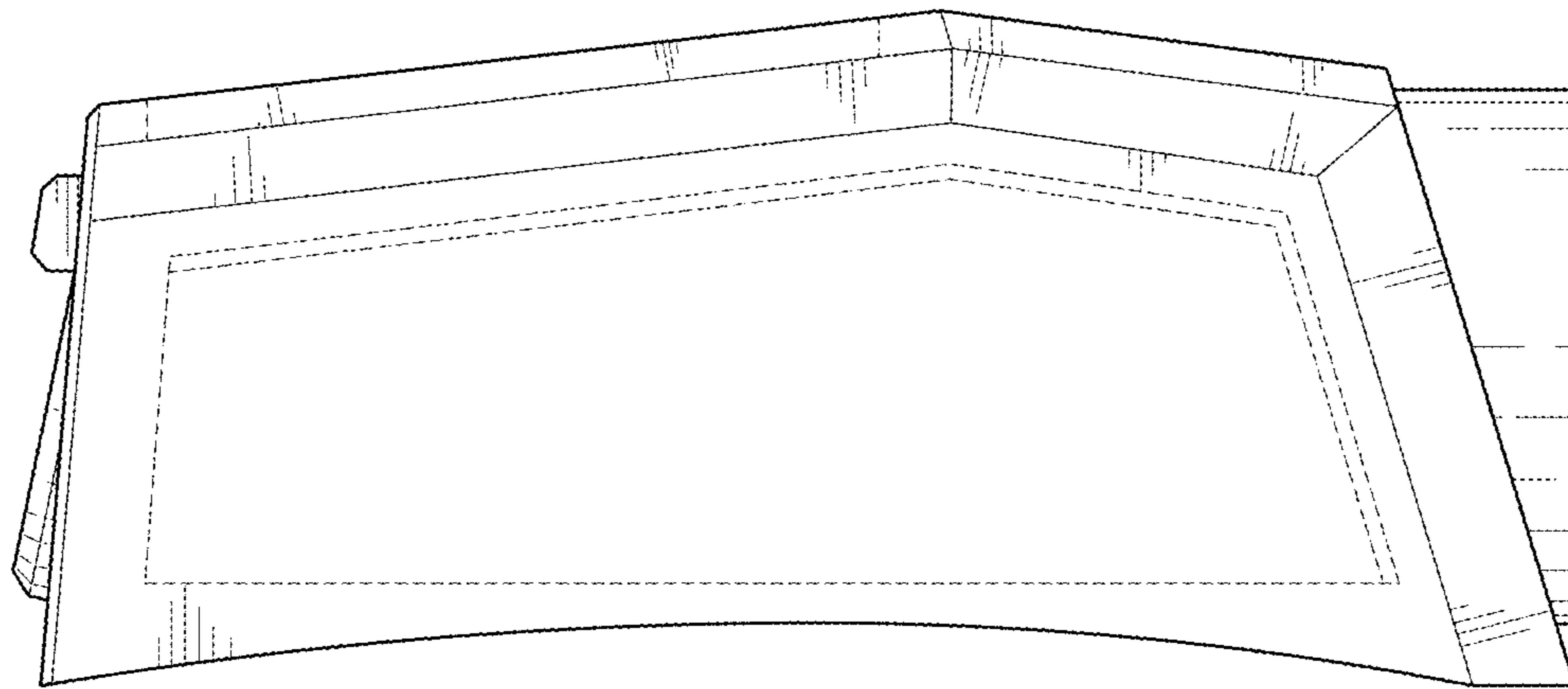
*Fig. 3*



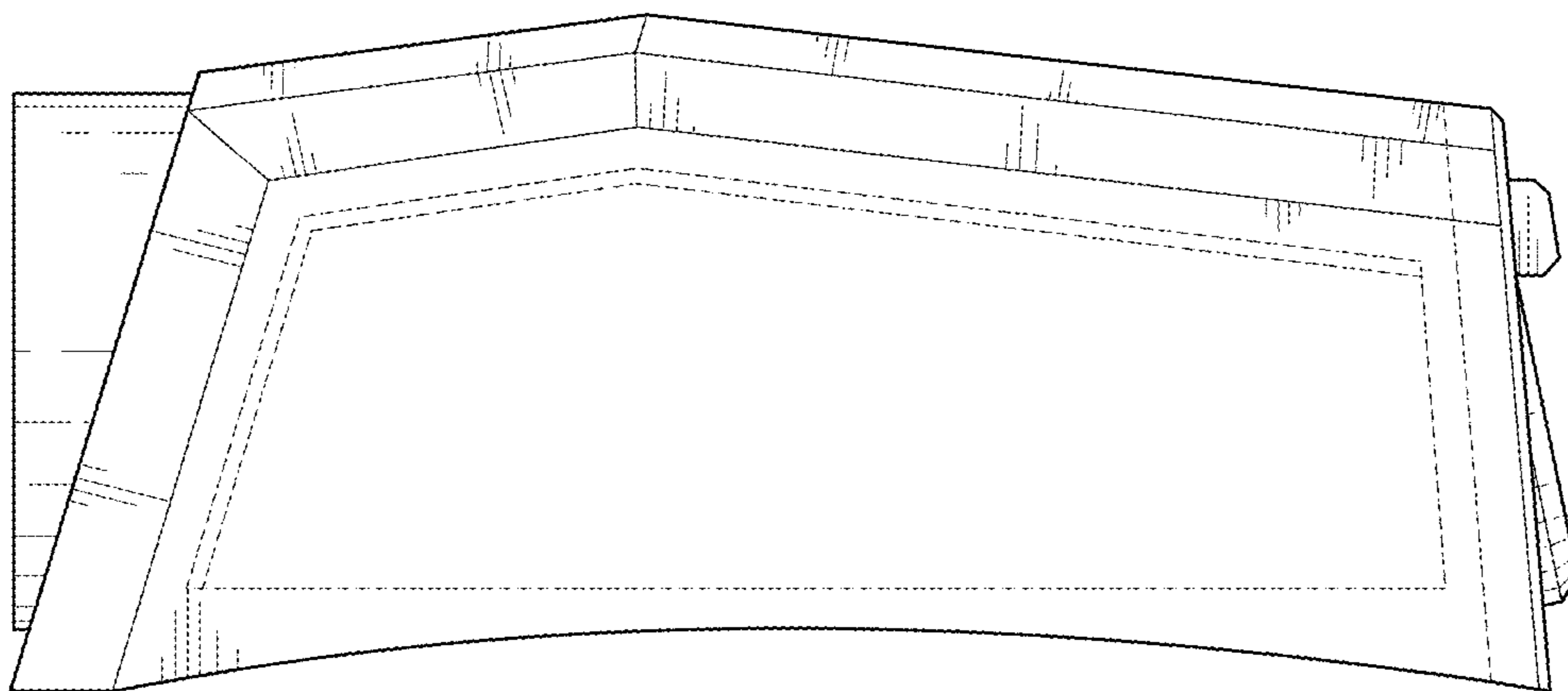
*Fig. 4*



*Fig. 5*

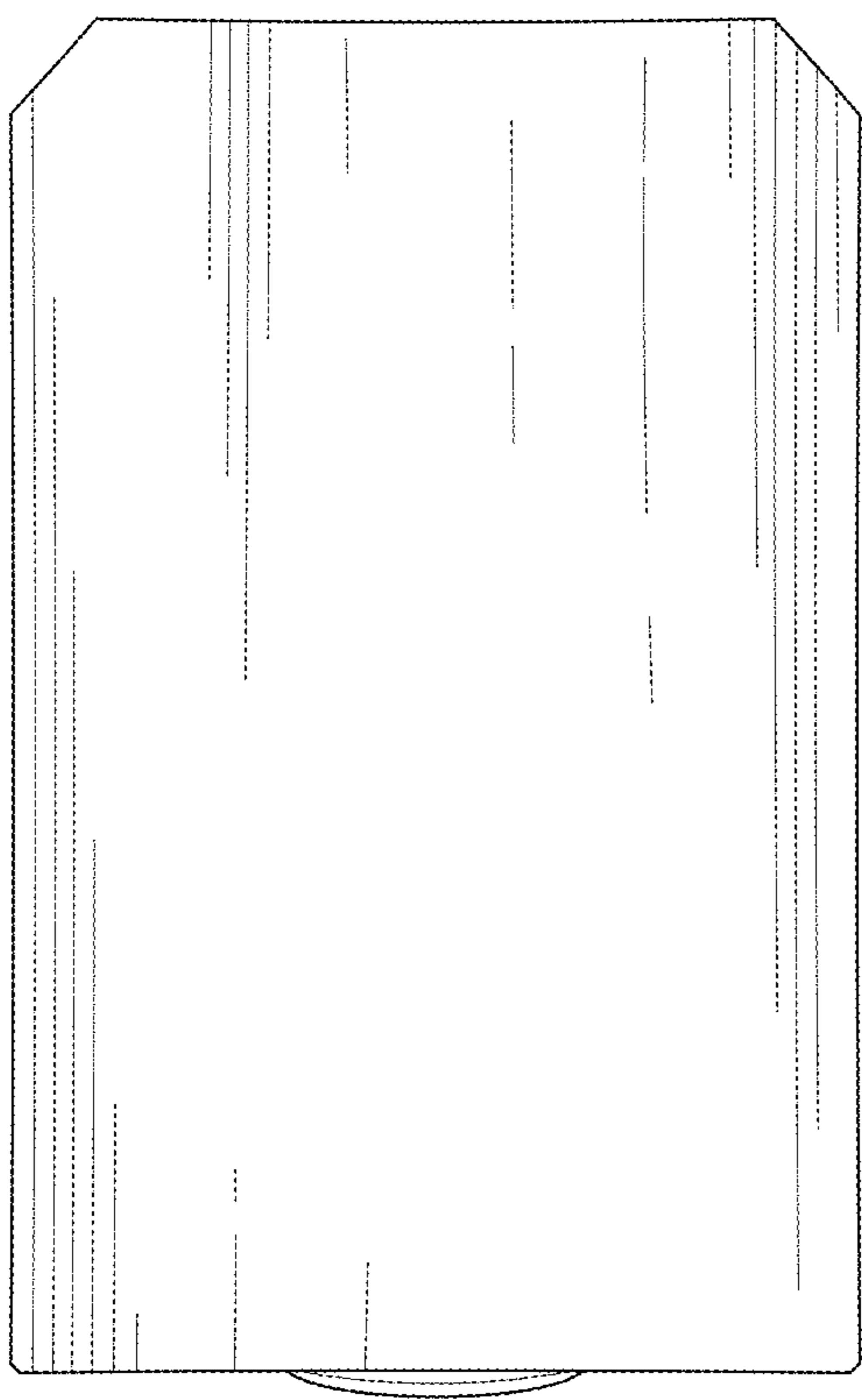


*Fig. 6*

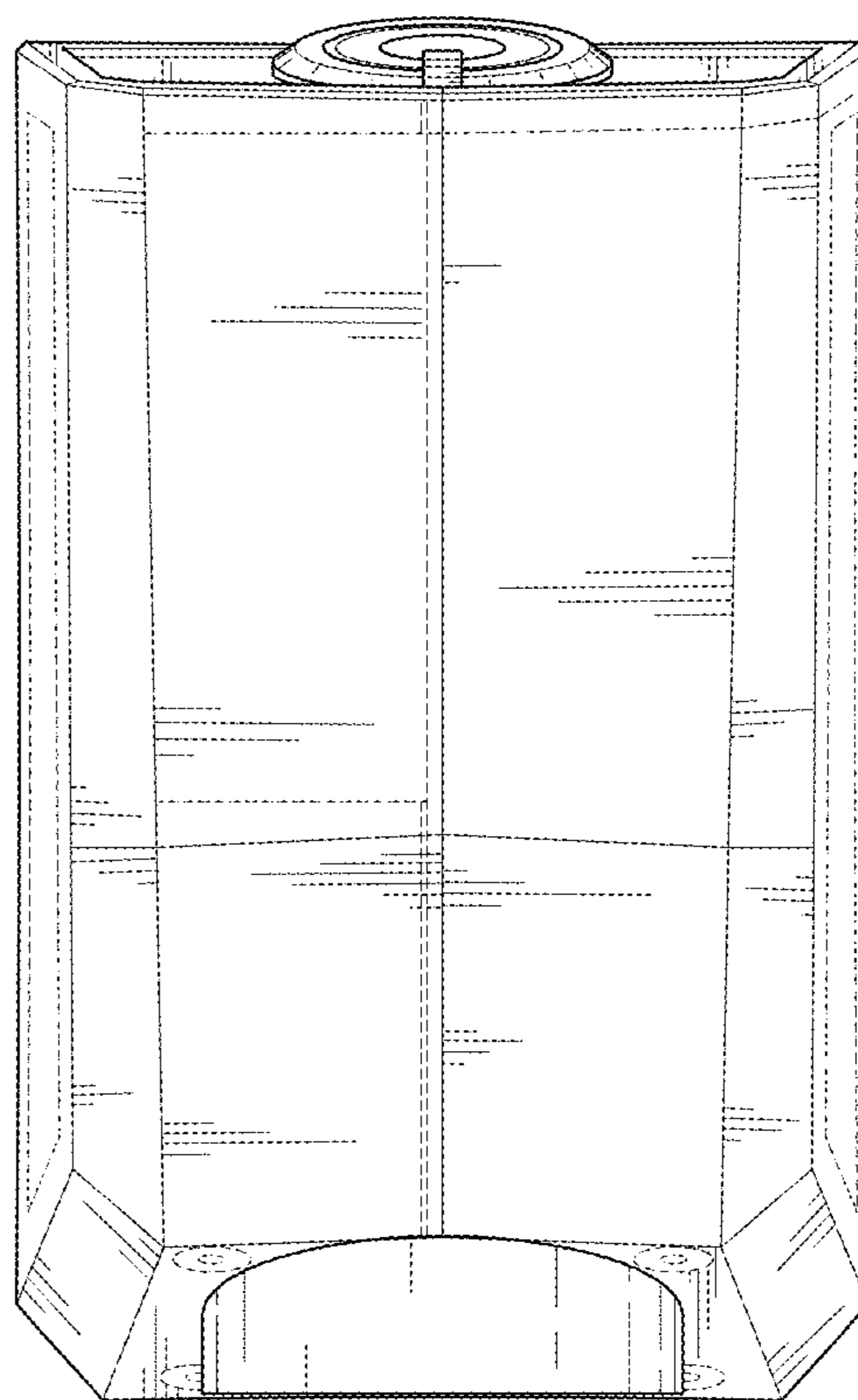


*Fig. 7*





*Fig. 8*



*Fig. 9*