

US00D768220S

(12) **United States Design Patent** (10) **Patent No.:** **US D768,220 S**
Kinoshita et al. (45) **Date of Patent:** **** Oct. 4, 2016**

(54) **INDUSTRIAL ROBOT**

(71) Applicant: **KABUSHIKI KAISHA YASKAWA DENKI**, Kitakyushu-shi (JP)

(72) Inventors: **Yusuke Kinoshita**, Fukuoka (JP); **Eiji Fujitsu**, Fukuoka (JP); **Kazuyoshi Nogami**, Fukuoka (JP)

(73) Assignee: **KABUSHIKI KAISHA YASKAWA DENKI**, Kitakyushu-Shi (JP)

(**) Term: **15 Years**

(21) Appl. No.: **29/537,547**

(22) Filed: **Aug. 26, 2015**

(30) **Foreign Application Priority Data**

Feb. 27, 2015 (JP) D2015-004289

(51) **LOC (10) Cl.** **15-99**

(52) **U.S. Cl.**
USPC **D15/199**

(58) **Field of Classification Search**
USPC D15/122, 199; D21/578-583, 621, 622
See application file for complete search history.

(56) **References Cited**

U.S. PATENT DOCUMENTS

| | | | | |
|----------------|---------|-----------|-------|------------------------|
| D267,883 S * | 2/1983 | Susnjara | | D15/122 |
| D279,572 S * | 7/1985 | Yasuoka | | D15/122 |
| D293,449 S * | 12/1987 | Kaufmann | | D15/122 |
| D296,790 S * | 7/1988 | Tsuburaya | | D15/122 |
| D300,935 S * | 5/1989 | Maddock | | D15/122 |
| D307,282 S * | 4/1990 | Suica | | D15/199 |
| D334,581 S * | 4/1993 | Yoshikawa | | D15/199 |
| D344,279 S * | 2/1994 | Koyama | | D15/199 |
| D344,280 S * | 2/1994 | Koyama | | D15/199 |
| D410,477 S * | 6/1999 | Nihei | | D15/199 |
| D616,909 S * | 6/2010 | Long | | D15/199 |
| 7,810,765 B2 * | 10/2010 | Burlot | | B25J 19/0025 248/75 |

| | | | | |
|--------------|---------|----------|-------|---------|
| D629,030 S * | 12/2010 | Long | | D15/199 |
| D636,004 S * | 4/2011 | Nakagiri | | D15/199 |
| D636,419 S * | 4/2011 | Nakagiri | | D15/199 |
| D636,803 S * | 4/2011 | Nakagiri | | D15/199 |
| D638,455 S * | 5/2011 | Long | | D15/199 |
| D650,820 S * | 12/2011 | Long | | D15/199 |

(Continued)

FOREIGN PATENT DOCUMENTS

JP D1363111 S 6/2009

OTHER PUBLICATIONS

Daihen Corporation, "Dawn of a New Age of Welding", Japan International Welding Show, May 16, 2014, p. 6.

Primary Examiner — Patricia Palasik

(74) *Attorney, Agent, or Firm* — Mori & Ward, LLP

(57) **CLAIM**

The ornamental design for an industrial robot, as shown and described.

DESCRIPTION

FIG. 1 is a front view of an industrial robot of the present invention.

FIG. 2 is a rear view of the industrial robot of FIG. 1.

FIG. 3 is a top plan view of the industrial robot of FIG. 1.

FIG. 4 is a bottom view of the industrial robot of FIG. 1.

FIG. 5 is a right side view of the industrial robot of FIG. 1.

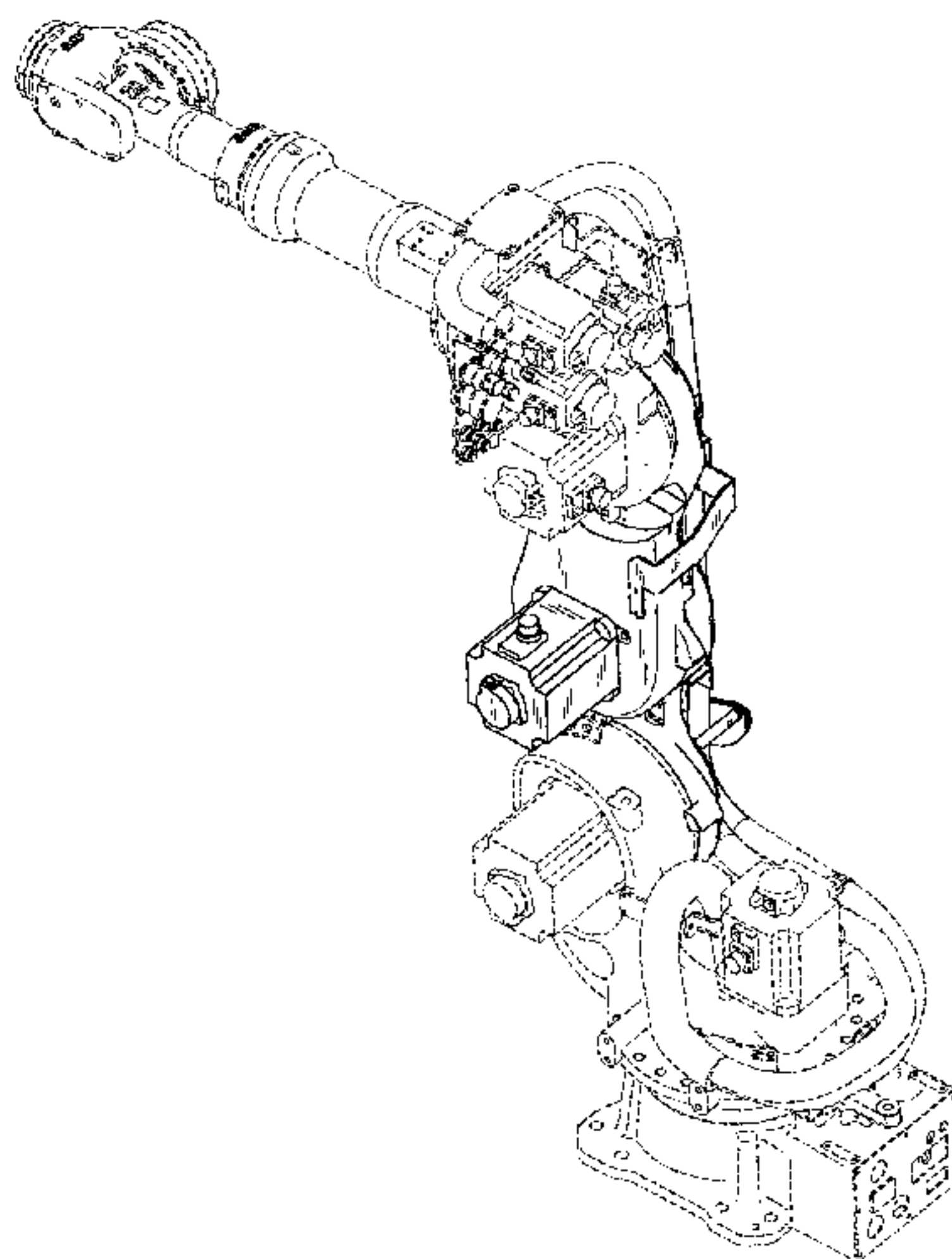
FIG. 6 is a left side view of the industrial robot of FIG. 1;

and,

FIG. 7 is a perspective view of the industrial robot of FIG. 1.

The features shown in dotted lines depict environmental subject matter only and form no part of the claimed design. The broken lines having alternating long and short segments define bounds of the claimed design and form no part thereof.

1 Claim, 7 Drawing Sheets



US D768,220 S

Page 2

(56)

References Cited

U.S. PATENT DOCUMENTS

| | | | | | | | | | |
|----------------|---------|----------|-------|---------------------------|-------------------|---------|---------|-------|---------------------------|
| D651,627 S * | 1/2012 | Long | | D15/199 | D704,757 S * | 5/2014 | Nagai | | D15/144 |
| D670,319 S * | 11/2012 | Liu | | D15/199 | D713,436 S * | 9/2014 | Liu | | D15/199 |
| 8,434,387 B2 * | 5/2013 | Nakagiri | | B25J 9/104 74/490.01 | 2005/0092122 A1 * | 5/2005 | Markert | | B25J 19/0075 74/490.01 |
| 8,537,346 B2 * | 9/2013 | Nakagiri | | B25J 9/1692 356/139.07 | 2005/0126327 A1 * | 6/2005 | Markert | | B25J 19/0054 74/490.02 |
| | | | | | 2008/0271561 A1 * | 11/2008 | Ohara | | B23K 9/133 74/490.01 |

* cited by examiner

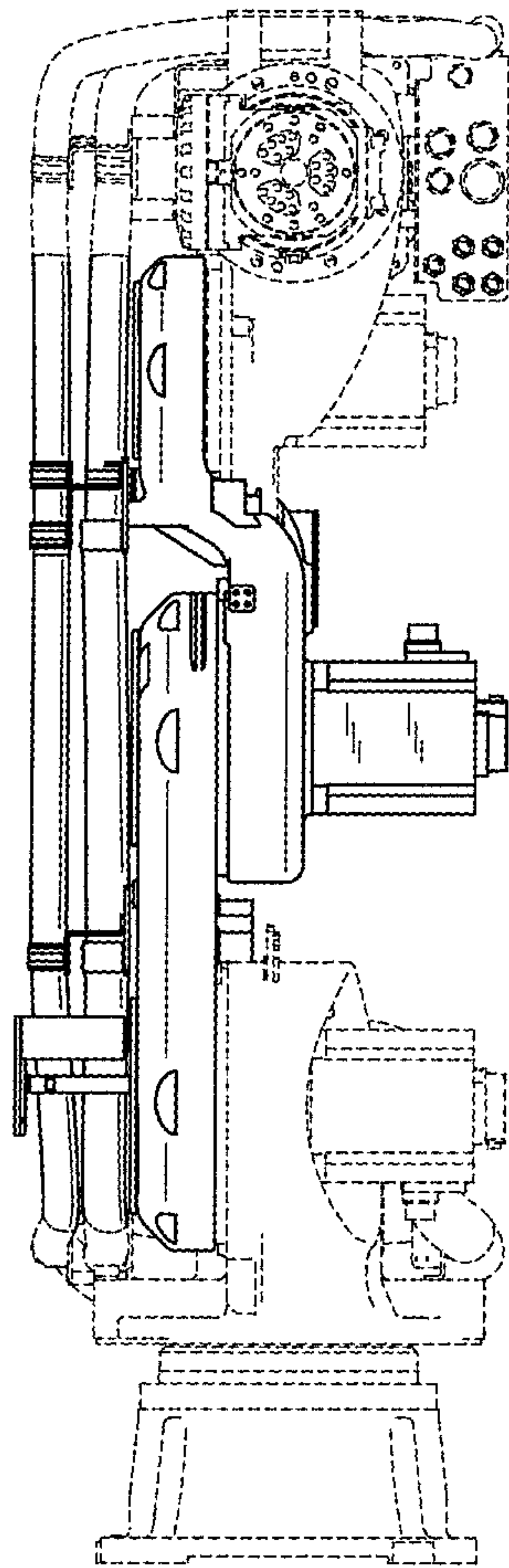


FIG. 1

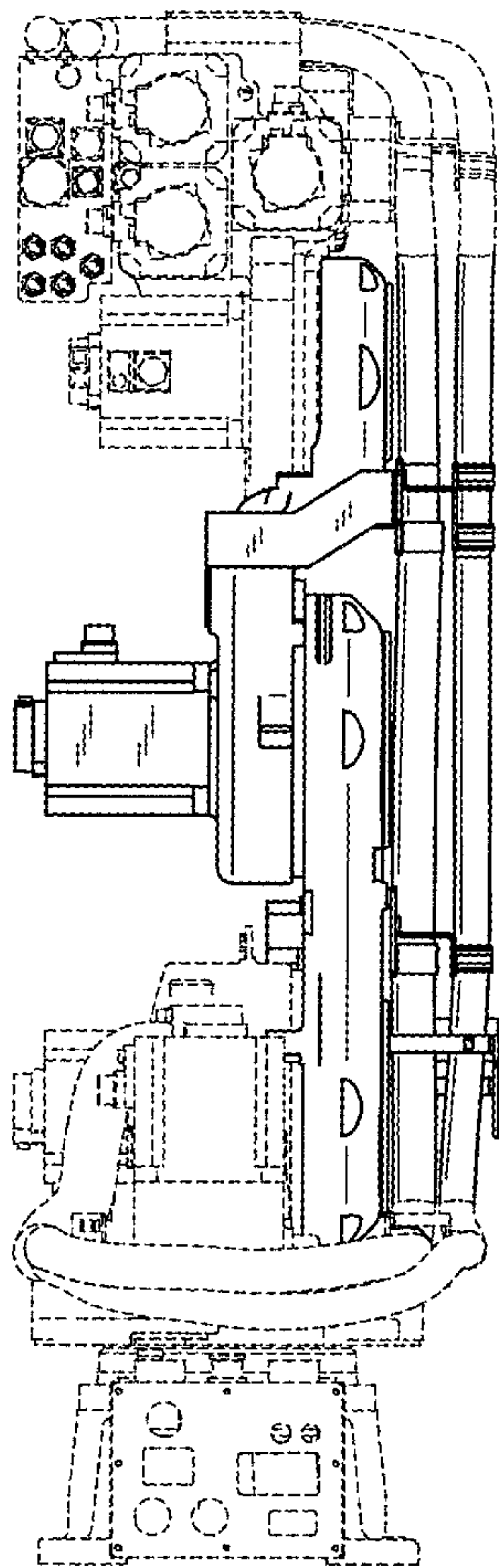


FIG. 2

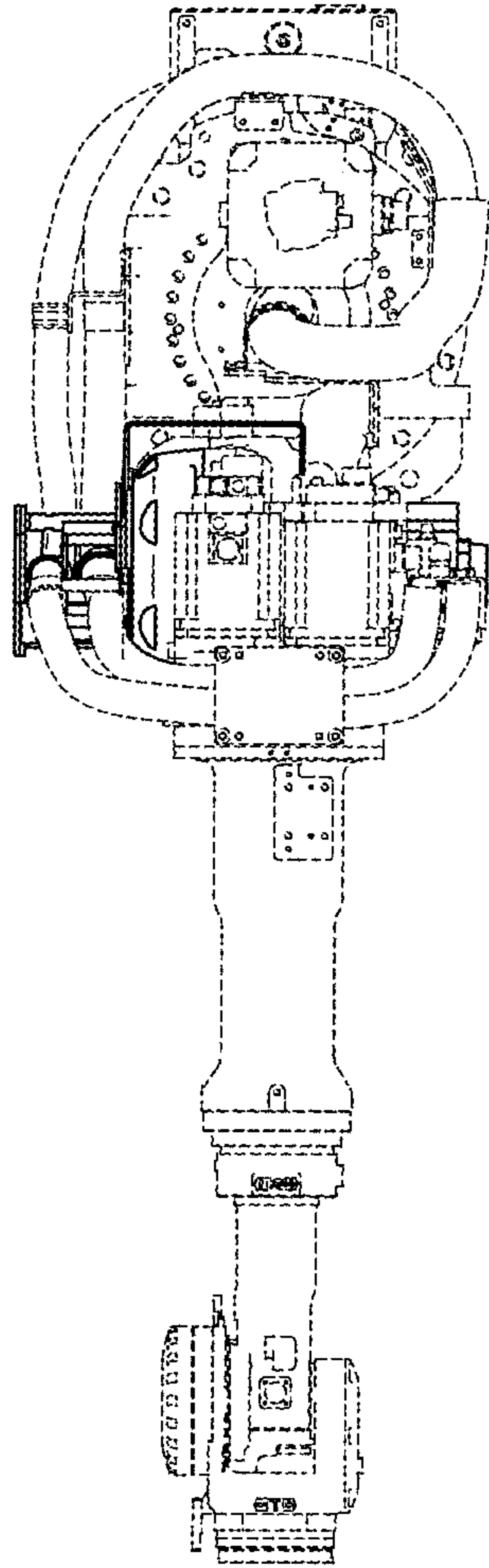


FIG. 3

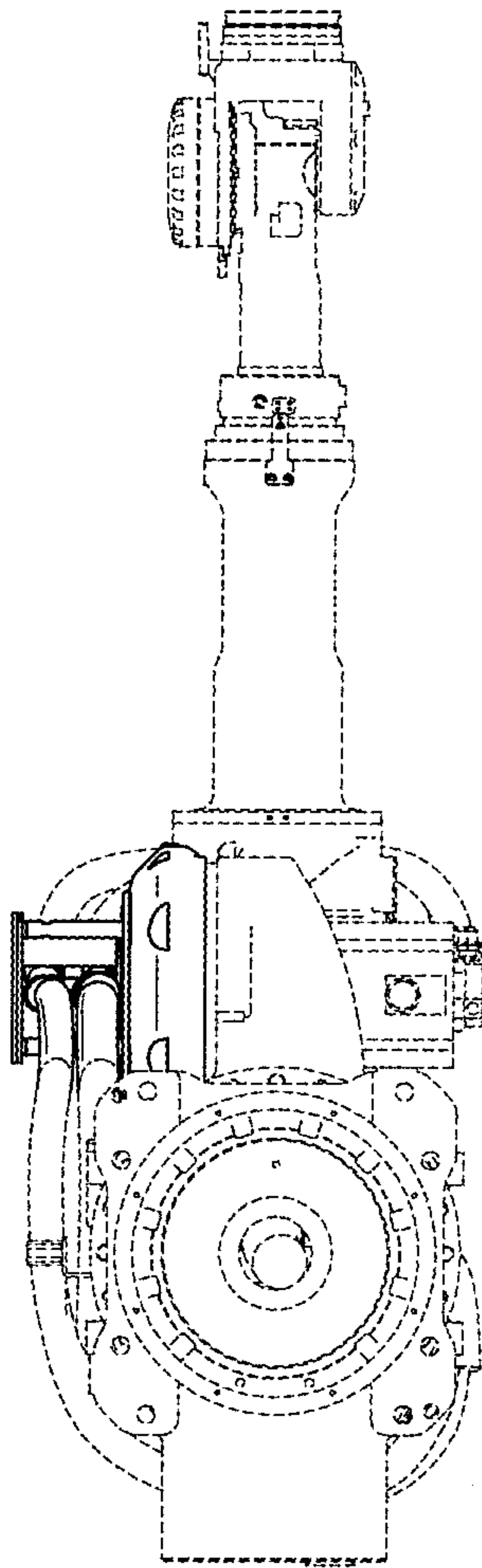


FIG. 4

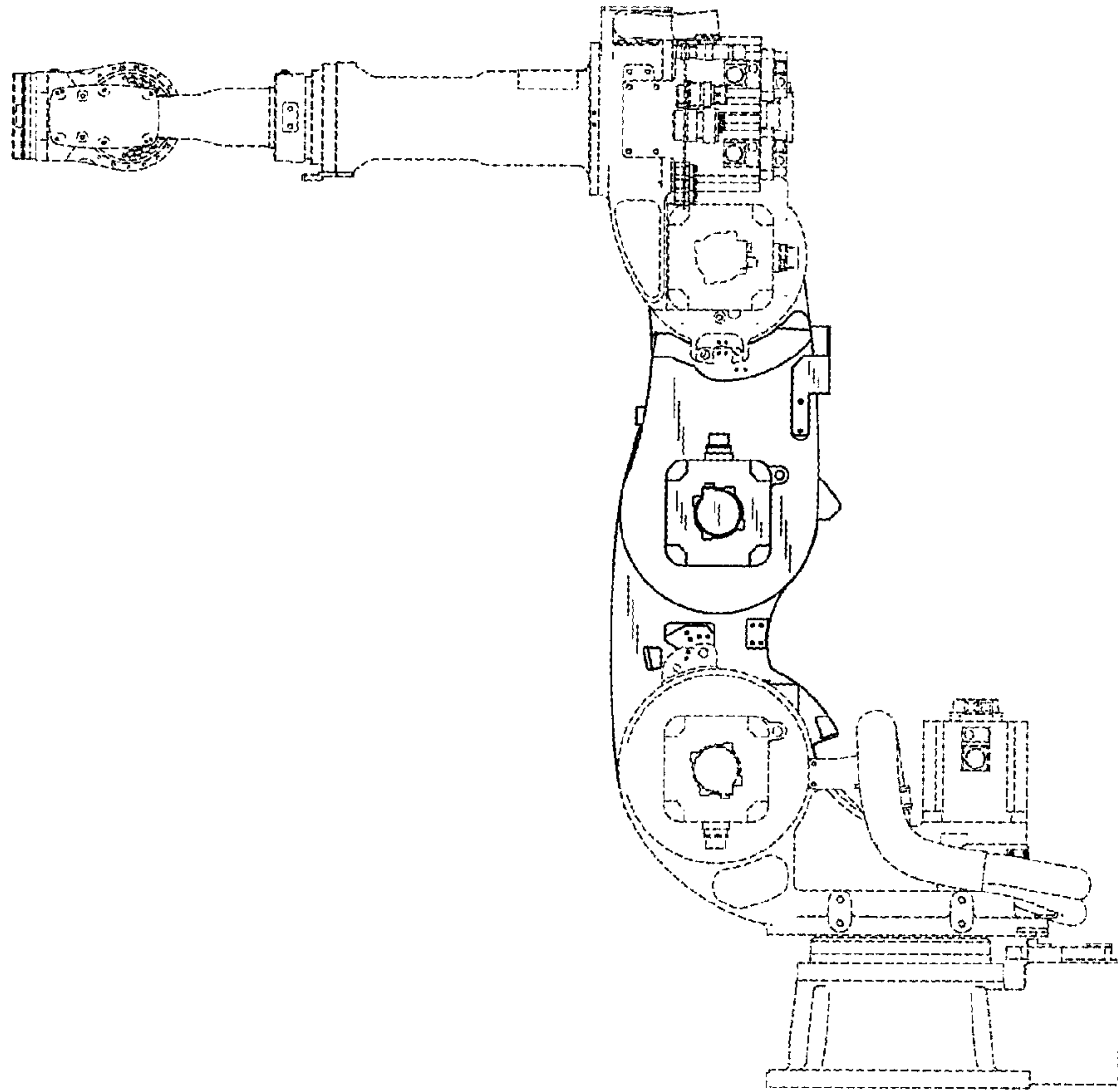


FIG. 5

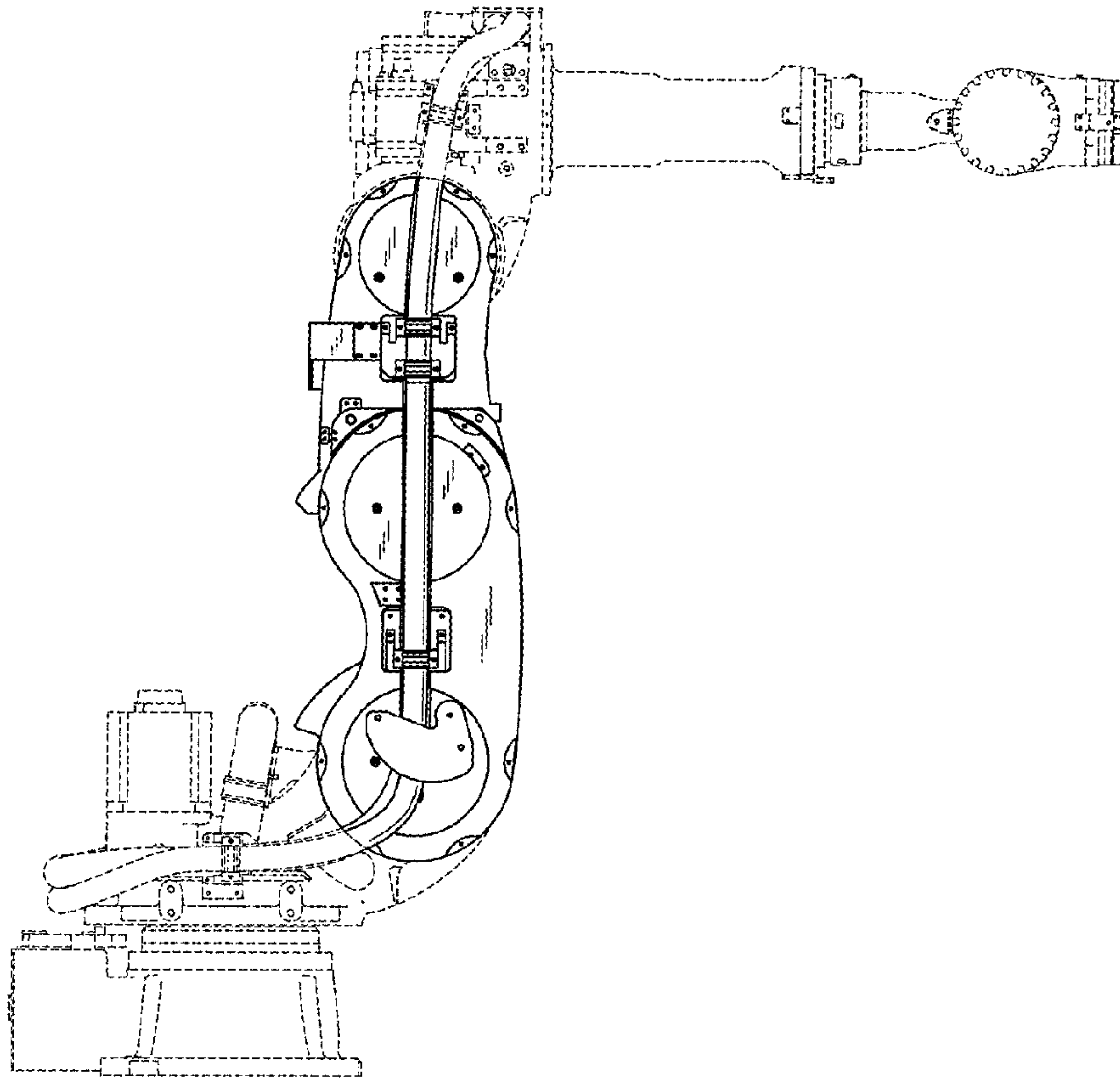


FIG. 6

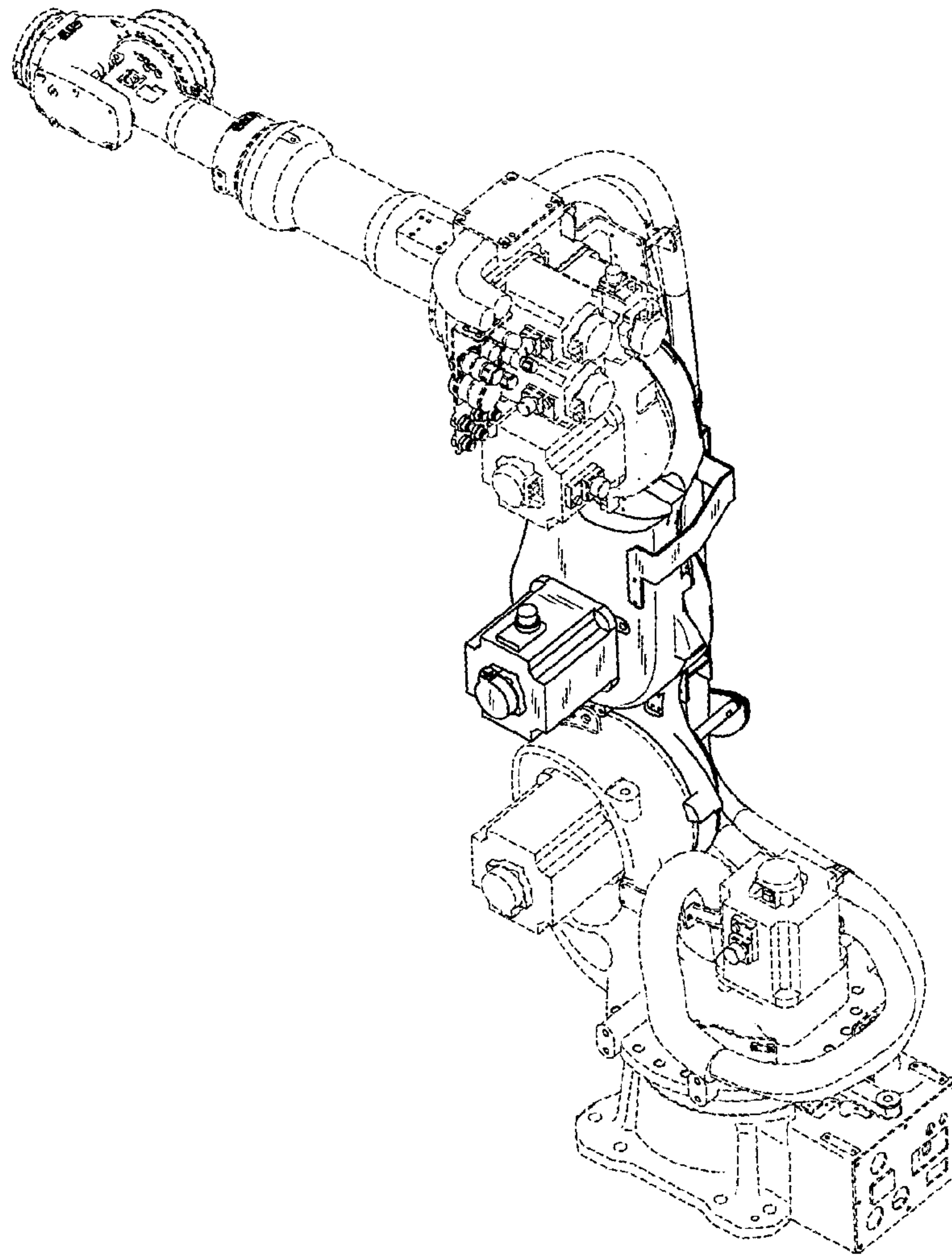


FIG. 7