



US00D768219S

(12) **United States Design Patent** (10) **Patent No.:** **US D768,219 S**  
**Kraus et al.** (45) **Date of Patent:** **\*\* Oct. 4, 2016**

- (54) **ROBOT SYSTEM FOR MEDICAL SURGERIES**
- (71) Applicant: **Aktormed GmbH**, Barbing (DE)
- (72) Inventors: **Peter Kraus**, Neualbenreuth (DE);  
**Robert Geiger**, Metten (DE)
- (\*\*) Term: **14 Years**
- (21) Appl. No.: **29/512,181**
- (22) Filed: **Dec. 17, 2014**
- (51) **LOC (10) Cl.** ..... **15-99**
- (52) **U.S. Cl.**  
USPC ..... **D15/199**; D24/185
- (58) **Field of Classification Search**  
USPC ..... D15/199; D21/578–583, 621, 622;  
D24/185
- See application file for complete search history.

D735,342 S *	7/2015	Asad	.....	D24/185
9,084,613 B2 *	7/2015	Qutub	.....	A61B 19/2203
9,089,352 B2 *	7/2015	Jeong	.....	A61B 19/2203
2005/0126327 A1 *	6/2005	Markert	.....	B25J 19/0054 74/490.02
2005/0189333 A1 *	9/2005	Nakagiri	.....	B25J 19/0029 219/125.1
2010/0234996 A1 *	9/2010	Schreiber	.....	B25J 13/085 700/258
2011/0303042 A1 *	12/2011	Pan	.....	B25J 9/0009 74/490.05
2013/0125691 A1 *	5/2013	Wappling	.....	B25J 19/0062 74/467

\* cited by examiner

*Primary Examiner* — Patricia Palasik

(74) *Attorney, Agent, or Firm* — Welsh Flaxman & Gitler LLC

(57) **CLAIM**

The ornamental design for a robot system for medical surgeries, as shown and described.

(56) **References Cited**

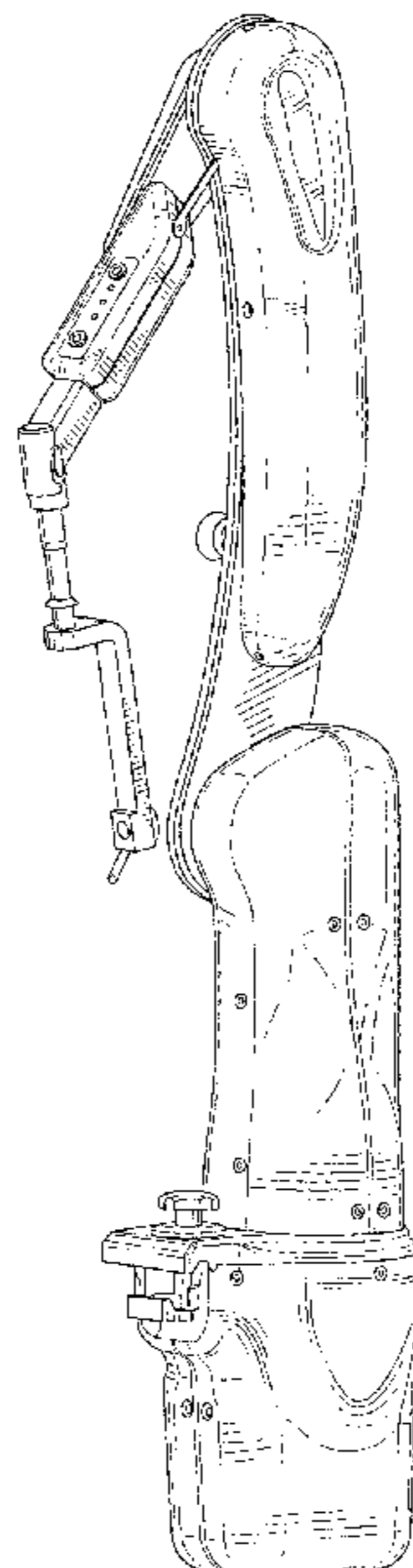
U.S. PATENT DOCUMENTS

D274,182 S *	6/1984	Kato	.....	D15/122
4,937,759 A *	6/1990	Vold	.....	B25J 9/1602 700/262
D344,279 S *	2/1994	Koyama	.....	D15/199
D456,080 S *	4/2002	Karlsson	.....	D24/185
D615,574 S *	5/2010	Liu	.....	D15/199
D616,477 S *	5/2010	Long	.....	D15/199
D636,803 S *	4/2011	Nakagiri	.....	D15/199
D652,521 S *	1/2012	Ross	.....	D24/185
D652,936 S *	1/2012	Ross	.....	D24/185
D655,324 S *	3/2012	Wong	.....	D15/199
D677,294 S *	3/2013	Long	.....	D15/199
D707,359 S *	6/2014	Kim	.....	D24/185
D707,360 S *	6/2014	Kim	.....	D24/185
D708,334 S *	7/2014	Kim	.....	D24/158
D708,341 S *	7/2014	Ikegame	.....	D24/185
D716,447 S *	10/2014	Kim	.....	D24/158
D716,448 S *	10/2014	Kim	.....	D24/158

**DESCRIPTION**

FIG. 1 is a perspective view of the robot system for medical surgeries;  
FIG. 2 is a front view of the robot system for medical surgeries;  
FIG. 3 is a rear view of the robot system for medical surgeries;  
FIG. 4 is a right side view of the robot system for medical surgeries;  
FIG. 5 is a left side view of the robot system for medical surgeries;  
FIG. 6 is a top view of the robot system for medical surgeries; and,  
FIG. 7 is a bottom view of the robot system for medical surgeries.

**1 Claim, 6 Drawing Sheets**



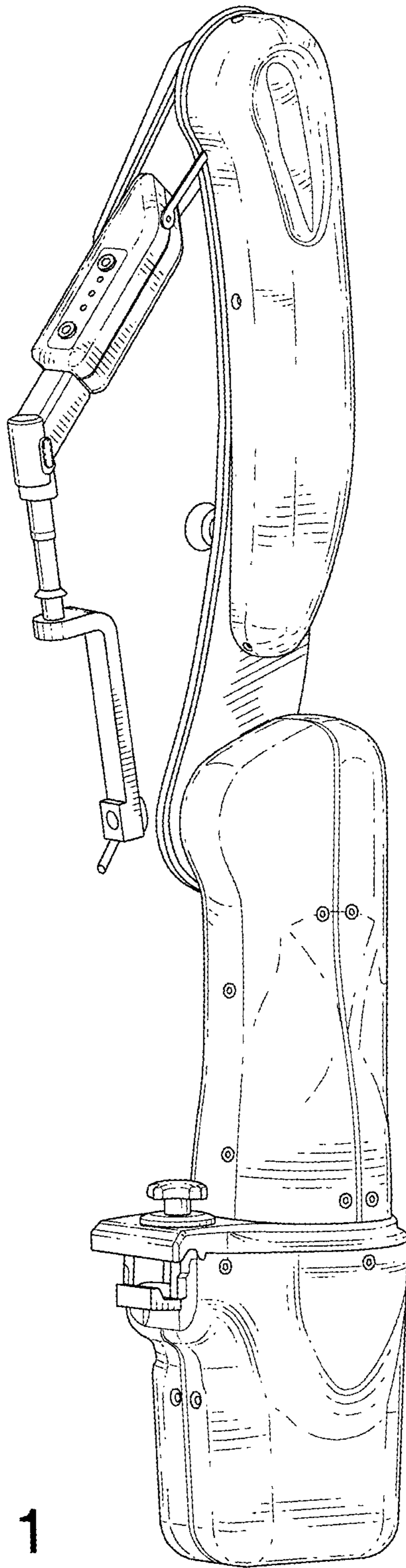


FIG. 1

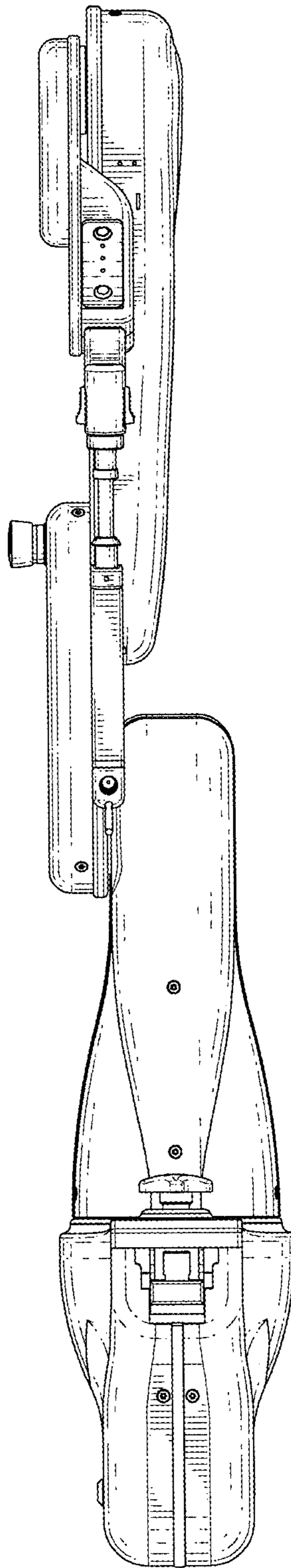


FIG. 2

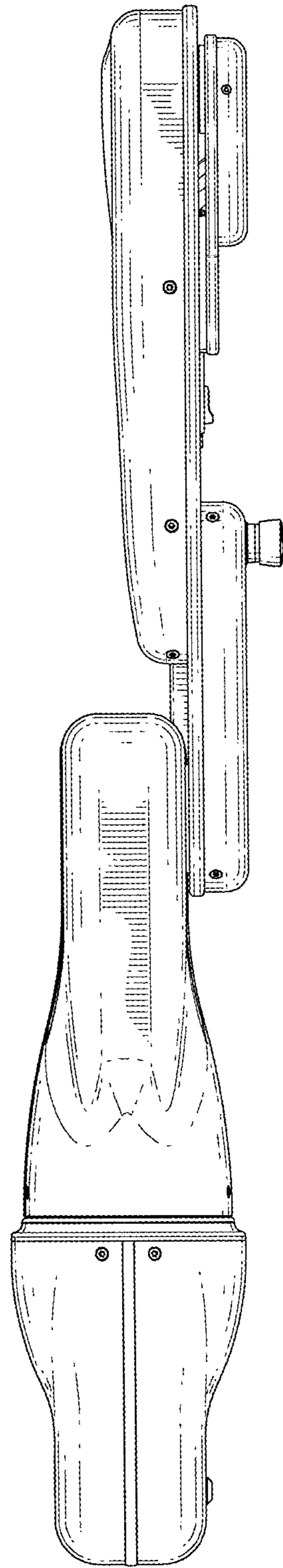


FIG. 3

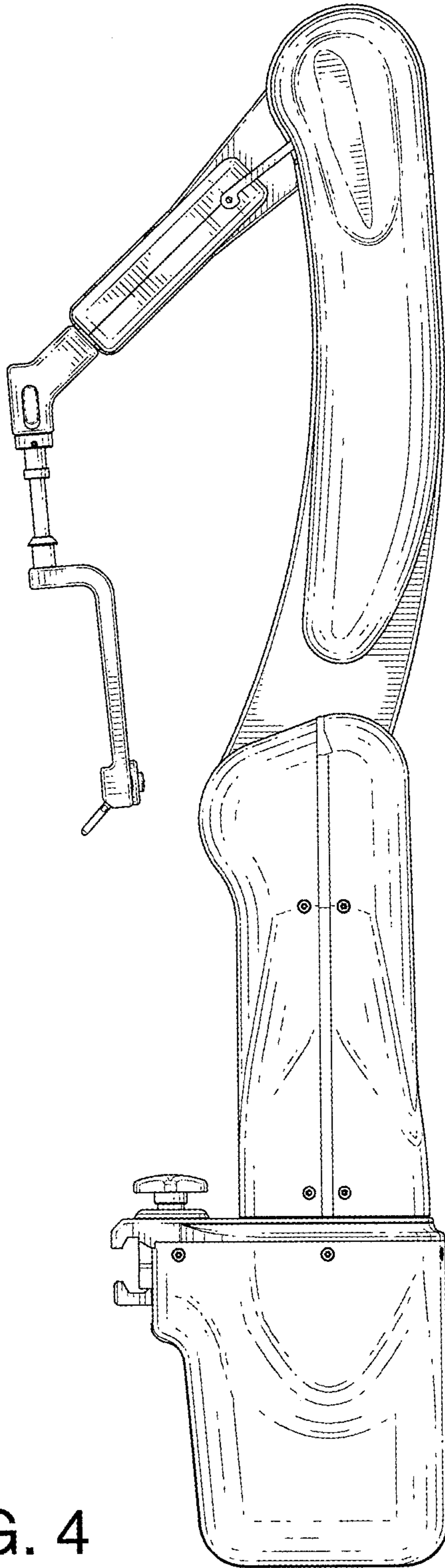


FIG. 4

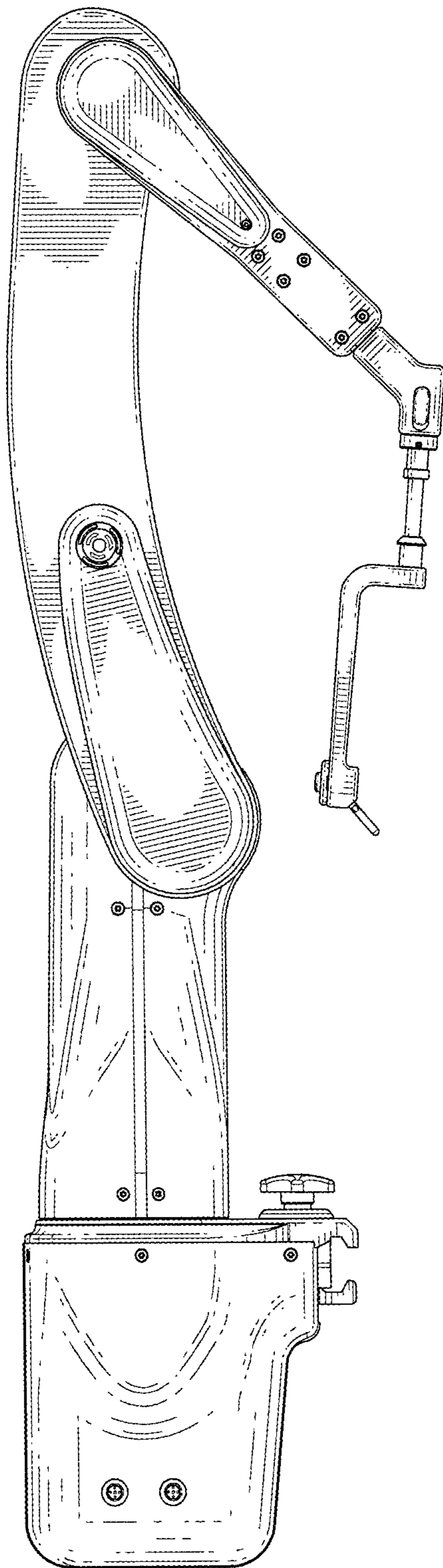


FIG. 5

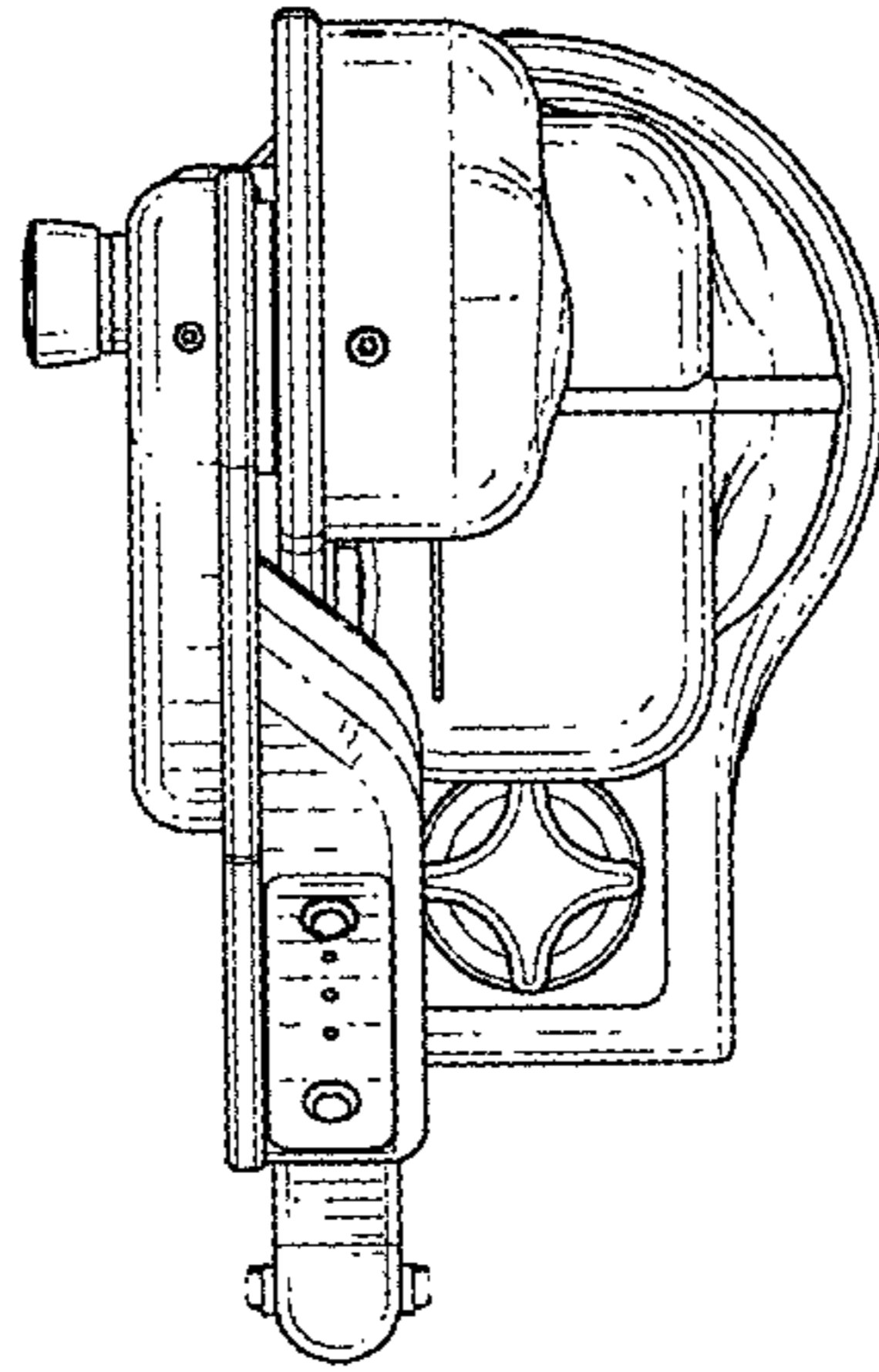


FIG. 6

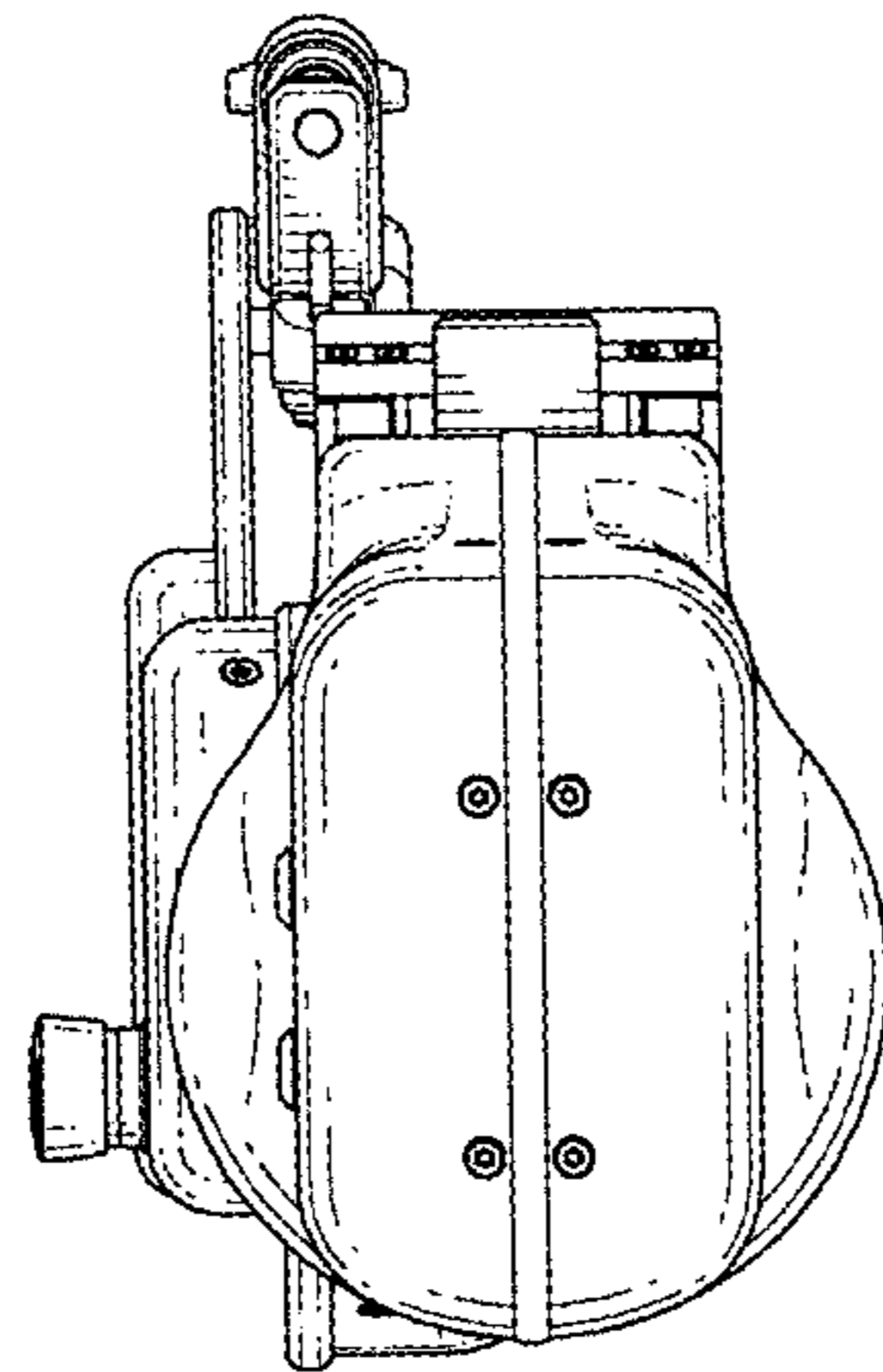


FIG. 7