

US00D768218S

(12) **United States Design Patent**
Kita

(10) **Patent No.:** **US D768,218 S**

(45) **Date of Patent:** **** Oct. 4, 2016**

(54) **HOLDER FOR DESOLDERING TOOL**

(71) Applicant: **Hakko Corporation**, Osaka-shi, Osaka (JP)

(72) Inventor: **Toshiyuki Kita**, Osaka (JP)

(73) Assignee: **Hakko Corporation**, Osaka-shi, Osaka (JP)

(**) Term: **15 Years**

(21) Appl. No.: **29/529,643**

(22) Filed: **Jun. 9, 2015**

(30) **Foreign Application Priority Data**

Dec. 17, 2014 (JP) D2014-028110

(51) **LOC (10) Cl.** **15-99**

(52) **U.S. Cl.**
USPC **D15/144**

(58) **Field of Classification Search**

USPC D8/71, 29.1, 29.2, 30; D15/144, 144.2
CPC B23K 3/027; B23K 3/028; B23K 3/08
See application file for complete search history.

(56) **References Cited**

U.S. PATENT DOCUMENTS

- 3,609,791 A * 10/1971 Siegel et al. B23K 3/028
15/114
- 3,705,680 A * 12/1972 Siegel B23K 3/027
15/114
- 5,472,133 A * 12/1995 Lin B23K 3/027
219/242

- D413,502 S * 9/1999 Chang D8/71
- D533,042 S * 12/2006 Loch D15/144
- D542,110 S * 5/2007 Mochizuki D15/144
- D594,046 S * 6/2009 Kita D15/144
- D630,235 S * 1/2011 Teraoka D15/144
- 8,276,855 B2 * 10/2012 Teraoka B23K 3/027
248/117.2

* cited by examiner

Primary Examiner — Phillip S Hyder

(74) *Attorney, Agent, or Firm* — Squire Patton Boggs (US) LLP

(57) **CLAIM**

The ornamental design for a holder for desoldering tool, as shown and described.

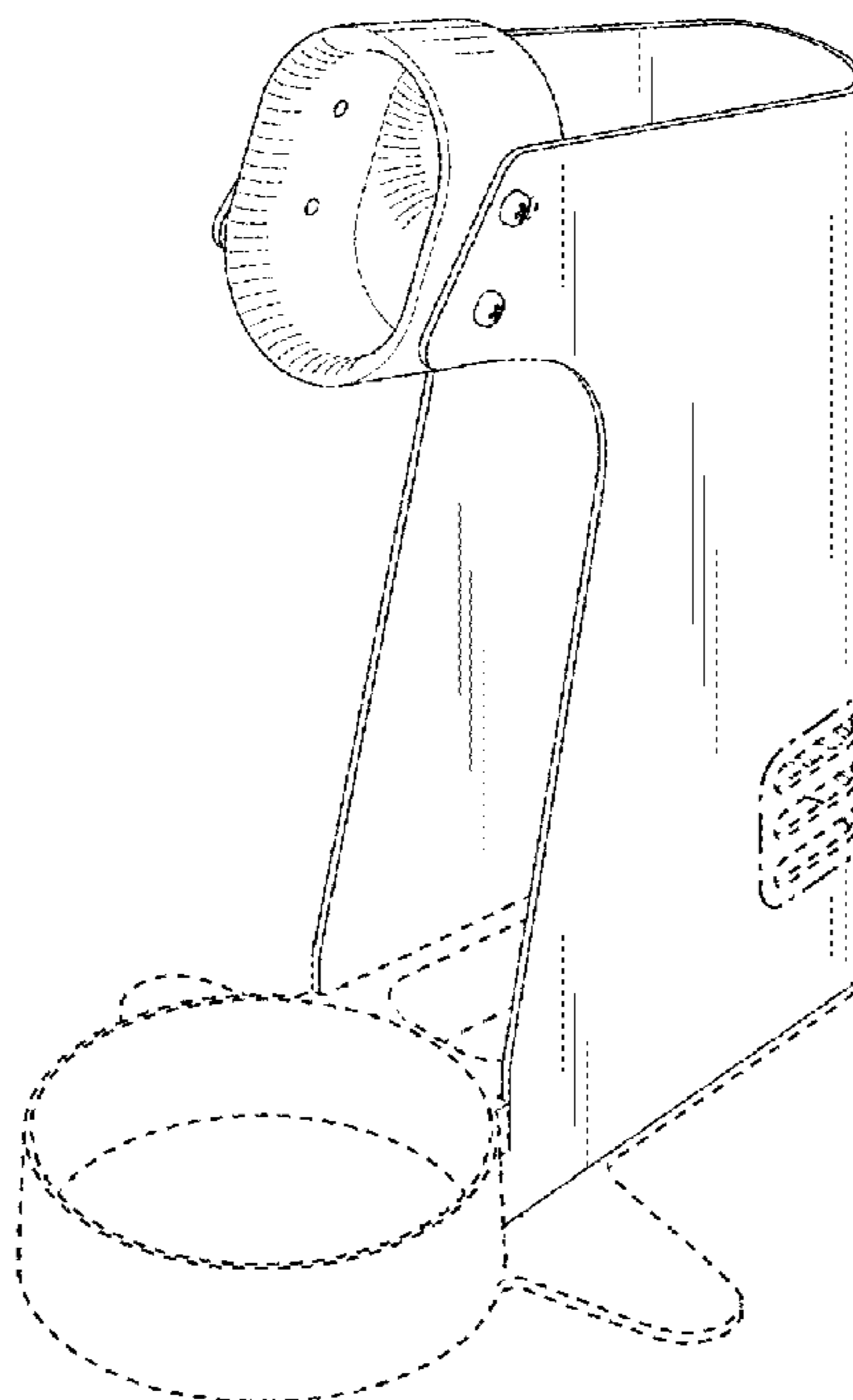
DESCRIPTION

FIG. 1 is a first perspective view of a holder for desoldering tool;
 FIG. 2 is a second perspective view thereof;
 FIG. 3 is a front view thereof;
 FIG. 4 is a rear view thereof;
 FIG. 5 is a left side view thereof, the opposite side being a mirror image of the side shown herein;
 FIG. 6 is a top view thereof;
 FIG. 7 is a bottom view thereof; and,
 FIG. 8 is a cross-sectional view taken along line 8-8 in FIG. 3 thereof.

The broken lines depict portions of the holder for desoldering tool in which the design is embodied that are not considered part of the claimed design.

The dashed lines show a boundary between the claimed design and unclaimed portions.

1 Claim, 8 Drawing Sheets



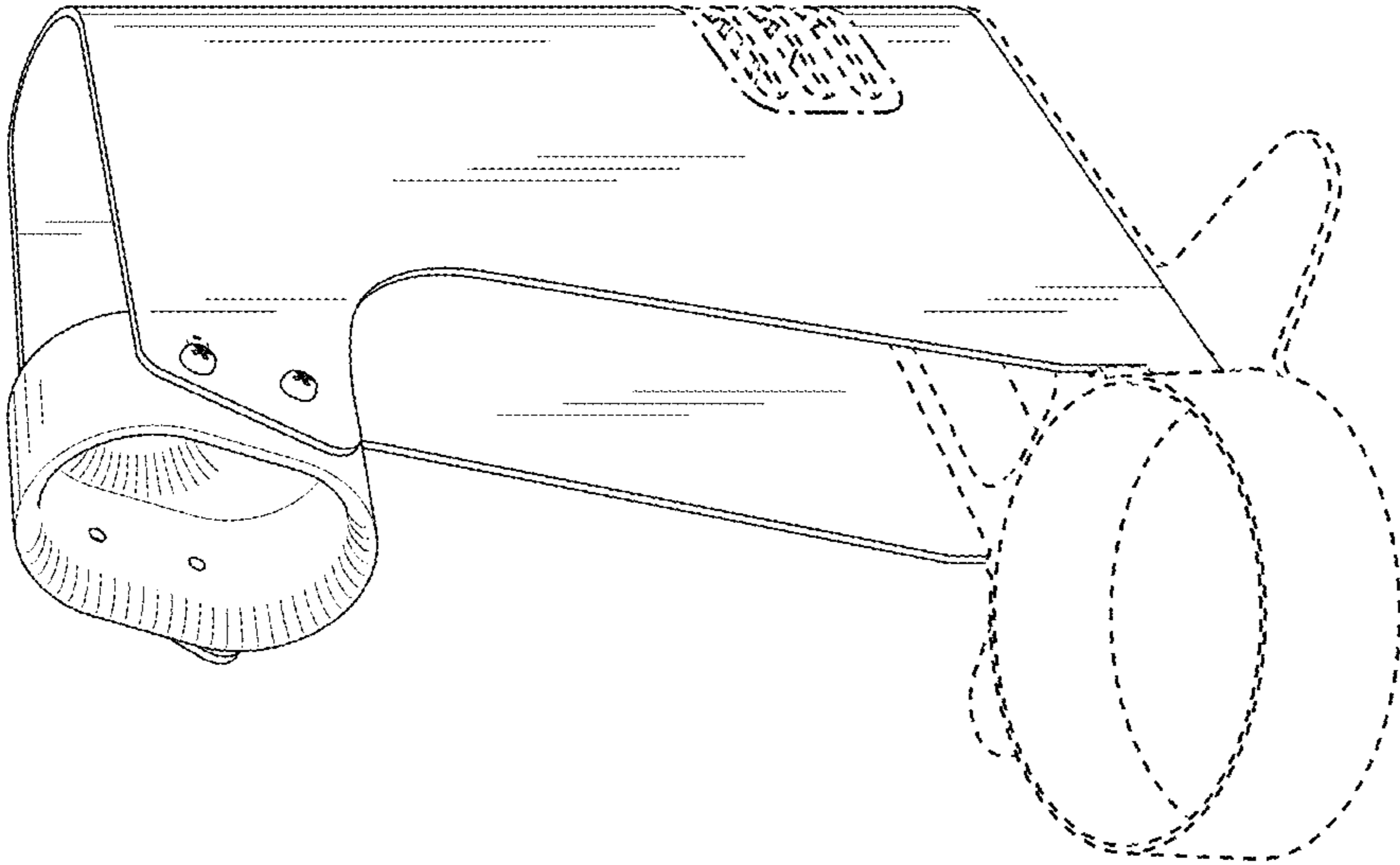


FIG.1

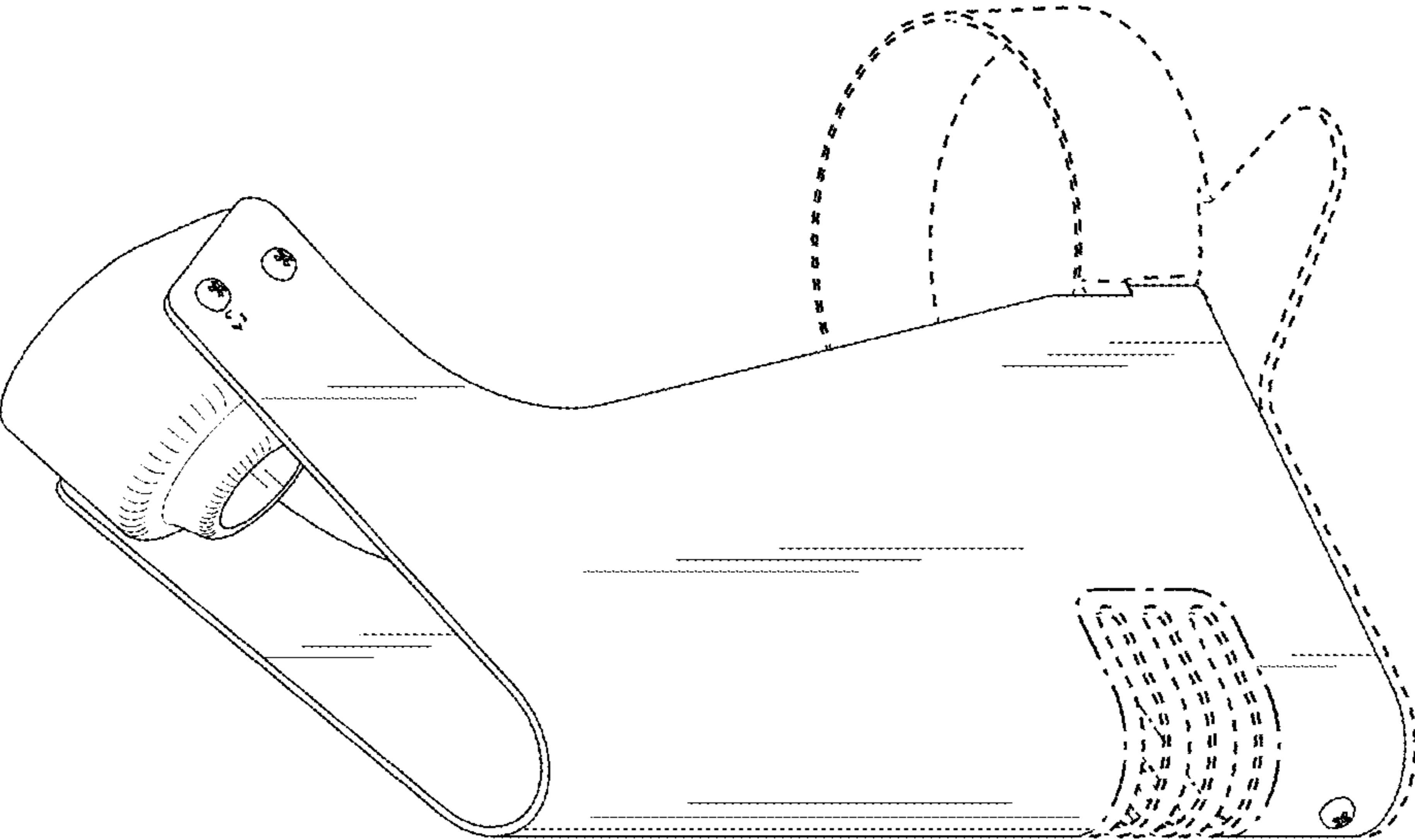


FIG.2

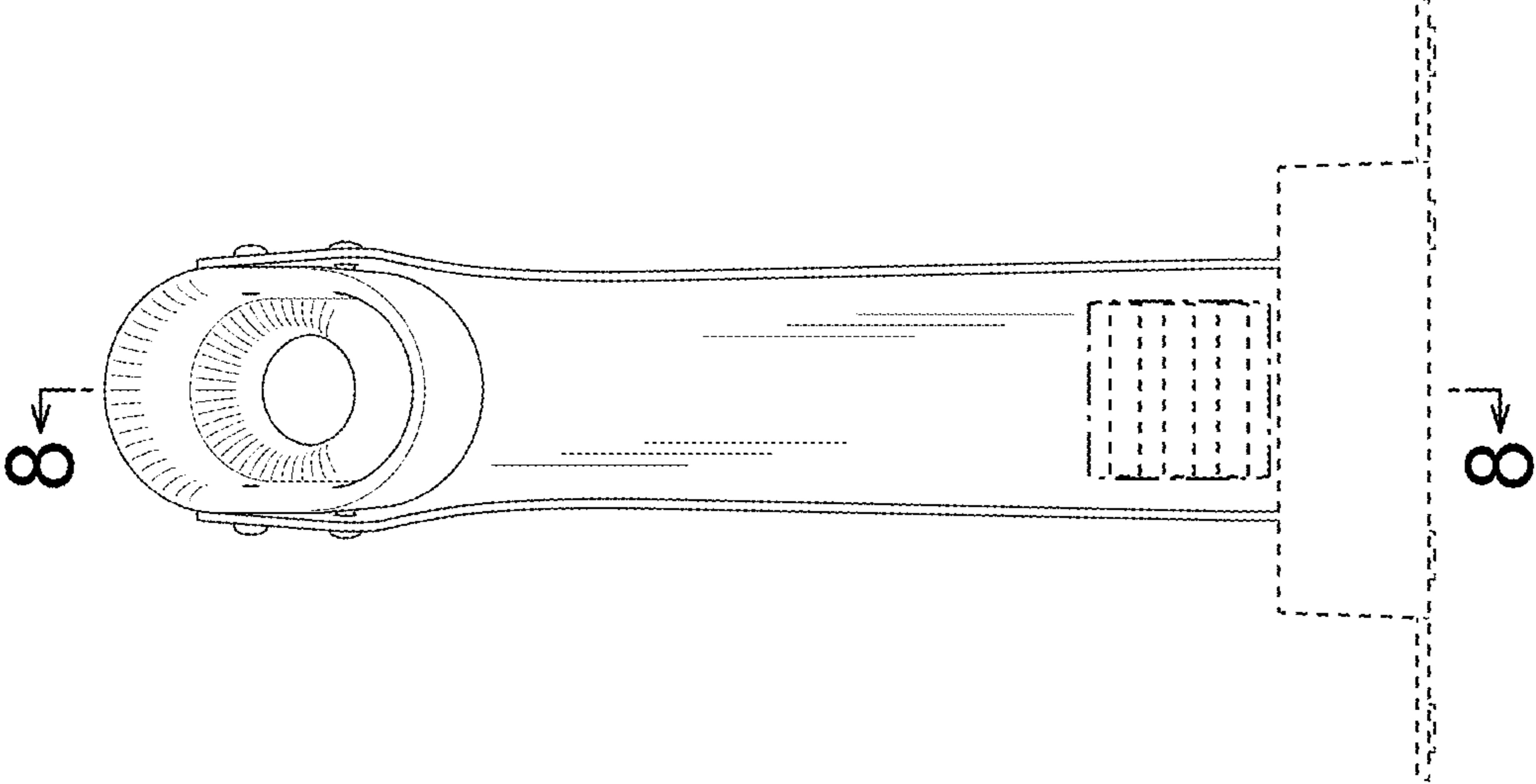


FIG. 3

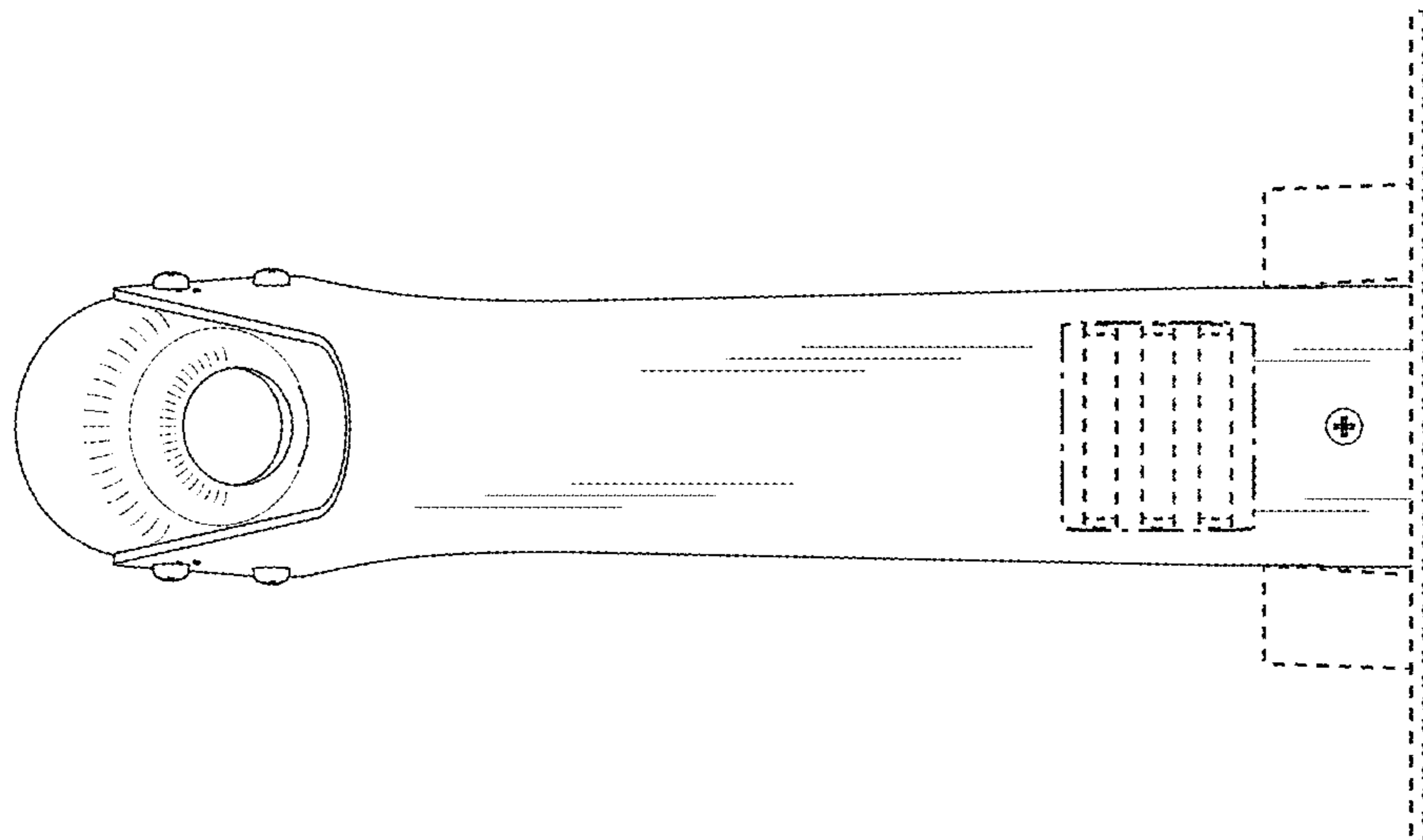


FIG. 4

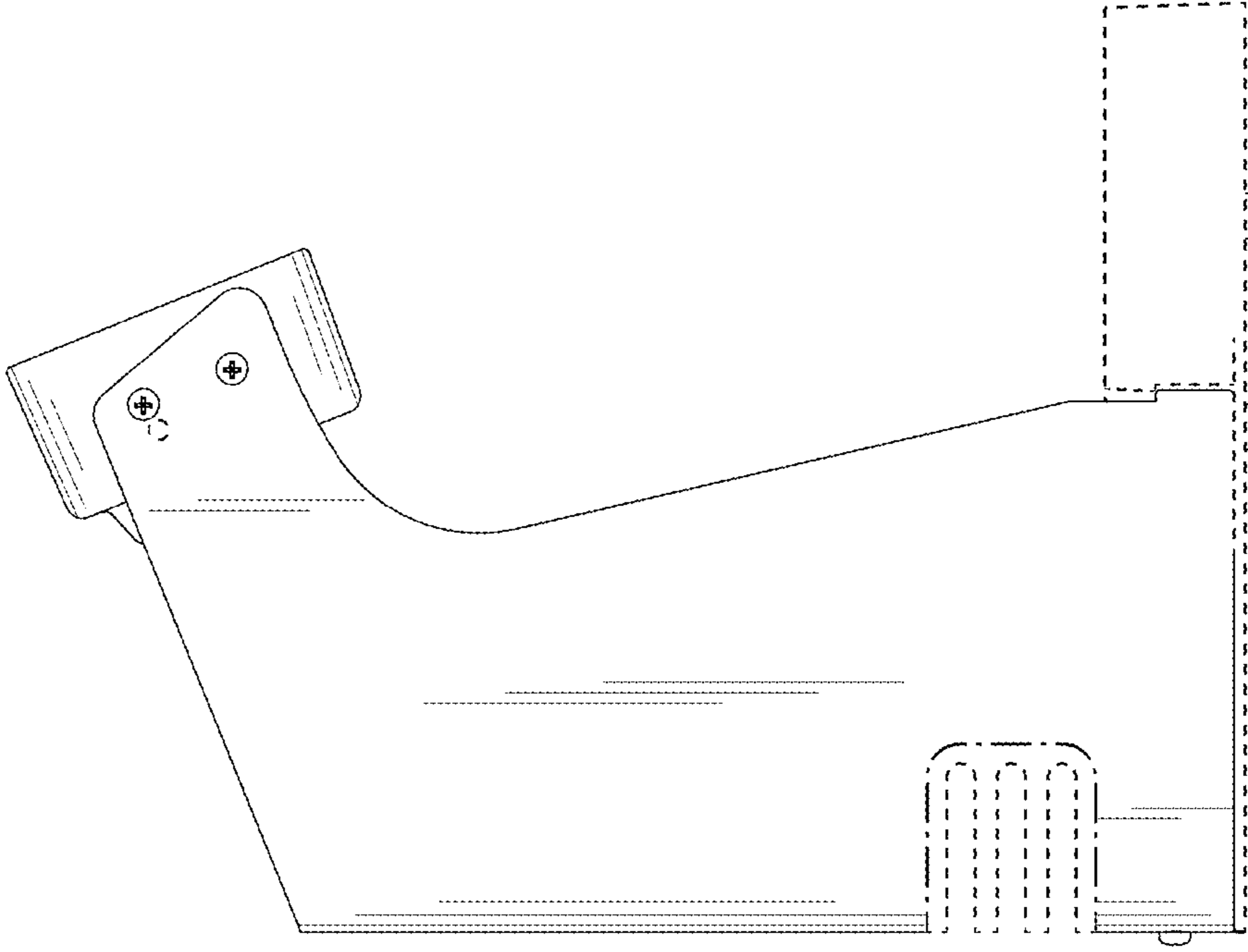


FIG. 5

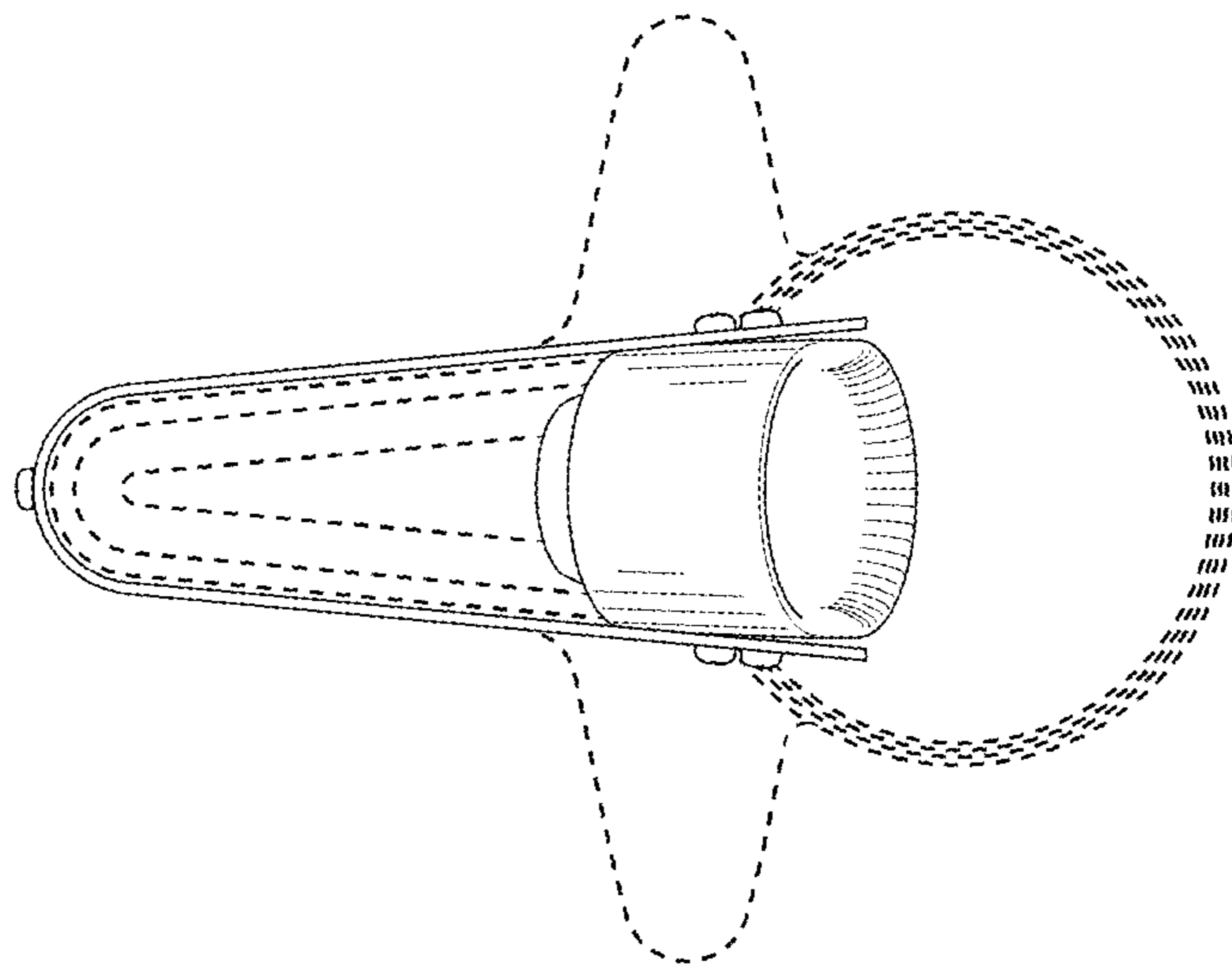


FIG. 6

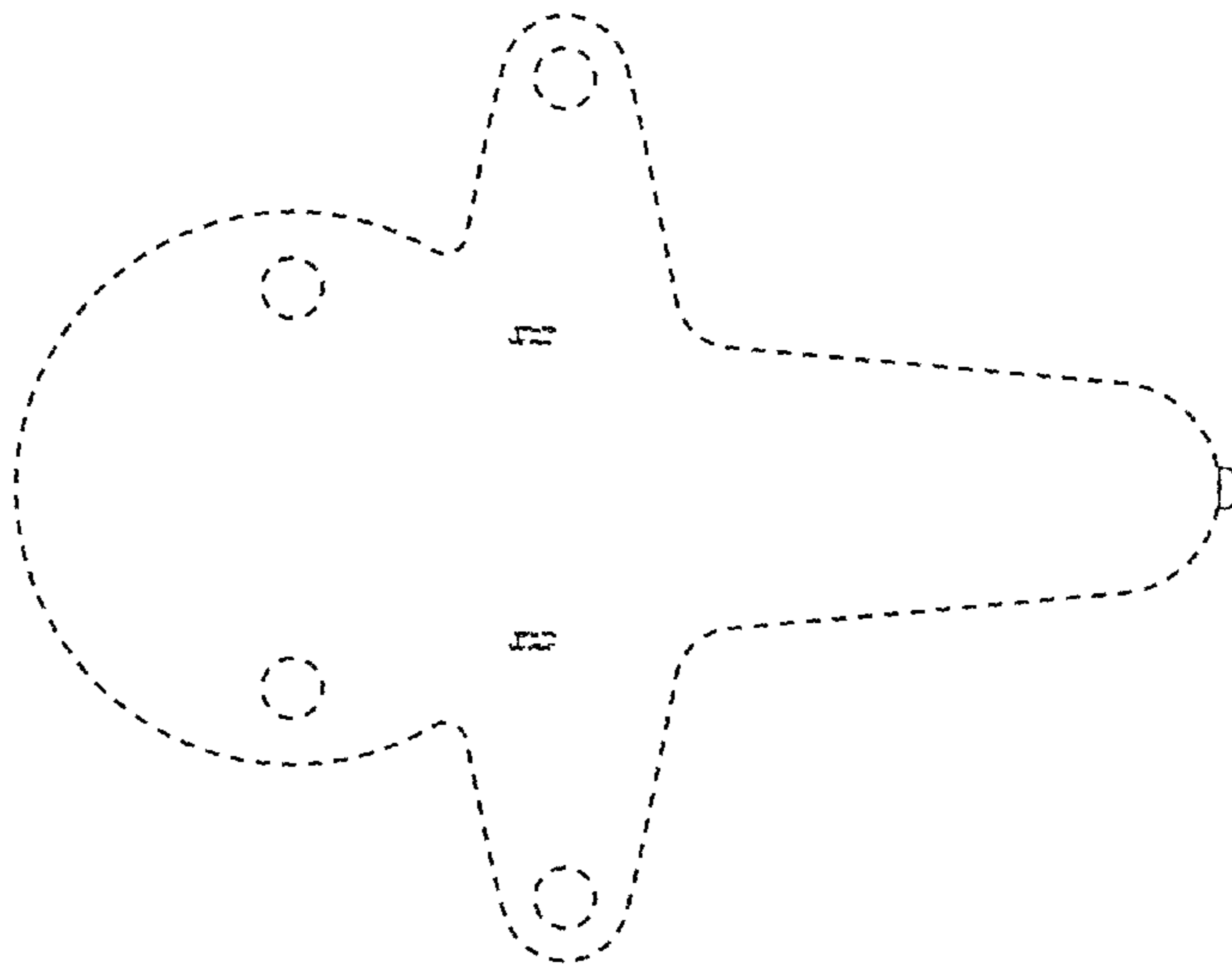


FIG. 7

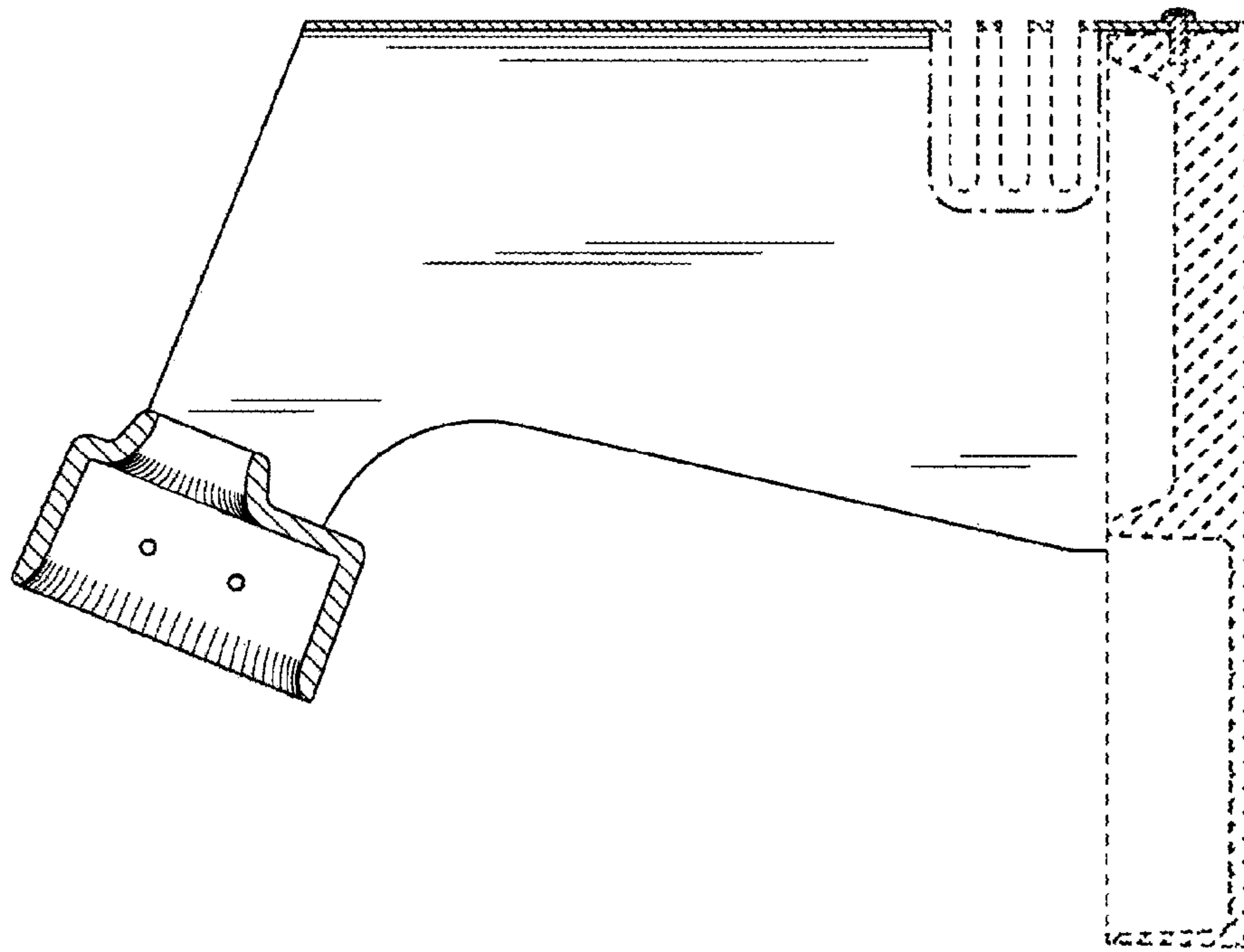


FIG. 8