



US00D768214S

(12) **United States Design Patent** (10) **Patent No.:** **US D768,214 S**
Cho et al. (45) **Date of Patent:** **** Oct. 4, 2016**

(54) **3D PRINTER**

(71) Applicant: **STI Co., Ltd.**, Anseong-si (KR)

(72) Inventors: **Yuhho Cho**, Anseong-si (KR); **Chan Il Jung**, Anseong-si (KR); **Jung Jin Mun**, Anseong-si (KR); **Su Kon Han**, Anseong-si (KR); **Jinoh Hong**, Anseong-si (KR)

(73) Assignee: **STI CO., LTD.** (KR)

(**) Term: **15 Years**

(21) Appl. No.: **29/534,617**

(22) Filed: **Jul. 30, 2015**

(30) **Foreign Application Priority Data**

Jan. 30, 2015 (KR) 30-2015-0005314

(51) **LOC (10) Cl.** **15-09**

(52) **U.S. Cl.**
USPC **D15/122**; D15/135

(58) **Field of Classification Search**
USPC D15/122, 135; D18/6-7, 14, 19, 50, 54, D18/54.1, 55, 59
See application file for complete search history.

(56) **References Cited**

U.S. PATENT DOCUMENTS

D206,094 S *	10/1966	Hill	D15/122
4,465,111 A *	8/1984	Nalbach	B65B 1/22 141/165
D501,502 S *	2/2005	Scully	D18/50
D514,556 S *	2/2006	Rising	D14/300
7,297,304 B2 *	11/2007	Swanson	B29C 41/36 264/308
D675,802 S *	2/2013	Yang	D34/7
D677,723 S *	3/2013	Buel	D18/59
D681,302 S *	4/2013	Moore	D34/11
D684,332 S *	6/2013	Gollob	D34/1
D711,463 S *	8/2014	Costabeber	D14/300
D722,108 S *	2/2015	Reches	D18/50

D729,309 S *	5/2015	Jun	D18/50
D732,586 S *	6/2015	Chen	D15/122
D732,588 S *	6/2015	Lin	D15/122
D734,788 S *	7/2015	Reches	D15/122
D734,814 S *	7/2015	Yeh	D18/50
D736,838 S *	8/2015	Costabeber	D15/122
D738,410 S *	9/2015	Liu	D15/122
D739,885 S *	9/2015	Lee	D15/122
D740,863 S *	10/2015	Kemperle	D15/122
D742,439 S *	11/2015	Kraibuhler	D15/122
D745,069 S *	12/2015	Kemperle	D15/122
D751,612 S *	3/2016	Kojima	D15/122
D752,661 S *	3/2016	Anantha	D15/122
D754,763 S *	4/2016	Kraibuhler	D15/122
D755,860 S *	5/2016	Busato	D15/122
D757,132 S *	5/2016	Liu	D15/122
2011/0101569 A1 *	5/2011	Yasukochi	B29C 67/0066 264/401
2014/0043630 A1 *	2/2014	Buser	H04N 13/02 358/1.13
2015/0064298 A1 *	3/2015	Syao	B29C 67/0062 425/169
2015/0352788 A1 *	12/2015	Livingston	B65D 11/20 264/401

* cited by examiner

Primary Examiner — Patricia Palasik

(74) *Attorney, Agent, or Firm* — Cantor Colburn LLP

(57) **CLAIM**

The ornamental design for a 3D printer, as shown and described.

DESCRIPTION

FIG. 1 is a perspective view of a 3D printer showing our new design;
 FIG. 2 is a front elevational view thereof;
 FIG. 3 is a rear elevational view thereof;
 FIG. 4 is a left side elevational view thereof;
 FIG. 5 is a right side elevational view thereof;
 FIG. 6 is a top plan view thereof; and,
 FIG. 7 is a bottom plan view thereof.
 The broken lines in the drawings depict unclaimed environmental subject matter.

1 Claim, 7 Drawing Sheets

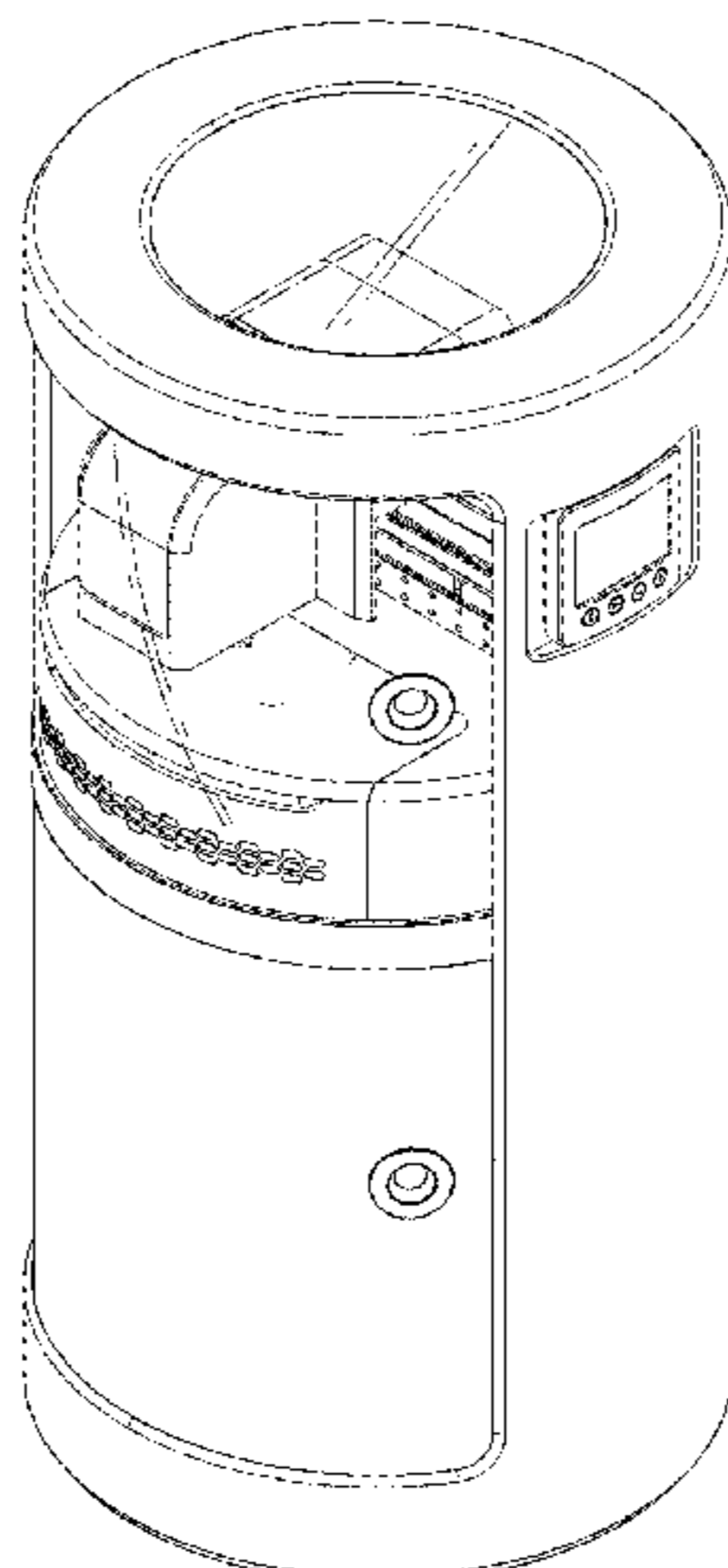


FIG. 1

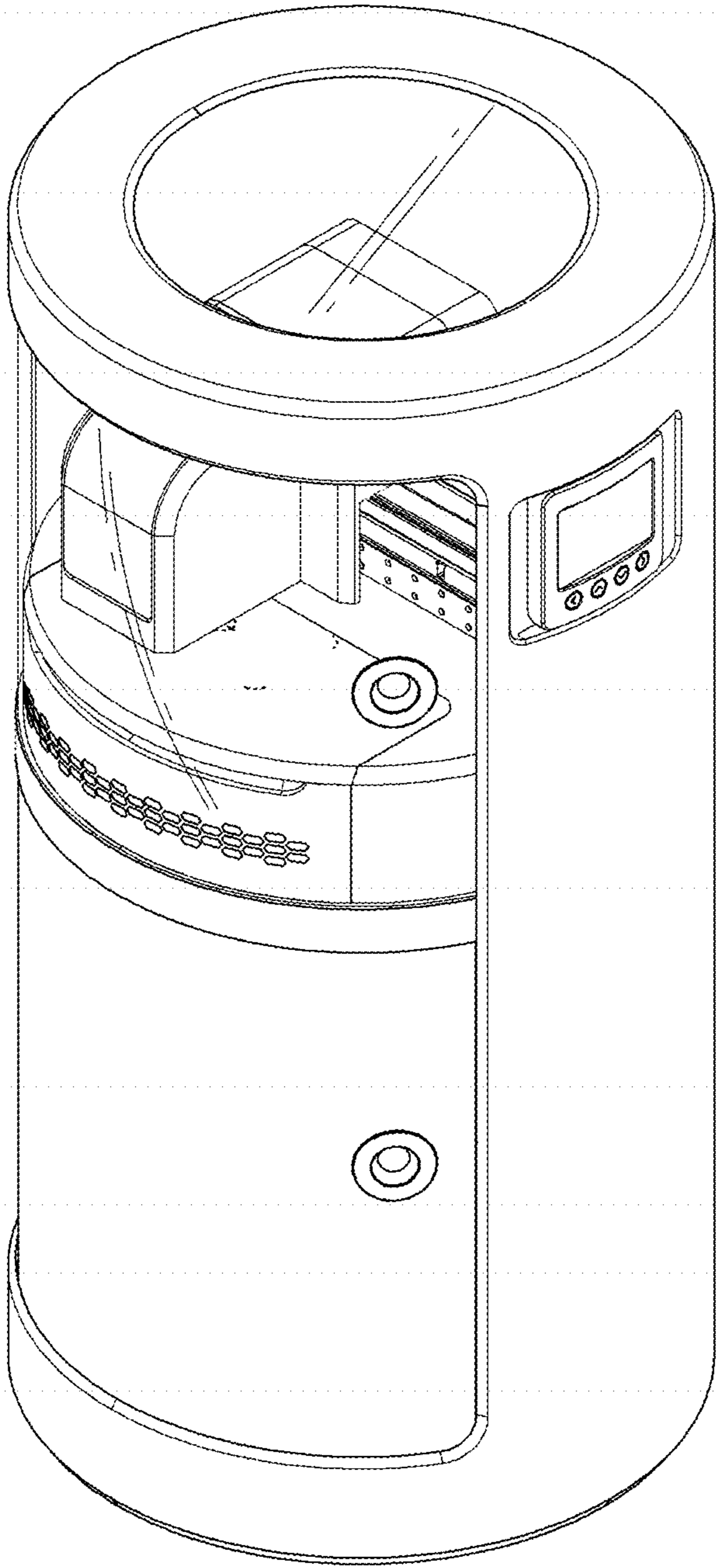


FIG. 2

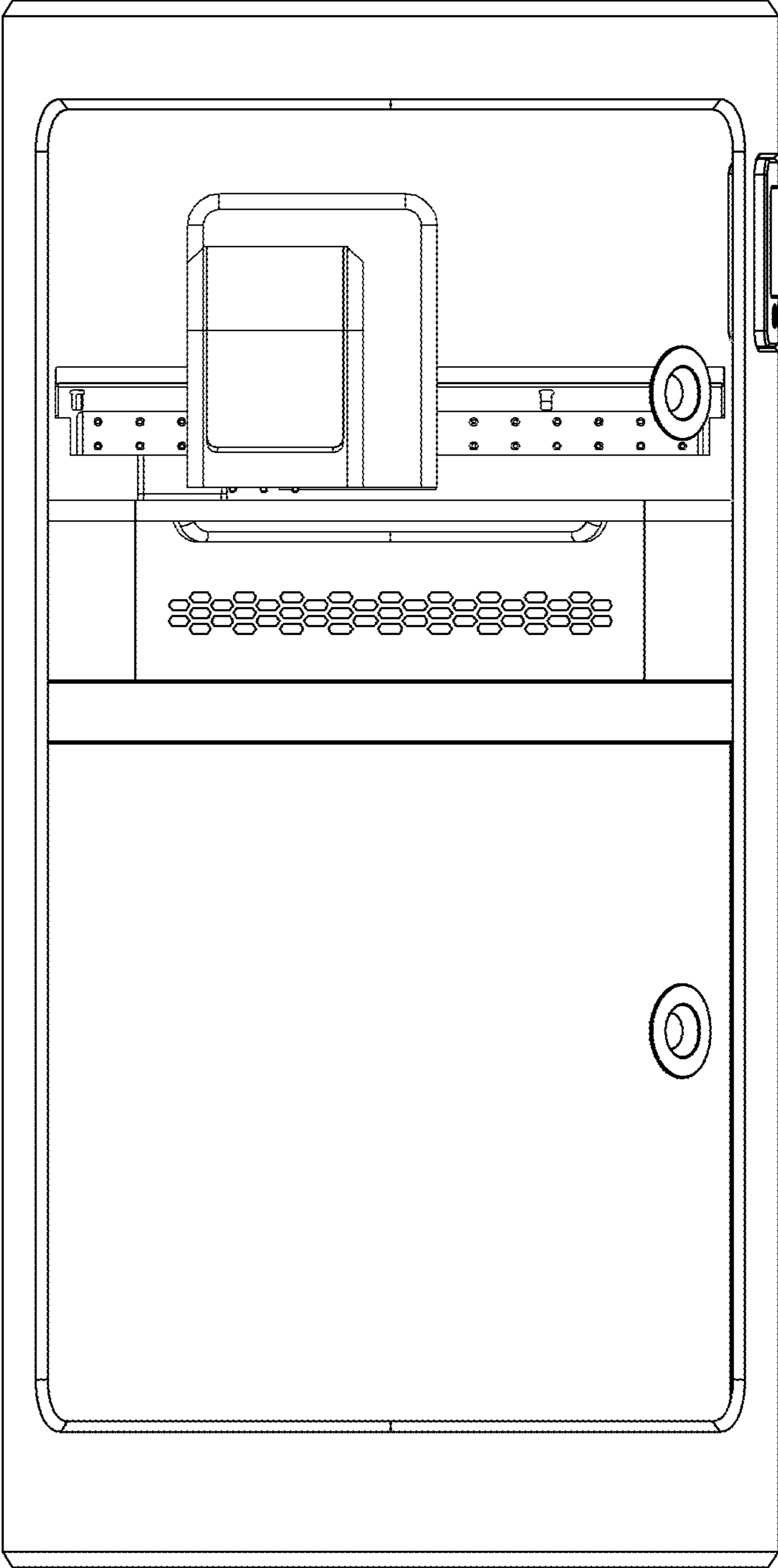


FIG. 3

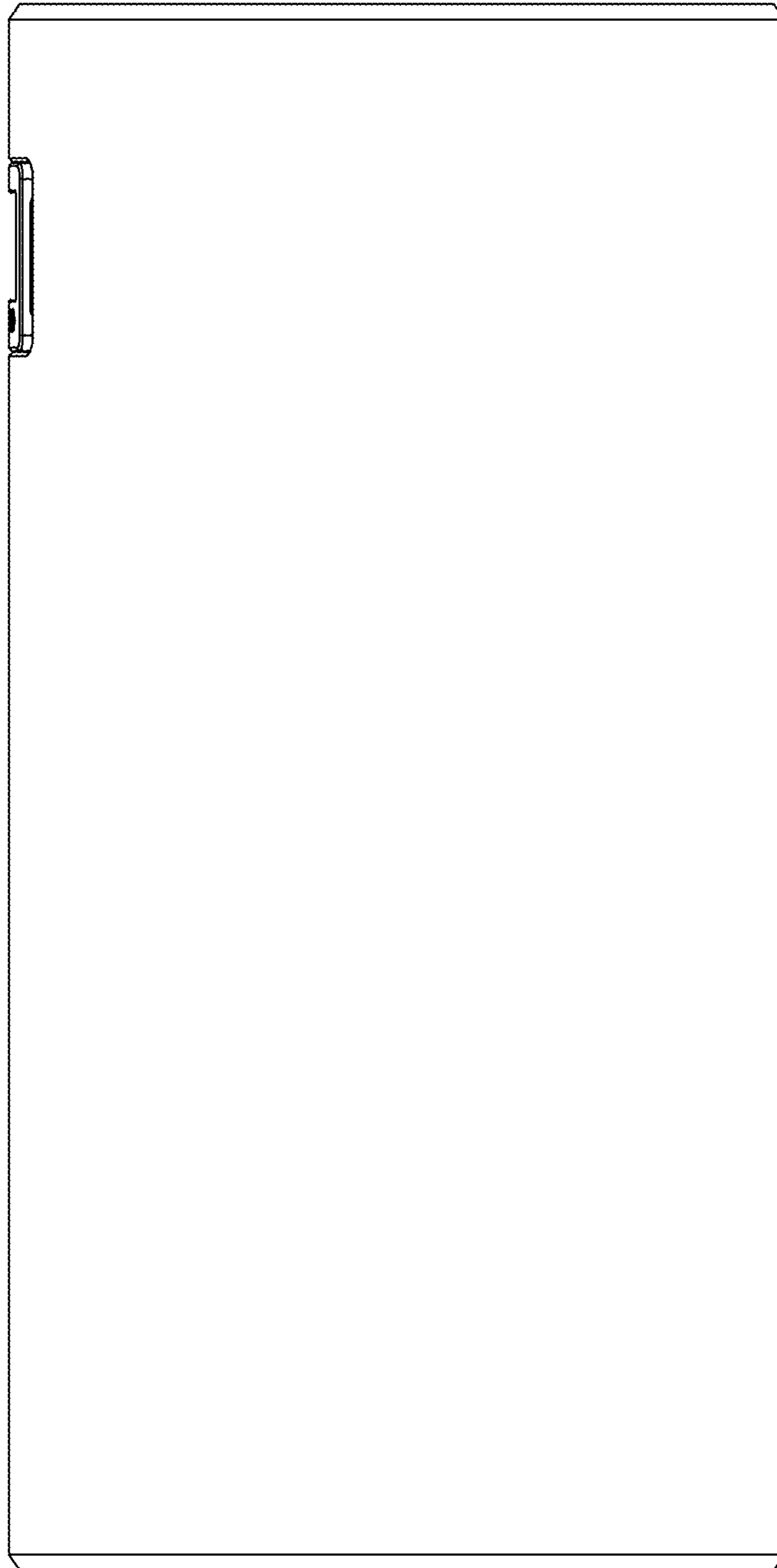


FIG. 4

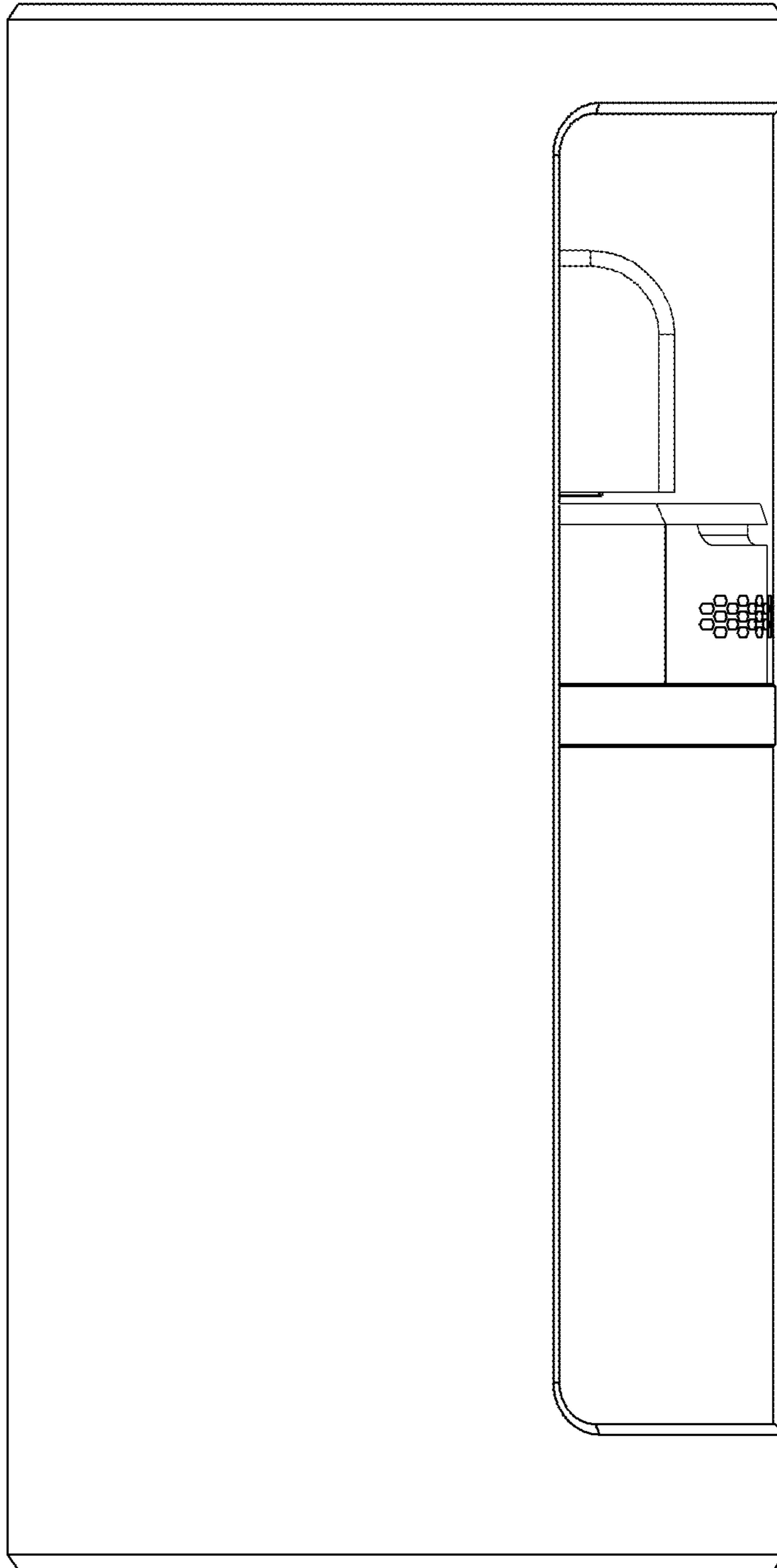


FIG. 5

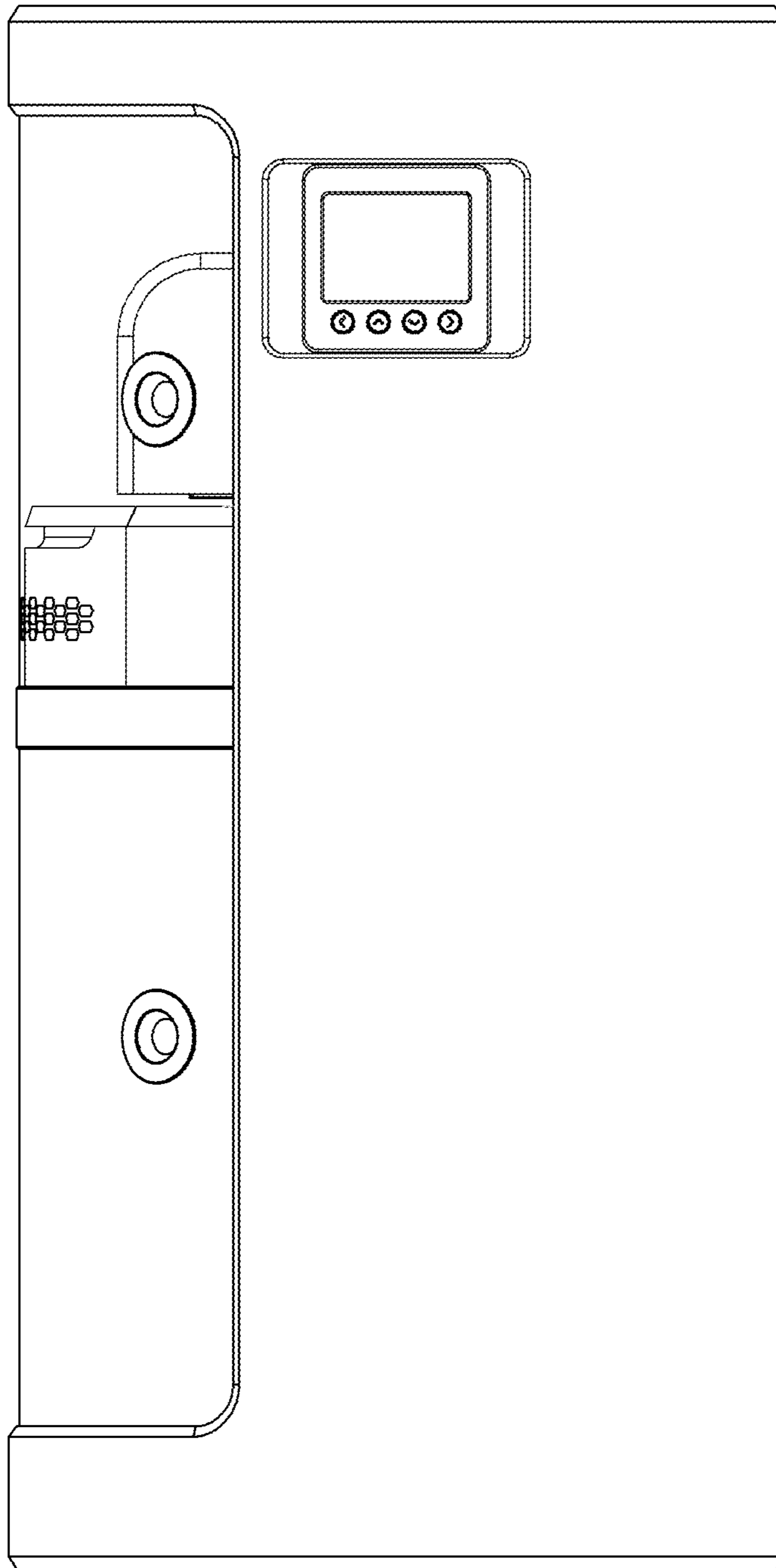


FIG. 6

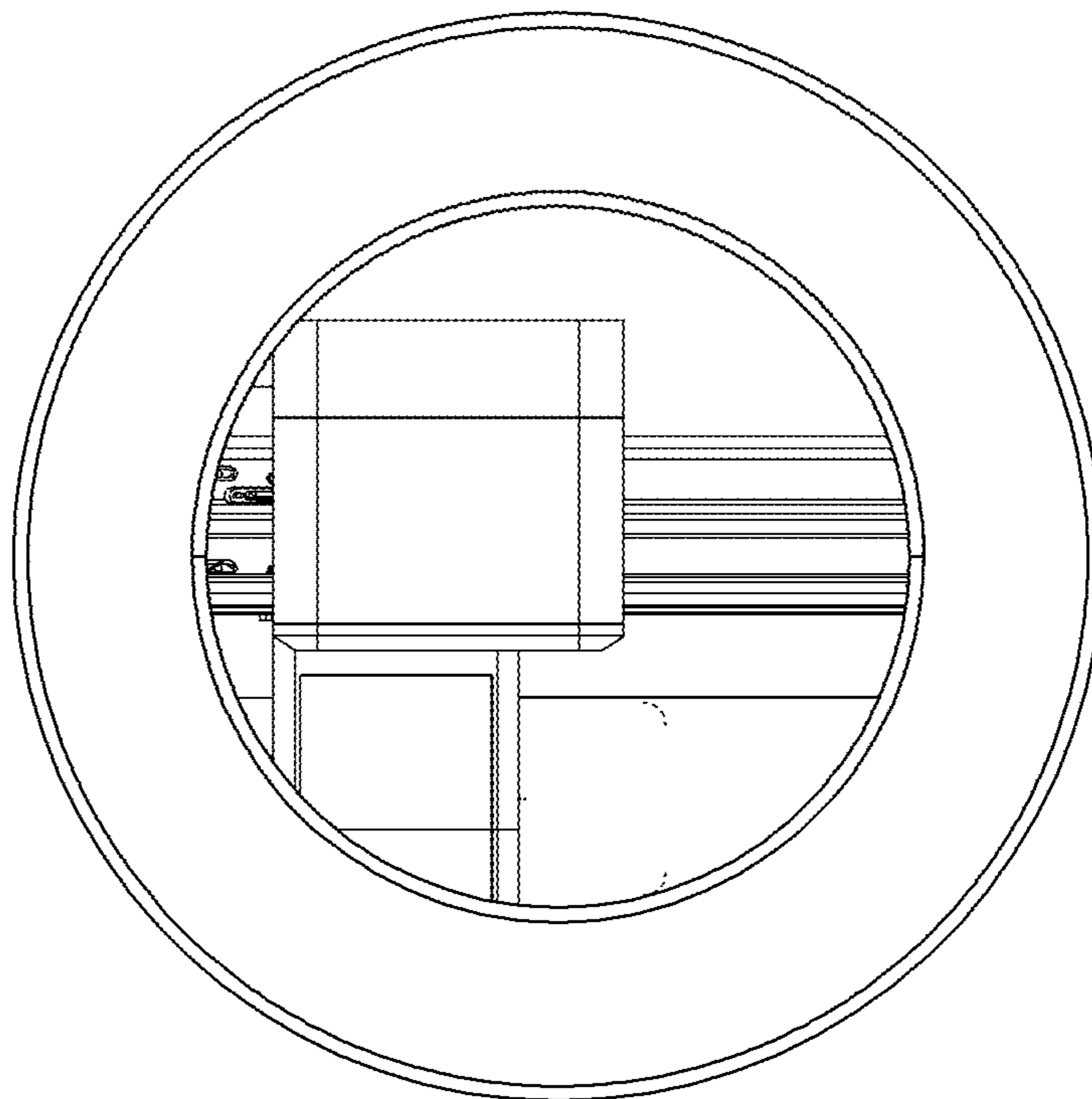


FIG. 7

