



US00D768212S

(12) **United States Design Patent**  
**Lee et al.**

(10) **Patent No.:** **US D768,212 S**  
(45) **Date of Patent:** **\*\* Oct. 4, 2016**

(54) **HOLDER FOR WINE GLASS**

(71) Applicant: **Samsung Electronics Co., Ltd.**,  
Suwon-si, Gyeonggi-do (KR)

(72) Inventors: **Jong-Hyub Lee**, Seoul (KR); **Seo-Jin Park**,  
Yongin-si (KR); **Young-Min Park**, Seoul (KR)

(73) Assignee: **SAMSUNG ELECTRONICS CO., LTD.** (KR)

(\*\*) Term: **15 Years**

(21) Appl. No.: **29/531,259**

(22) Filed: **Jun. 24, 2015**

(30) **Foreign Application Priority Data**

Dec. 24, 2014 (KR) ..... 30-2014-0063059

(51) **LOC (10) Cl.** ..... **15-07**

(52) **U.S. Cl.**  
USPC ..... **D15/89**

(58) **Field of Classification Search**  
USPC ..... D15/79-91  
CPC .... F25D 23/028; F25D 23/02; F25D 25/025;  
F25D 23/00; F25D 2323/021; F25D 11/00;  
F25D 2323/024; F25D 23/04; F25D 29/00;  
F25D 25/02; F25D 25/024; F25D 27/005;  
F25D 23/12; F25D 29/005; F25D 17/042;  
F25D 2325/021; F25D 2323/02

See application file for complete search history.

(56) **References Cited**

U.S. PATENT DOCUMENTS

D261,891 S *	11/1981	Thompson	.....	D15/89
D468,329 S *	1/2003	Kwak	.....	D15/91
D719,987 S *	12/2014	Lee	.....	D15/89
D723,073 S *	2/2015	Lee	.....	D15/89
D730,956 S *	6/2015	You	.....	D15/91

\* cited by examiner

*Primary Examiner* — Daniel Bui

*Assistant Examiner* — Khawaja Anwar

(74) *Attorney, Agent, or Firm* — Cantor Colburn LLP

(57) **CLAIM**

The ornamental design for a holder for wine glass, as shown and described.

**DESCRIPTION**

FIG. 1 is a front perspective view of a holder for wine glass, showing our new design;

FIG. 2 is a front view thereof;

FIG. 3 is a rear view thereof;

FIG. 4 is a side view thereof;

FIG. 5 is another side view thereof;

FIG. 6 is a top view thereof;

FIG. 7 is a bottom view thereof;

FIG. 8 is an enlarged cross-sectional view taken along line 8-8 thereof in FIG. 6; and,

FIG. 9 is another perspective view thereof in an environment of use.

The broken lines in the figures are for environmental purposes only and form no part of the claimed design.

**1 Claim, 9 Drawing Sheets**

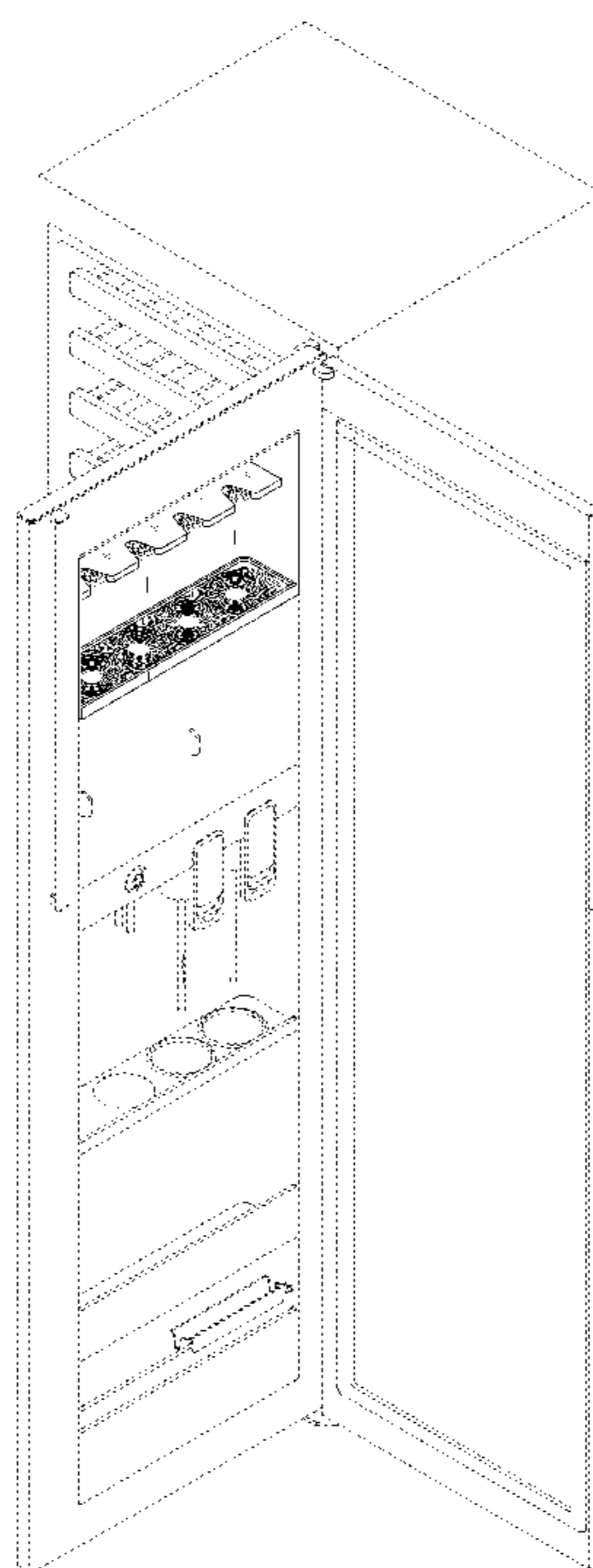
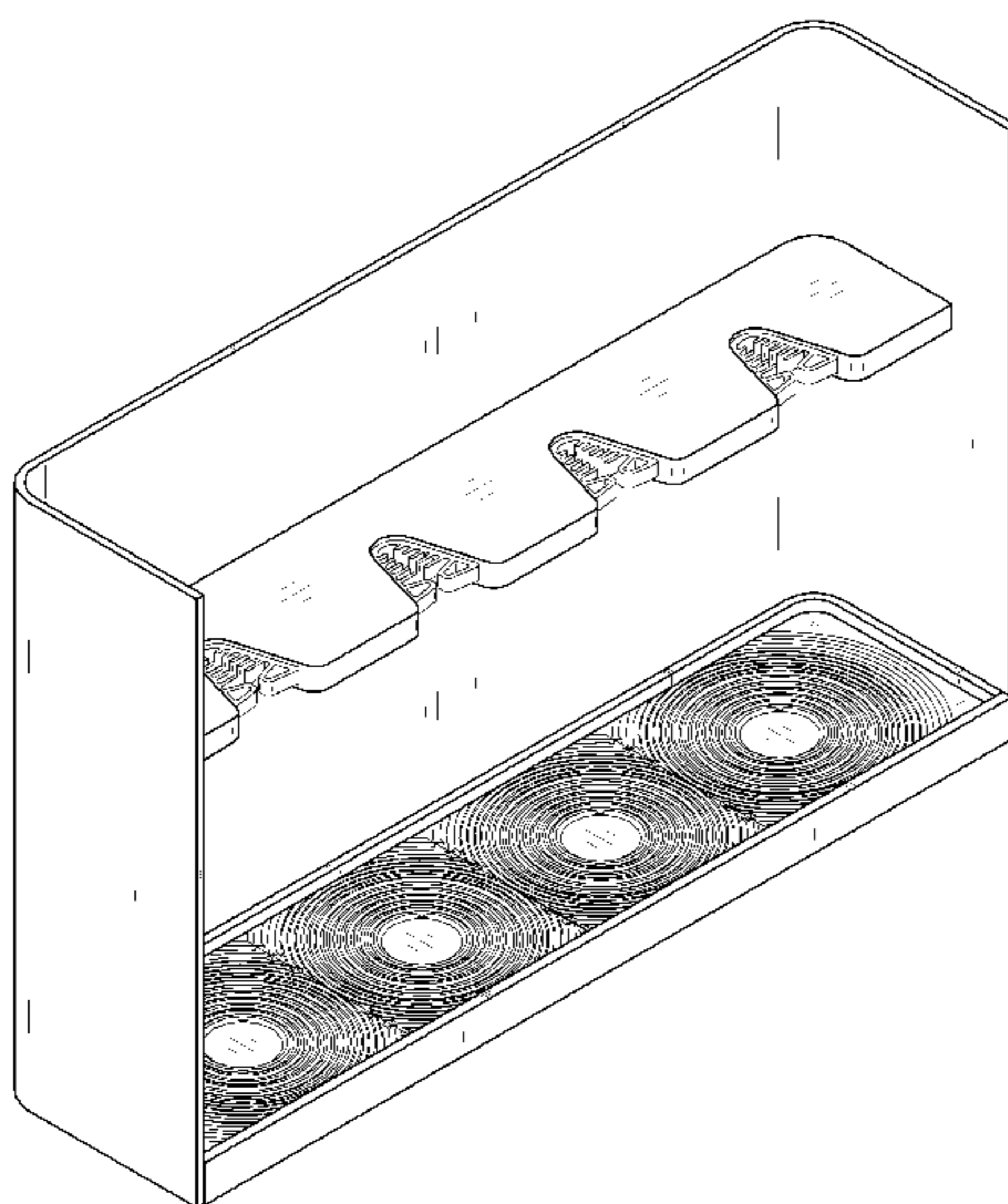


FIG. 1

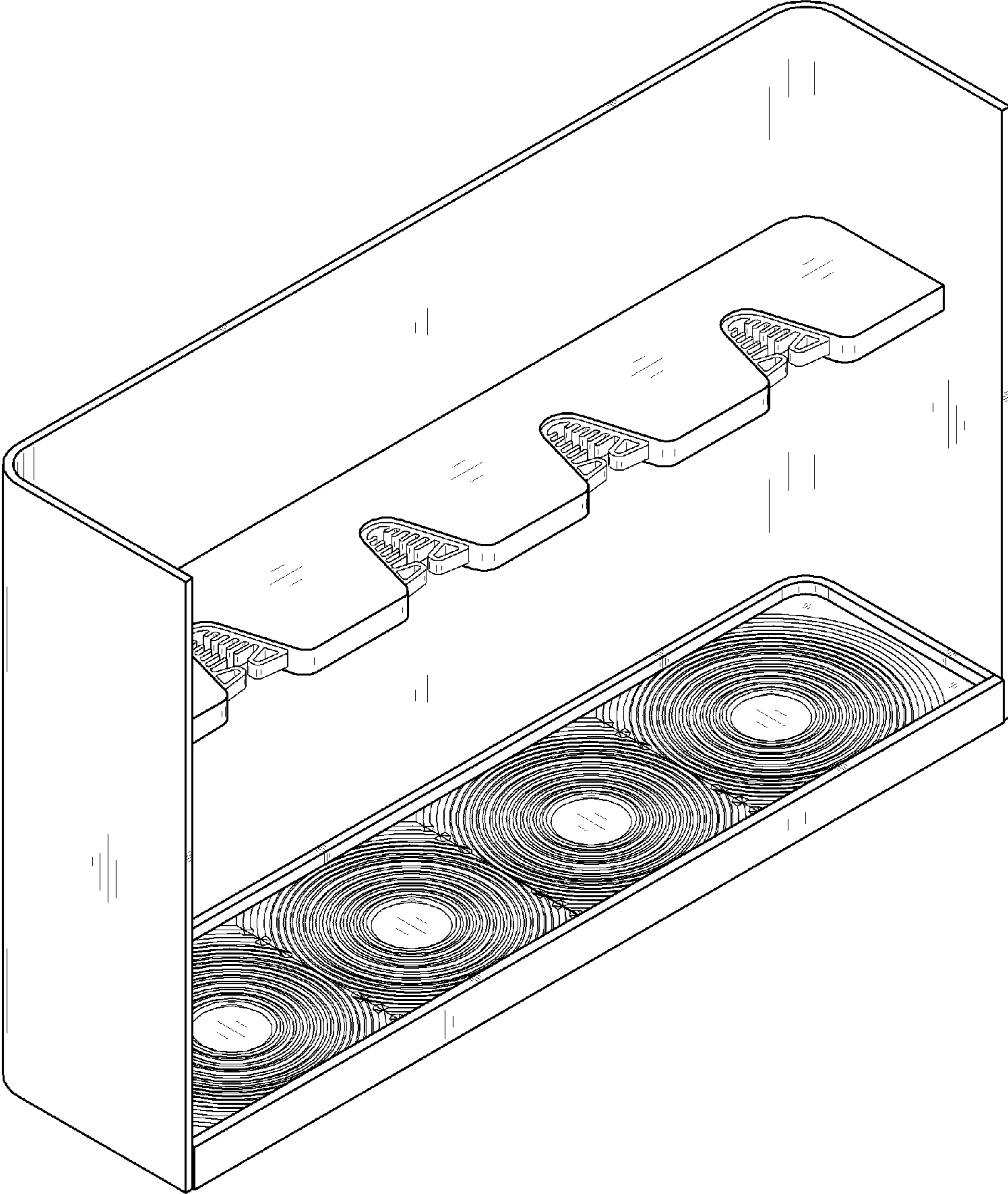


FIG. 2

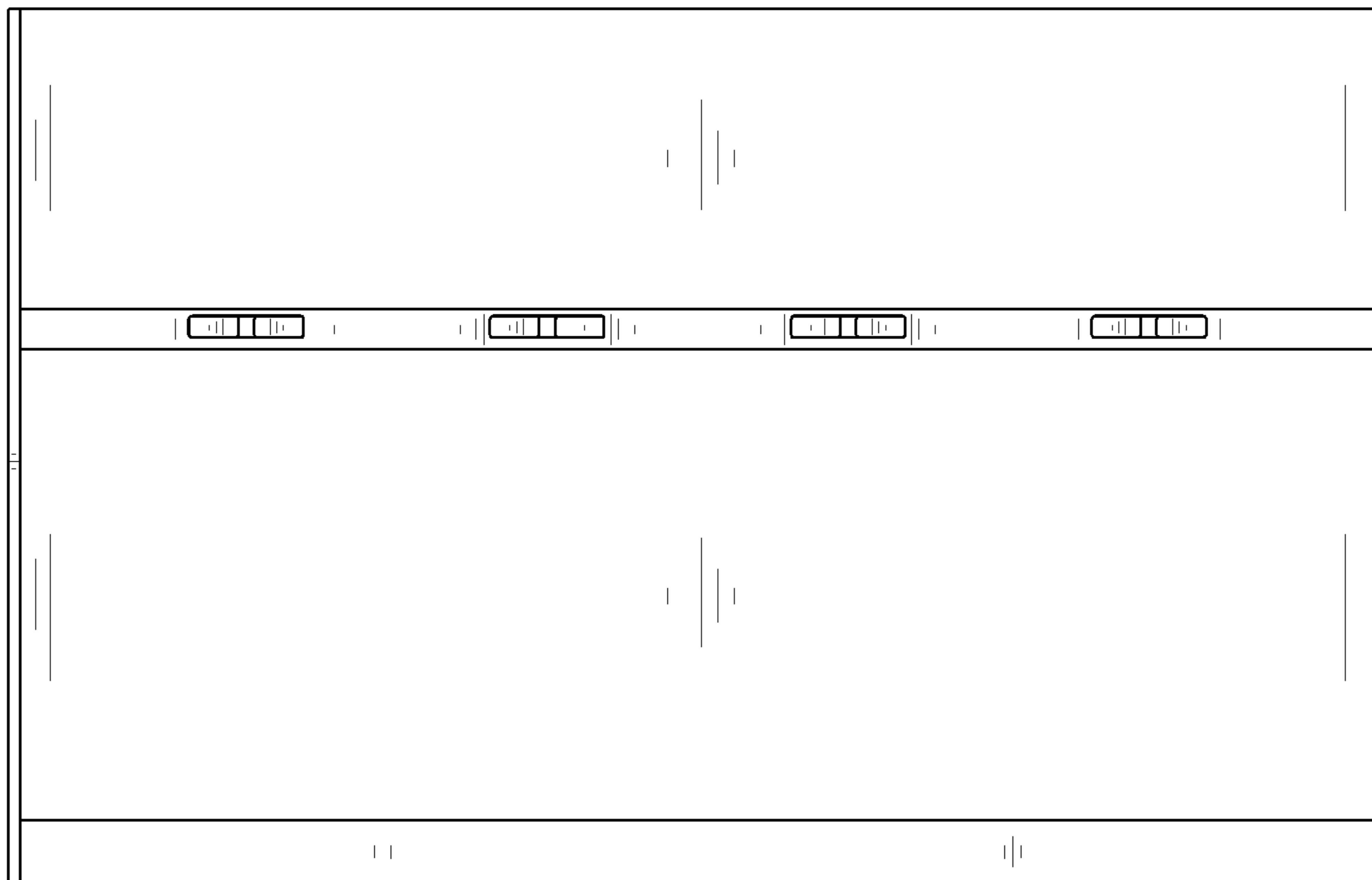


FIG. 3

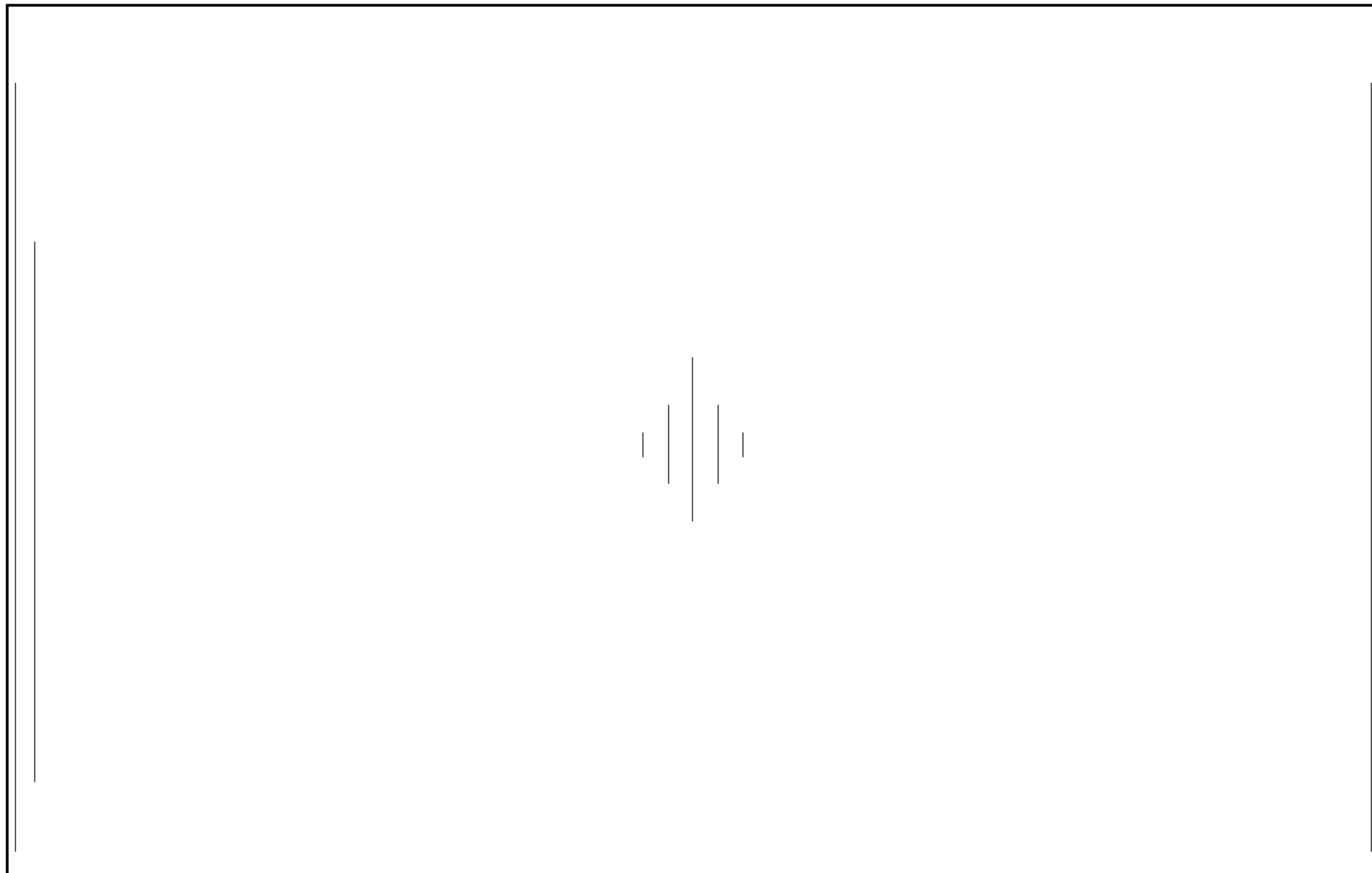


FIG. 4

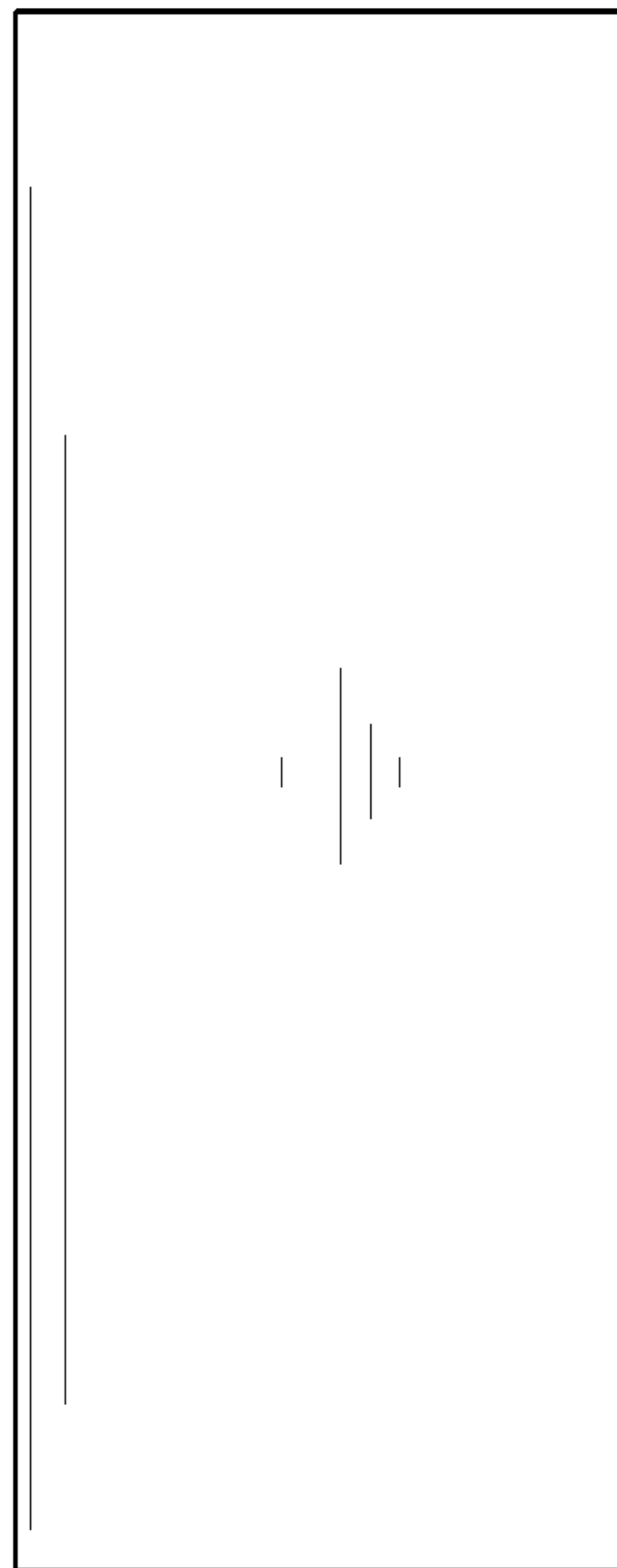


FIG. 5

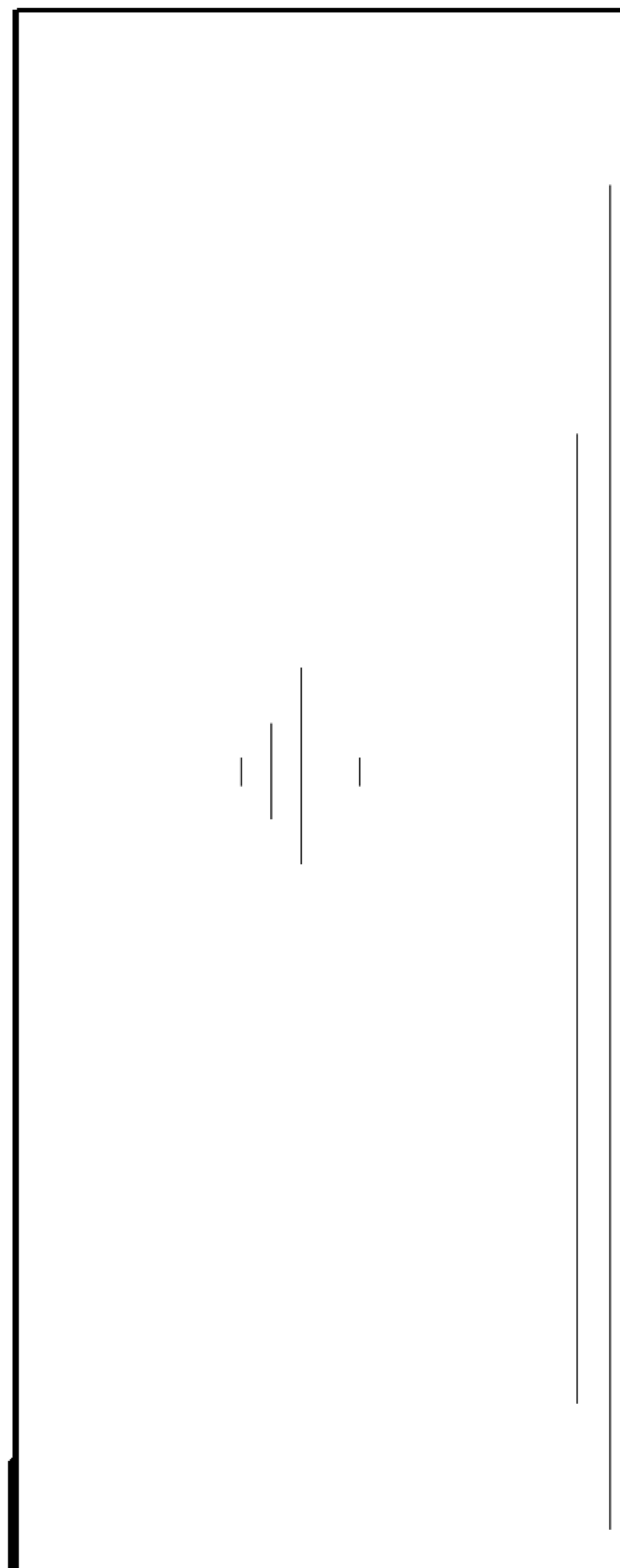


FIG. 6

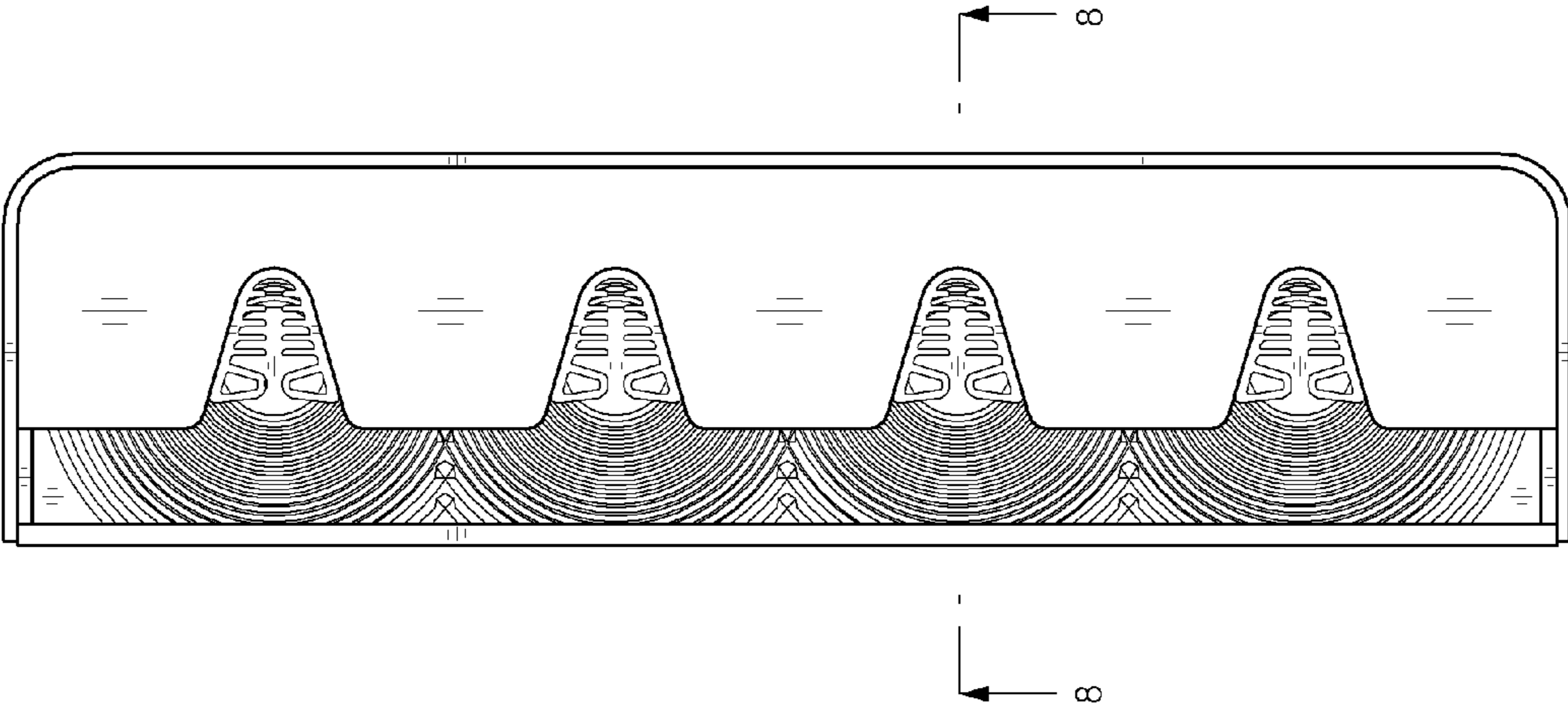


FIG. 7

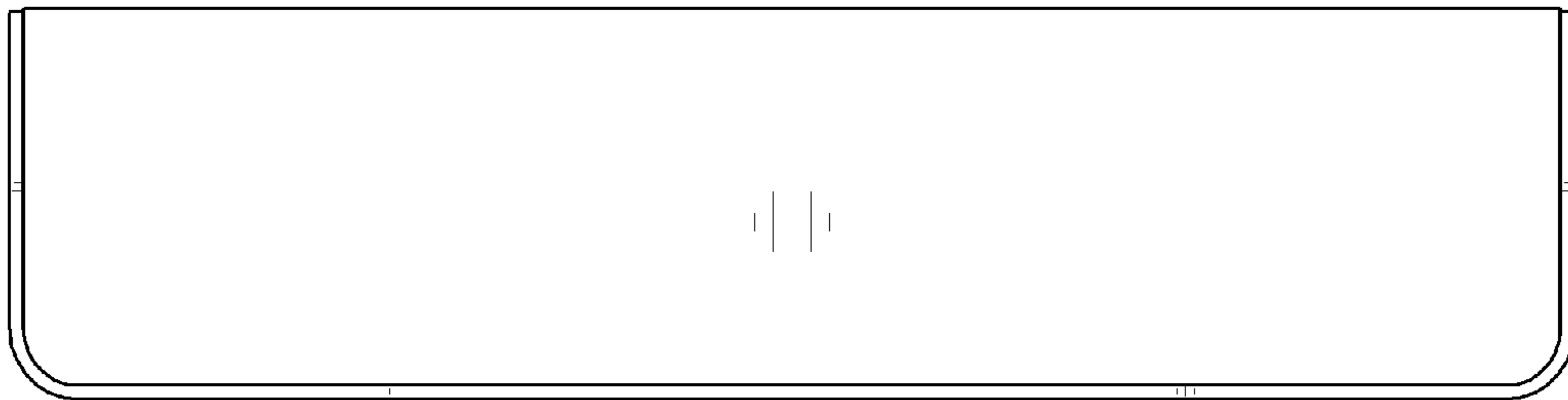




FIG. 8

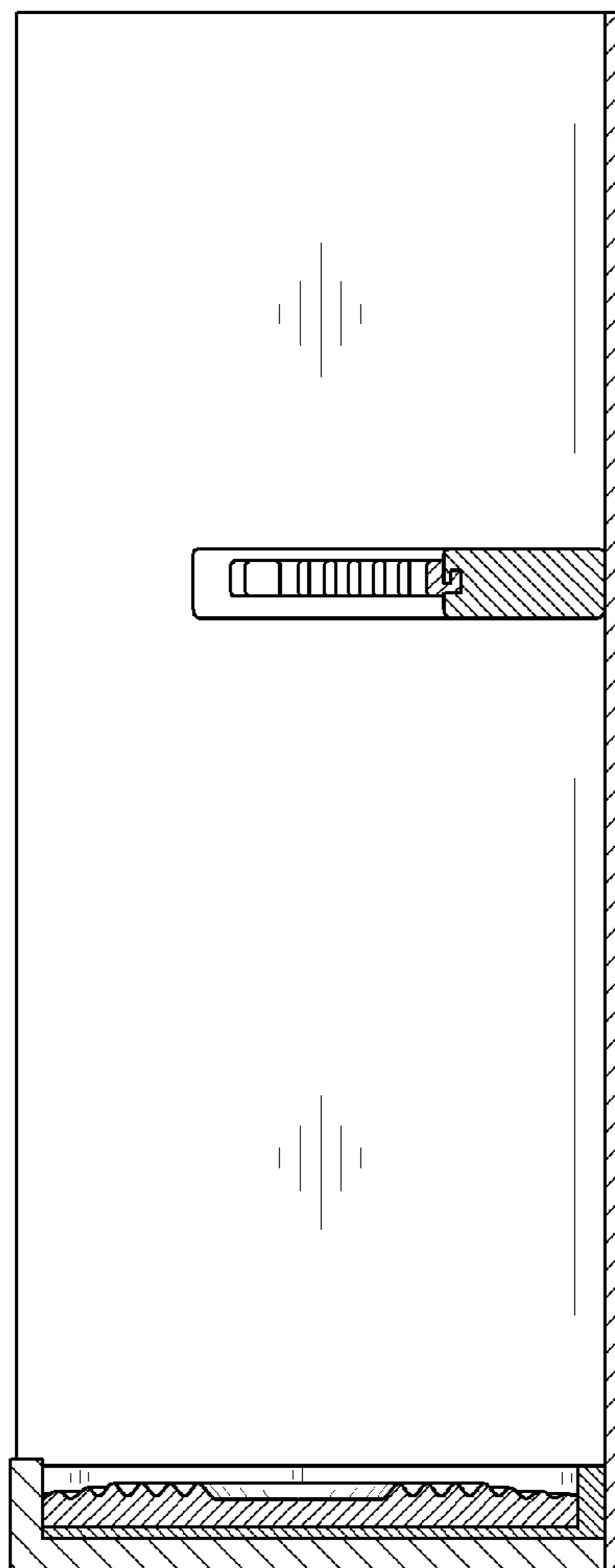


FIG. 9

