



US00D768210S

(12) **United States Design Patent** (10) **Patent No.:** **US D768,210 S**  
**Jacobsthal et al.** (45) **Date of Patent:** **\*\* Oct. 4, 2016**

(54) **HOOD OF AN AGRICULTURAL WORK VEHICLE**

(71) Applicant: **CNH Industrial America LLC**, New Holland, PA (US)

(72) Inventors: **Eric M. Jacobsthal**, Elmhurst, IL (US); **Dwayne St. George Jackson**, Plainfield, IL (US)

(73) Assignee: **CNH Industrial America LLC**, New Holland, PA (US)

(\*\*) Term: **15 Years**

(21) Appl. No.: **29/549,482**

(22) Filed: **Dec. 22, 2015**

(51) **LOC (10) Cl.** ..... **15-03**

(52) **U.S. Cl.**  
USPC ..... **D15/31**

(58) **Field of Classification Search**  
USPC ..... D15/10, 11, 13-17, 28, 22-26, 31;  
D12/173; 180/69.21, 89.1, 89.12, 900,  
180/69.2, 68.1, 69.1; 56/13.3, 13.4, 15.8,  
56/15.9, 320.1  
CPC ..... B62D 25/10; B62D 25/00; B62D  
49/00-49/085; B60R 19/52; B60R 21/38;  
B60K 13/02; B60K 11/08; B60K 11/04;  
F01P 11/10; F01P 5/06; F01P 2001/005;  
B60Y 2200/221

See application file for complete search history.

(56) **References Cited**

**U.S. PATENT DOCUMENTS**

D381,025 S *	7/1997	Bataille .....	D15/31
D389,492 S *	1/1998	Schmidt .....	D15/17
D411,210 S *	6/1999	Goebert .....	D12/163
D447,153 S *	8/2001	Hornung .....	D15/17
D447,754 S *	9/2001	Smith .....	D15/31
D451,106 S *	11/2001	Crookes .....	D15/31

D458,944 S *	6/2002	Crookes .....	D15/31
D465,500 S *	11/2002	Workman .....	D15/31
D483,383 S *	12/2003	Crookes .....	D15/31
D488,488 S *	4/2004	Montgomery .....	D15/31
D495,345 S *	8/2004	Farlow .....	D15/31
D512,079 S *	11/2005	Farlow .....	D15/31
D520,527 S *	5/2006	Crookes .....	D15/31
D521,532 S *	5/2006	Higashikawa .....	D15/31
D533,882 S *	12/2006	Higashikawa .....	D15/31
D554,669 S *	11/2007	Crookes .....	D15/31
D557,714 S *	12/2007	Higashikawa .....	D15/31
D558,799 S *	1/2008	Higashikawa .....	D15/31
D560,692 S *	1/2008	Moen .....	D15/31
D570,382 S *	6/2008	Higashikawa .....	D15/31
D591,777 S *	5/2009	Kokitkar .....	D15/31

(Continued)

**OTHER PUBLICATIONS**

U.S. Appl. No. 29/549,436, filed Dec. 22, 2015, Eric M. Jacobsthal.  
(Continued)

*Primary Examiner* — Mark Goodwin

(74) *Attorney, Agent, or Firm* — Rebecca L. Henkel

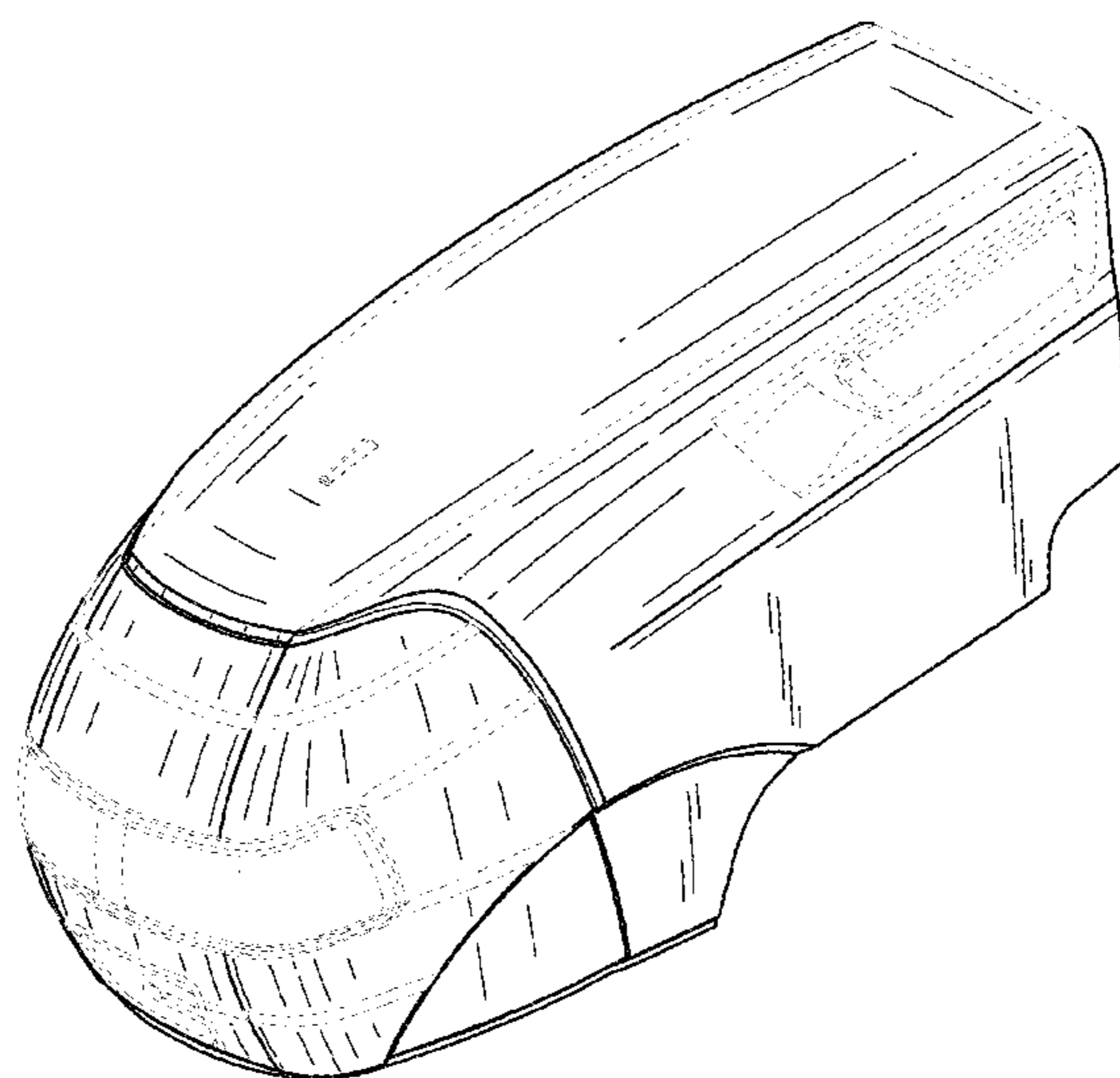
(57) **CLAIM**

The ornamental design for a hood of an agricultural work vehicle, substantially as shown and described.

**DESCRIPTION**

FIG. 1 is a perspective view of a hood of an agricultural work vehicle;  
FIG. 2 is a left side view of the hood, the right side view being a mirror image of the left side view being shown;  
FIG. 3 is a front view of the hood;  
FIG. 4 is a back view of the hood;  
FIG. 5 is a top view of the hood; and,  
FIG. 6 is a bottom view of the hood.  
Phantom lines, where utilized, are for illustrative purposes only and form no part of the claimed design.

**1 Claim, 5 Drawing Sheets**



(56)

References Cited

U.S. PATENT DOCUMENTS

D620,503 S \* 7/2010 Krogh ..... D15/31  
D620,955 S \* 8/2010 Krogh ..... D15/31  
D631,489 S \* 1/2011 Booth ..... D15/31  
D632,312 S \* 2/2011 Booth ..... D15/31  
D646,305 S \* 10/2011 Krogh ..... D15/31  
D655,317 S \* 3/2012 Hagele ..... D15/31  
D655,318 S \* 3/2012 Hagele ..... D15/31  
D661,323 S \* 6/2012 Krogh ..... D15/31  
D668,695 S \* 10/2012 Ringer ..... D15/31  
D675,233 S \* 1/2013 Kushita ..... D15/31  
D676,466 S \* 2/2013 Ewringmann ..... D15/20  
D682,323 S \* 5/2013 Ryan ..... D15/31  
D699,765 S \* 2/2014 Tentinger ..... D15/31

D706,841 S \* 6/2014 Shimomura ..... D15/31  
D707,729 S \* 6/2014 Jackson ..... D15/31  
D707,730 S \* 6/2014 Jackson ..... D15/31  
D714,838 S \* 10/2014 Shimomura ..... D15/31  
D716,348 S \* 10/2014 Ryan ..... D15/31  
D716,846 S \* 11/2014 Carter ..... D15/31

OTHER PUBLICATIONS

U.S. Appl. No. 29/530,527, filed Jun. 17, 2015, Dwayne St. George Jackson.

U.S. Appl. No. 29/530,434, filed Jun. 16, 2015, Dwayne St. George Jackson.

\* cited by examiner

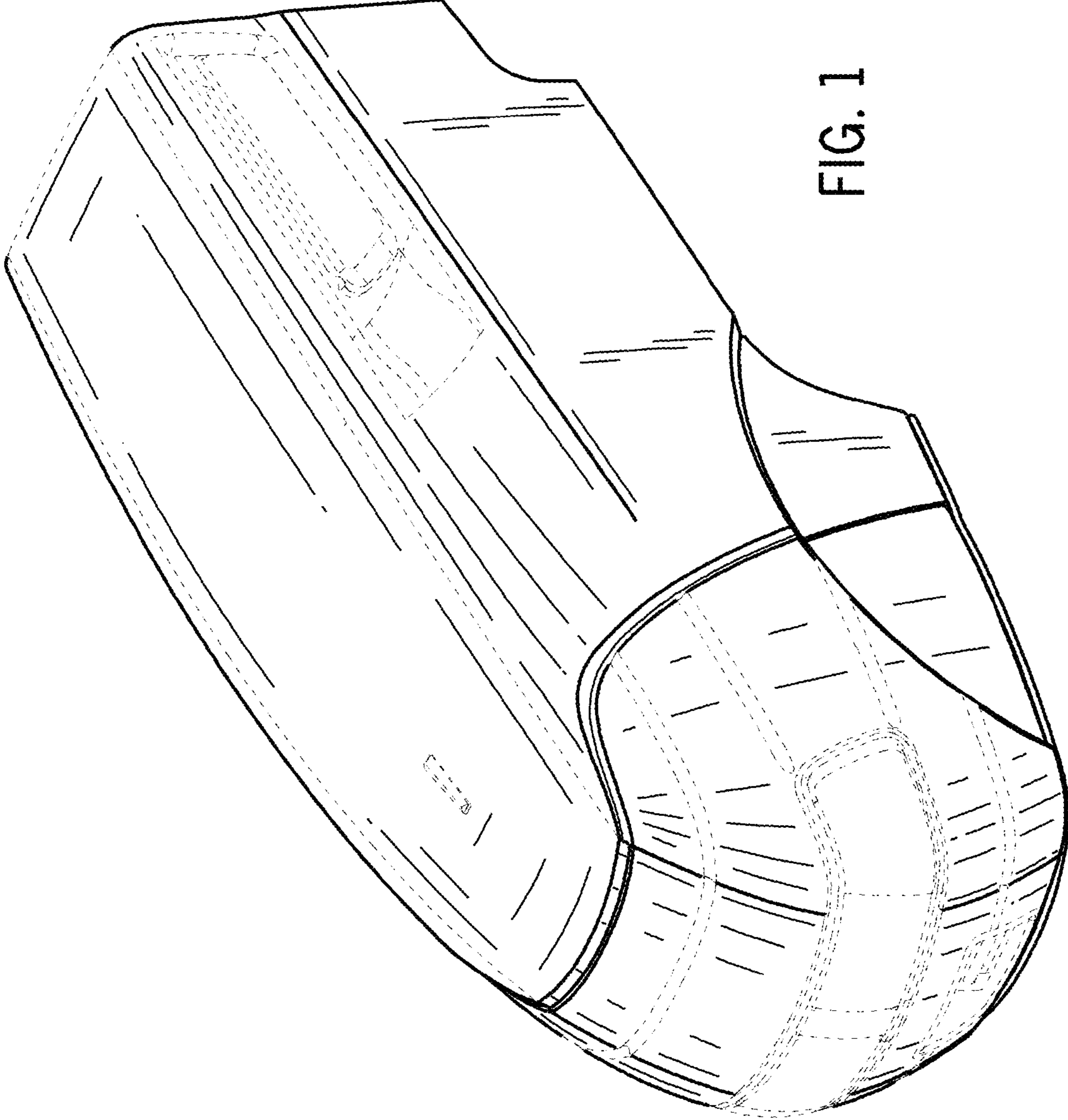


FIG. 1

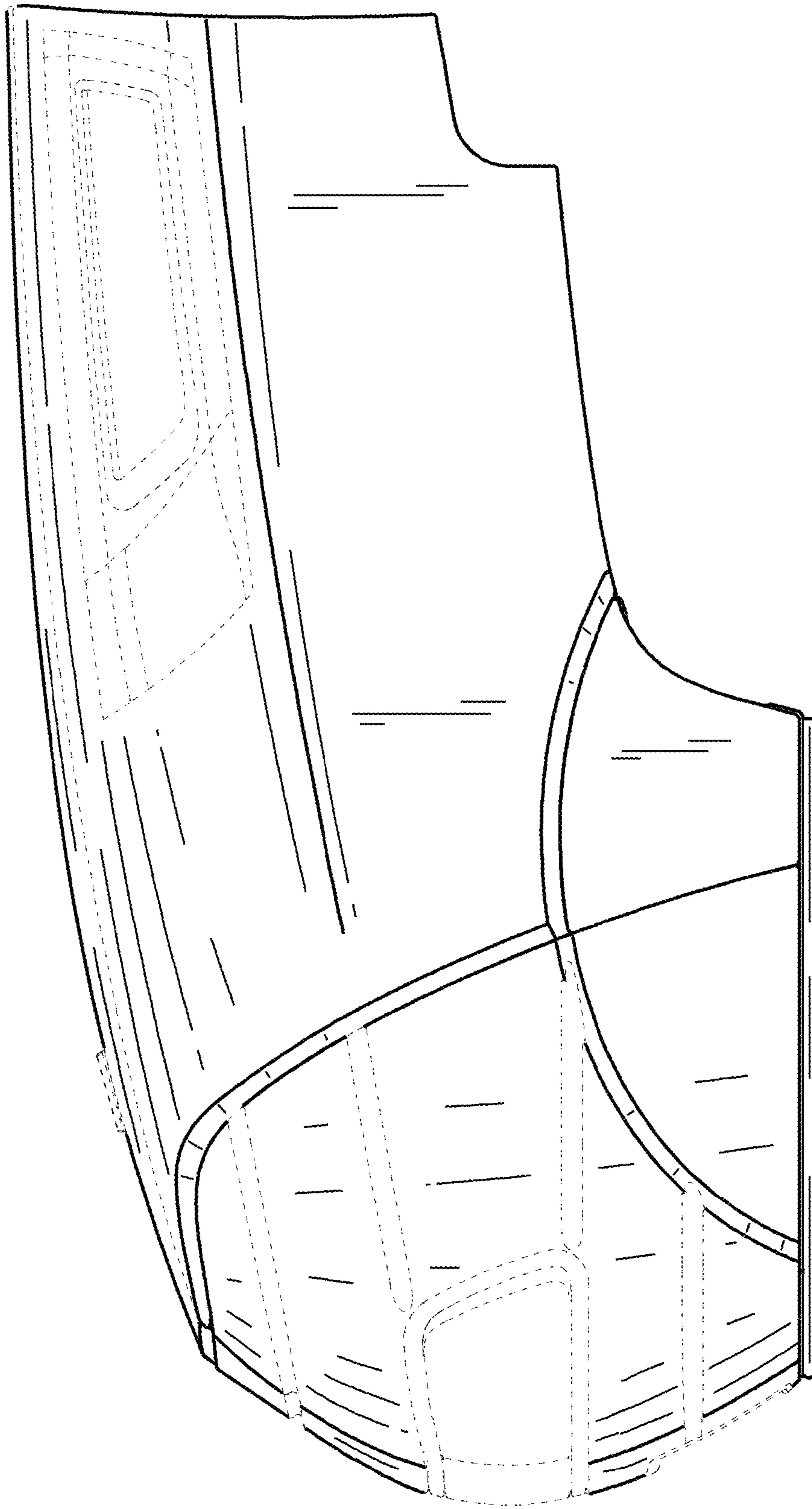


FIG. 2

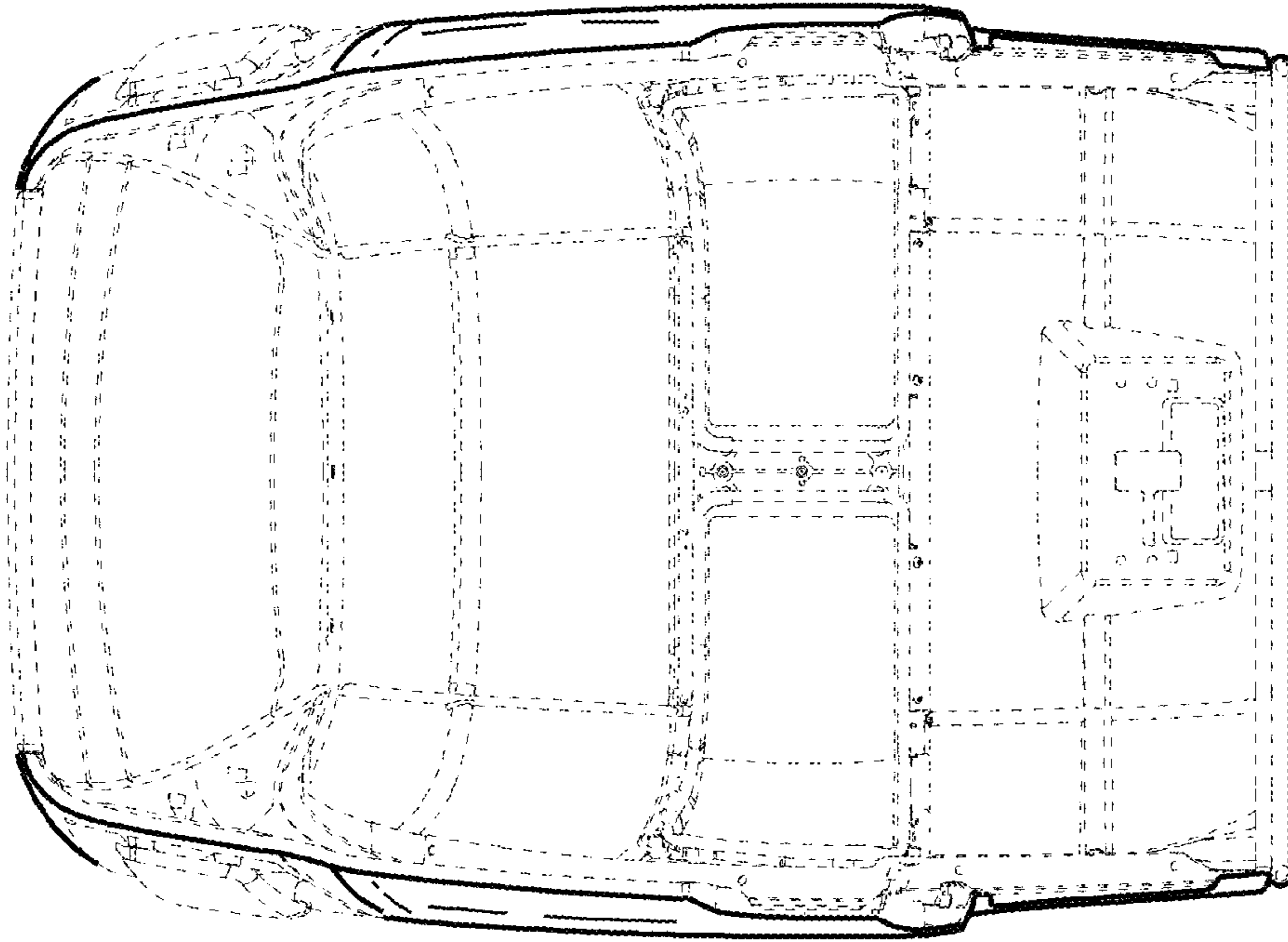


FIG. 4

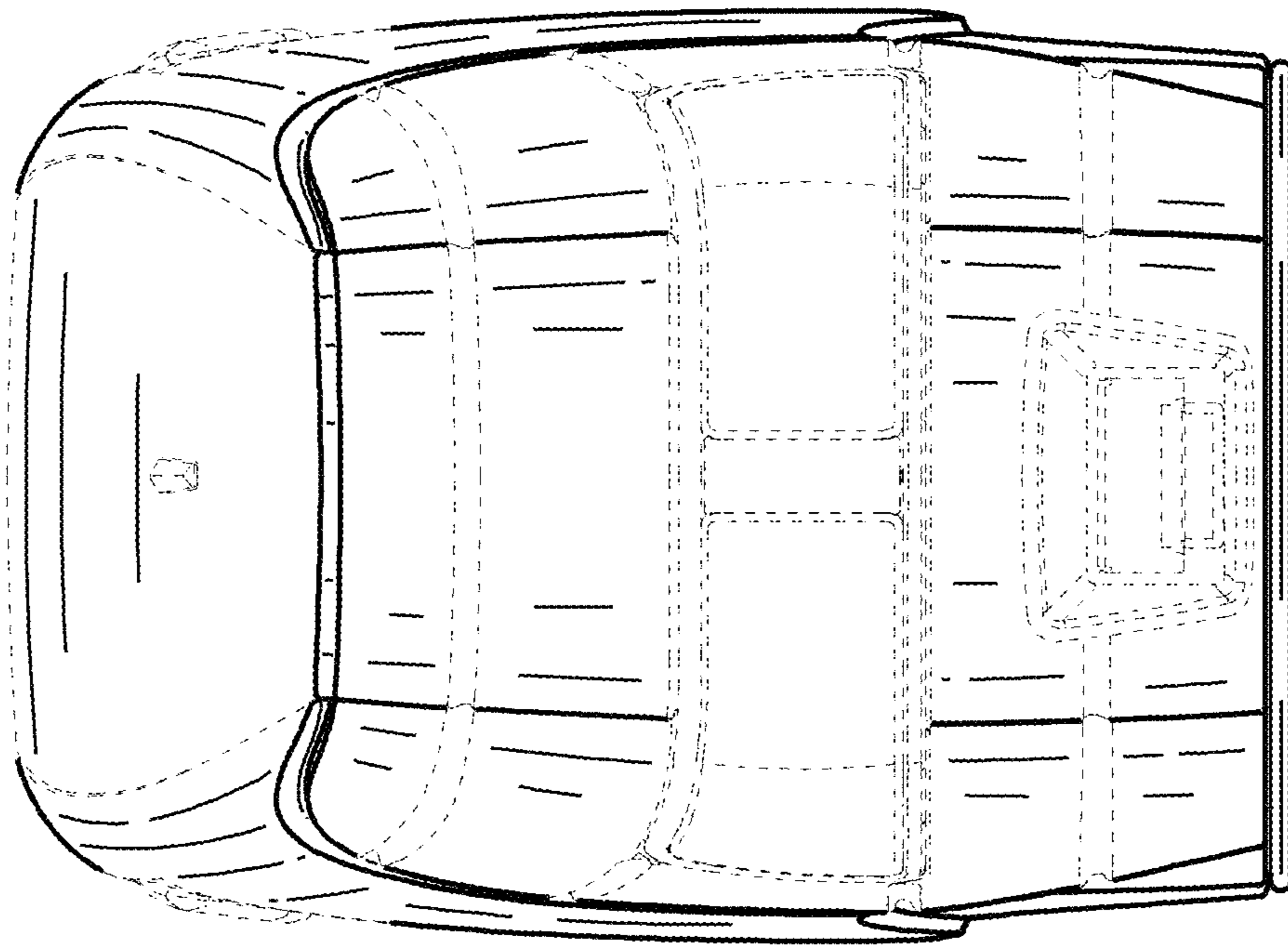


FIG. 3

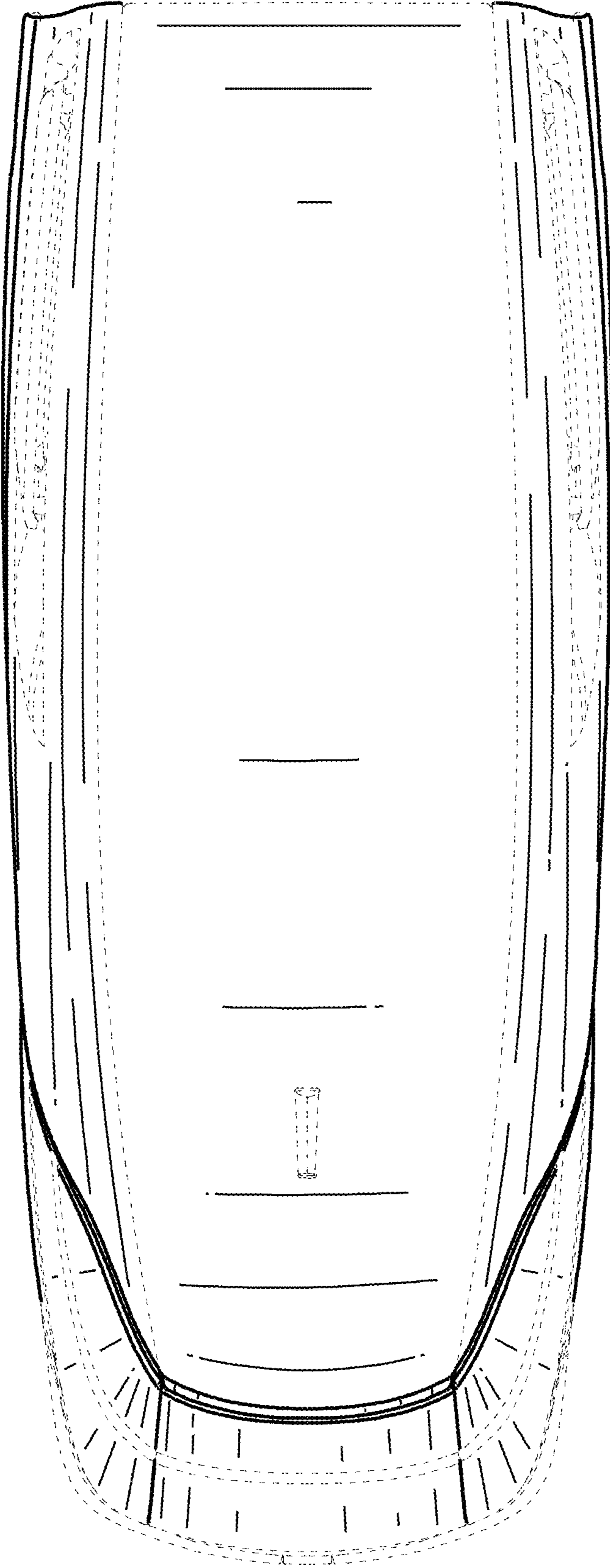


FIG. 5

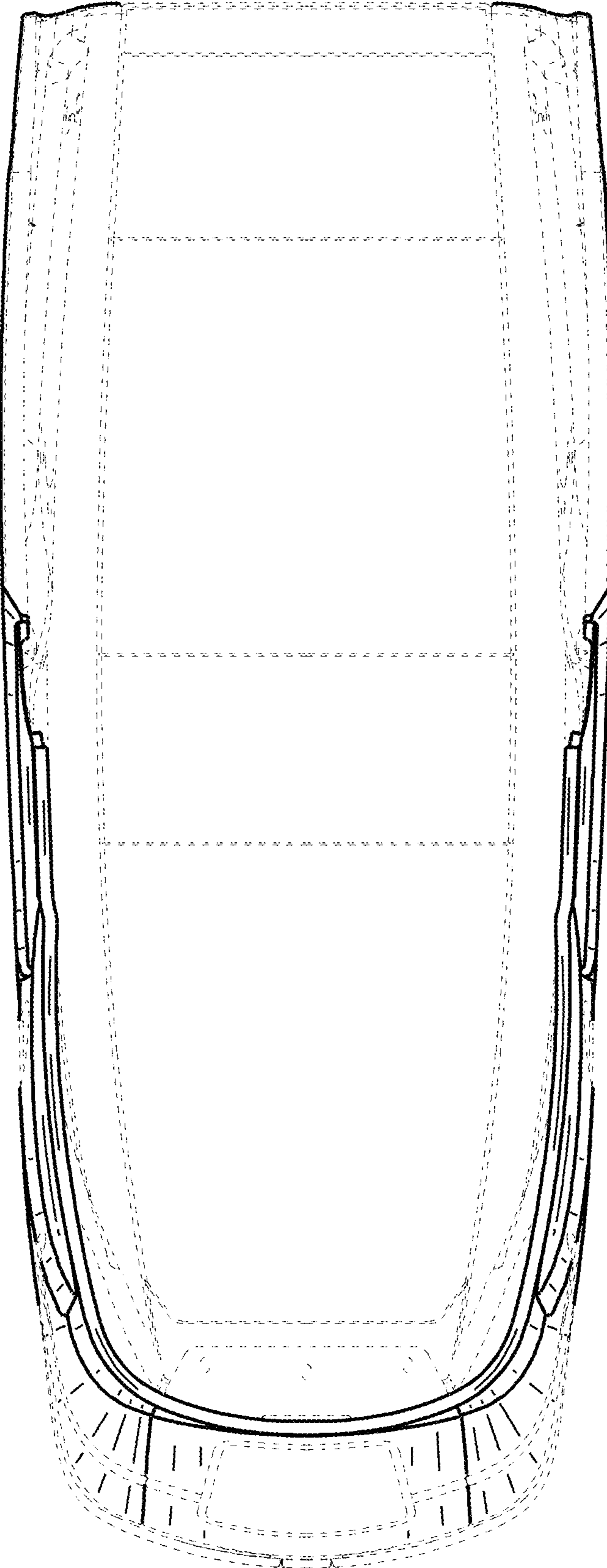


FIG. 6