



US00D768209S

(12) **United States Design Patent** (10) **Patent No.:** **US D768,209 S**
Jilbert et al. (45) **Date of Patent:** **** Oct. 4, 2016**

(54) **COUNTERWEIGHT FOR AN EXCAVATOR**

(71) Applicant: **J.C. BAMFORD EXCAVATORS LIMITED**, Utttoxeter (GB)

(72) Inventors: **Samuel John Jilbert**, Utttoxeter (GB); **Thomas Edward Underhill**, Rocester (GB); **Samuel Payne**, Utttoxeter (GB)

(73) Assignee: **J.C. BAMFORD EXCAVATORS LIMITED**, Utttoxeter (GB)

(**) Term: **15 Years**

(21) Appl. No.: **29/541,922**

(22) Filed: **Oct. 9, 2015**

(30) **Foreign Application Priority Data**

Apr. 10, 2015 (EM) 001433304

(51) **LOC (10) Cl.** **15-03**

(52) **U.S. Cl.**
USPC **D15/28**

(58) **Field of Classification Search**
USPC D15/10, 22-29, 30, 33, 31; D34/34, 35;
296/193.03, 193.08; 172/611, 776;
180/69.24, 89.1, 89.12, 89.13, 900,
180/326; 37/443, 379; 414/601, 602, 685,
414/687, 688, 694, 722-724, 699, 680, 698,
414/719, 743
CPC E02F 9/18; B62D 49/085; B62D 49/08;
B66C 23/72; B66C 23/74
See application file for complete search history.

(56) **References Cited**

U.S. PATENT DOCUMENTS

5,462,309 A * 10/1995 Jeffers E02F 9/18
187/222
D393,268 S * 4/1998 Tachinou D15/28
D440,236 S * 4/2001 Kraft D15/28
D490,444 S * 5/2004 Kuwae D15/33

D506,211 S * 6/2005 Kuwae D15/33
7,036,251 B2 * 5/2006 Kojima E02F 9/18
37/466
D528,568 S * 9/2006 Kuwae D15/28
D549,740 S * 8/2007 Teich D15/28
D559,279 S * 1/2008 Sakitani D15/28
7,354,066 B2 * 4/2008 Yamamoto B62D 49/085
280/759
D579,465 S * 10/2008 Ochi D15/28
D582,947 S * 12/2008 Ueta D15/28
7,467,722 B2 * 12/2008 Ramun B66C 23/72
212/178
D587,285 S * 2/2009 Murakami D15/28
D637,628 S * 5/2011 Rupp D15/28

(Continued)

Primary Examiner — Mark Goodwin

(74) *Attorney, Agent, or Firm* — Marshall, Gerstein & Borun LLP

(57) **CLAIM**

The ornamental design for a counterweight for an excavator, as shown and described.

DESCRIPTION

FIG. 1 is a front, right-side, and top view of a counterweight for an excavator showing one embodiment of the new design.

FIG. 2 is a front elevation view of the counterweight for an excavator.

FIG. 3 is a left-side elevation view thereof.

FIG. 4 is a right-side elevation view thereof.

FIG. 5 is top plan view thereof.

FIG. 6 is a rear elevation view thereof.

FIG. 7 is a top, rear, and left-side view thereof.

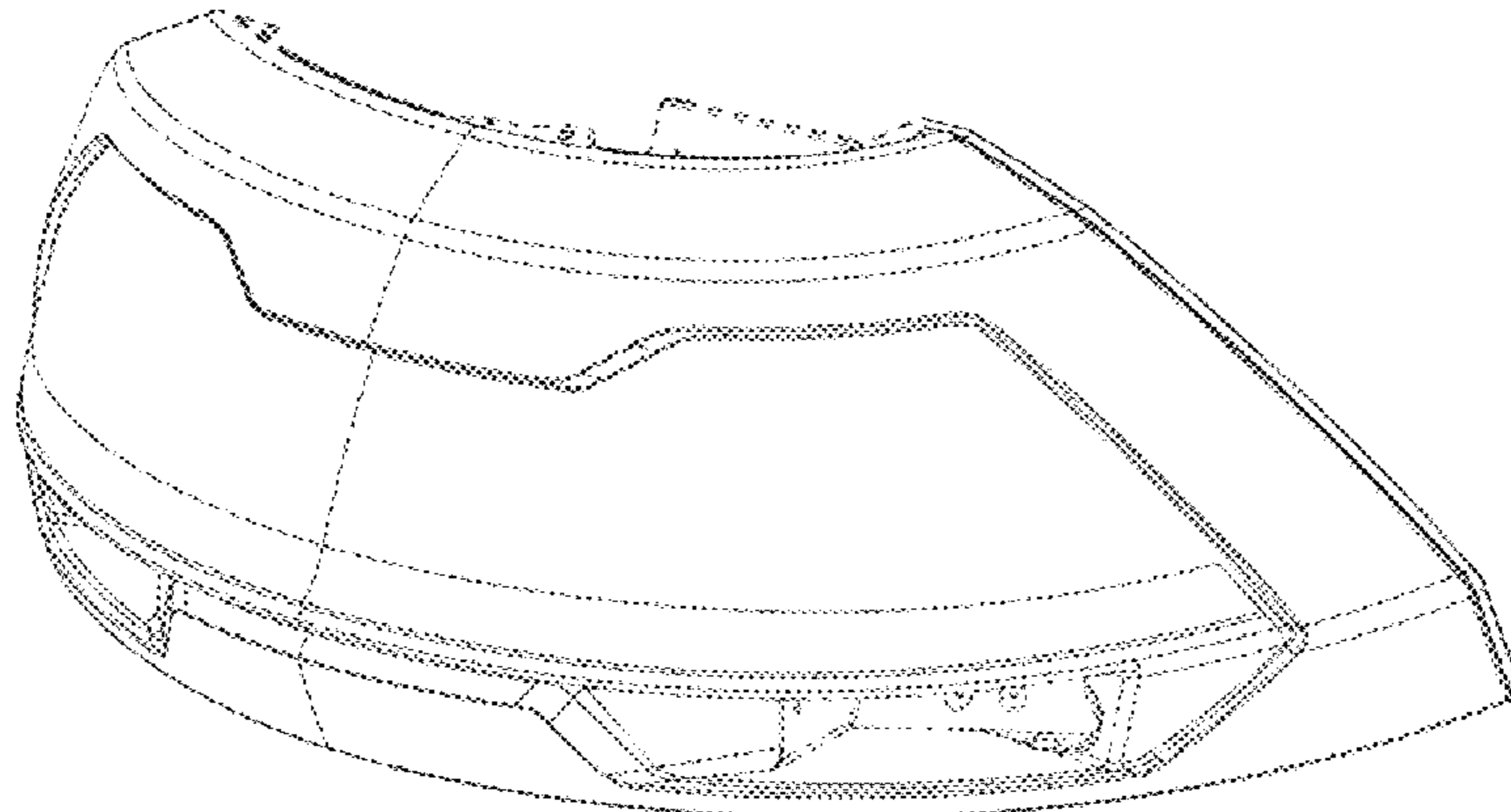
FIG. 8 is a top, rear, and right-side view thereof; and,

FIG. 9 is a top, front, and left-side view thereof.

The broken lines show elements of the counterweight for an excavator that are not seen when the counterweight is installed, which form no part of the claimed design.

Any elements that are not clearly disclosed are not part of the claimed design.

1 Claim, 7 Drawing Sheets



(56)

References Cited

U.S. PATENT DOCUMENTS

D664,569 S *	7/2012	Rupp	D15/28	D725,683 S *	3/2015	Payne	D15/31
D678,358 S *	3/2013	Hiraoka	D15/28	D726,229 S *	4/2015	Turner	D15/28
D678,359 S *	3/2013	Hagura	D15/28	D727,370 S *	4/2015	Payne	D15/31
D680,136 S *	4/2013	Tsukamoto	D15/28	D728,638 S *	5/2015	Payne	D15/31
D684,602 S *	6/2013	Hagura	D15/28	D728,639 S *	5/2015	Payne	D15/31
D684,603 S *	6/2013	Hagura	D15/28	D746,014 S *	12/2015	Rekow	D34/35
D684,604 S *	6/2013	Saito	D15/28	D746,534 S *	12/2015	Rekow	D34/35
D693,858 S *	11/2013	Hagura	D15/28	D749,150 S *	2/2016	Payne	D15/31
D723,069 S *	2/2015	Turner	D15/28	D749,646 S *	2/2016	Turner	D15/28
D724,106 S *	3/2015	Gallagher	D15/28	2004/0200100 A1 *	10/2004	Kojima	E02F 9/18 37/348
D725,157 S *	3/2015	Higuchi	D15/28	2005/0012314 A1 *	1/2005	Kubo	B62D 49/085 280/757

* cited by examiner

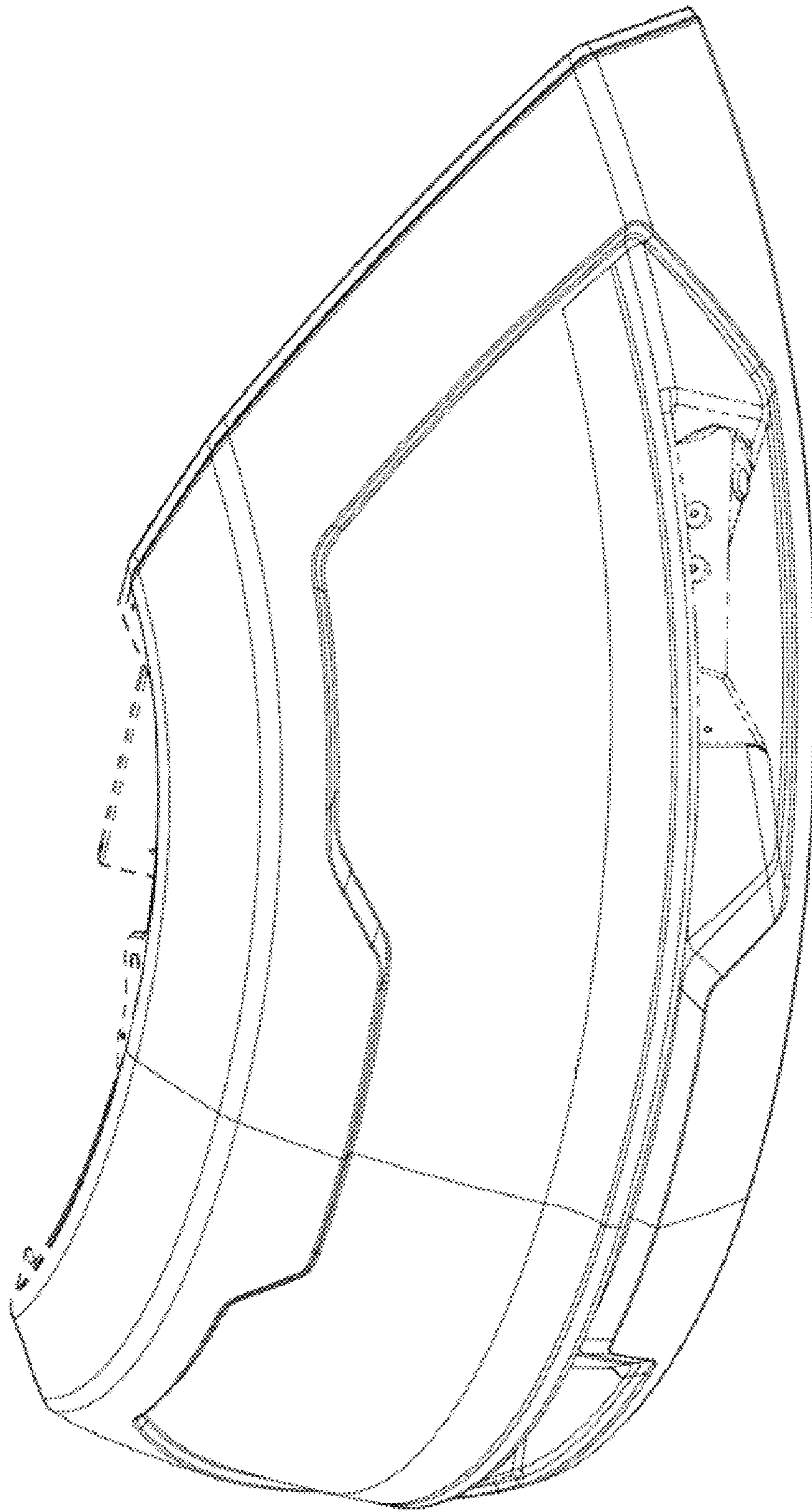


Fig. 1

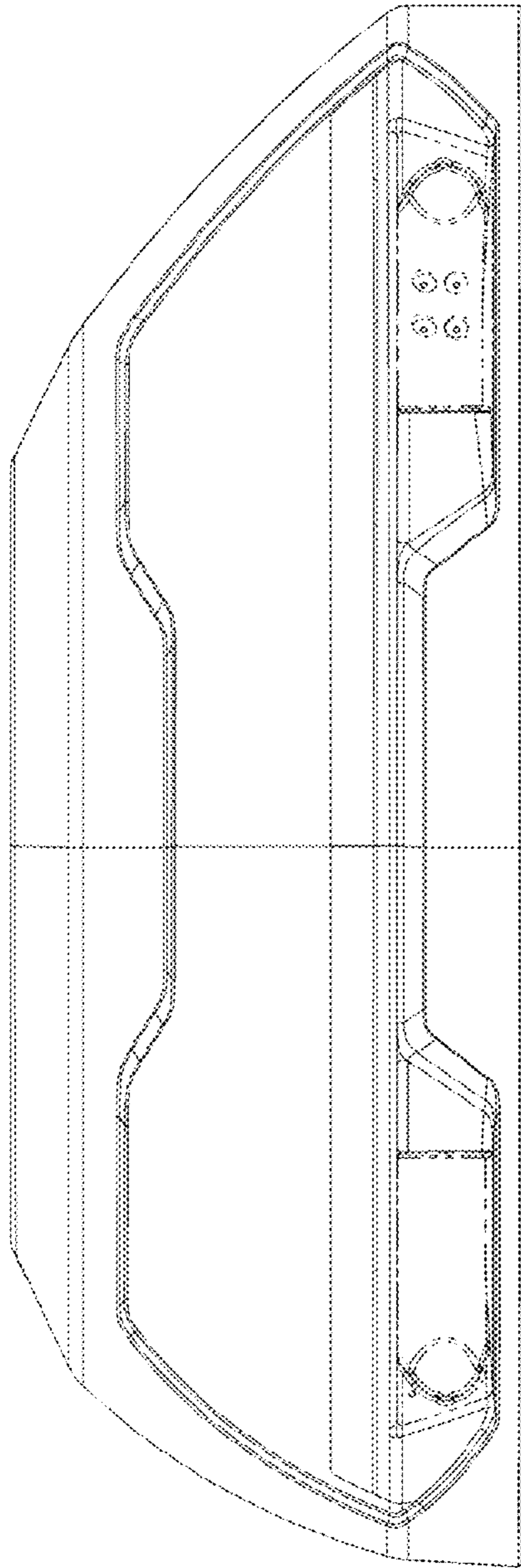


Fig. 2

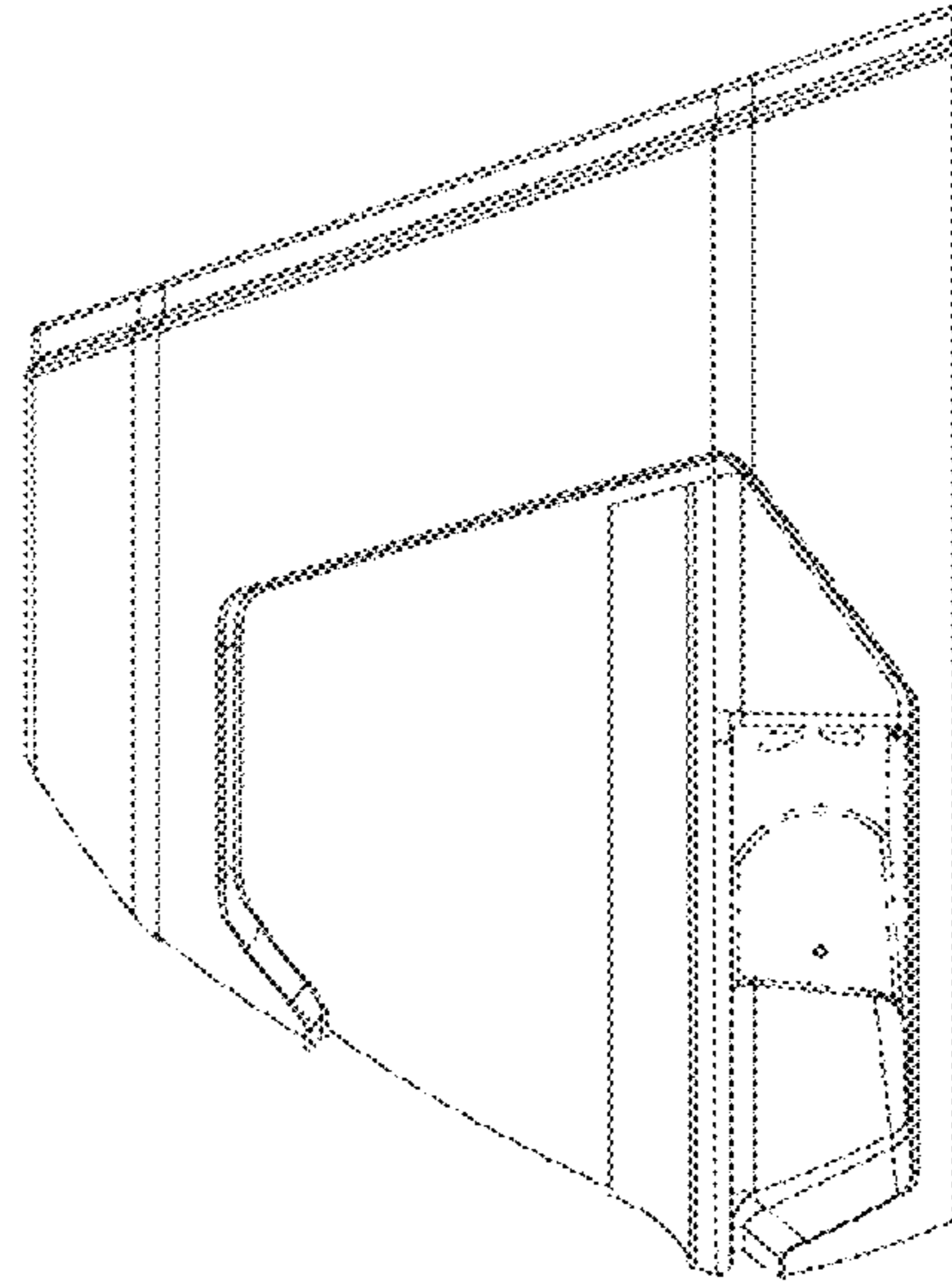


Fig. 4

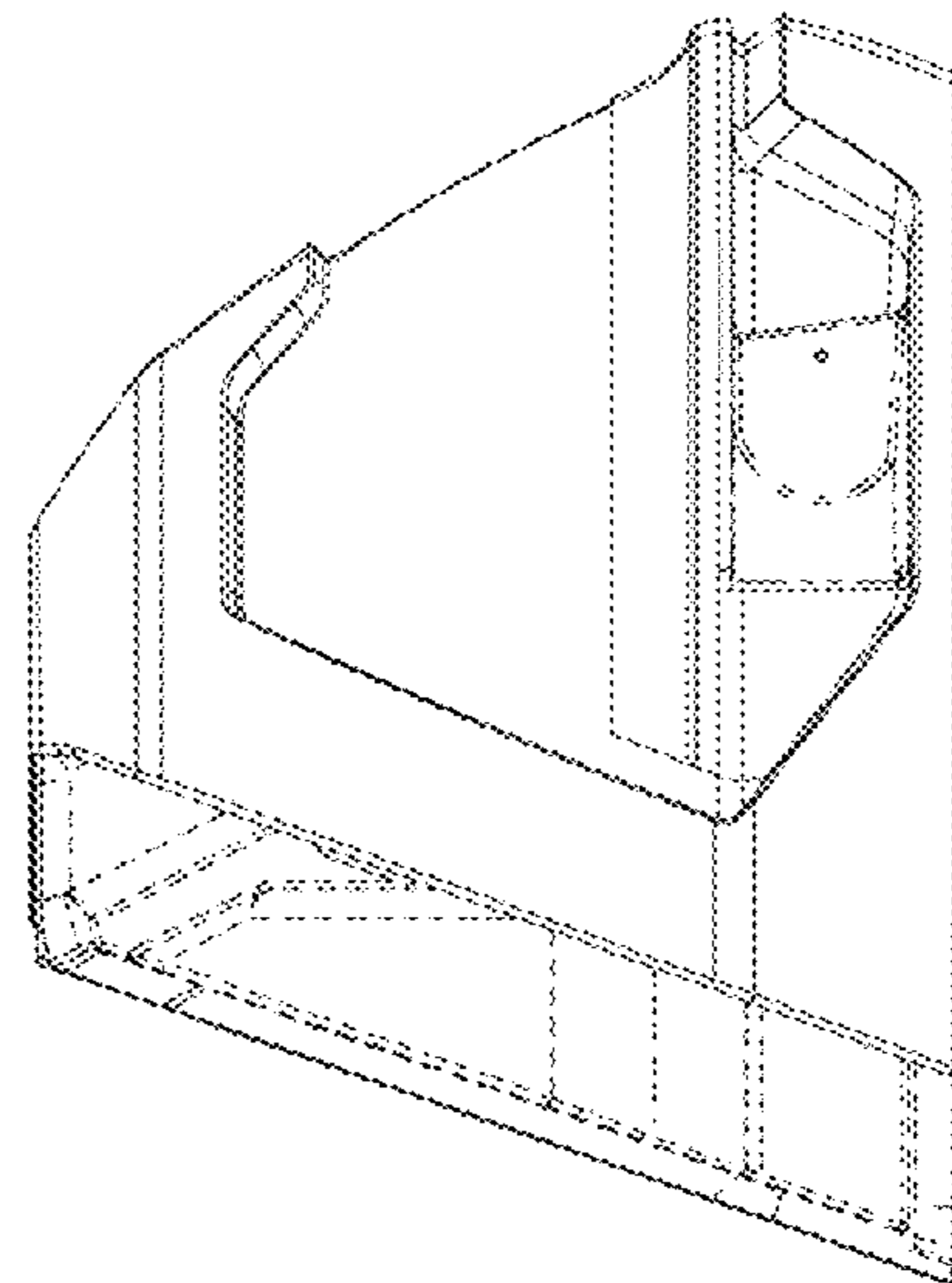


Fig. 3

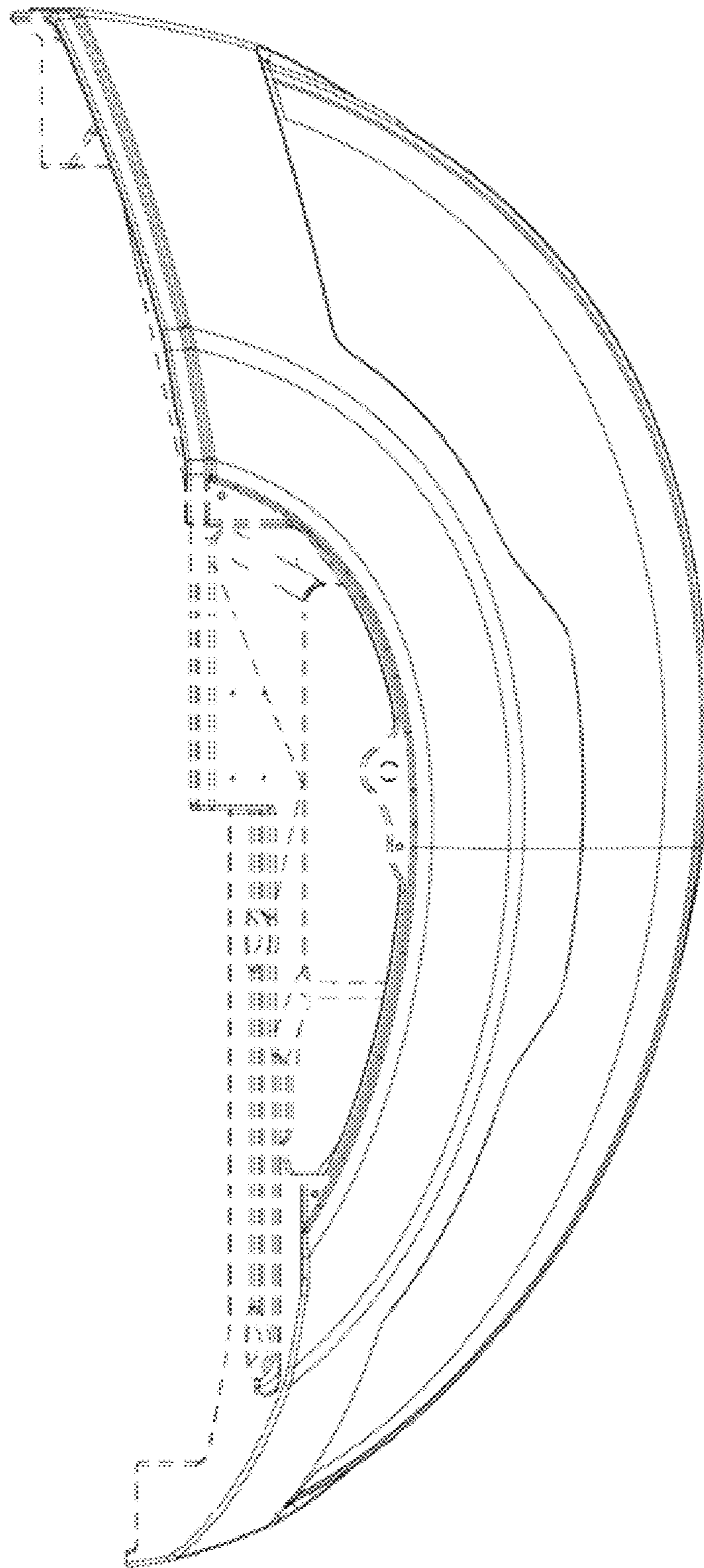


Fig. 5

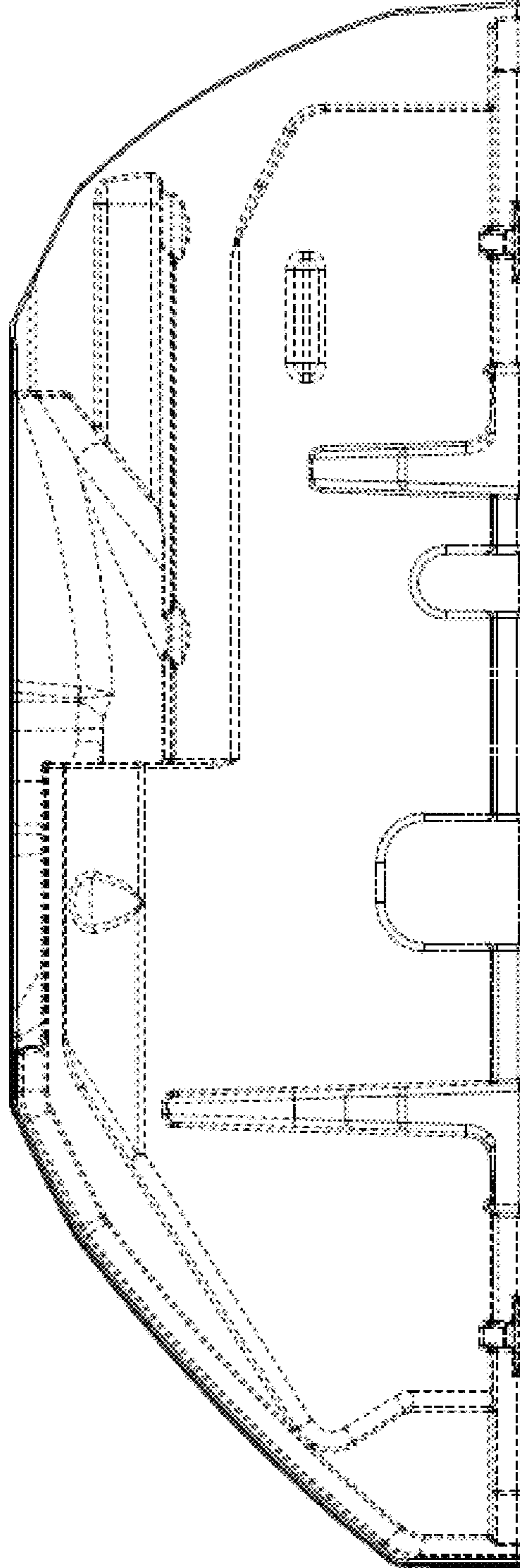


Fig. 6

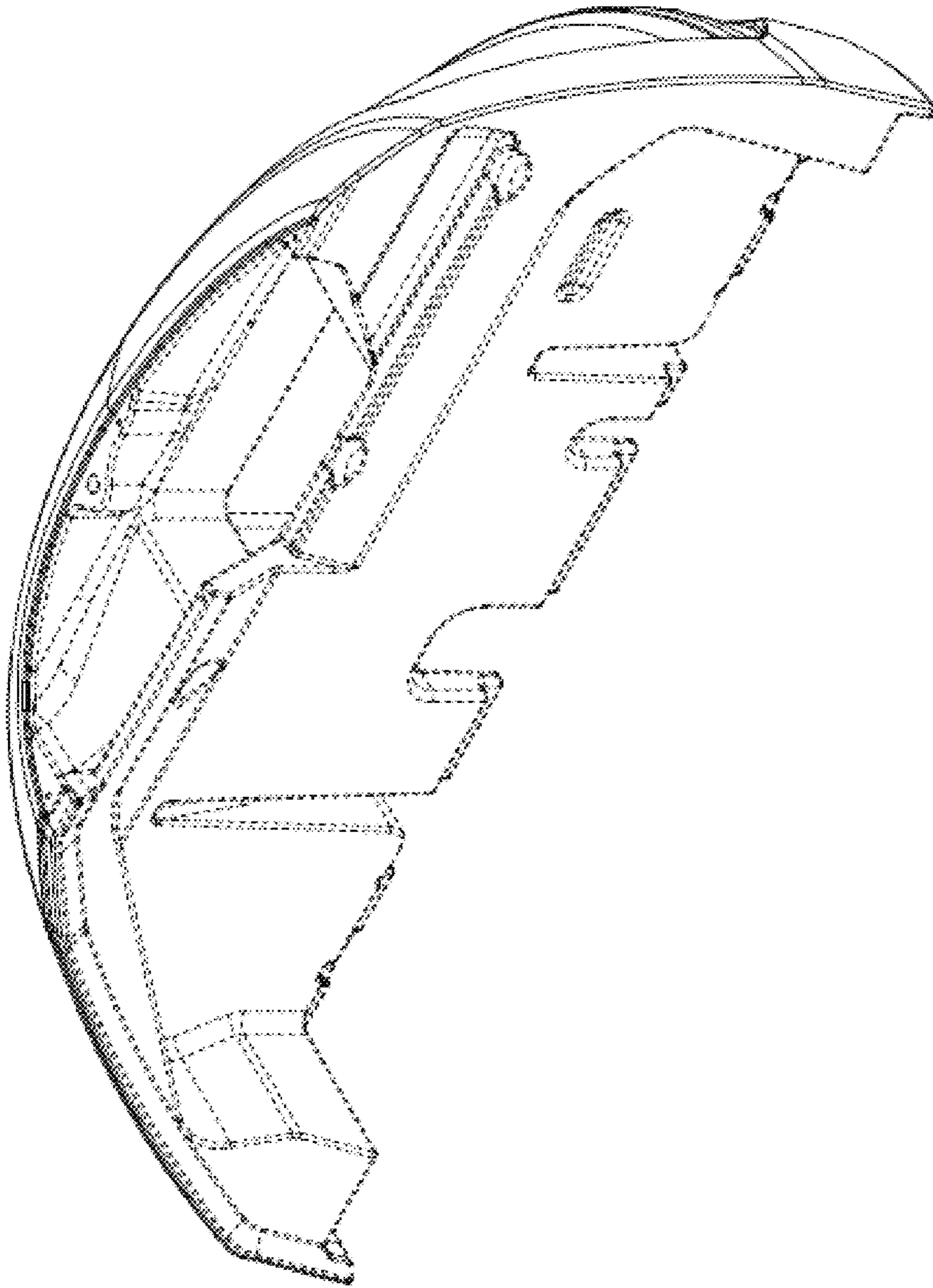


Fig. 7

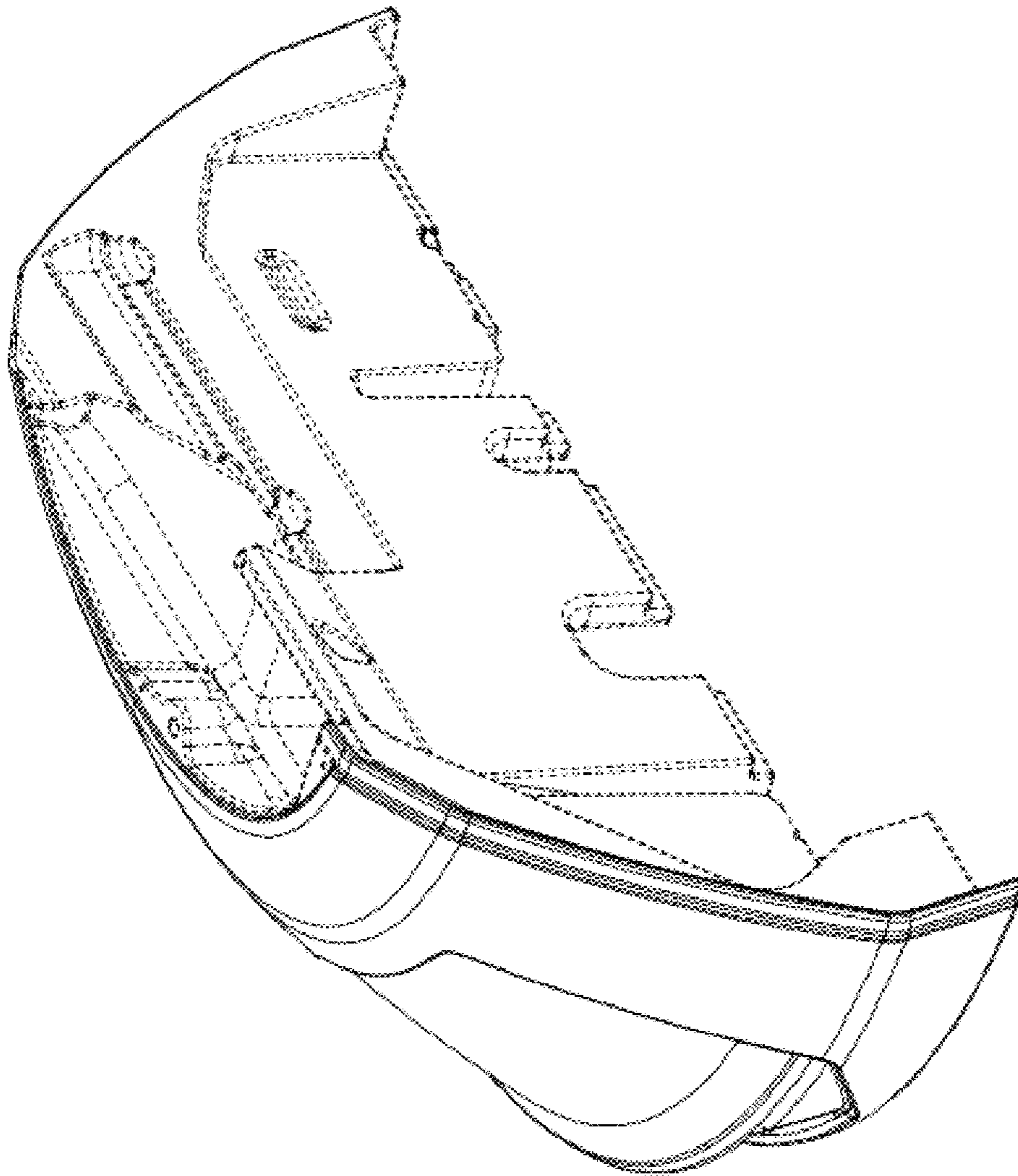


Fig. 8

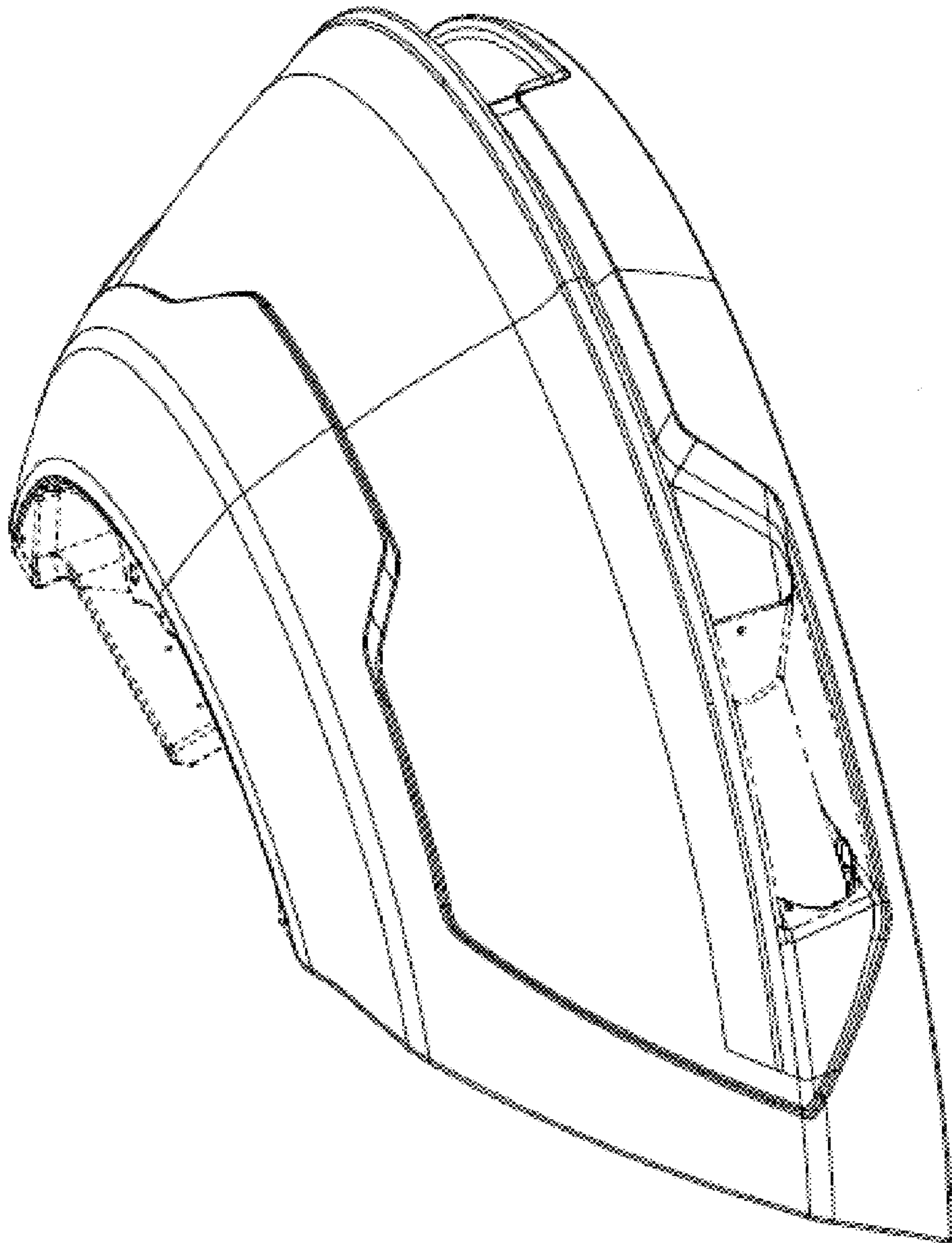


Fig. 9