



US00D768207S

(12) **United States Design Patent** (10) **Patent No.:** **US D768,207 S**  
**Riffe et al.** (45) **Date of Patent:** **\*\* Oct. 4, 2016**

(54) **PISTON**  
(71) Applicant: **Federal-Mogul Corporation**,  
Southfield, MI (US)  
(72) Inventors: **Jeff Riffe**, Troy, MI (US); **Michael Weinenger**, Southfield, MI (US)  
(73) Assignee: **Federal-Mogul Corporation**,  
Southfield, MI (US)  
(\*\*) Term: **14 Years**  
(21) Appl. No.: **29/496,734**  
(22) Filed: **Jul. 16, 2014**  
(51) **LOC (10) Cl.** ..... **15-01**  
(52) **U.S. Cl.**  
USPC ..... **D15/5**  
(58) **Field of Classification Search**  
USPC ..... D15/1-5, 7; 123/193.6, 47 A, 47 R,  
123/41.35, 661, 659  
CPC .. F02F 3/00; F02F 2003/0007; F02F 3/0015;  
F02F 3/0069; F02F 3/0084; F02F 3/0092;  
F02F 3/027; F02F 5/00; F02F 3/28  
See application file for complete search history.

(56) **References Cited**  
U.S. PATENT DOCUMENTS  
4,161,165 A 7/1979 Belush et al.  
4,989,559 A 2/1991 Fletcher-Jones  
6,772,846 B1 8/2004 Scharp  
6,840,156 B1 1/2005 Gillman et al.  
6,860,190 B2 3/2005 Oversby et al.  
6,938,603 B2 9/2005 Scharp  
7,472,674 B2 1/2009 Robelet  
7,895,937 B2 3/2011 Frank et al.  
8,042,453 B2\* 10/2011 Azevedo ..... F16J 1/04  
92/160  
8,065,985 B2\* 11/2011 Schneider ..... F02F 3/003  
123/193.1  
8,336,446 B2 12/2012 Frank et al.  
8,807,109 B2\* 8/2014 Muscas ..... F02F 3/003  
123/193.6  
D713,422 S \* 9/2014 Muscas ..... D15/5

8,863,718 B2\* 10/2014 Rebello ..... F02F 3/003  
123/193.6  
2004/0250779 A1\* 12/2004 Scharp ..... F02F 3/22  
123/41.39  
2010/0108000 A1\* 5/2010 Scharp ..... B23P 15/10  
123/41.35  
2010/0258064 A1\* 10/2010 Rebello ..... F02F 3/22  
123/41.35  
2011/0100317 A1\* 5/2011 He ..... F02F 3/003  
123/193.6  
2011/0107997 A1\* 5/2011 Muscas ..... F02F 3/003  
123/193.6  
2012/0037111 A1\* 2/2012 Scharp ..... B23K 20/129  
123/193.6  
2012/0222632 A1\* 9/2012 Scharp ..... F02F 3/003  
123/41.37  
2012/0304956 A1\* 12/2012 Wang ..... F02F 3/003  
123/193.6  
2013/0008307 A1 1/2013 Will et al.  
2013/0008395 A1\* 1/2013 Keller ..... F02F 3/22  
123/41.39

(Continued)

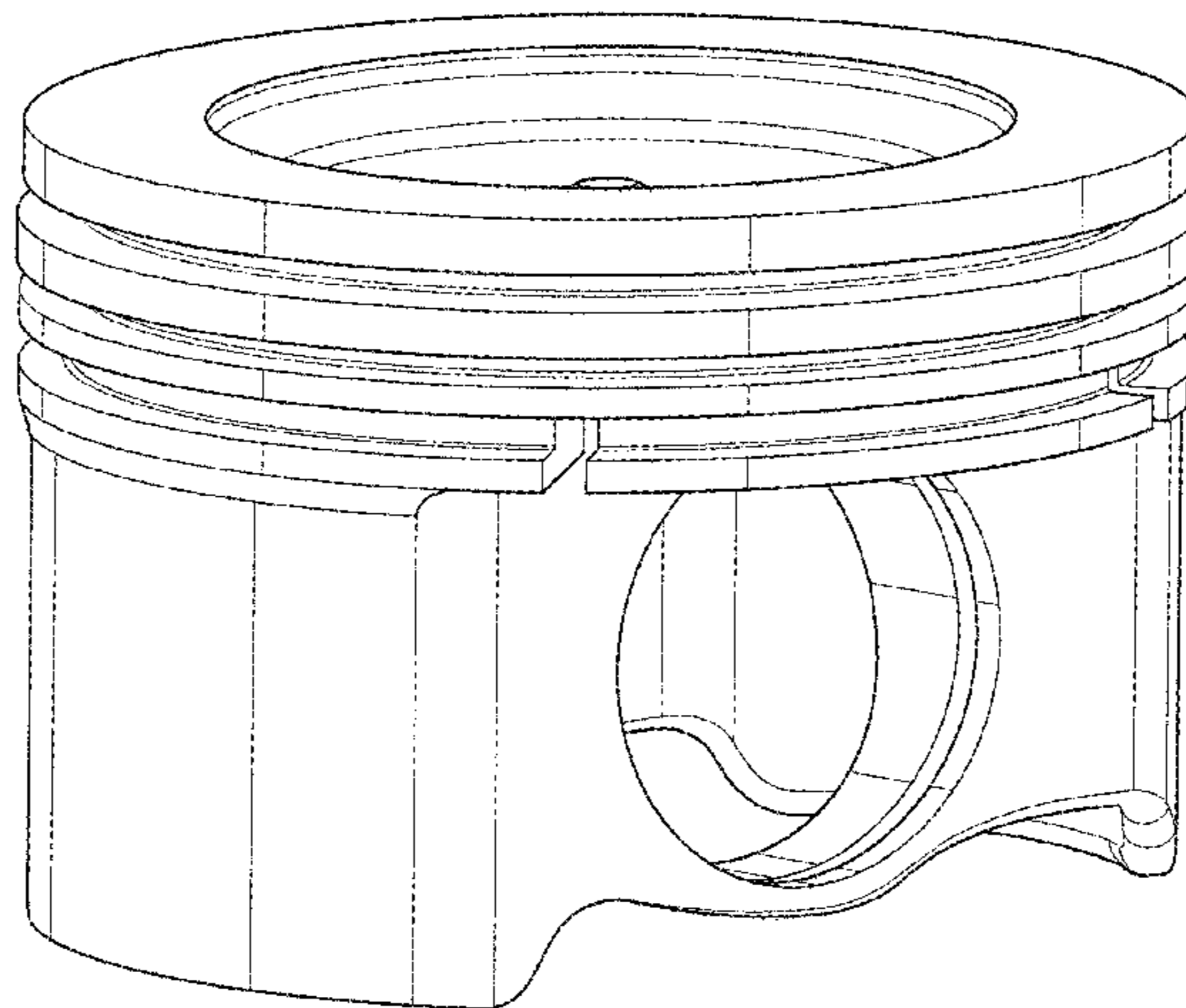
*Primary Examiner* — T. Chase Nelson  
*Assistant Examiner* — Ania Aman  
(74) *Attorney, Agent, or Firm* — Robert L. Stearns;  
Dickinson Wright PLLC

(57) **CLAIM**  
We claim the ornamental design for a piston, as shown and described.

**DESCRIPTION**

FIG. 1 is a perspective view of the piston;  
FIG. 2 is a top view of the piston;  
FIG. 3 is a side view of the piston;  
FIG. 4 is cross-sectional view of the piston taken along line 4-4 of FIG. 5;  
FIG. 5 is a side view of the piston rotated 90 degrees from FIG. 3;  
FIG. 6 is cross-sectional view of the piston taken along line 6-6 of FIG. 3;  
FIG. 7 is a bottom view of the piston; and,  
FIG. 8 is a bottom perspective view of the piston.

**1 Claim, 5 Drawing Sheets**



(56)

**References Cited**

U.S. PATENT DOCUMENTS

2013/0008407	A1 *	1/2013	Issler .....	F02F 3/00 123/193.6	2014/0197142	A1 *	7/2014	Wilder .....	B23K 26/0823 219/121.64
2013/0014724	A1 *	1/2013	Bischofberger .....	B23K 26/18 123/193.6	2014/0230775	A1 *	8/2014	Bischofberger ....	F02B 23/0603 123/193.6
2013/0118438	A1	5/2013	Lineton		2015/0090215	A1 *	4/2015	Boczek .....	F02F 3/18 123/193.6
2013/0133609	A1 *	5/2013	Matsuo .....	F02F 3/10 123/193.6	2015/0096524	A1 *	4/2015	Bischofberger .....	F02F 3/00 123/193.6
2013/0174728	A1 *	7/2013	Azevedo .....	F16J 7/00 92/187	2015/0122212	A1 *	5/2015	Riffe .....	F02F 3/00 123/193.4
2013/0180494	A1 *	7/2013	Aharonov .....	F02F 3/10 123/193.6	2016/0061142	A1 *	3/2016	Roelofs .....	B23K 13/015 92/260
2013/0233270	A1	9/2013	Brandt et al.		2016/0115899	A1 *	4/2016	Riffe .....	F02F 3/0084 123/193.6
2013/0312695	A1 *	11/2013	Bischofberger .....	F02F 3/18 123/193.6	2016/0115901	A1 *	4/2016	Scharp .....	F02F 3/22 123/41.39

\* cited by examiner

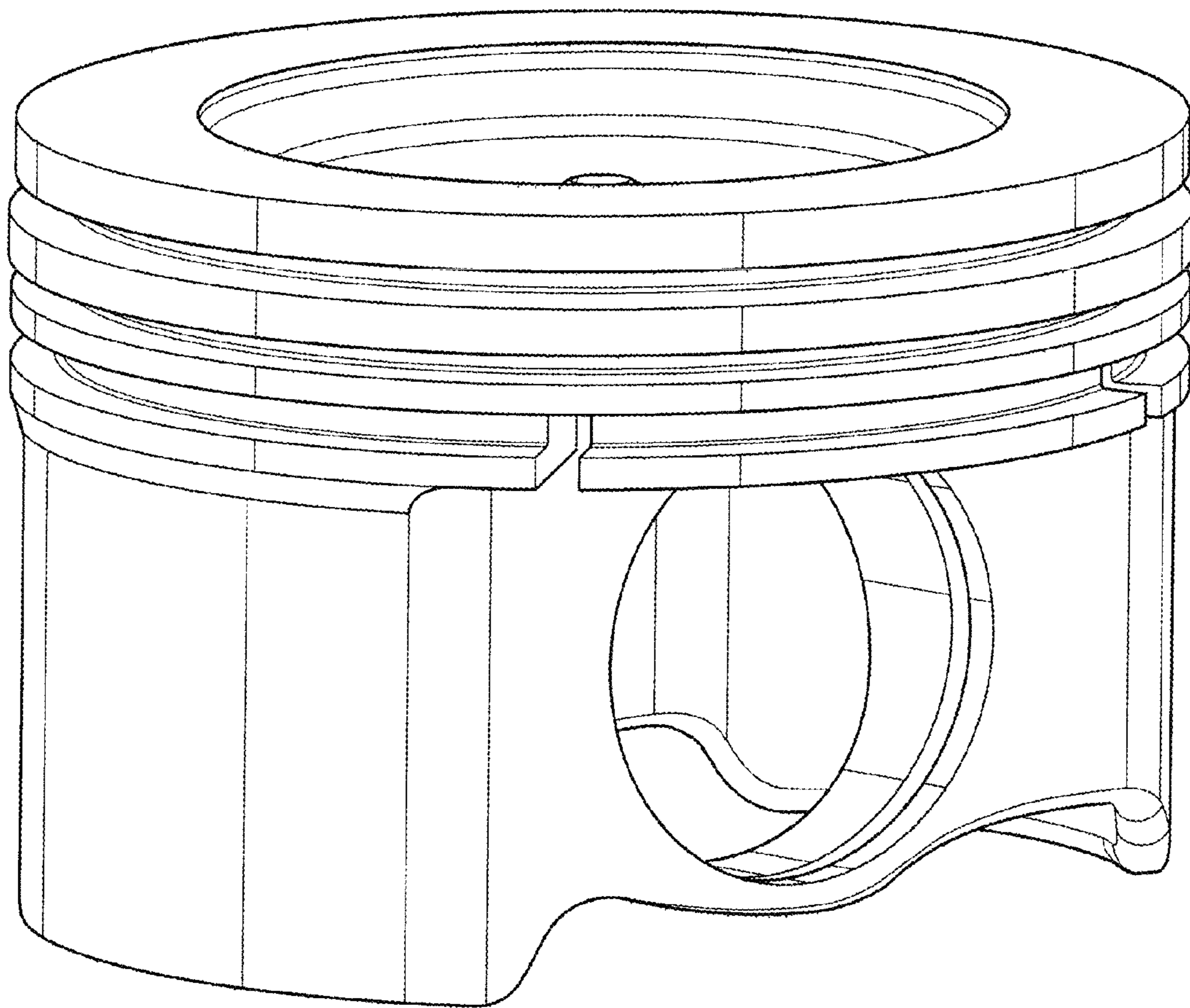
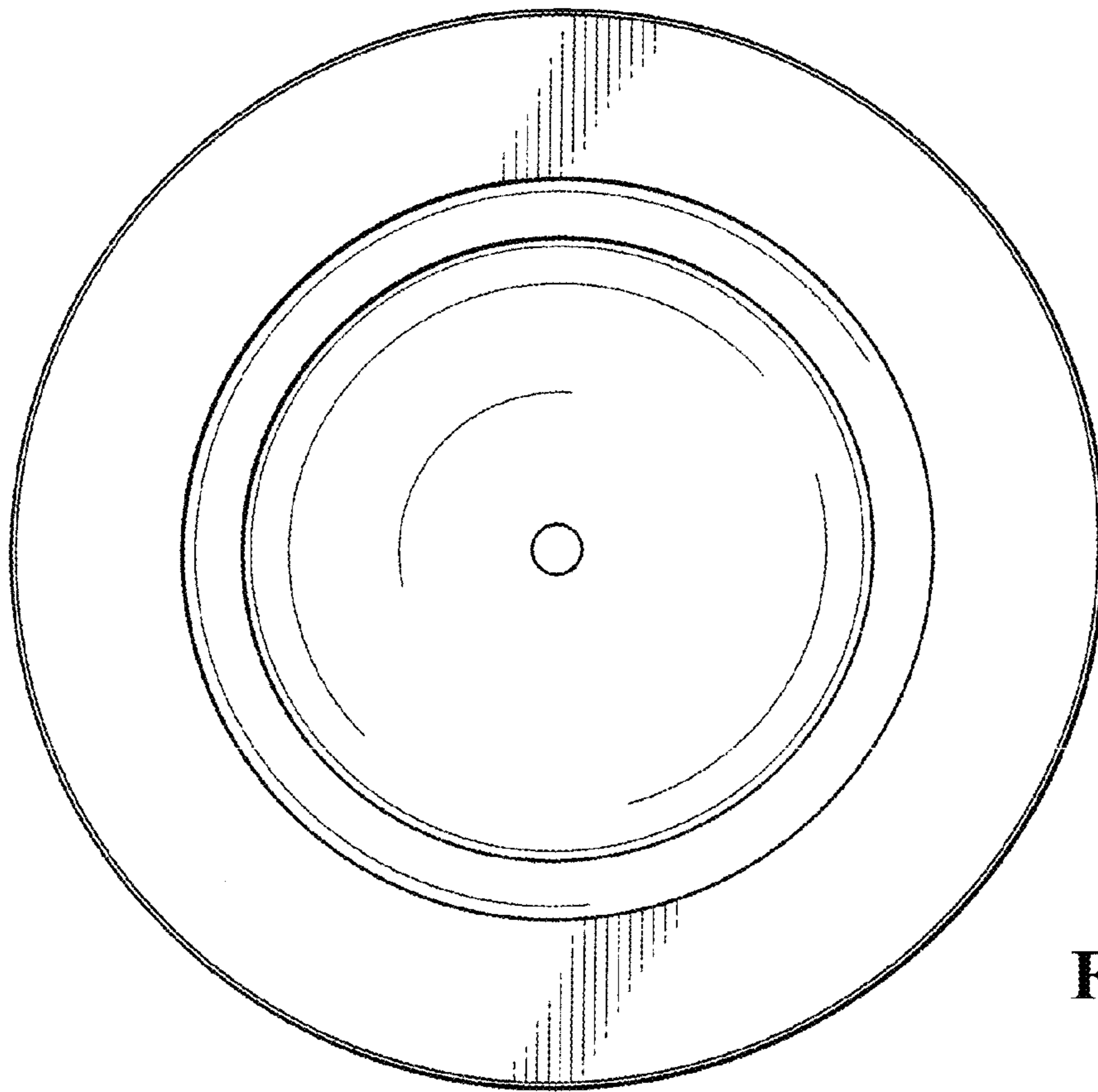
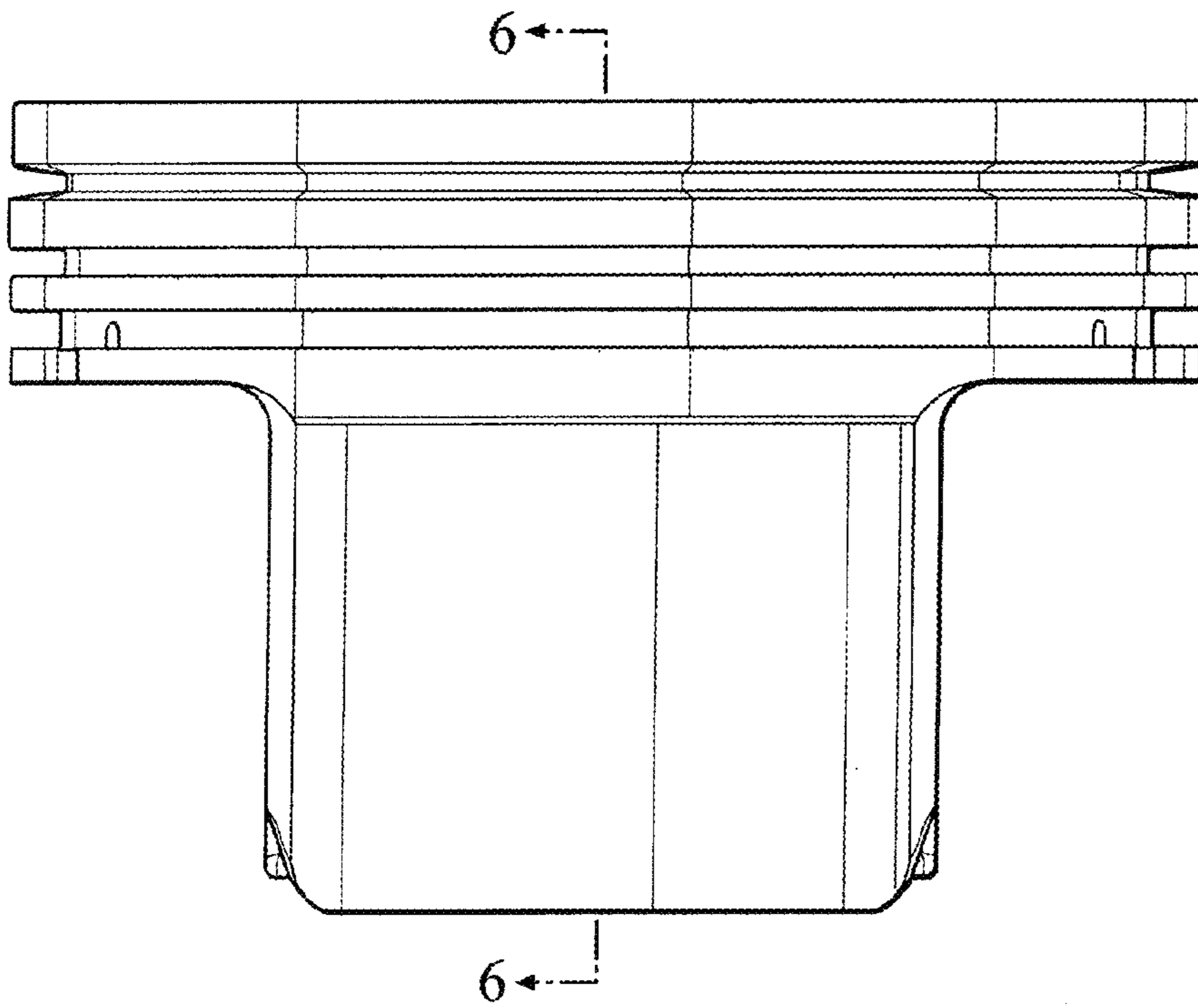


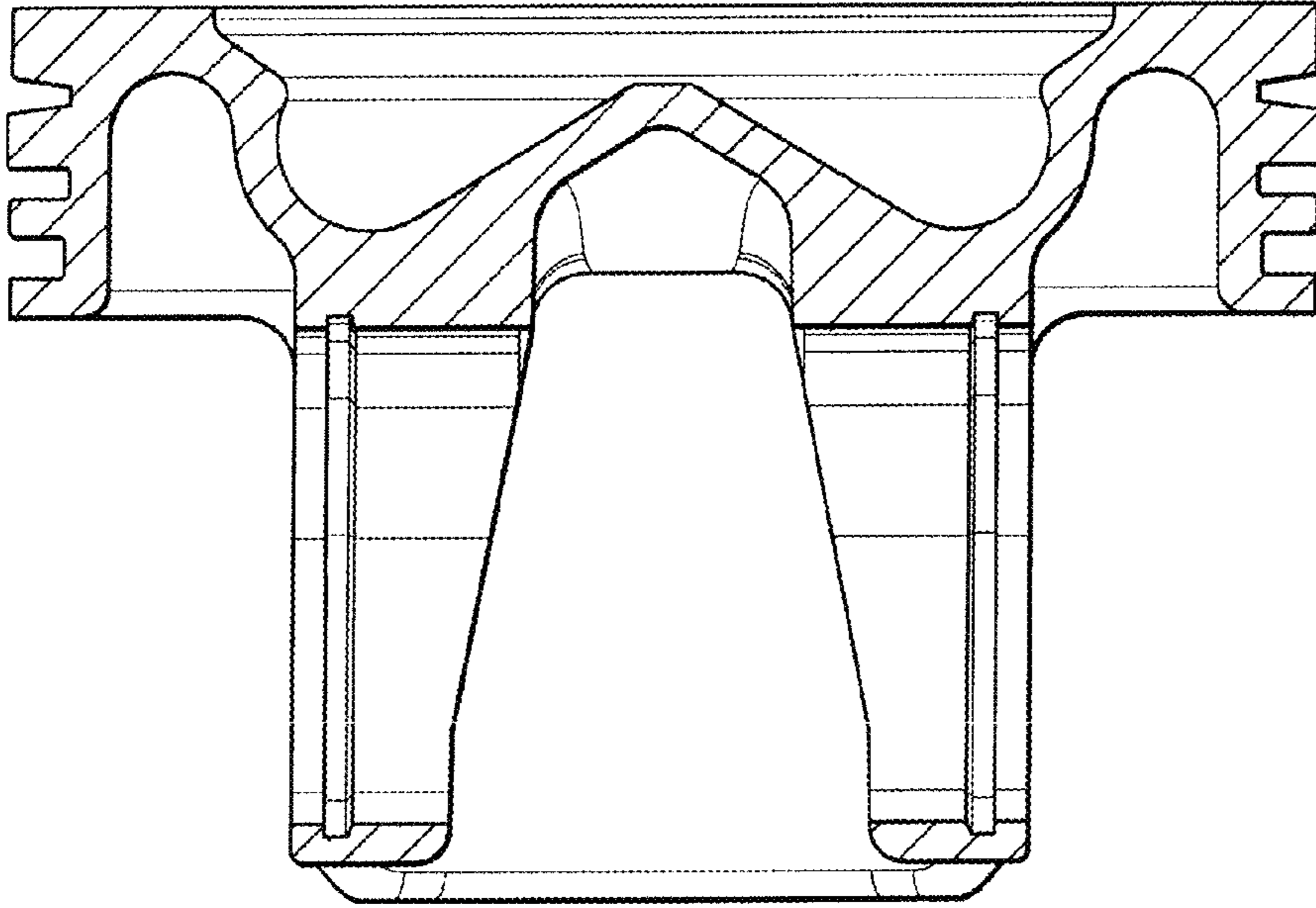
FIG. 1



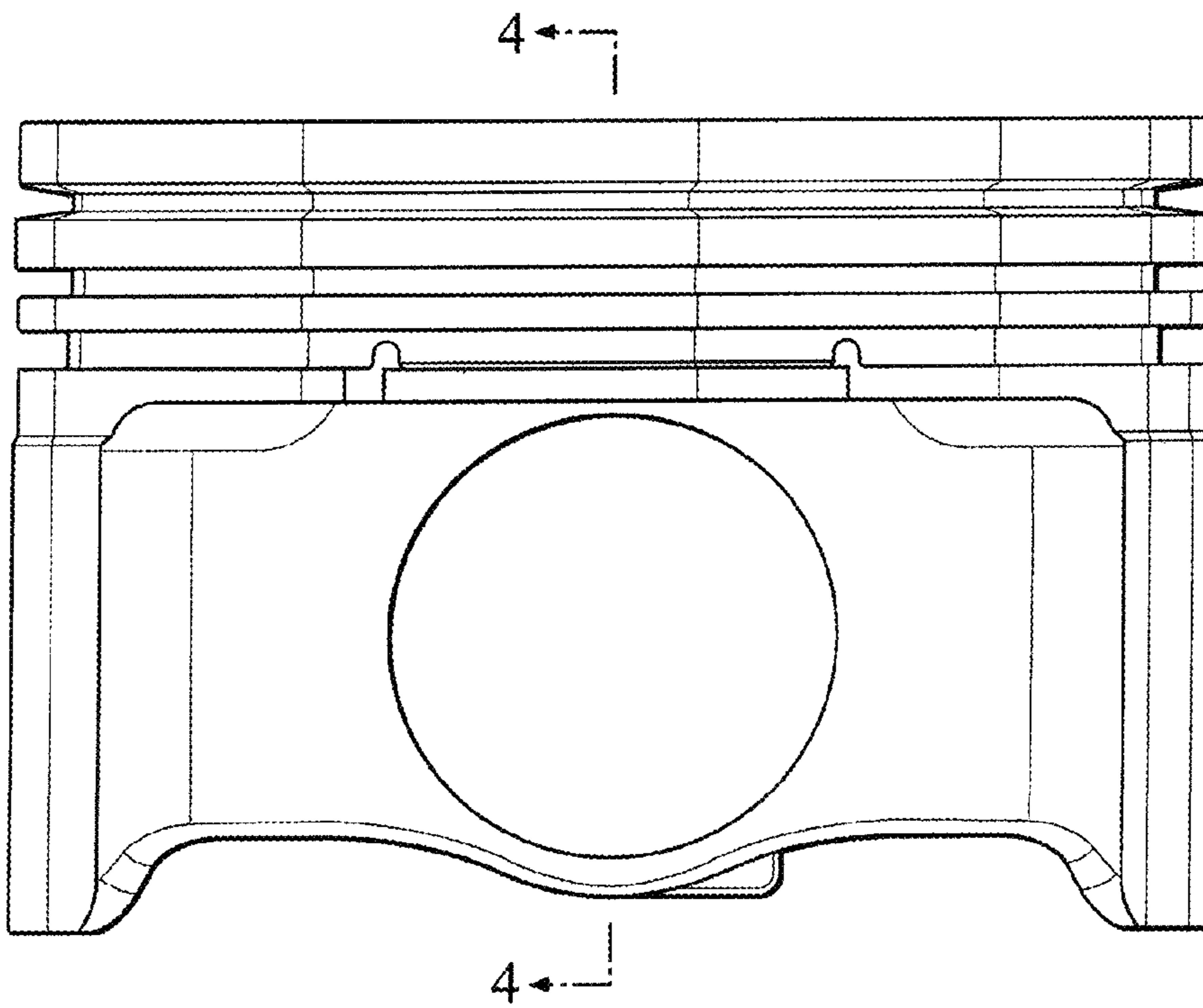
**FIG. 2**



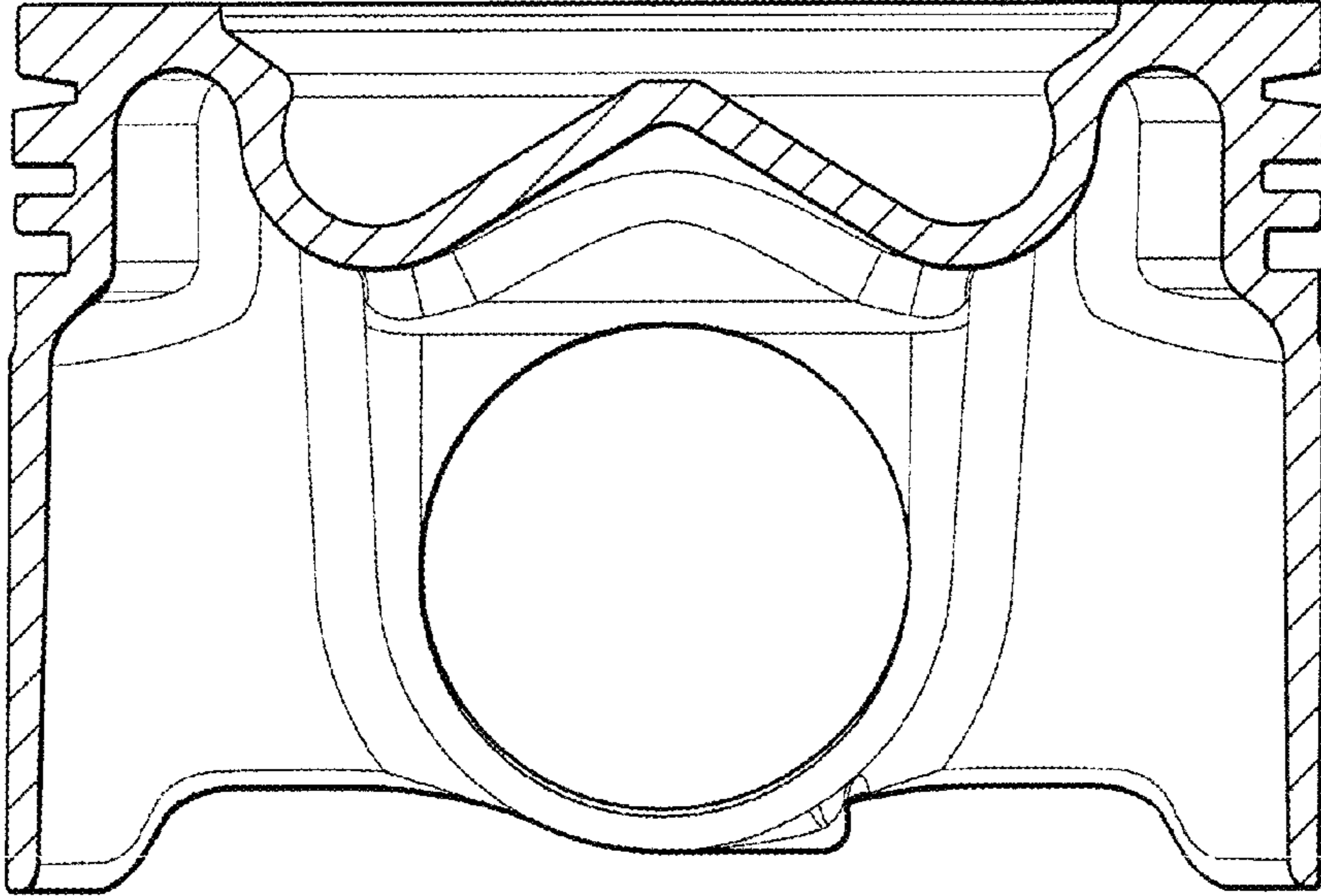
**FIG. 3**



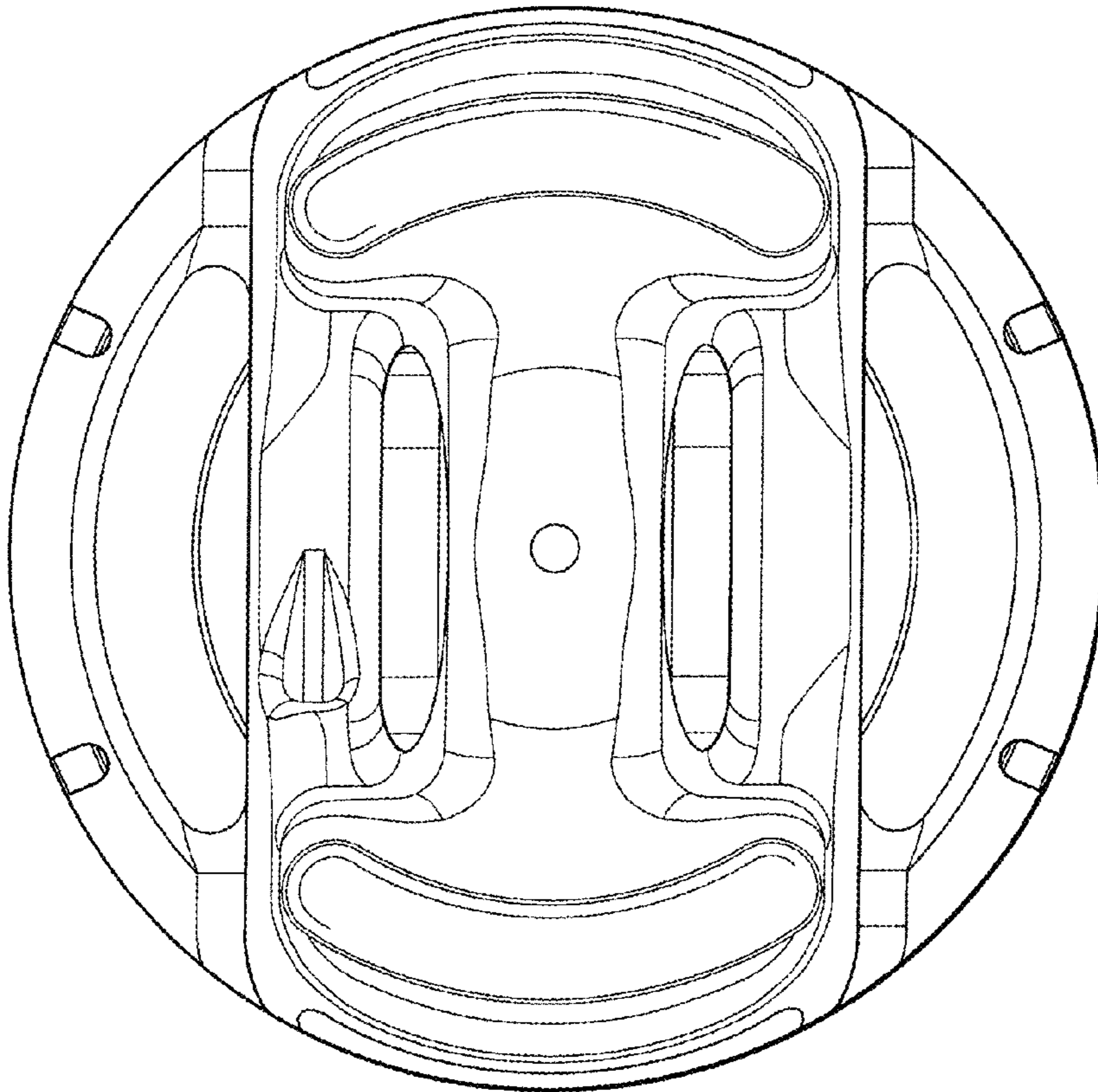
**FIG. 4**



**FIG. 5**



**FIG. 6**



**FIG. 7**

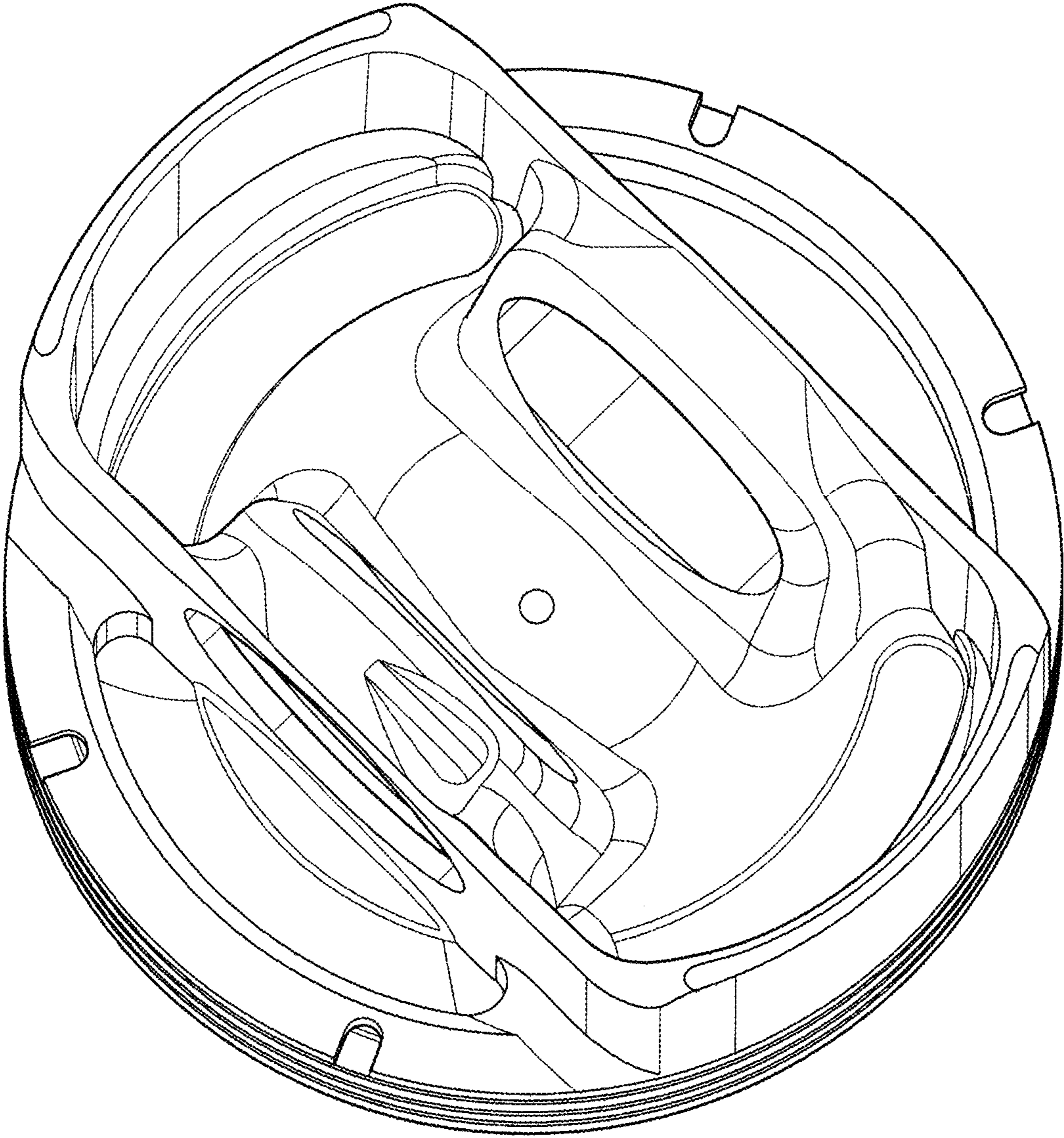


FIG. 8