



US00D768191S

(12) **United States Design Patent** (10) **Patent No.:** **US D768,191 S**
Do et al. (45) **Date of Patent:** **** Oct. 4, 2016**

(54) **DISPLAY SCREEN OR PORTION THEREOF WITH ICON**

(71) Applicant: **Samsung Electronics Co., Ltd.**, Suwon-si (KR)

(72) Inventors: **Kyoung-Sub Do**, Seoul (KR); **Seo-Gyun Kim**, Suwon-si (KR); **Sung-Su Park**, Seoul (KR)

(73) Assignee: **Samsung Electronics Co., Ltd.**, Suwon-si (KR)

(**) Term: **14 Years**

(21) Appl. No.: **29/509,970**

(22) Filed: **Nov. 24, 2014**

(30) **Foreign Application Priority Data**

Jun. 5, 2014 (KR) 30-2014-0027686

(51) **LOC (10) Cl.** **14-04**

(52) **U.S. Cl.**
USPC **D14/489**

(58) **Field of Classification Search**
USPC D14/485-495; 715/763, 834, 830
CPC G06F 3/0488; G06F 3/04845; G06F 3/04847; G06F 3/04842; G06F 3/0236; G06F 3/04886; G06T 11/206
See application file for complete search history.

(56) **References Cited**

U.S. PATENT DOCUMENTS

D396,455 S * 7/1998 Bier D14/489
6,144,378 A * 11/2000 Lee G06F 3/0236
715/767
D507,002 S * 7/2005 Retuta D14/486
D534,541 S * 1/2007 Retuta D14/486
D550,696 S * 9/2007 Kortum D14/491
D630,644 S * 1/2011 Wilson D14/486
8,375,329 B2 * 2/2013 Drayton G06F 3/0482
715/767

D684,177 S * 6/2013 Winther D14/486
D684,587 S * 6/2013 Plesnicher D14/486
D702,251 S * 4/2014 Kotler D14/487
D703,687 S * 4/2014 Nations D14/486
8,869,068 B2 * 10/2014 Primiani G06F 3/04886
715/810
8,907,952 B2 * 12/2014 Hautvast A61B 5/055
345/424
D726,741 S * 4/2015 Lee D14/485
9,021,397 B2 * 4/2015 Ramsay 715/762
D730,367 S * 5/2015 Ryan D14/485
D736,231 S * 8/2015 Gottschlag D14/486
D736,780 S * 8/2015 Wang D14/485
9,116,602 B2 * 8/2015 Kotler G06F 3/04812
D745,015 S * 12/2015 Wang D14/485
D749,606 S * 2/2016 Wang D14/486
D753,160 S * 4/2016 Lee D14/486
2008/0307369 A1 * 12/2008 Liu G06T 11/206
715/855
2013/0219340 A1 * 8/2013 Linge G06F 3/04883
715/834

* cited by examiner

Primary Examiner — Barbara Fox

Assistant Examiner — Kimberly Barnes

(74) *Attorney, Agent, or Firm* — NSIP Law

(57) **CLAIM**

We claim the ornamental design for a display screen or portion thereof with icon, as shown and described.

DESCRIPTION

FIG. 1 is a front view of a display screen or portion thereof with icon showing our new design; and, FIG. 2 is another front view thereof, in which a display screen in broken lines is provided to illustrate an example environment.

The broken lines in the figures show portions of the display screen or portion thereof with icon which form no part of the claimed design.

The dot-dash lines in the figures represent a boundary line which forms no part of the claimed design.

1 Claim, 2 Drawing Sheets

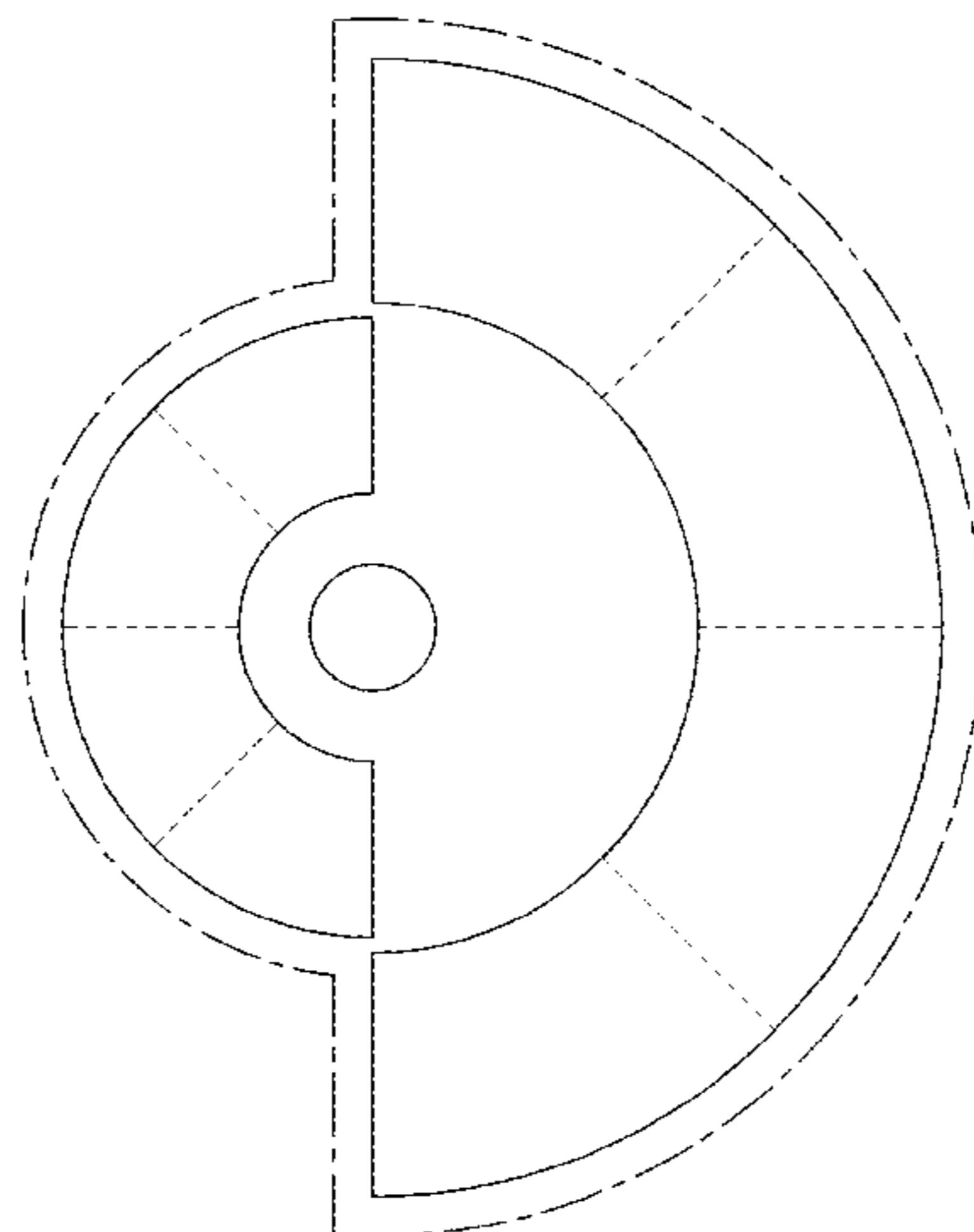


FIG. 1

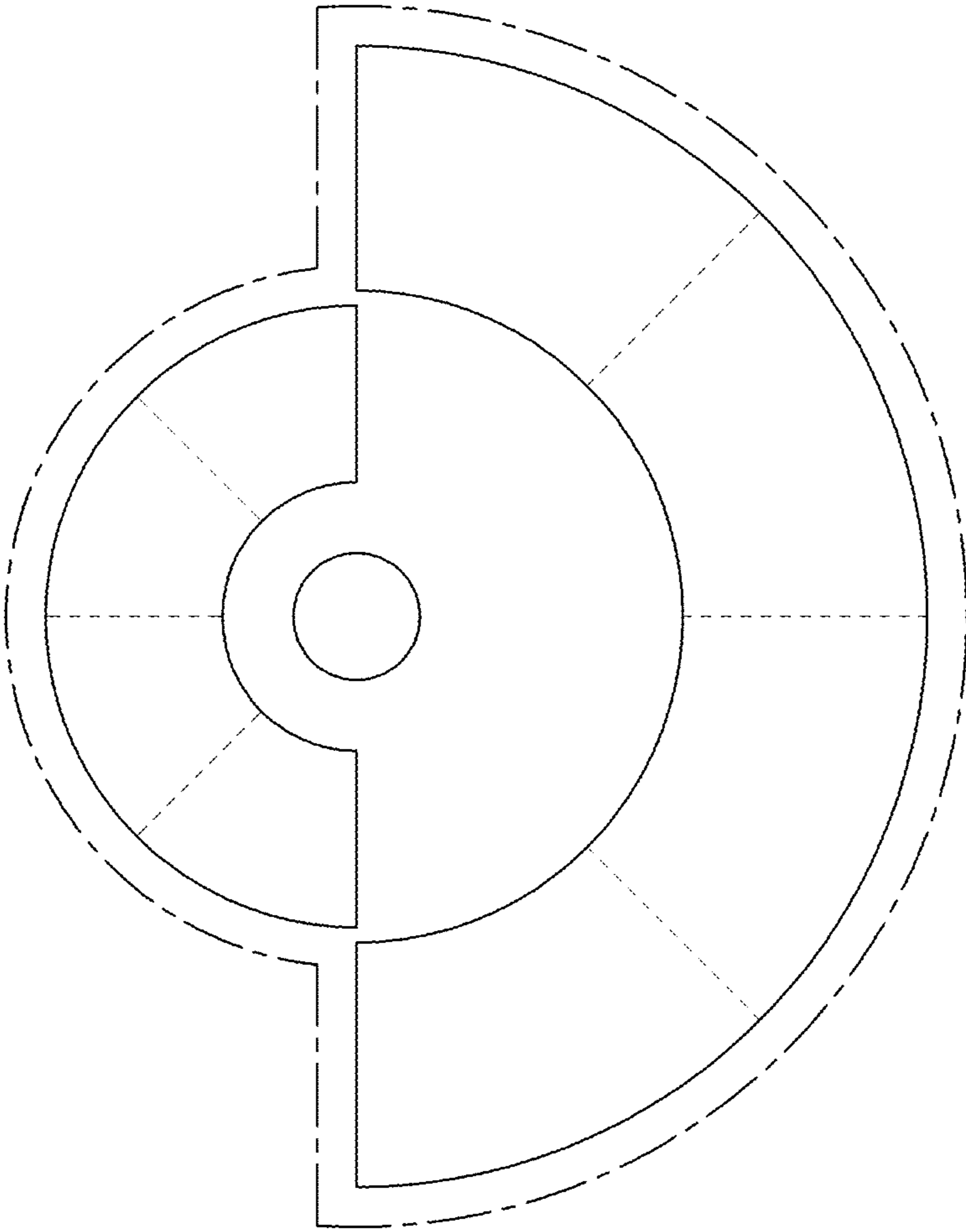


FIG. 2

