

US00D768149S

(12) **United States Design Patent** (10) **Patent No.:** **US D768,149 S**
Engstrand et al. (45) **Date of Patent:** **** Oct. 4, 2016**

(54) **DISPLAY SCREEN WITH ANIMATED GRAPHICAL USER INTERFACE**

D693,365 S * 11/2013 Gardner D14/489
D695,782 S * 12/2013 Gardner D14/489
D697,072 S * 1/2014 Ouilhet D14/485
D697,523 S * 1/2014 Oda D14/486

(71) Applicant: **Microsoft Corporation**, Redmond, WA (US)

(Continued)

(72) Inventors: **Jakob Engstrand**, New York, NY (US); **Mete Atamel**, London (GB); **Jimmy Enrico Jacques Holzer**, Redwood City, CA (US); **Simone Ferraro**, San Francisco, CA (US); **Maciek Janicki**, London (GB)

OTHER PUBLICATIONS

Simplius Pack [online]. Iconfinder, Mar. 16, 2014 [retrieved on Mar. 30, 2016]. Retrieved from the Internet:< <https://www.iconfinder.com/iconsets/simplius-pack>>.*

(Continued)

(73) Assignee: **Microsoft Corporation**, Redmond, WA (US)

Primary Examiner — Eric Goodman

Assistant Examiner — Sloan Rozin

(**) Term: **14 Years**

(74) *Attorney, Agent, or Firm* — Banner & Witcoff, Ltd.

(21) Appl. No.: **29/522,581**

(57) **CLAIM**

The ornamental design for a display screen with animated graphical user interface, as shown and described.

(22) Filed: **Mar. 31, 2015**

(51) **LOC (10) Cl.** **14-04**

(52) **U.S. Cl.** **D14/485**
USPC

(58) **Field of Classification Search**
USPC D14/485-495
CPC G06F 3/04817; G06F 3/0482; G06F 3/0481; G06T 13/00; G06T 15/02; H04N 1/00424

See application file for complete search history.

DESCRIPTION

FIG. 1 is the first image in a sequence for a display screen with animated graphical user interface showing the new design;

FIG. 2 is the second image thereof;

FIG. 3 is the third image thereof;

FIG. 4 is the fourth image thereof;

FIG. 5 is the fifth image thereof;

FIG. 6 is the sixth image thereof;

FIG. 7 is the seventh image thereof;

FIG. 8 is the eighth image thereof; and,

FIG. 9 is the ninth image thereof.

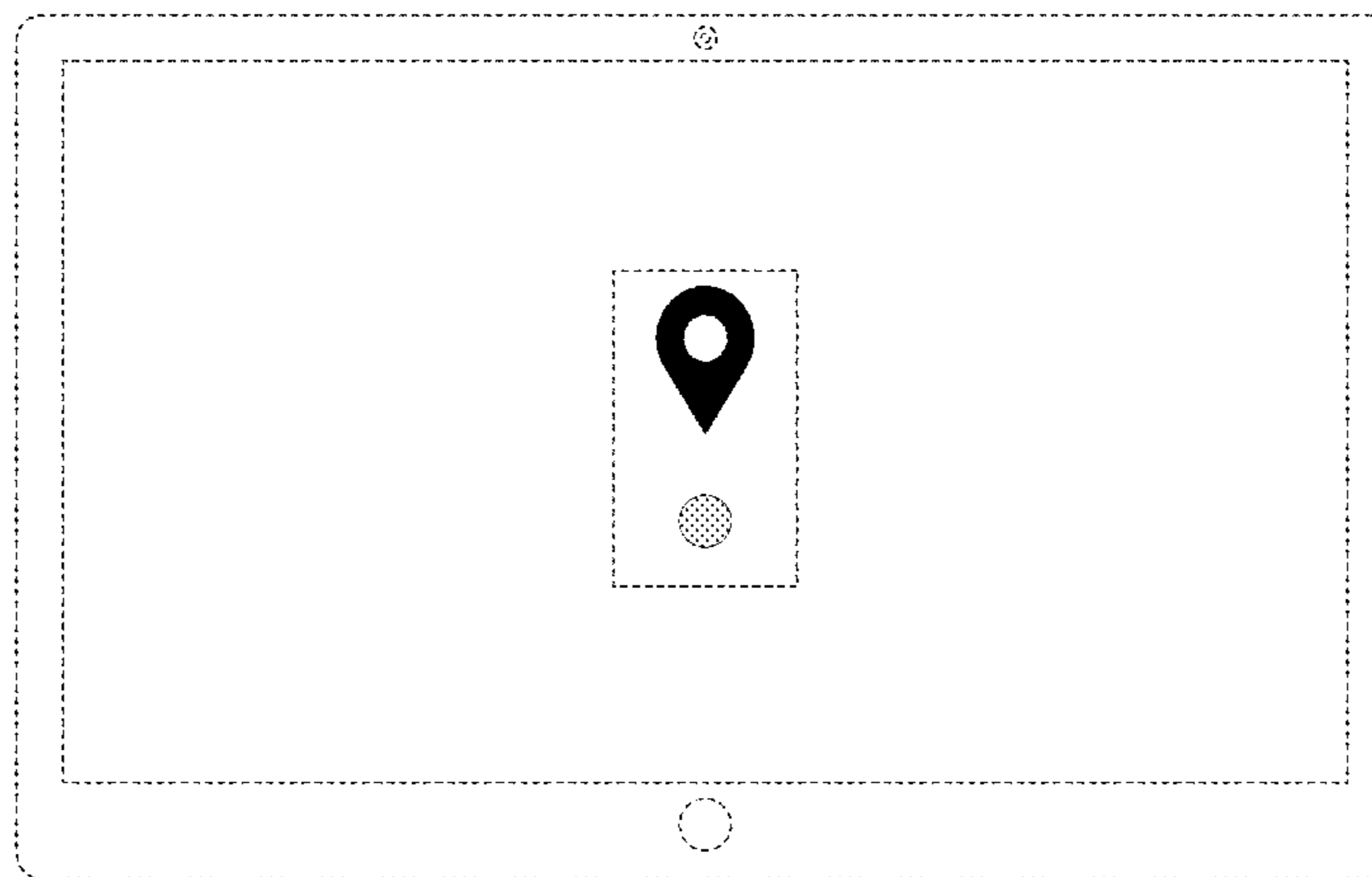
The appearance of the animated graphical user interface sequentially transitions between the images shown in FIGS. 1-9. The process or period in which one image transitions to another forms no part of the claimed design. The broken line showing of the remainder of the display screen and the device is for environmental purposes only and forms no part of the claimed design.

(56) **References Cited**

U.S. PATENT DOCUMENTS

D627,360 S * 11/2010 Aarseth D14/485
D645,052 S * 9/2011 Rasmussen D14/489
D650,793 S * 12/2011 Impas D14/489
D651,612 S * 1/2012 Impas D14/489
D652,053 S * 1/2012 Impas D14/489
D661,704 S * 6/2012 Rasmussen D14/489
D673,580 S * 1/2013 Doerr D14/489
D686,638 S * 7/2013 Gardner D14/489
D687,062 S * 7/2013 Gardner D14/489
D689,091 S * 9/2013 Impas D14/489
D691,632 S * 10/2013 Impas D14/489

1 Claim, 9 Drawing Sheets



(56)

References Cited

U.S. PATENT DOCUMENTS

D737,325	S *	8/2015	Kim	D14/489
D739,436	S *	9/2015	Kadosh	D14/492
D745,046	S *	12/2015	Shin	D14/489
D745,559	S *	12/2015	Sanderson	D14/492
D745,895	S *	12/2015	Clare	D14/495
D746,295	S *	12/2015	Arai	D14/485
D748,101	S *	1/2016	Bang	D14/485
D749,096	S *	2/2016	Zhu	D14/485
D750,110	S *	2/2016	Amin	D14/486
9,298,347	B2 *	3/2016	Roh	G06F 3/04817
2007/0288477	A1 *	12/2007	Rekimoto	G06F 17/30884
2009/0251410	A1 *	10/2009	Mori	G06F 3/04812 345/157
2011/0015798	A1 *	1/2011	Golden	G06Q 10/06 700/291
2011/0265023	A1 *	10/2011	Loomis	G06F 3/04812 715/771

OTHER PUBLICATIONS

Glypho—Travel [online]. Iconfinder, Oct. 18, 2014 [retrieved on Mar. 30, 2016]. Retrieved from the Internet:< <https://www.iconfinder.com/iconsets/glypho-travel>>.*

Pin [online]. dribbble.com, Dec. 12, 2012 [retrieved on Mar. 30, 2016]. Retrieved from the Internet:< <https://dribbble.com/shots/855115-Pin> >.*

Map Pin [online]. dribbble.com, Dec. 19, 2012 [retrieved on Mar. 30, 2016]. Retrieved from the Internet:< <https://dribbble.com/shots/864724-Map-Pin>>.*

* cited by examiner

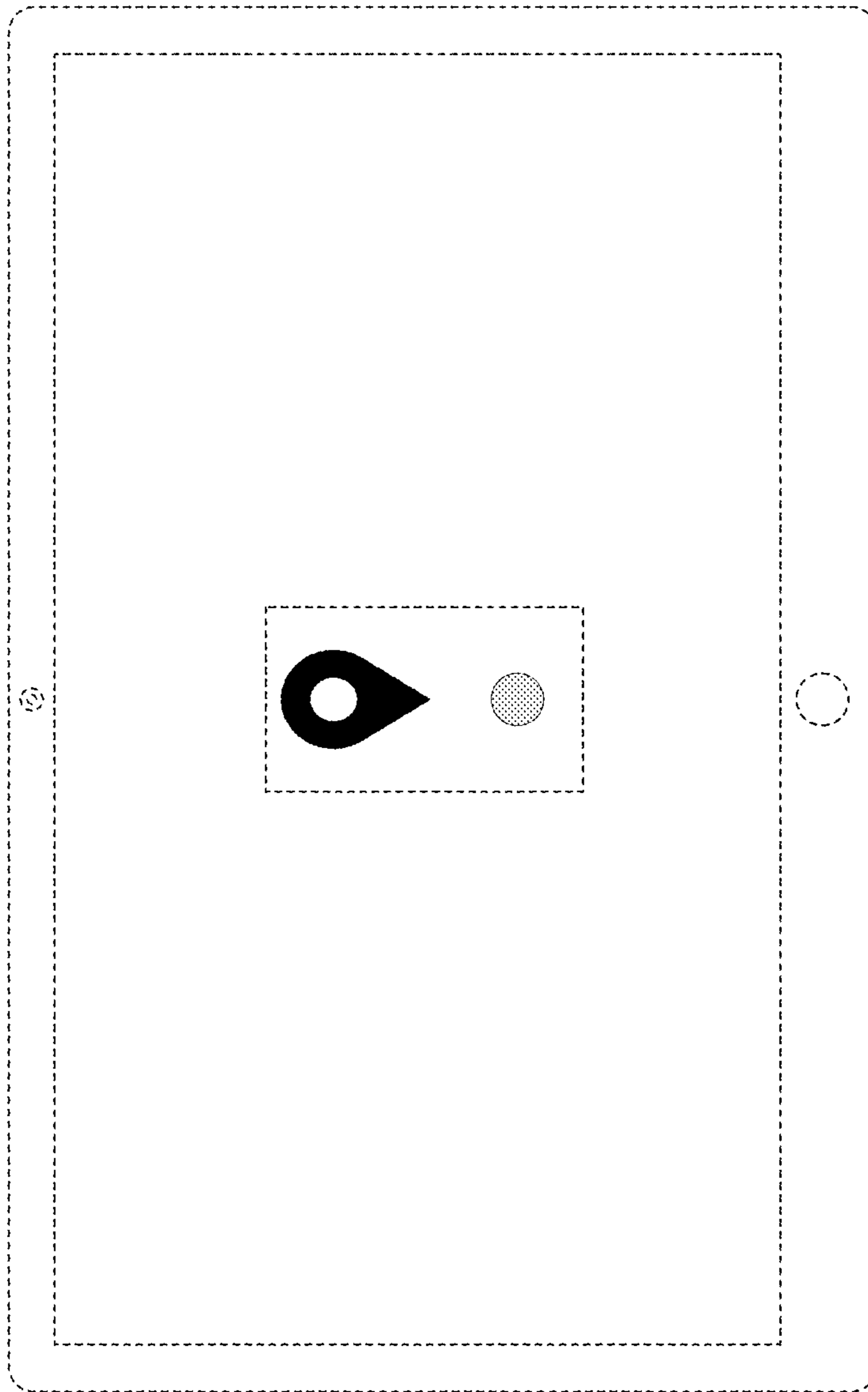


FIG. 1

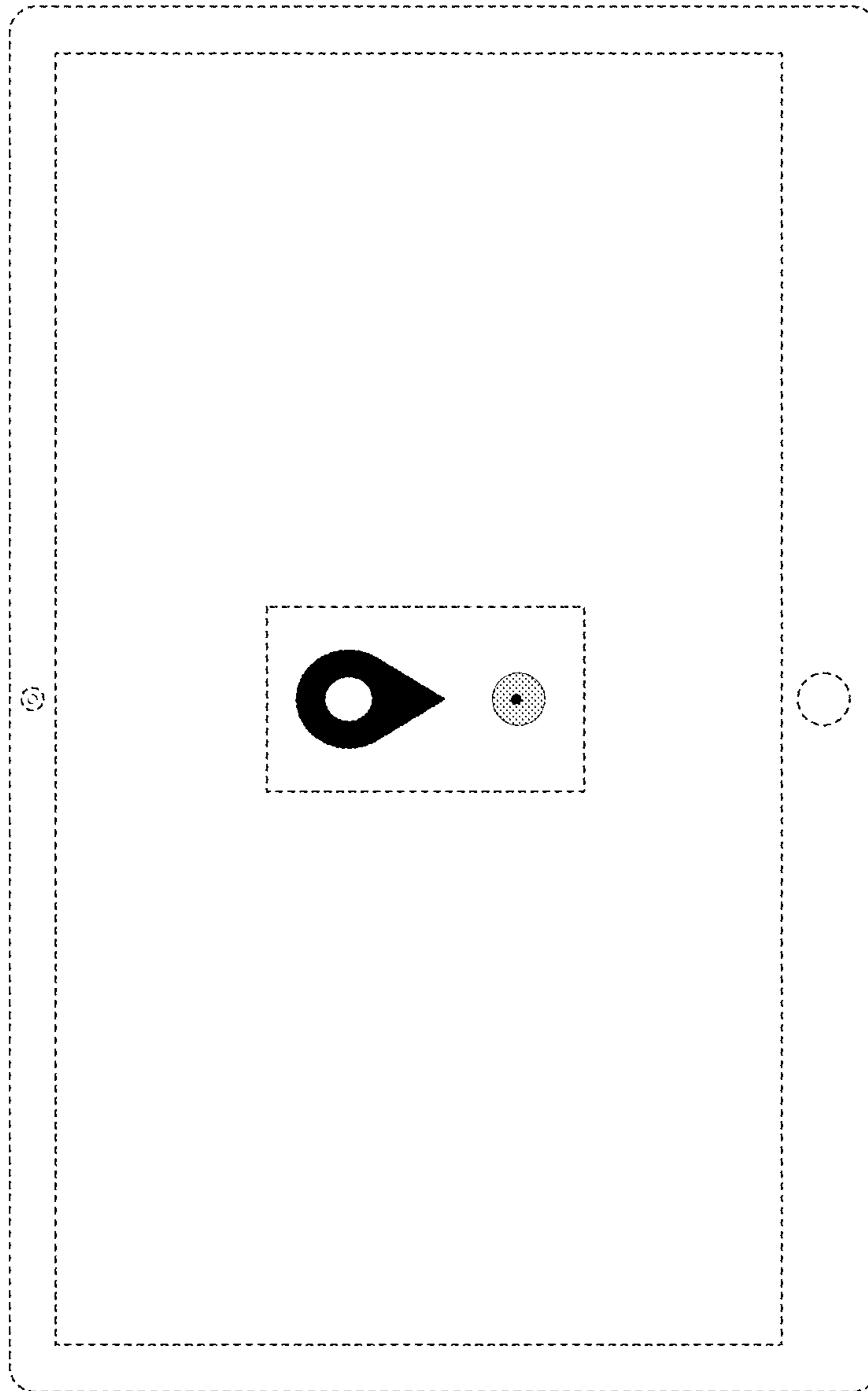


FIG. 2

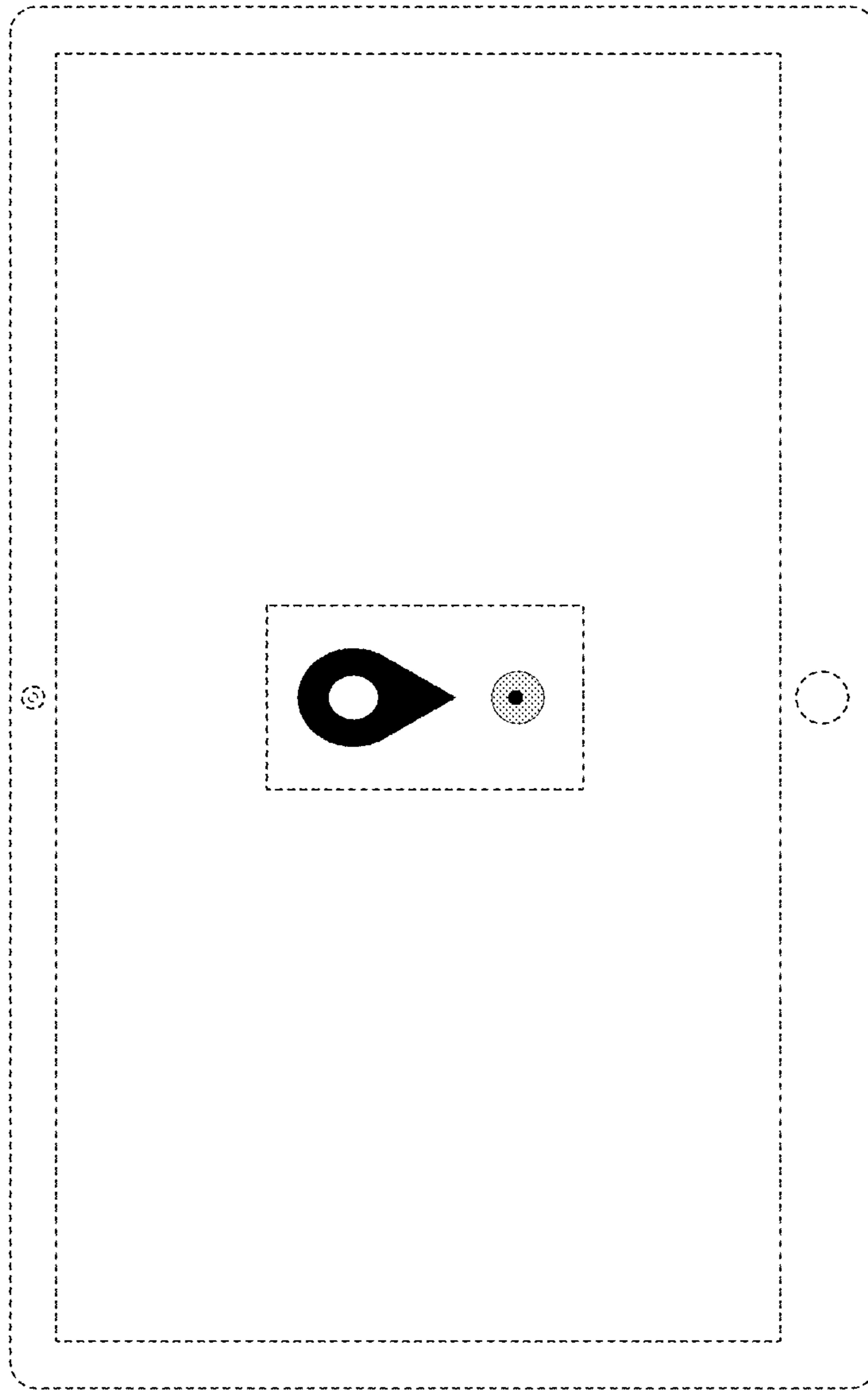


FIG. 3

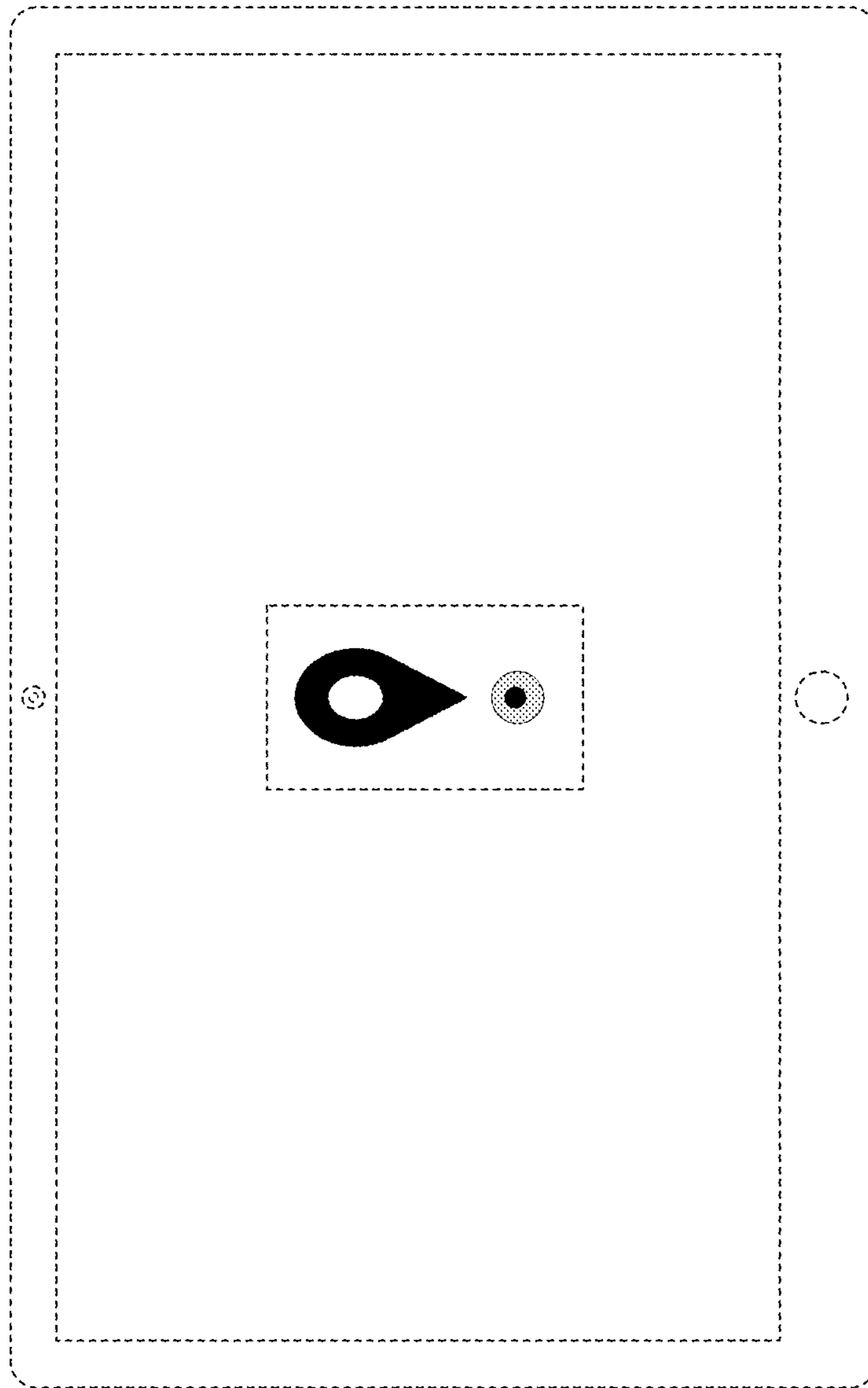


FIG. 4

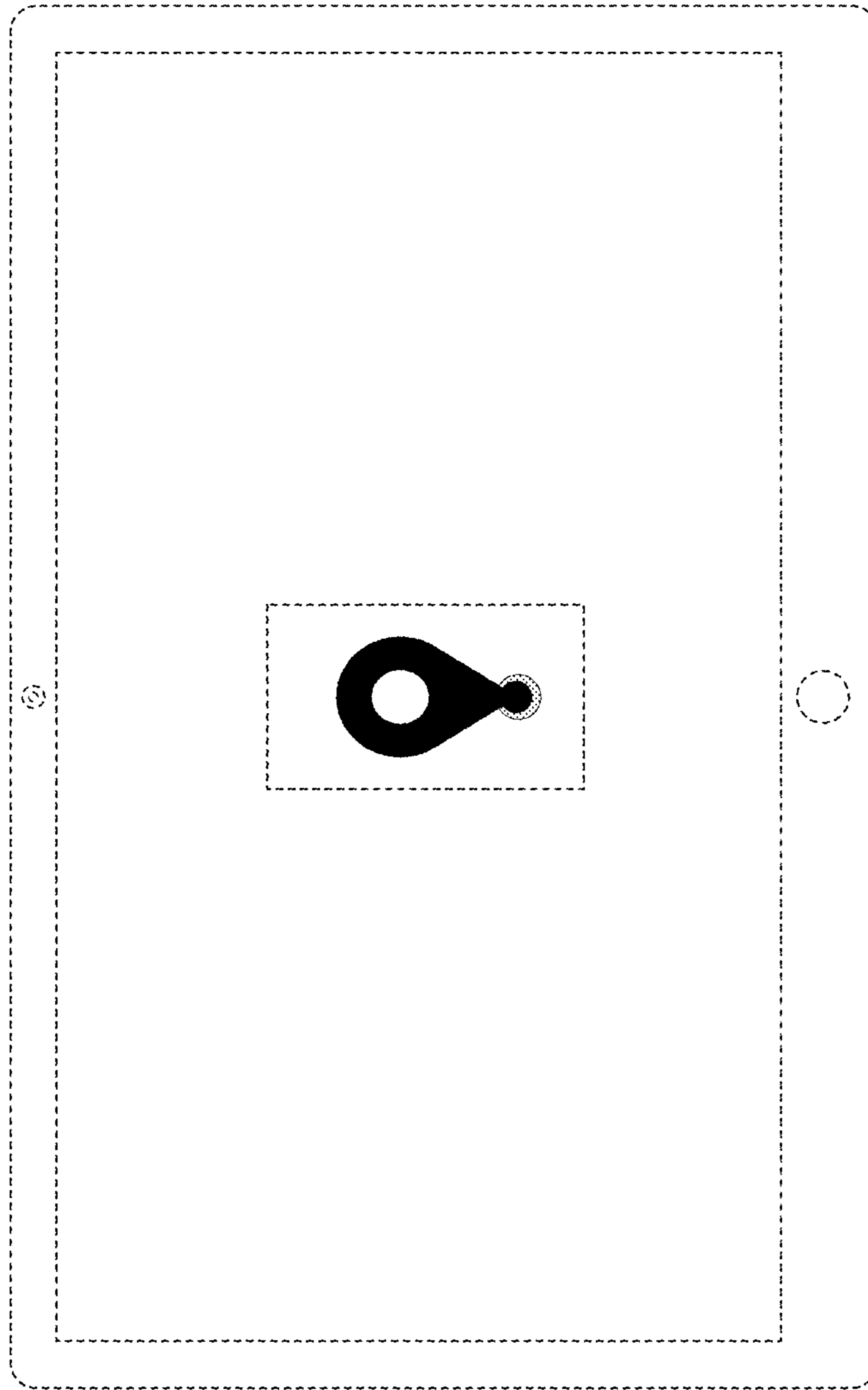


FIG. 5

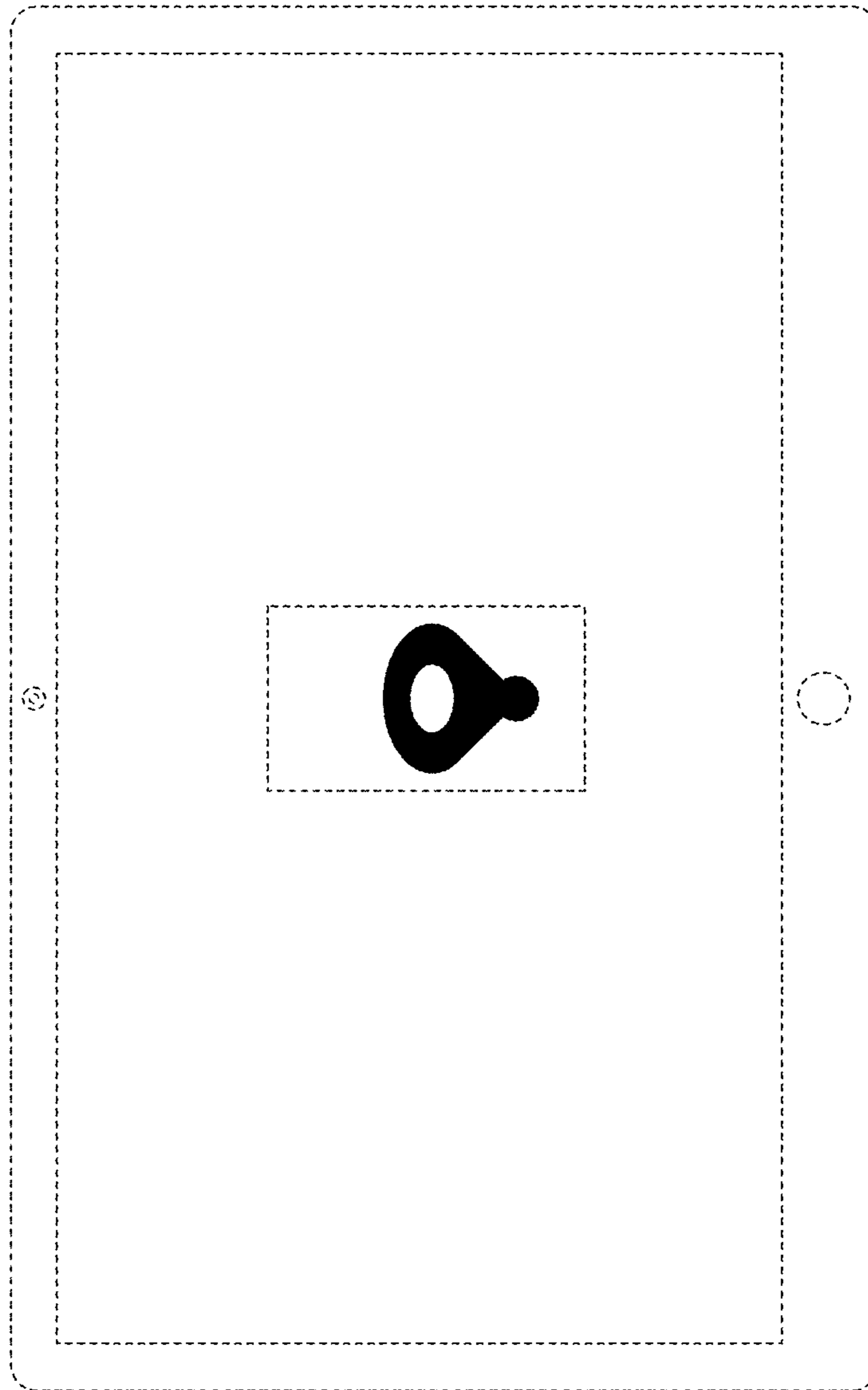


FIG. 6

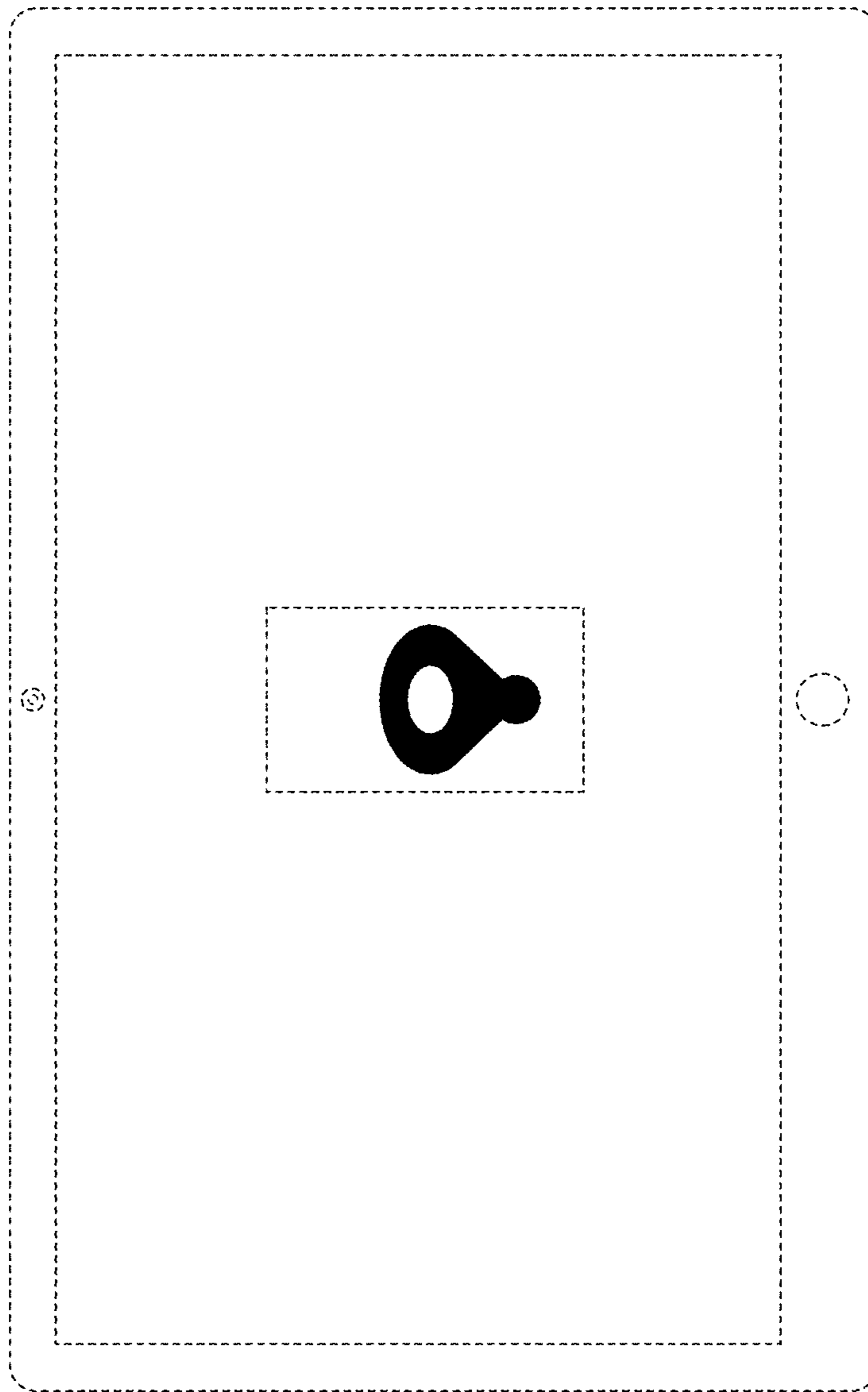


FIG. 7

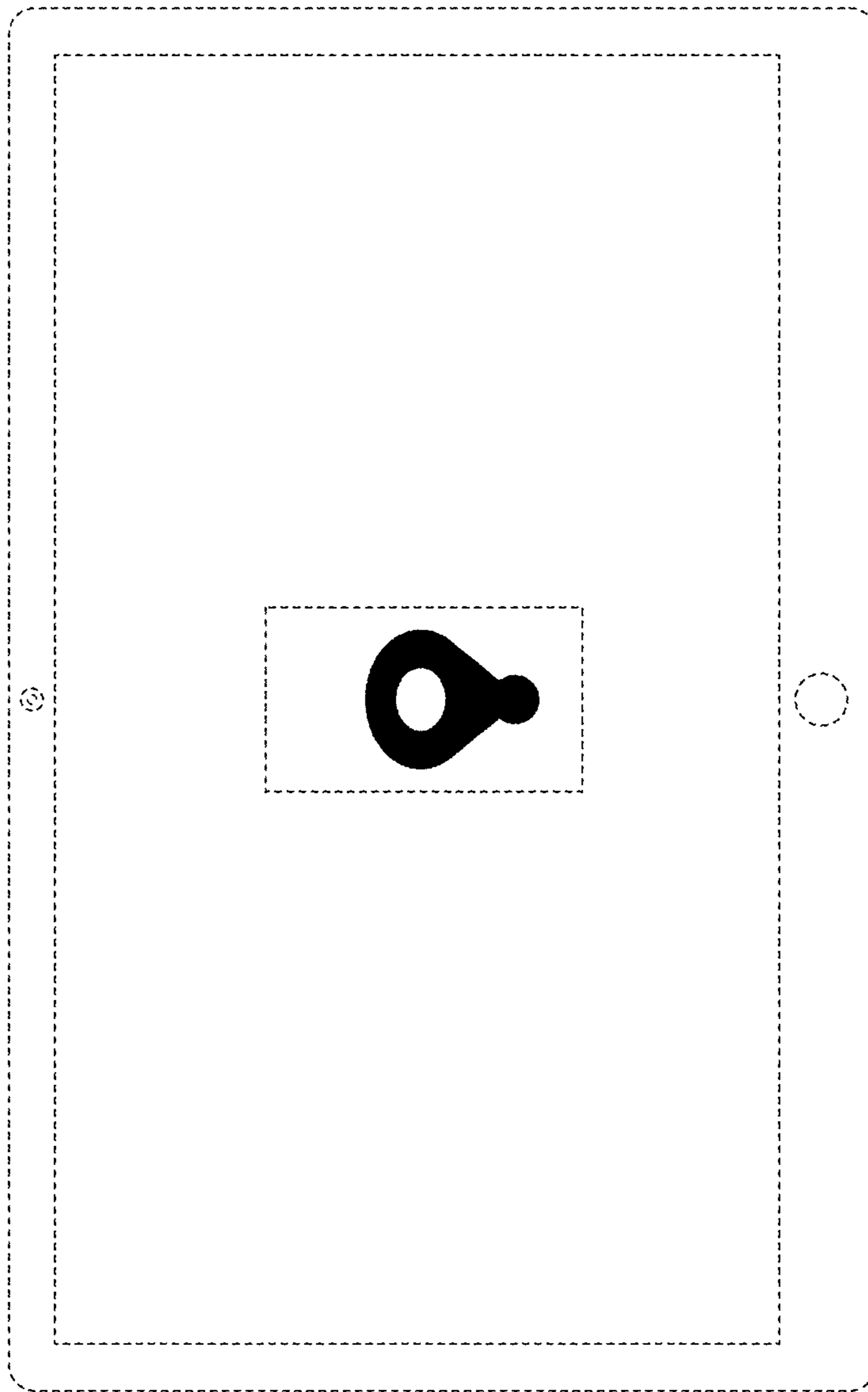


FIG. 8

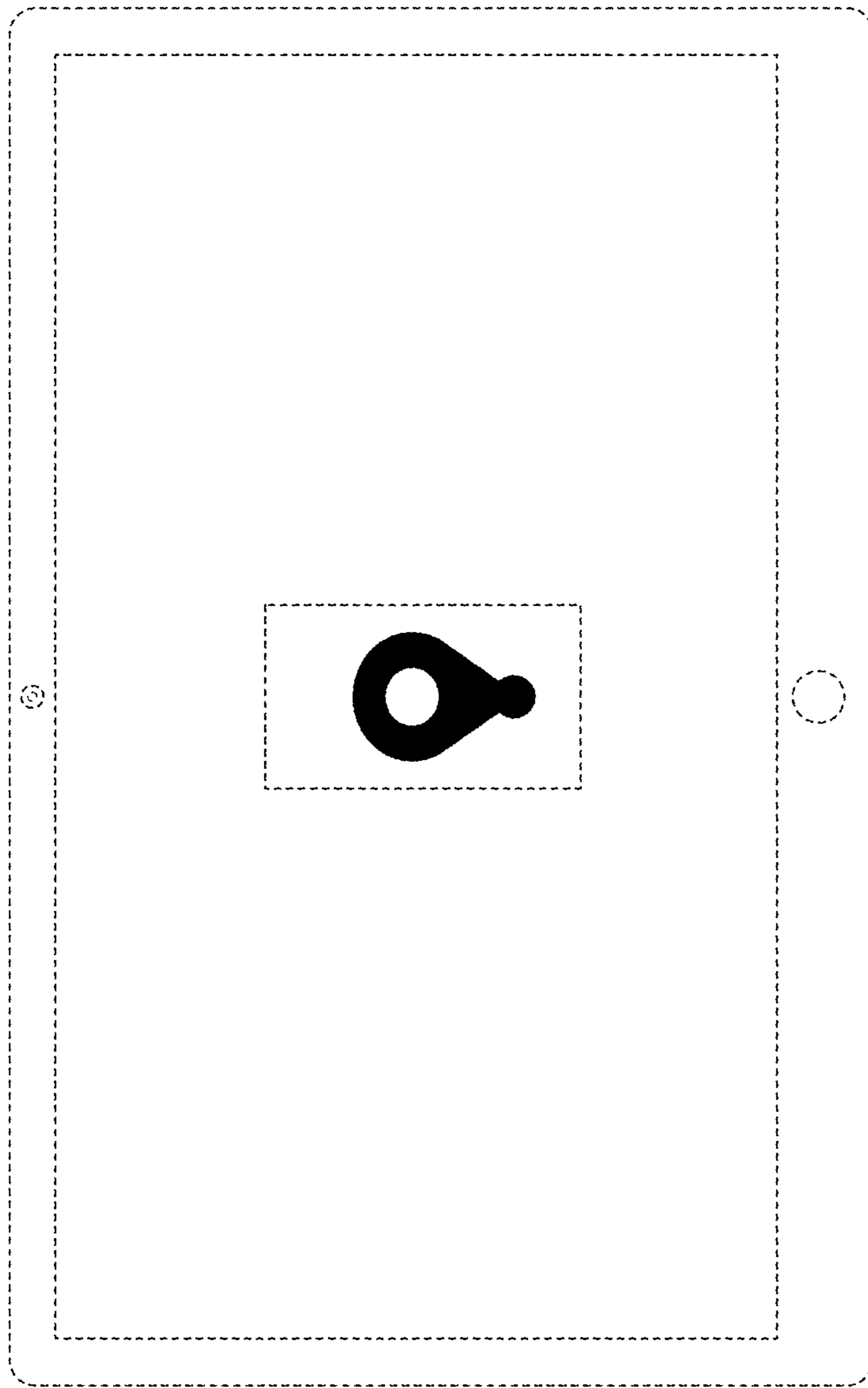


FIG. 9