



US00D768139S

(12) **United States Design Patent** (10) **Patent No.:** **US D768,139 S**
Chang (45) **Date of Patent:** **** Oct. 4, 2016**

(54) **DISPLAY BASE**
(71) Applicant: **AmTRAN TECHNOLOGY CO., LTD.**, New Taipei (TW)
(72) Inventor: **Chia-Hui Chang**, New Taipei (TW)
(73) Assignee: **AMTRAN TECHNOLOGY CO., LTD.**, New Taipei (TW)
(**) Term: **15 Years**
(21) Appl. No.: **29/535,747**
(22) Filed: **Aug. 10, 2015**
(51) **LOC (10) Cl.** **08-07**
(52) **U.S. Cl.**
USPC **D14/451**
(58) **Field of Classification Search**
USPC D14/371-382, 125-129, 336, 337, D14/447-452, 492, 335, 239, 457, 439-441, D14/432, 251-253; D8/349, 354, 363, 373, D8/376, 380; D21/333; D12/415; D3/218; 348/180, 184, 325, 739, 825
CPC G06F 3/0412; G06F 3/016; G06F 3/0488; G06F 3/011; G06F 3/038; G06F 3/03543; G06F 3/0338; G06F 3/0202; G06F 3/0219; G06F 3/0213; G06F 1/1616; G06F 3/023; G06F 3/04883; G02F 1/13338; G02F 1/1313; G02F 1/1333; G02F 1/135; G02F 1/132; G02F 1/133308; G02F 1/134309; G02F 1/13718; G09G 3/3648; G06K 15/1252; B41J 2/465; G03F 7/70291; G02B 27/0172; G02B 5/30; G02B 2027/0118; G02B 27/0101; F16M 13/02; F16M 13/00; F16M 11/10; F16M 11/04; F16M 2200/08; F16M 11/2021; A47B 21/0314; A47B 88/044; A47B 2021/0335; H02G 3/126; F16B 47/00; F16B 47/0006; A47G 1/17; A47K 2201/00
See application file for complete search history.

D652,811 S * 1/2012 Kim D14/126
D676,056 S * 2/2013 Liang D14/447
D680,979 S * 4/2013 Chen D14/126
D699,232 S * 2/2014 Jung D14/239
D701,844 S * 4/2014 Han D14/126
D723,043 S * 2/2015 Chang D14/451
D724,042 S * 3/2015 Chang D14/126
D742,843 S * 11/2015 Lee D14/126
D751,075 S * 3/2016 Ho D14/374
D754,356 S * 4/2016 Lee D11/3
2004/0147178 A1* 7/2004 Kim F16M 11/04
439/894

* cited by examiner

Primary Examiner — Garth Rademaker
Assistant Examiner — Katie S Mroczka
(74) *Attorney, Agent, or Firm* — Muncy, Geissler, Olds & Lowe, P.C.

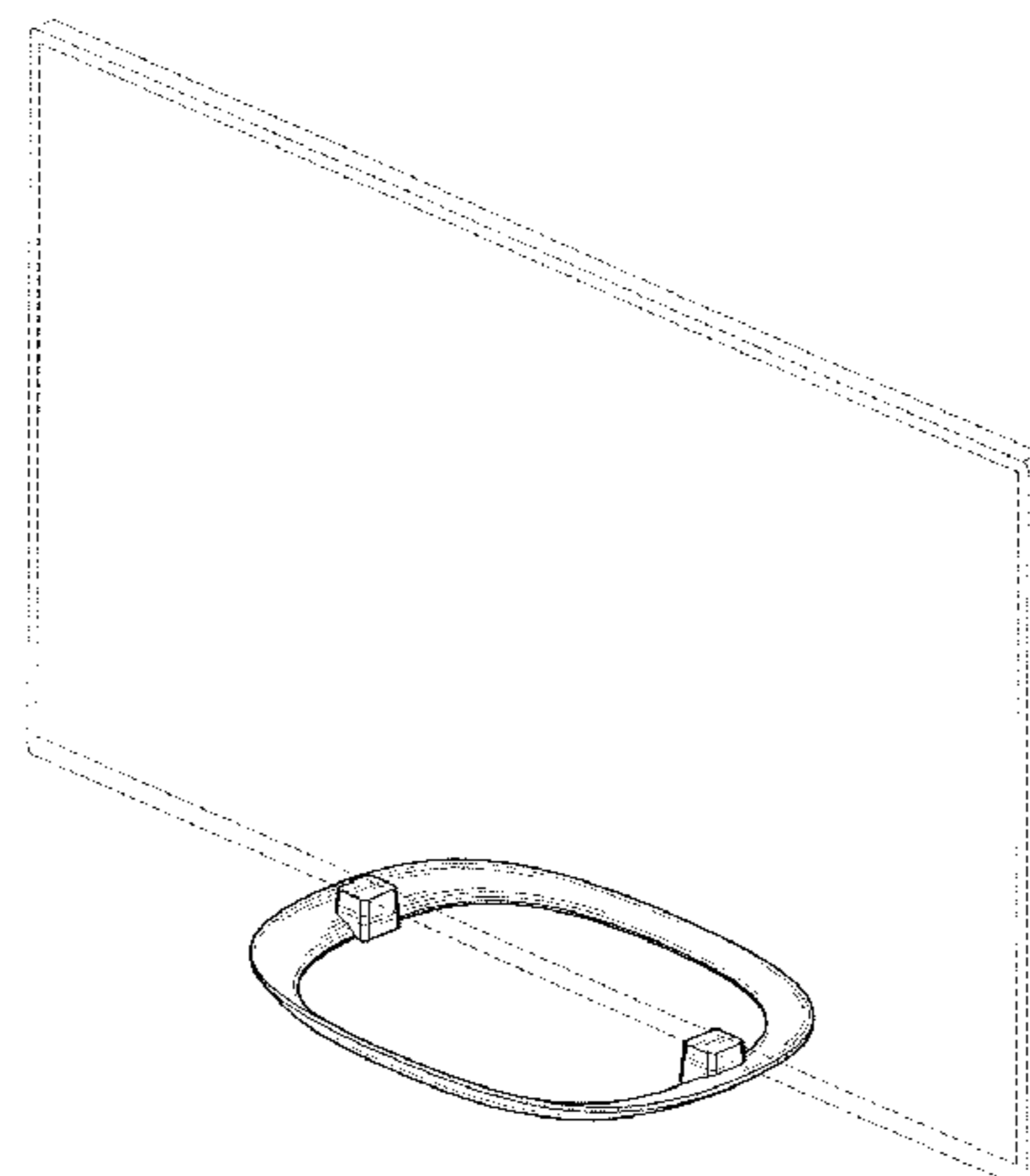
(57) **CLAIM**
The ornamental design for a “display base,” as shown and described.

DESCRIPTION

FIG. 1 is a top, front, left perspective view of a display base showing my new design;
FIG. 2 is a bottom, right, rear perspective view of a display base showing my new design;
FIG. 3 is a front view thereof;
FIG. 4 is a rear view thereof;
FIG. 5 is a left side elevational view thereof;
FIG. 6 is a right side elevational view thereof;
FIG. 7 is a top view thereof;
FIG. 8 is a bottom view thereof; and,
FIG. 9 is a perspective view thereof, shown in an environment of use.
The broken lines shown in FIG. 9 illustrate environment that forms no part of the claimed design.

1 Claim, 6 Drawing Sheets

(56) **References Cited**
U.S. PATENT DOCUMENTS
D548,227 S * 8/2007 Wang D14/239
D637,601 S * 5/2011 Symons D14/447



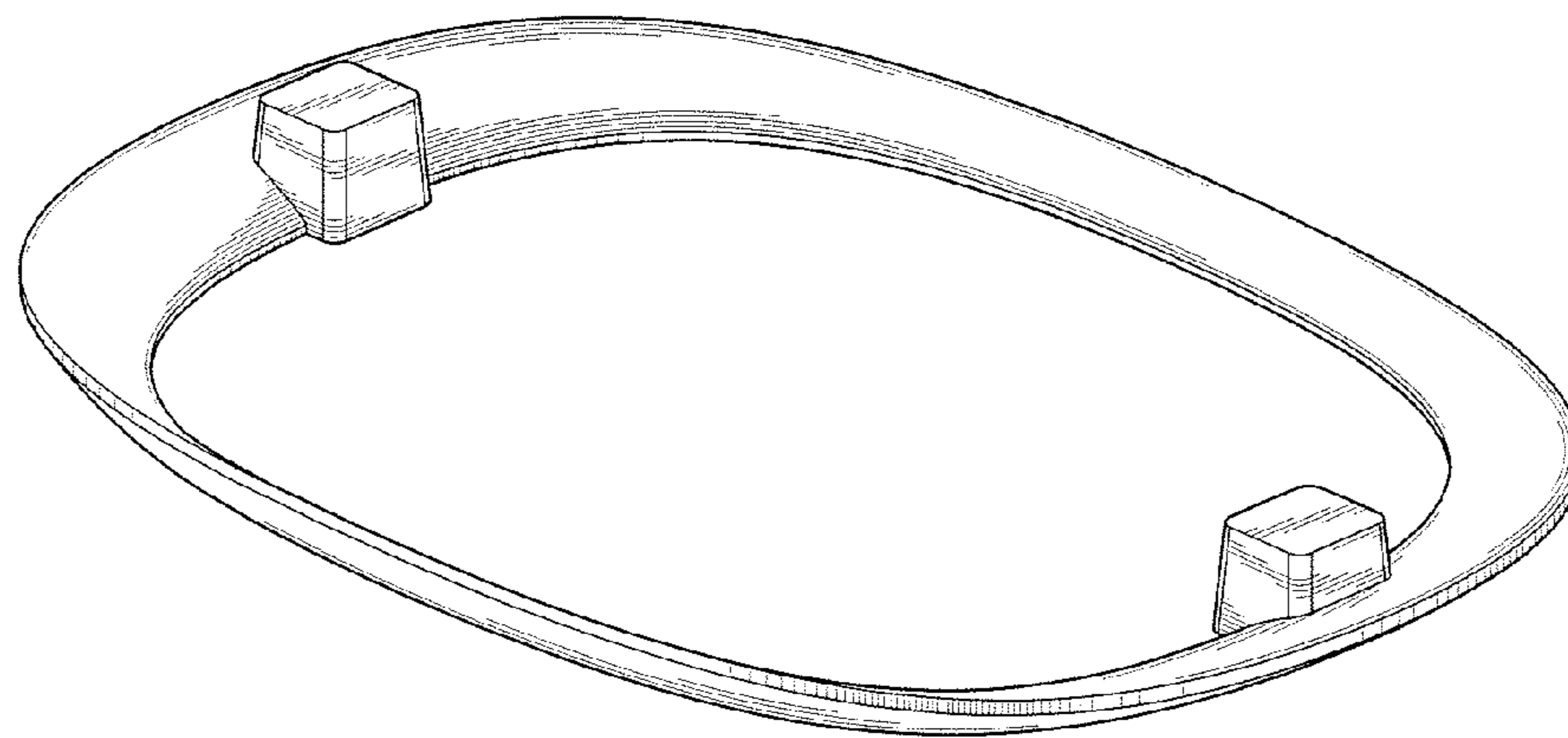


FIG. 1

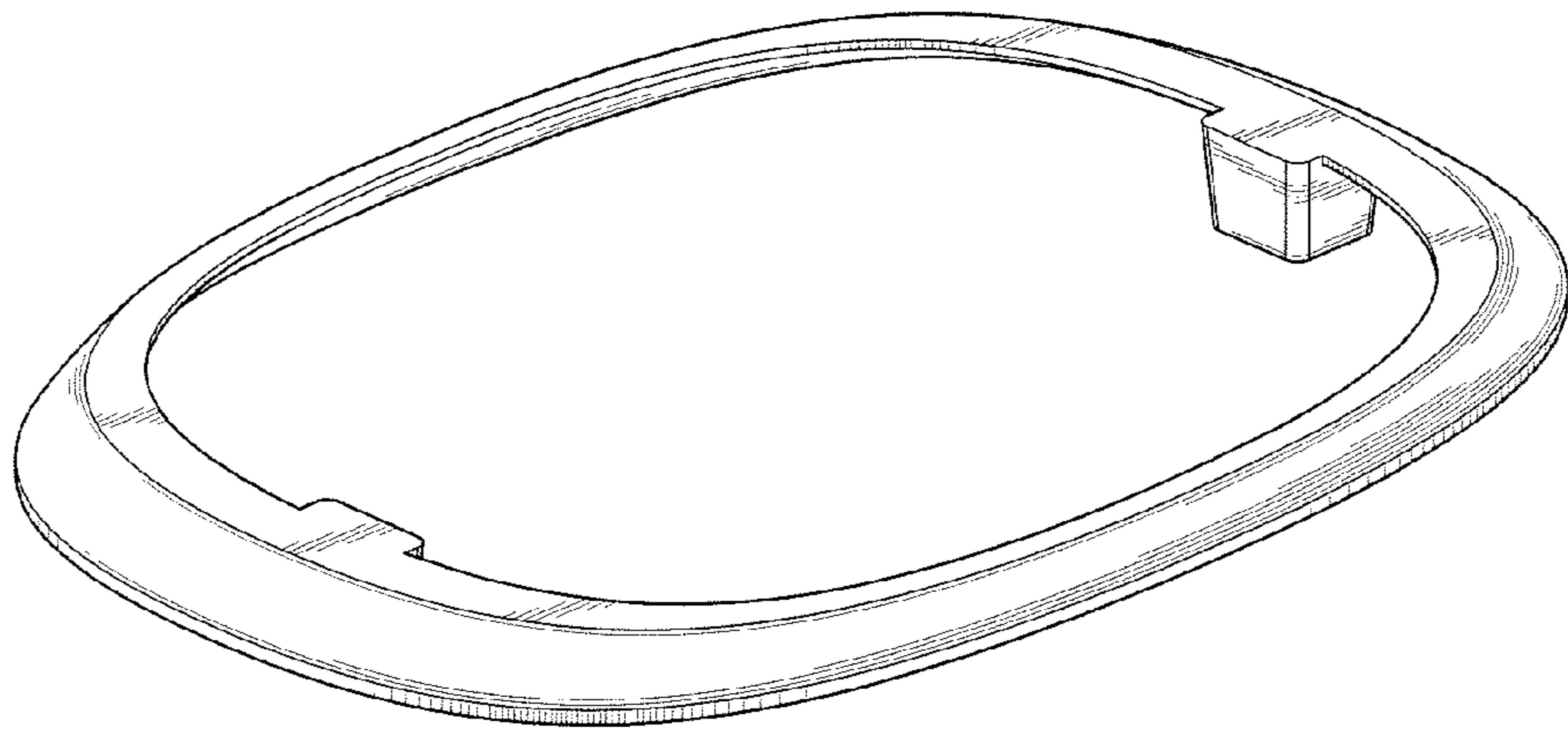


FIG. 2

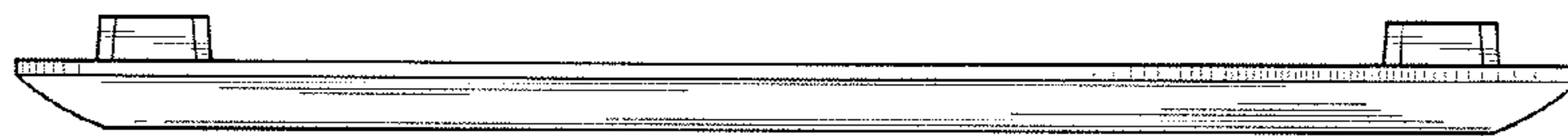


FIG. 3

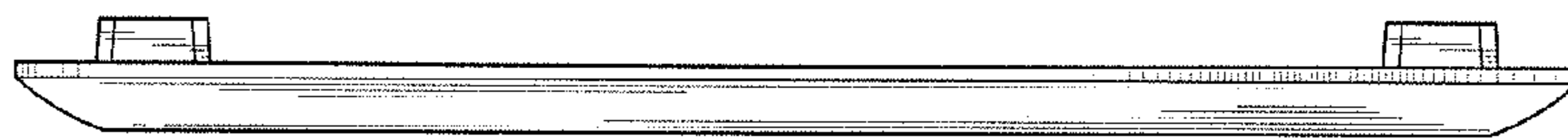


FIG. 4

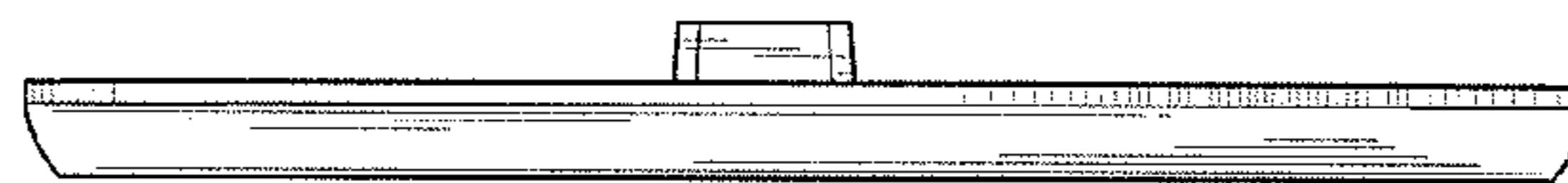


FIG. 5

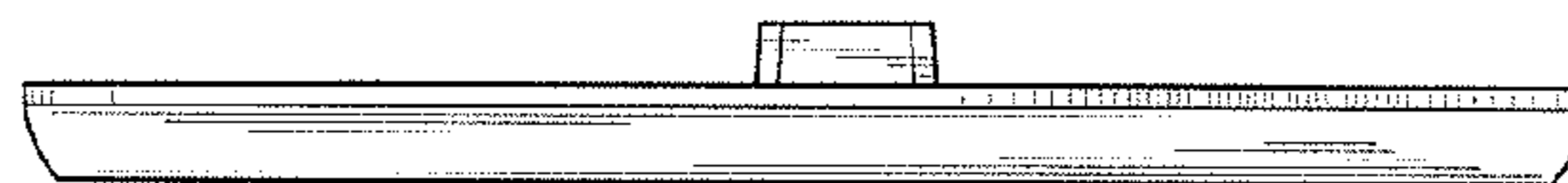


FIG. 6

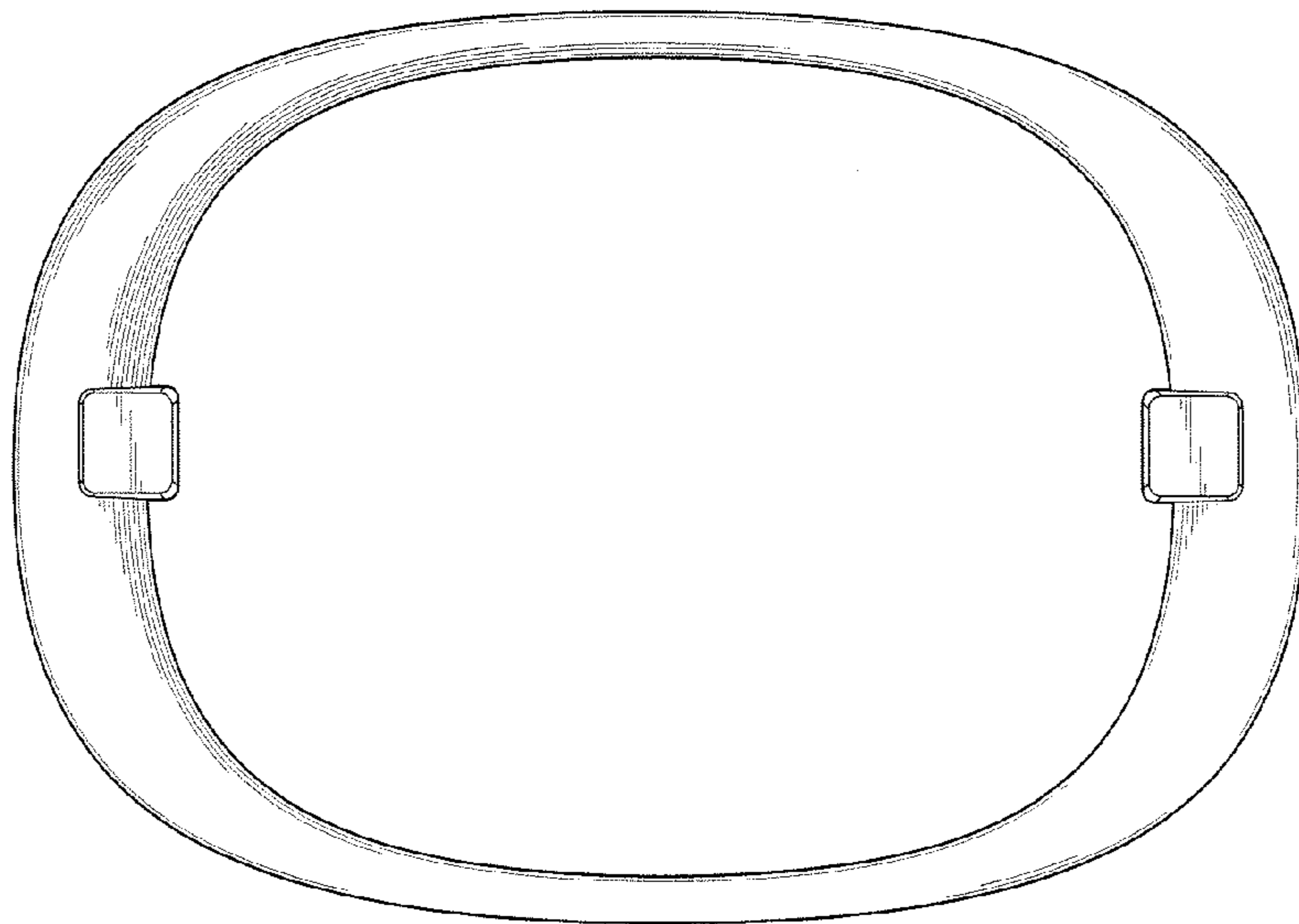


FIG. 7

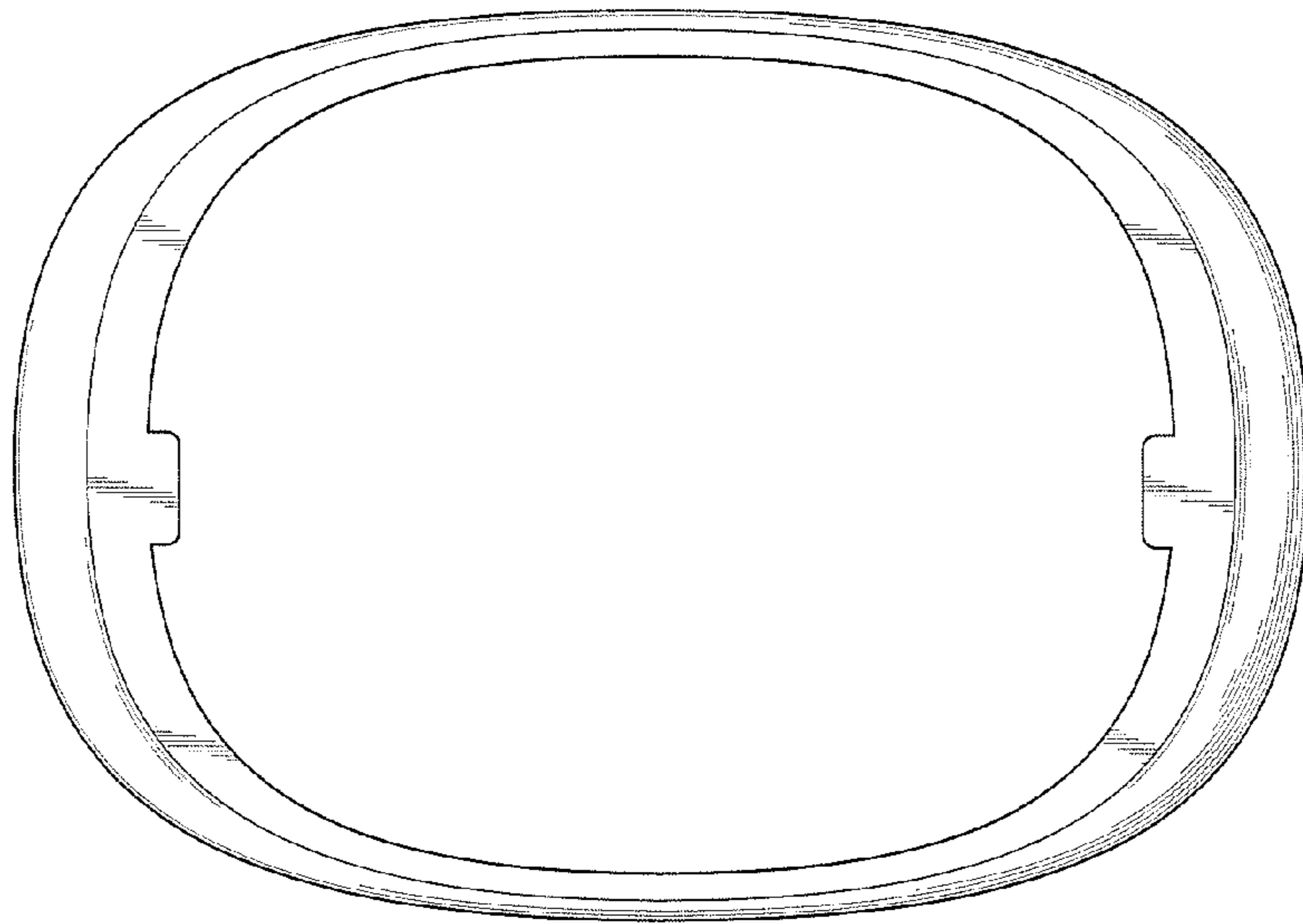


FIG. 8

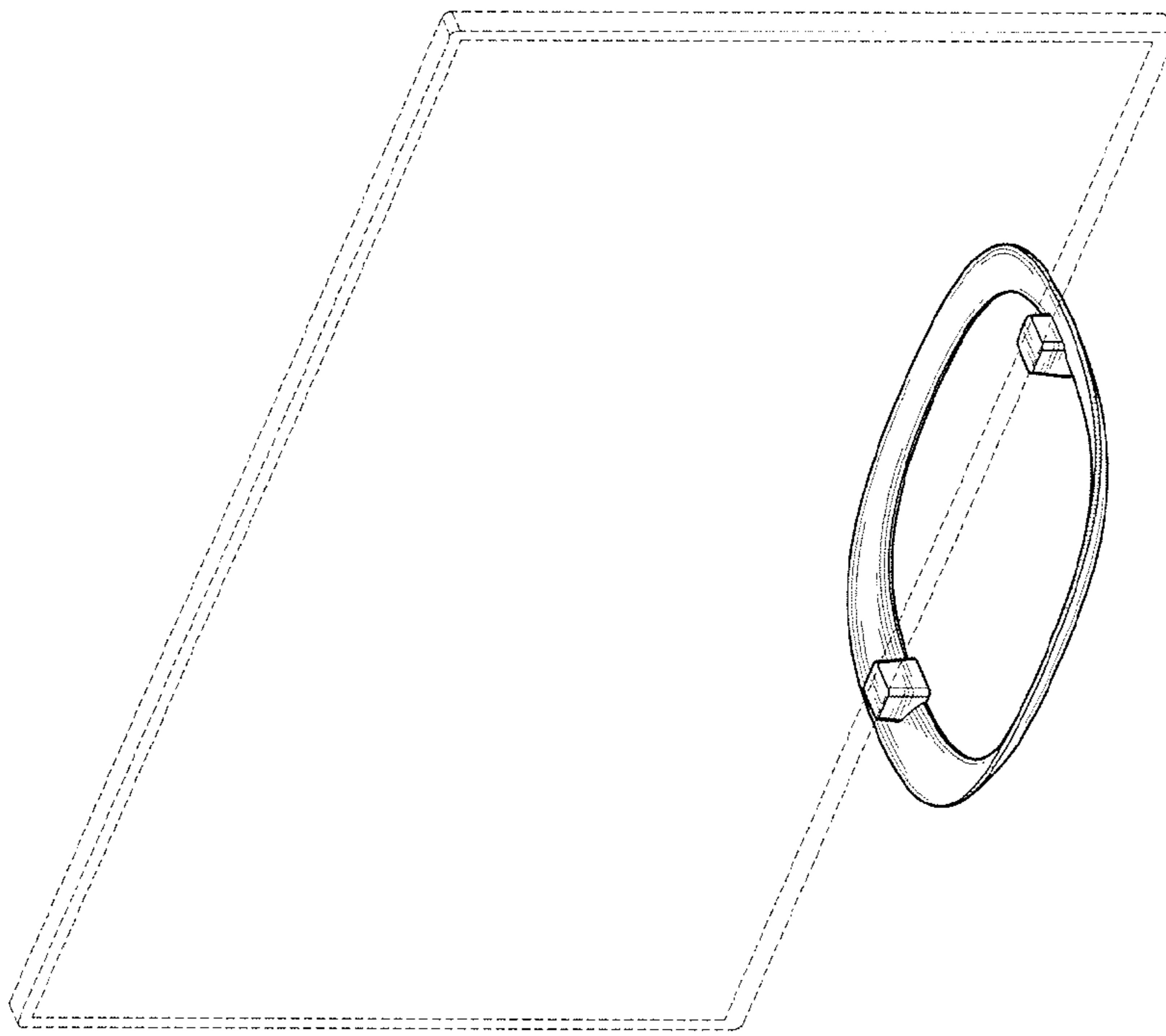


FIG. 9