



US00D768133S

(12) **United States Design Patent**  
**Reed et al.**

(10) **Patent No.:** **US D768,133 S**  
(45) **Date of Patent:** **\*\* Oct. 4, 2016**

(54) **STYLUS**  
(71) Applicant: **Microsoft Corporation**, Redmond, WA (US)  
(72) Inventors: **Anthony Reed**, Bellevue, WA (US);  
**Vineet Thuvvara**, Sammamish, WA (US)  
(73) Assignee: **Microsoft Corporation**, Redmond, WA (US)

(\*\*) Term: **15 Years**

(21) Appl. No.: **29/541,018**

(22) Filed: **Sep. 30, 2015**

(51) **LOC (10) Cl.** ..... **07-05**

(52) **U.S. Cl.**  
USPC ..... **D14/411**

(58) **Field of Classification Search**  
USPC ..... D14/372, 496, 432, 371, 125, 126, 129,  
D14/299, 411; D16/300-342; 351/158, 153,  
351/144; 345/7-9, 905; 455/344; 348/115,  
348/53, 121, 739  
CPC ..... G02B 27/017; G06F 3/016; G06F 3/033;  
G06F 3/0317; G06F 3/03545; G06F 3/041;  
G06K 9/222  
See application file for complete search history.

(56) **References Cited**

**U.S. PATENT DOCUMENTS**

D669,897 S \* 10/2012 Nakata ..... D14/411  
D684,578 S \* 6/2013 Son ..... D14/411

D694,238 S \* 11/2013 Du ..... D14/411  
D694,756 S \* 12/2013 Nakata ..... D14/411  
D708,617 S \* 7/2014 Nakata ..... D14/411  
D712,479 S \* 9/2014 Fleming ..... D19/171  
D717,301 S \* 11/2014 Groene ..... D14/411  
D717,798 S \* 11/2014 Groene ..... D14/411  
D724,086 S \* 3/2015 Schoenert ..... D14/411  
D725,112 S \* 3/2015 Bo ..... D14/411  
D752,050 S \* 3/2016 Zhang ..... D14/411  
D754,661 S \* 4/2016 Nishizawa ..... D14/411

\* cited by examiner

*Primary Examiner* — Austin Murphy

(74) *Attorney, Agent, or Firm* — Banner & Witcoff, Ltd.

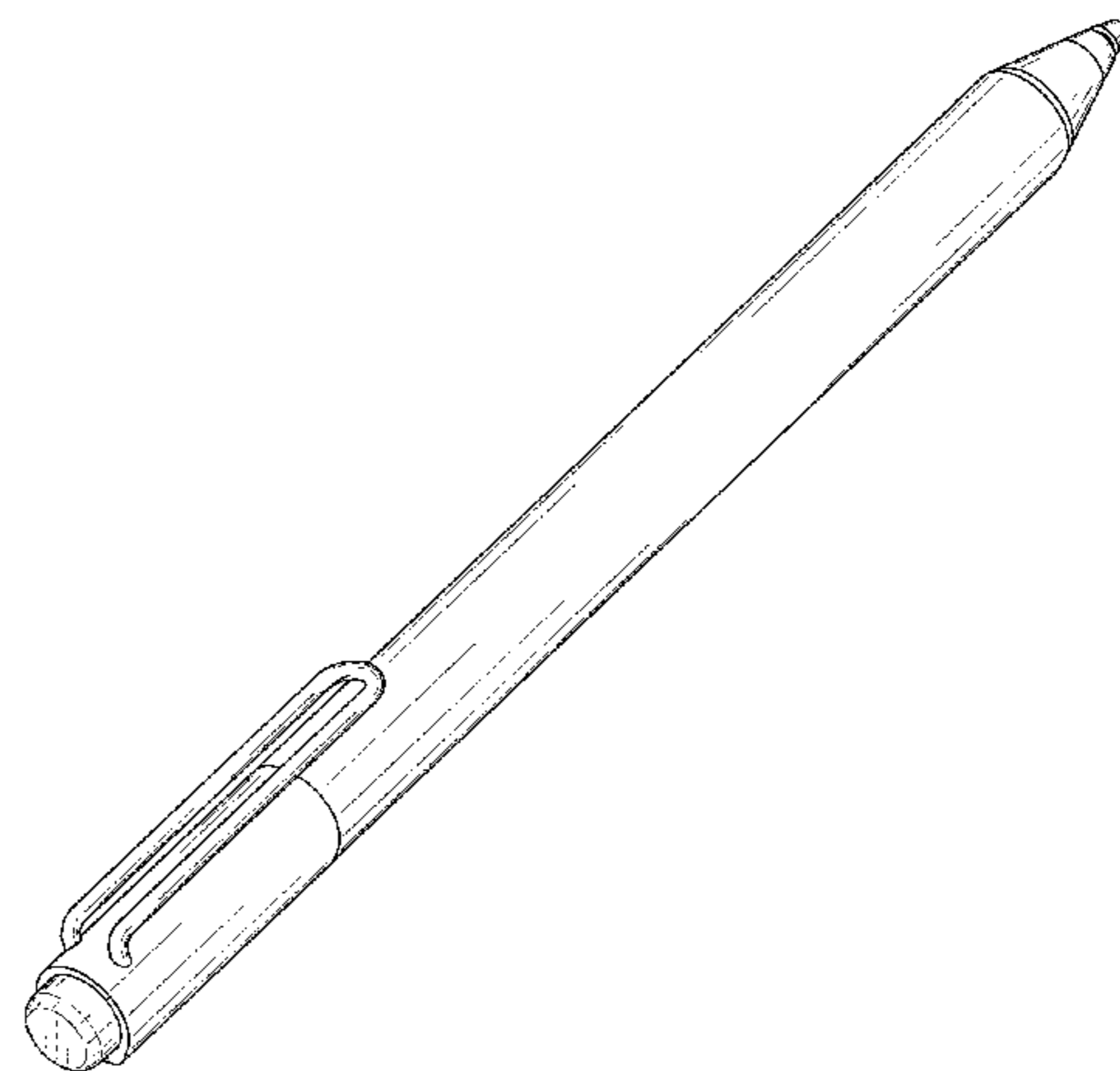
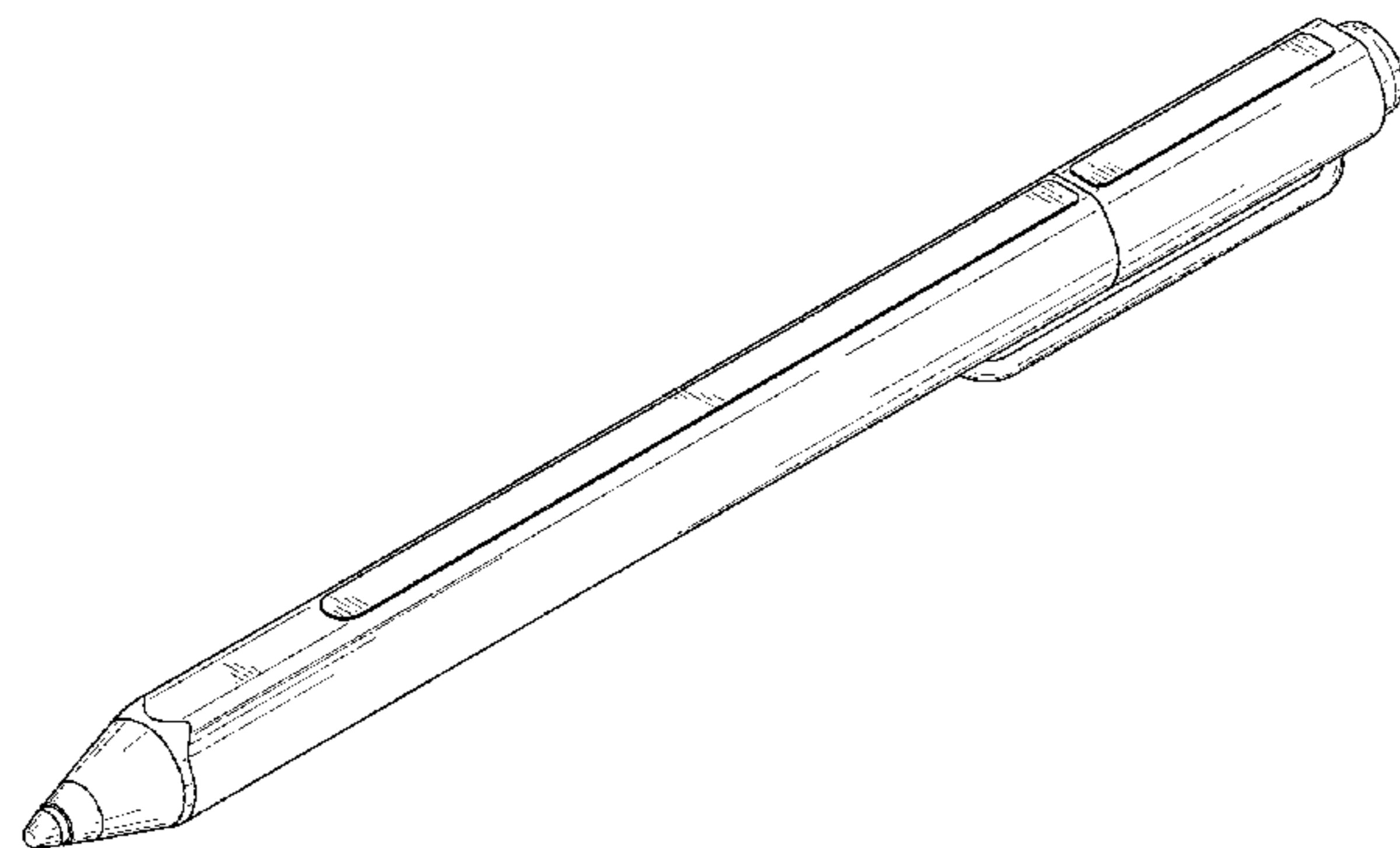
(57) **CLAIM**

The ornamental design for a stylus, as shown and described.

**DESCRIPTION**

FIG. 1 is a front perspective view of a stylus showing our new design;  
FIG. 2 is a rear perspective view thereof;  
FIG. 3 is a front view thereof;  
FIG. 4 is a rear view thereof;  
FIG. 5 is a left side view thereof;  
FIG. 6 is a right side view thereof;  
FIG. 7 is a bottom view thereof; and,  
FIG. 8 is a top view thereof.

**1 Claim, 4 Drawing Sheets**



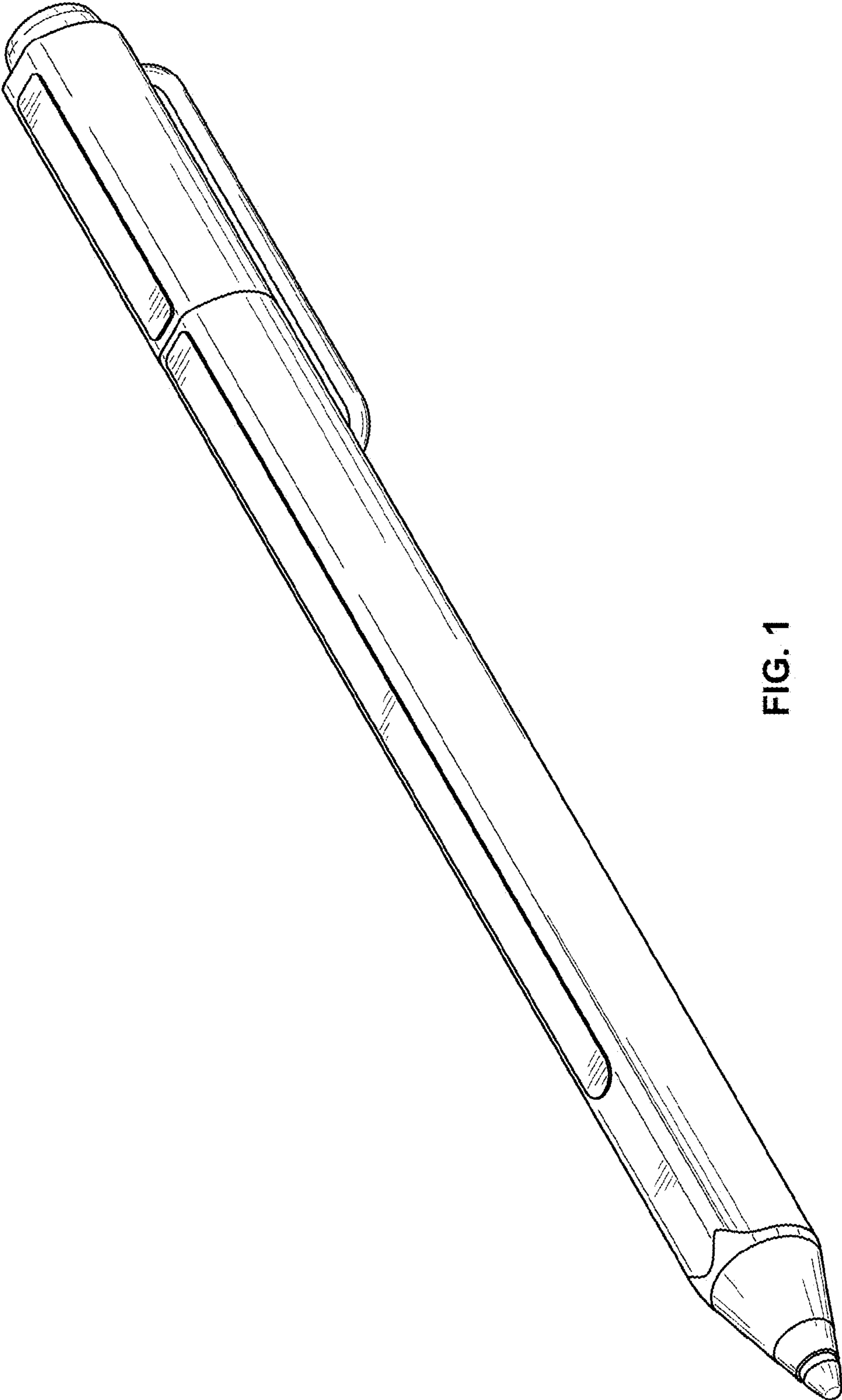


FIG. 1

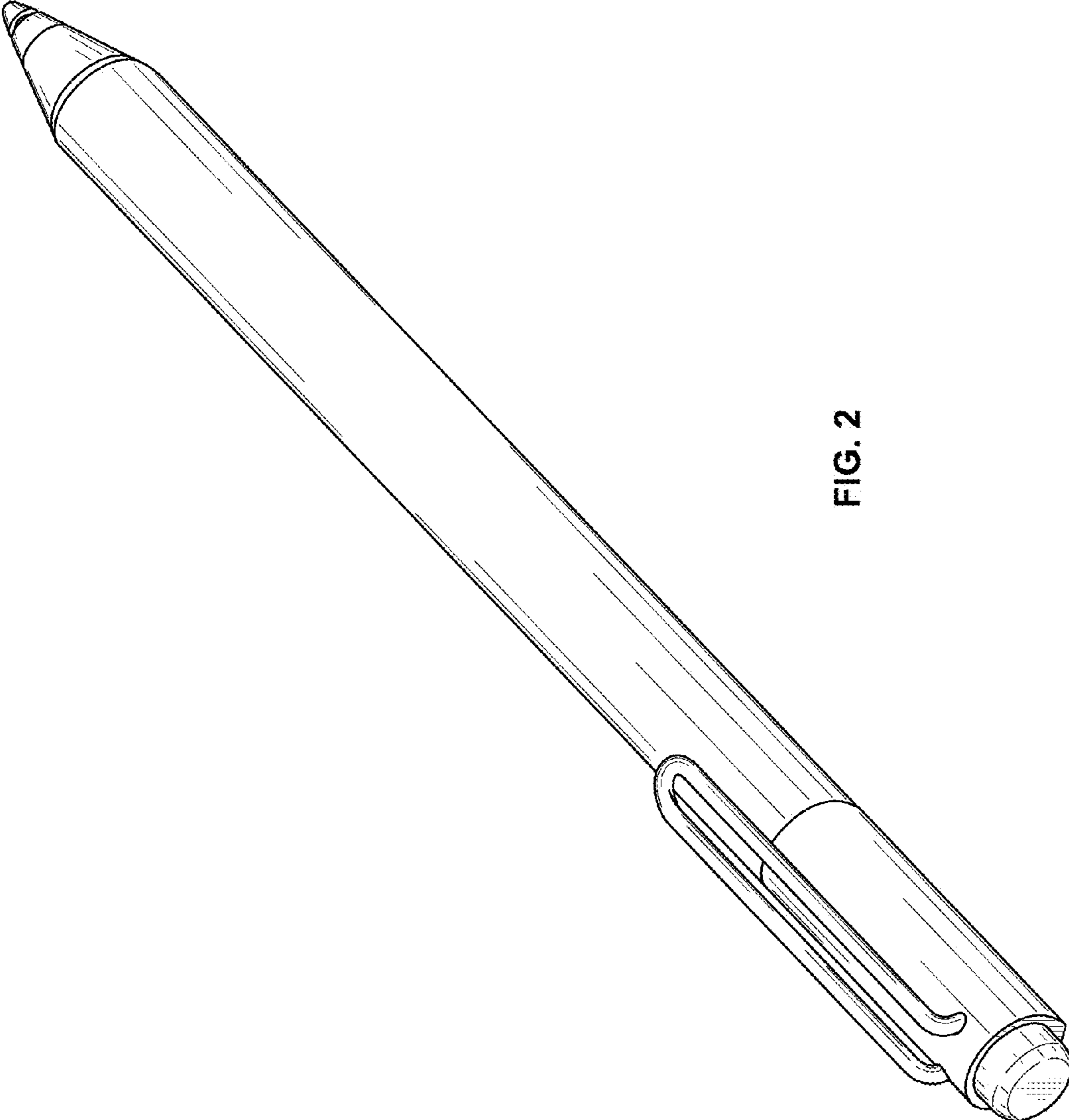


FIG. 2

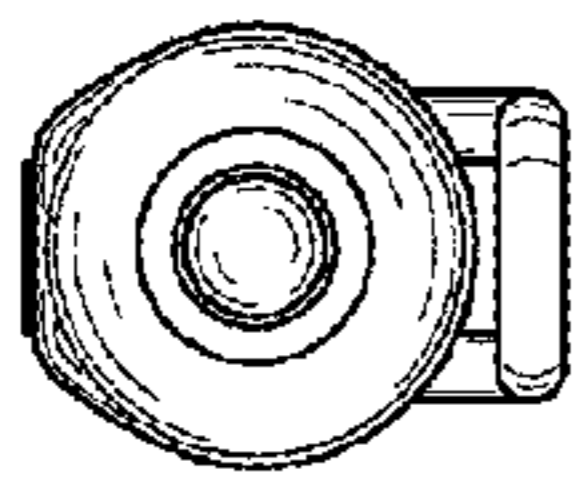


FIG. 3

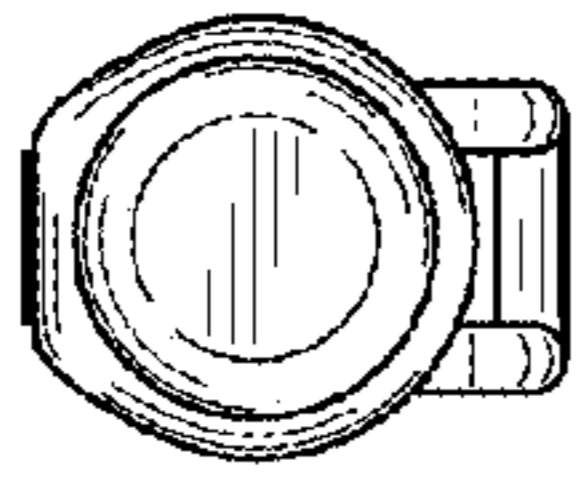


FIG. 4

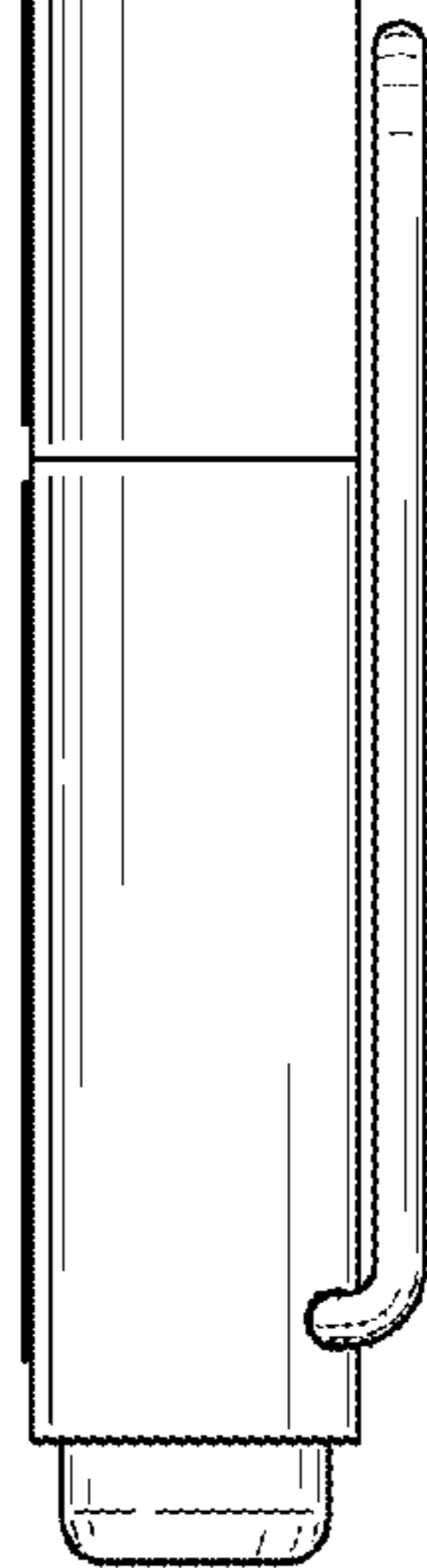


FIG. 5

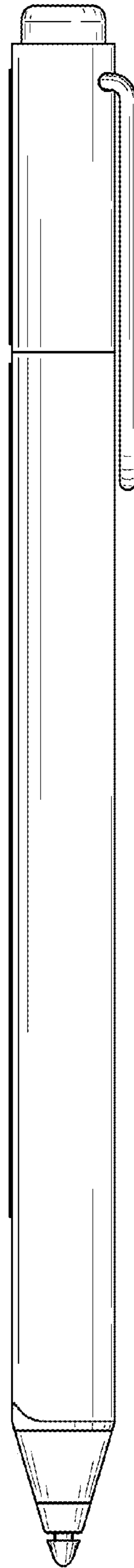


FIG. 6

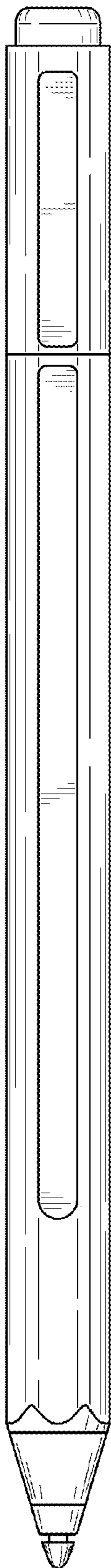


FIG. 7



FIG. 8