



US00D768132S

(12) **United States Design Patent**
Huang

(10) **Patent No.:** **US D768,132 S**

(45) **Date of Patent:** **** Oct. 4, 2016**

(54) **DISPLAY DEVICE**

(71) Applicant: **Lenovo (Beijing) Co., Ltd.**, Beijing (CN)

(72) Inventor: **Zicheng Huang**, Beijing (CN)

(73) Assignee: **Lenovo (Beijing) Co., Ltd.**, Beijing (CN)

(**) Term: **14 Years**

(21) Appl. No.: **29/520,302**

(22) Filed: **Mar. 13, 2015**

(30) **Foreign Application Priority Data**

Sep. 19, 2014 (CN) 2014 3 0349625

(51) **LOC (10) Cl.** **14-02**

(52) **U.S. Cl.**
USPC **D14/374**

(58) **Field of Classification Search**
USPC D14/341, 336, 337, 126-129, 371-374;
D18/1, 2, 7, 11; 235/145 A, 145 R;
341/22, 23; 345/104, 156, 168, 169,
345/173; 361/679.08, 679.09, 679.11,
361/679.26, 679.27
CPC G06F 1/16; G06F 1/1616; G06F 1/1626;
G06F 1/1632; G06F 1/1613; G06F 1/1601;
G06F 1/1618; G06F 1/162; G06F 1/166;
G06F 1/1654; G06F 1/1681; G06F 1/1637;
G06F 1/1688; G06F 3/037; H01R 35/02;
H03M 11/00; G09B 13/04; H03K 17/94;
G09G 5/00; F16M 11/10; F16M 11/00;
F16M 11/02; F16M 11/18; H05K 5/00;
H04M 1/0237

See application file for complete search history.

(56) **References Cited**

U.S. PATENT DOCUMENTS

D355,170	S	*	2/1995	Mizusugi	D14/336
D424,068	S	*	5/2000	Takemasa	D14/126
D494,173	S	*	8/2004	Lin	D14/374
D524,312	S	*	7/2006	Young	D14/375
D599,792	S	*	9/2009	Lin	D14/331
D606,071	S	*	12/2009	Wu	D14/336
D628,199	S	*	11/2010	Yukikado	D14/371
D642,081	S	*	7/2011	Kashimoto	D10/49
D659,692	S	*	5/2012	Jung	D14/341
D678,877	S	*	3/2013	Groene	D14/341
D691,980	S	*	10/2013	Park	D14/138 G
D712,399	S	*	9/2014	Sohn	D14/336
2008/0298002	A1	*	12/2008	Liu	G06F 1/1601 361/679.26

* cited by examiner

Primary Examiner — Freda S Nunn

(74) *Attorney, Agent, or Firm* — Oppedahl Patent Law Firm LLC

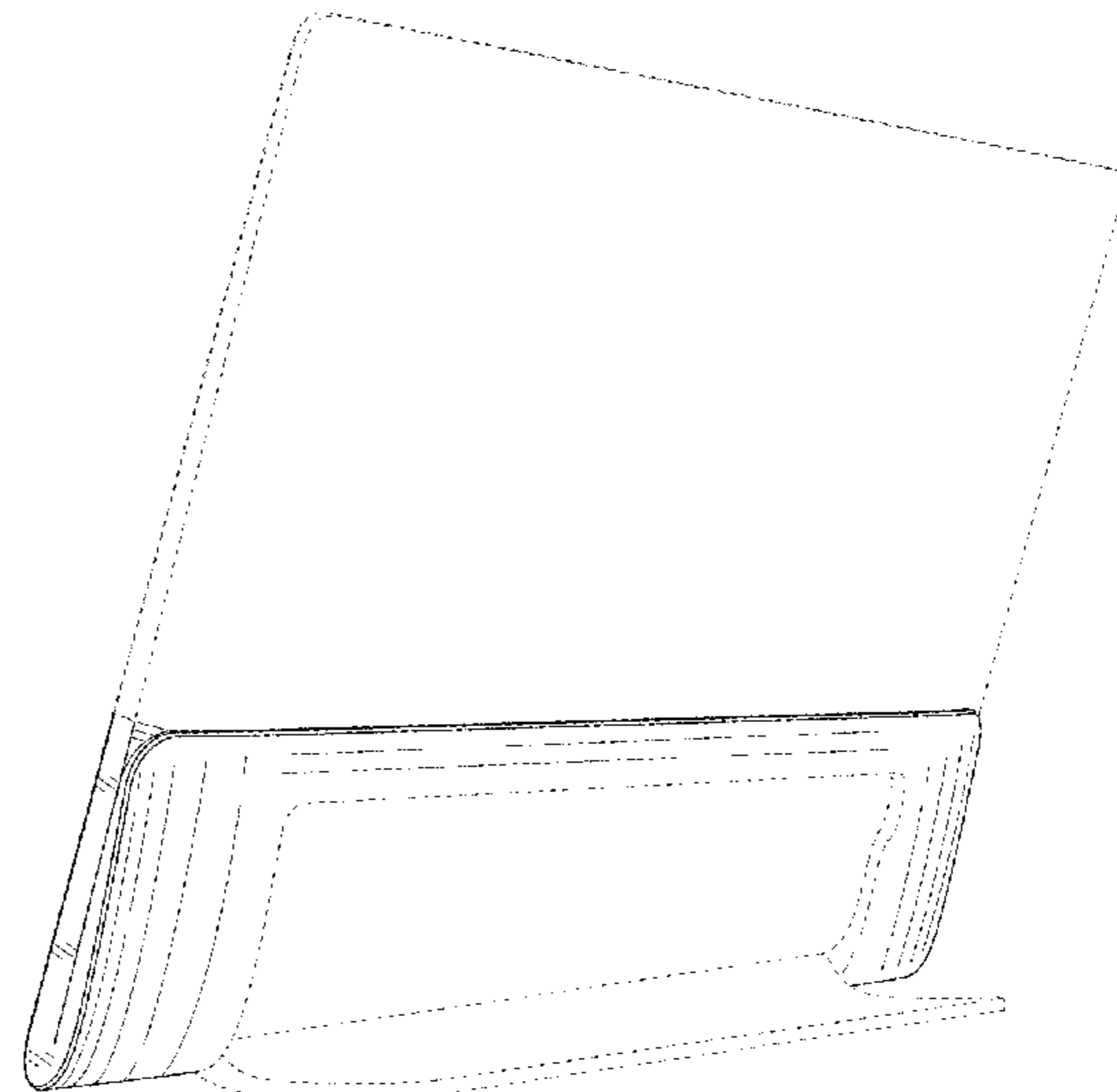
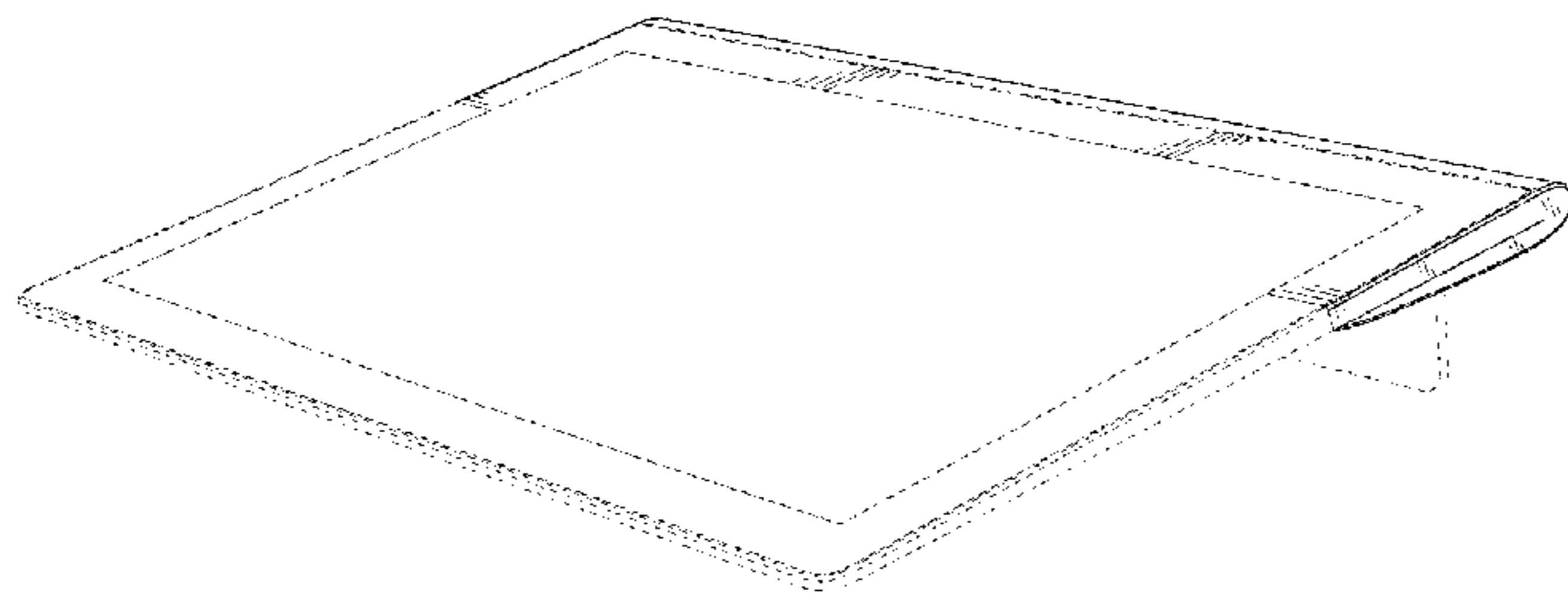
(57) **CLAIM**

The ornamental design for display device, as shown and described.

DESCRIPTION

FIG. 1 is a front view of my new design for a display device; FIG. 2 is a rear view thereof; FIG. 3 is a left side view thereof; FIG. 4 is a right side view thereof; FIG. 5 is a top view thereof; FIG. 6 is an enlarged view of the section indicated in FIG. 5; FIG. 7 is a bottom view thereof; FIG. 8 is a first perspective view thereof; FIG. 9 is a second perspective view thereof; and, FIG. 10 is a third perspective view thereof. Broken lines shown in the drawings illustrate portions of the display device and form no part of the claimed design.

1 Claim, 7 Drawing Sheets



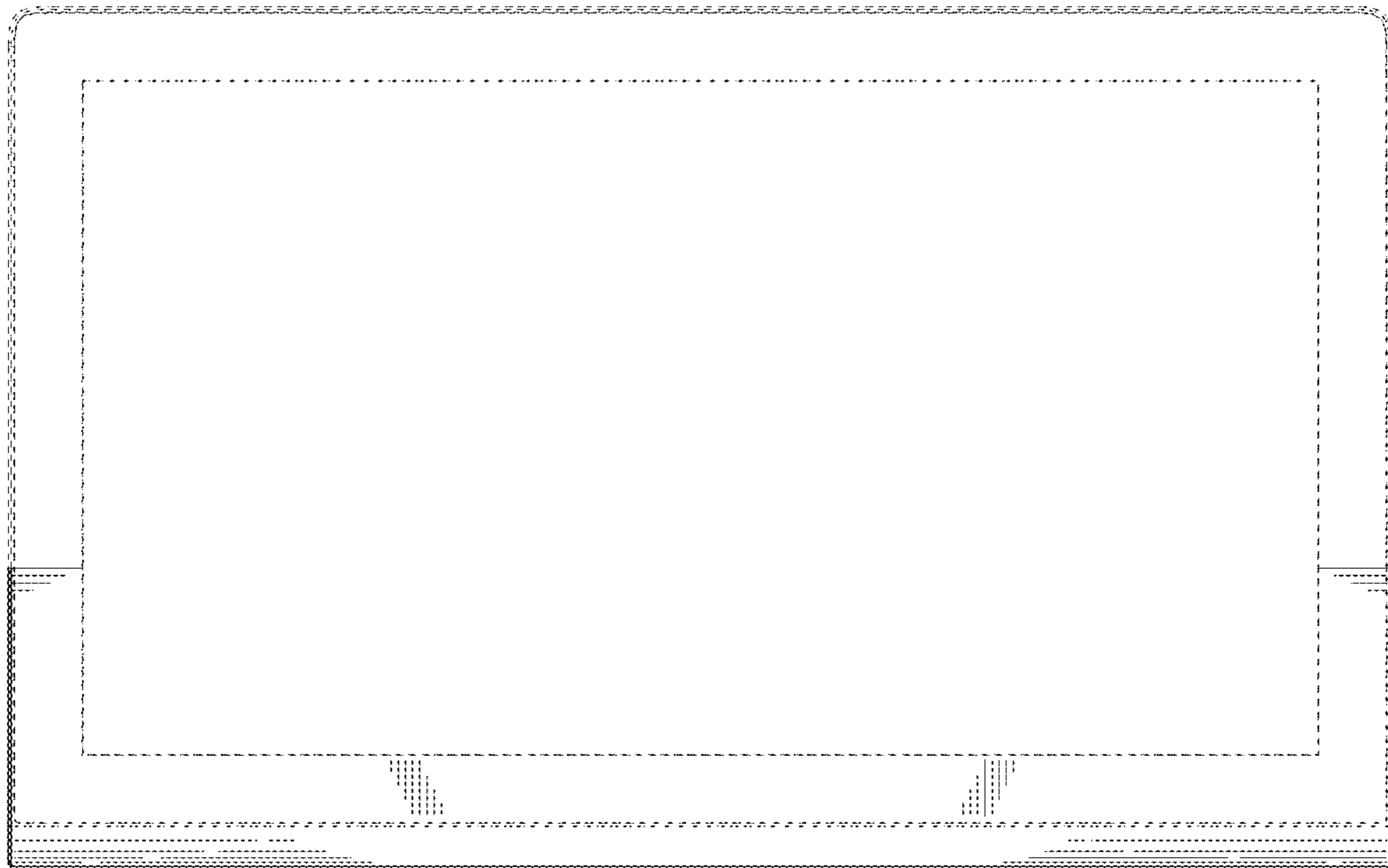


Figure 1

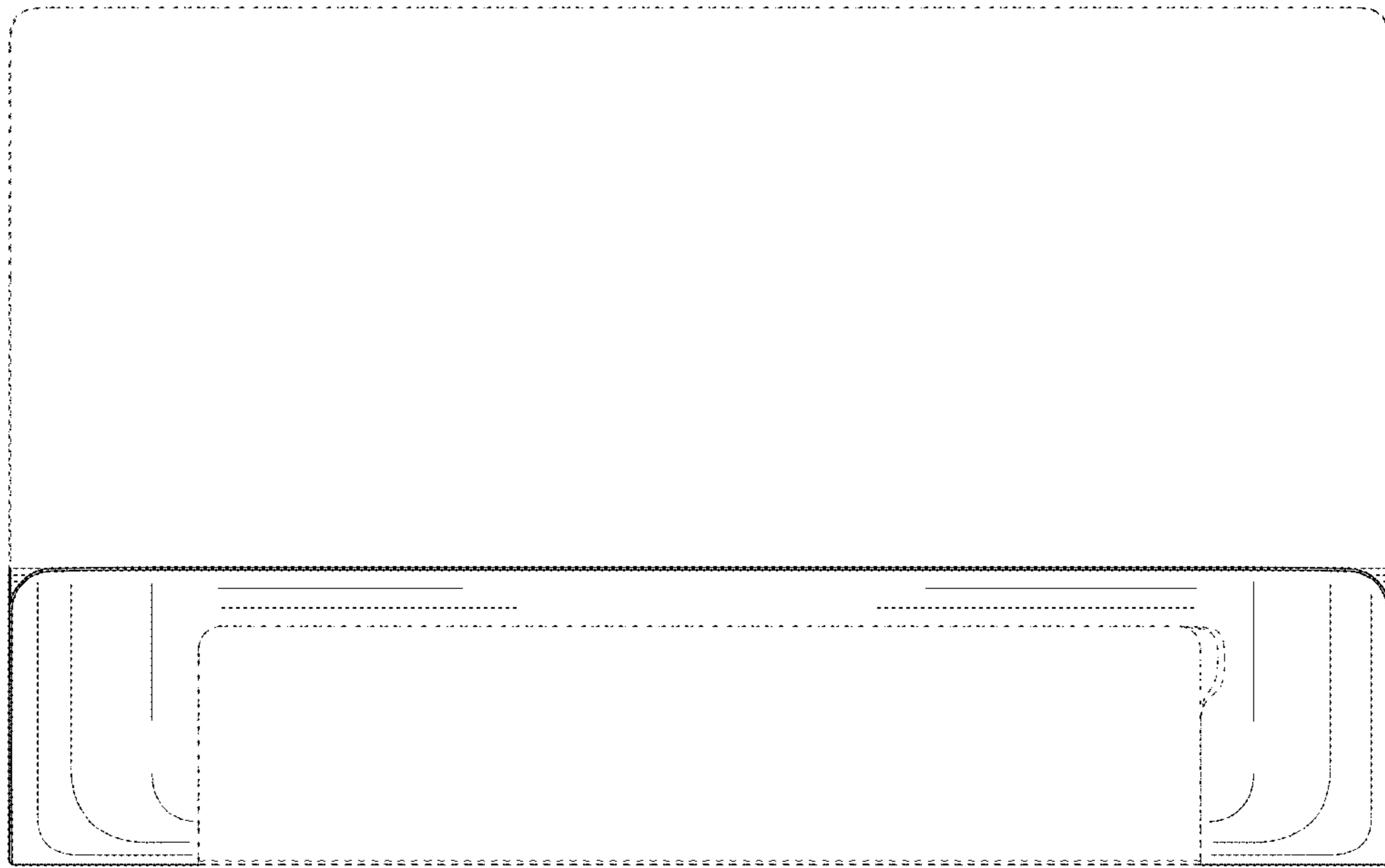


Figure 2

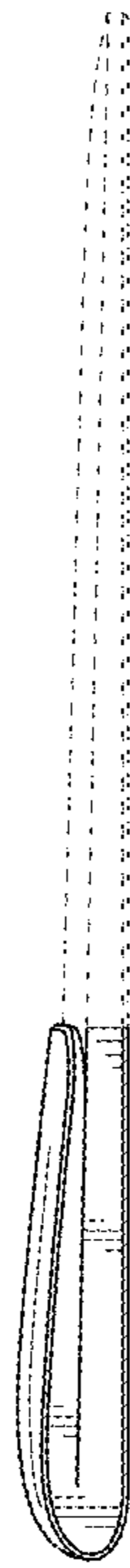


Figure 3

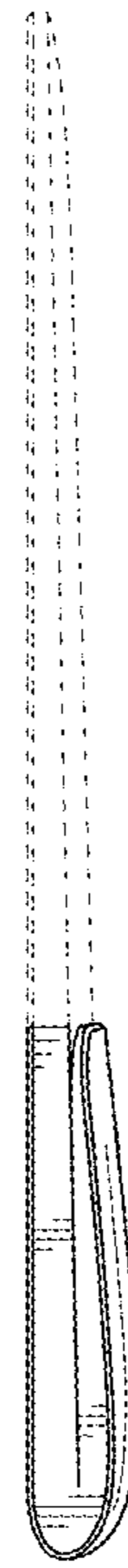


Figure 4

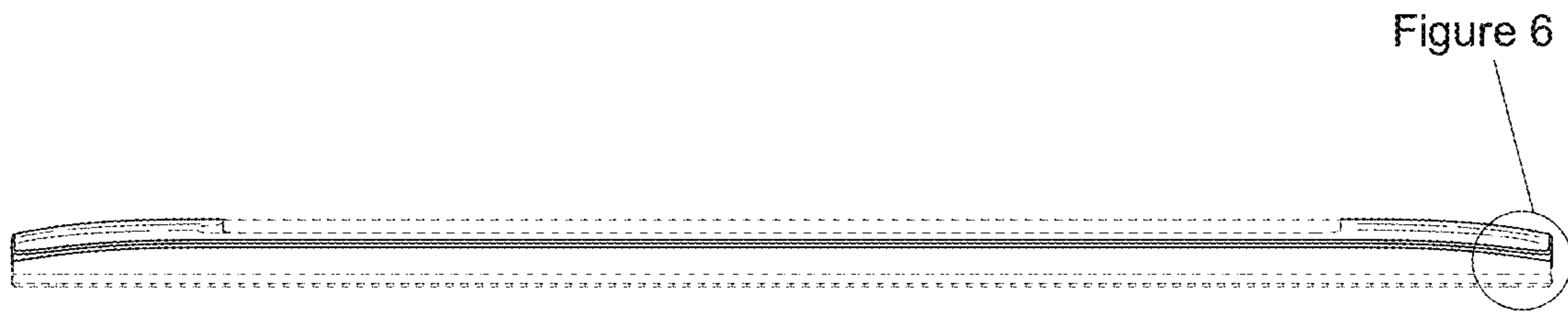


Figure 5

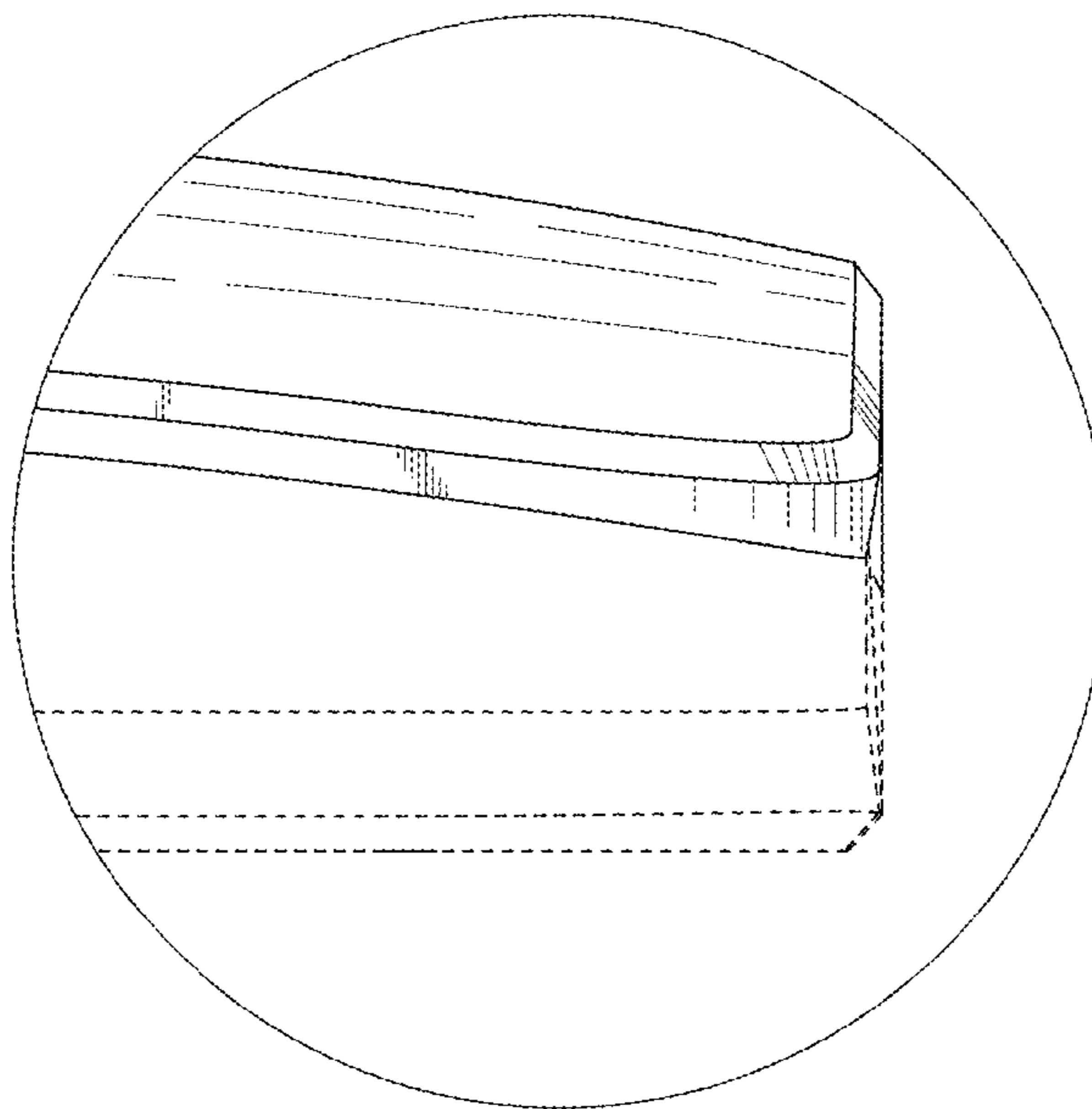


Figure 6

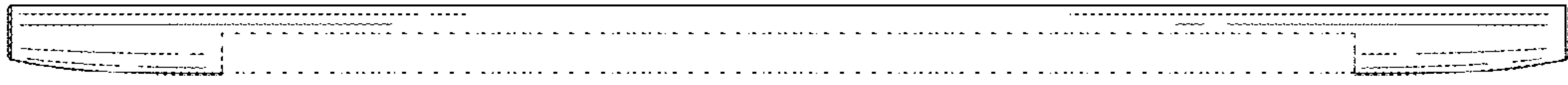


Figure 7

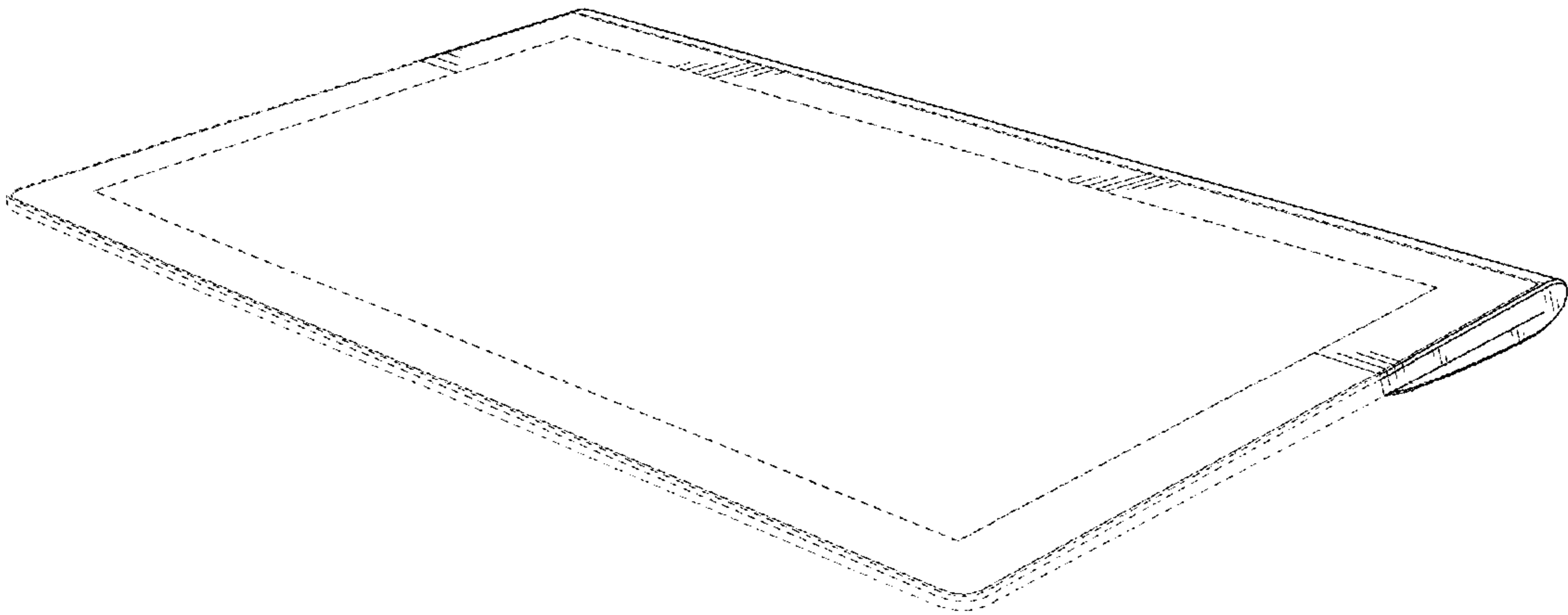


Figure 8

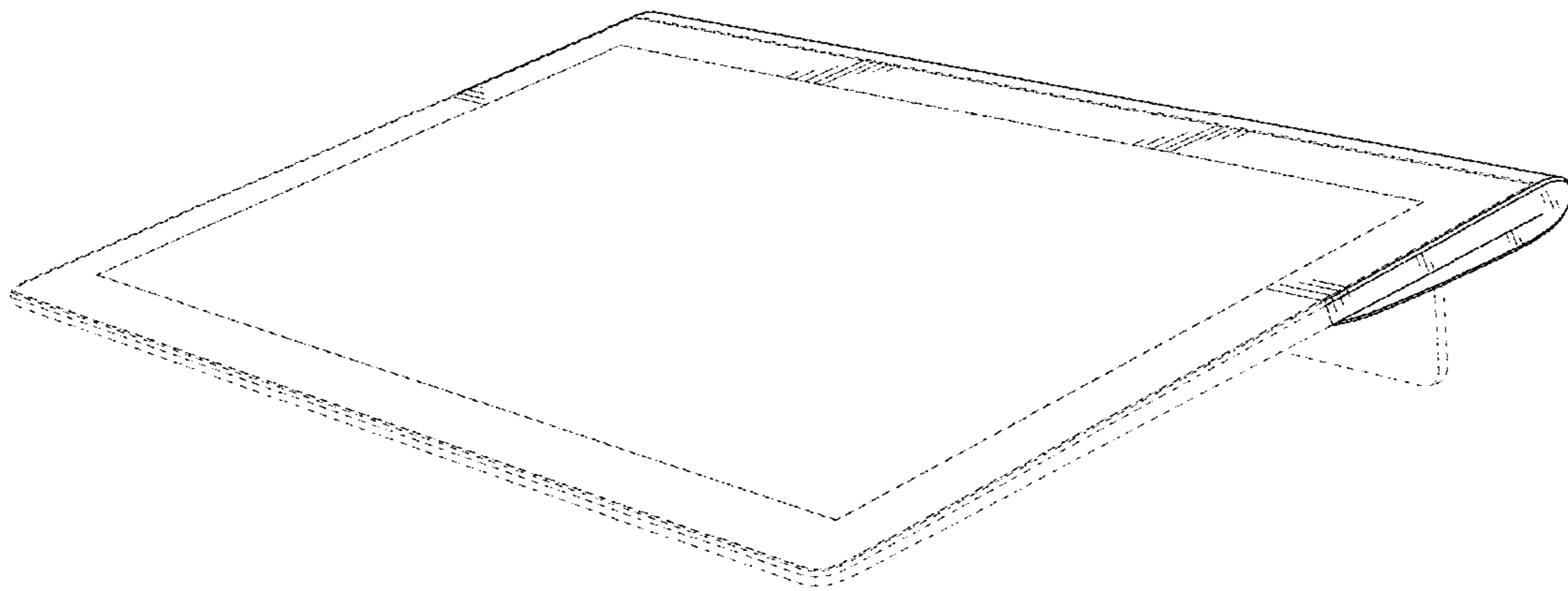


Figure 9

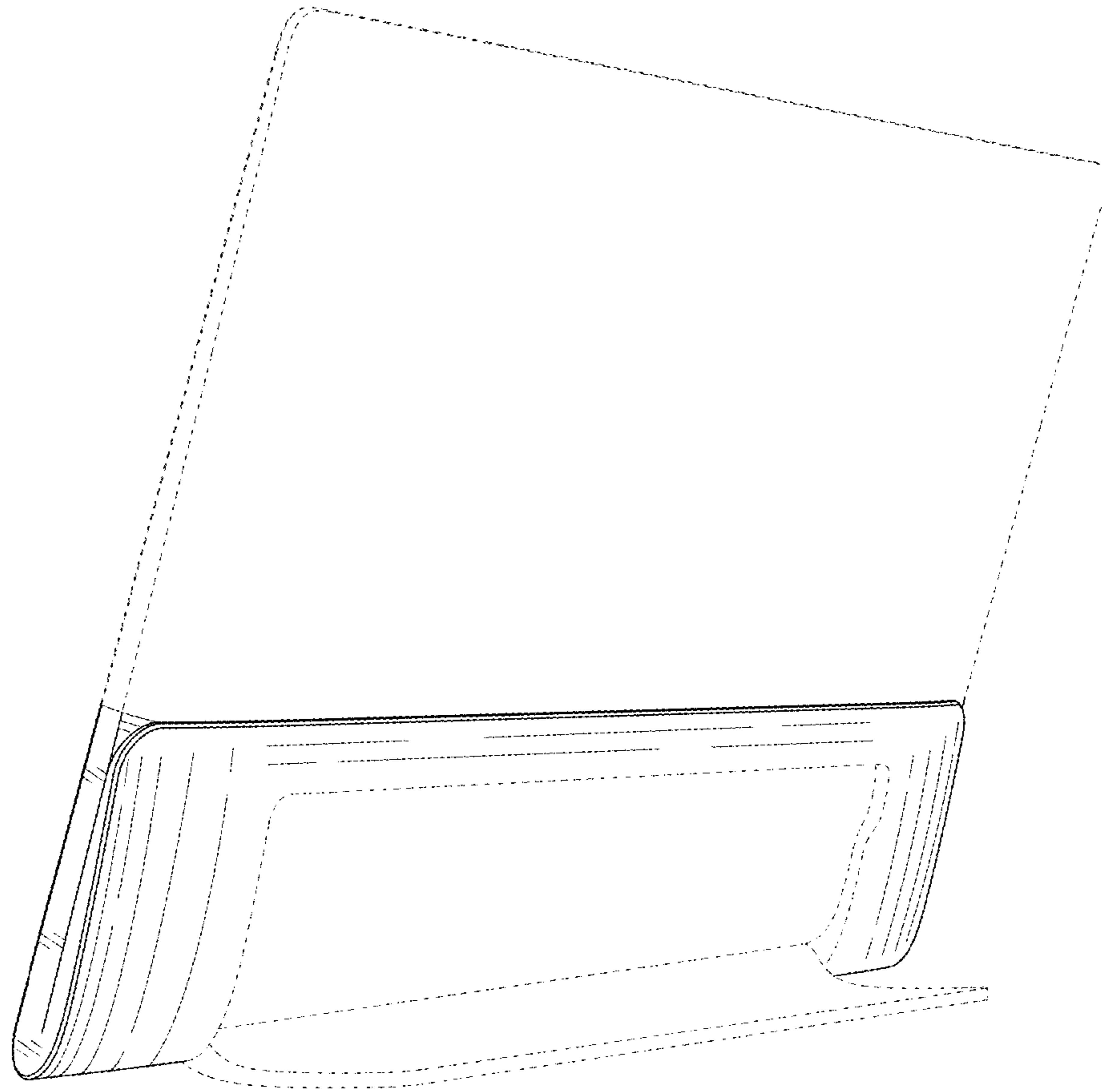


Figure 10