



US00D768130S

(12) **United States Design Patent** (10) **Patent No.:** **US D768,130 S**  
**Bonini et al.** (45) **Date of Patent:** **\*\* Oct. 4, 2016**

(54) **APPARATUS FOR RECORDING,  
TRANSMITTING OR PROCESSING OF  
INFORMATION**

(71) Applicant: **Enerlife S.r.l.**, Trieste (IT)

(72) Inventors: **Fabio Bonini**, Genoa (IT); **Francesco Puccinelli**, Montuolo (IT)

(73) Assignee: **Enerlife S.r.l.**, Trieste (IT)

(\*\*) Term: **14 Years**

(21) Appl. No.: **29/518,589**

(22) Filed: **Feb. 25, 2015**

(30) **Foreign Application Priority Data**

Aug. 28, 2014 (EP) ..... 002527036-0001

(51) **LOC (10) Cl.** ..... **14-02**

(52) **U.S. Cl.**  
USPC ..... **D14/358**

(58) **Field of Classification Search**

USPC ..... D14/300, 314, 217, 348, 349, 353, 355,  
D14/356, 357, 358, 363-370, 439, 125, 137,  
D14/155, 167, 188, 230, 240, 242, 496;  
D13/123, 133, 162, 162.1, 168, 173,  
D13/184, 199

CPC ..... H04B 1/03; H04B 1/034; H04B 1/06;  
H04B 1/08; H04B 1/082; H04B 1/086;  
H04B 1/088; H04B 1/20; H04B 1/207;  
H04B 1/38; G06F 1/1683; G06F 1/1684;  
G06F 1/1696; G06F 1/1698; H01R 31/06;  
H01R 31/065; H04M 1/0214; H04M 1/0262;  
H04M 1/0297; H04M 1/04

See application file for complete search history.

(56) **References Cited**

**U.S. PATENT DOCUMENTS**

D355,653 S \* 2/1995 Brandt ..... D14/149  
5,761,612 A \* 6/1998 Read ..... H04B 1/088  
455/351

D404,736 S \* 1/1999 Alvarez ..... D14/225  
D417,871 S \* 12/1999 Hisatsune ..... D14/188  
D433,642 S \* 11/2000 Bauman ..... D10/104.1  
D437,311 S \* 2/2001 Nam ..... D14/227  
D471,540 S \* 3/2003 Tomino ..... D14/240  
D477,304 S \* 7/2003 Isaacs ..... D14/188  
D489,369 S \* 5/2004 Sasaki ..... D14/358  
D496,346 S \* 9/2004 Fuss ..... D14/188  
D514,563 S \* 2/2006 Kuramashi ..... D14/349  
D583,814 S \* 12/2008 Maiers ..... D14/356  
D585,439 S \* 1/2009 Ching ..... D14/300  
D587,708 S \* 3/2009 Yoshida ..... D14/358  
D597,075 S \* 7/2009 Irii ..... D14/214  
D598,436 S \* 8/2009 Tseng ..... D14/240  
D607,443 S \* 1/2010 Klein ..... D14/240  
D608,339 S \* 1/2010 Sanders ..... D14/188  
D611,462 S \* 3/2010 McGuire ..... D14/240  
D613,727 S \* 4/2010 Xie ..... D14/240  
D616,425 S \* 5/2010 Hsia ..... D14/240  
D640,237 S \* 6/2011 Lim ..... D14/214

(Continued)

*Primary Examiner* — Susan Bennett Hattan

*Assistant Examiner* — Marie Fast Horse

(74) *Attorney, Agent, or Firm* — Stradley Ronon Stevens  
& Young, LLP

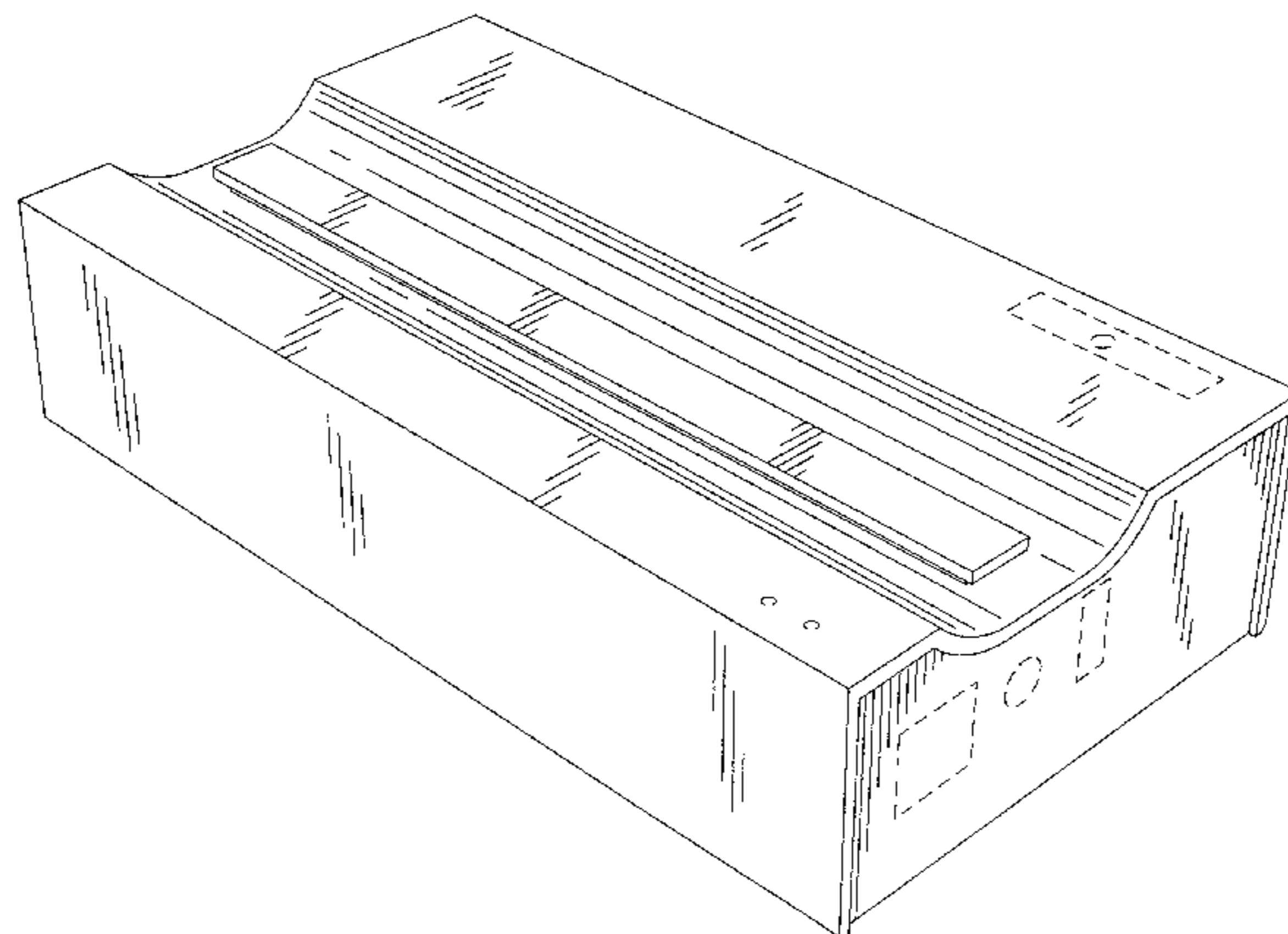
(57) **CLAIM**

The ornamental design for an apparatus for recording,  
transmitting or processing information, substantially as  
shown and described.

**DESCRIPTION**

FIG. 1 is a first perspective view of an apparatus;  
FIG. 2 is a second perspective view of the apparatus;  
FIG. 3 is a top view of the apparatus;  
FIG. 4 is a bottom view of the apparatus;  
FIG. 5 is a front view of the apparatus;  
FIG. 6 is a rear view of the apparatus; and,  
FIG. 7 is side view of the apparatus.  
Broken lines in the drawings are shown for illustration  
purposes and form no part of the claimed design.

**1 Claim, 6 Drawing Sheets**



# US D768,130 S

Page 2

---

(56)

## References Cited

### U.S. PATENT DOCUMENTS

D642,565 S *	8/2011	Demskie .....	D14/358	
D733,708 S *	7/2015	Chen .....	D14/240	* cited by examiner
D734,752 S *	7/2015	Chen .....	D14/420	
2013/0038728 A1 *	2/2013	Kim .....	H04N 5/2256 348/143	

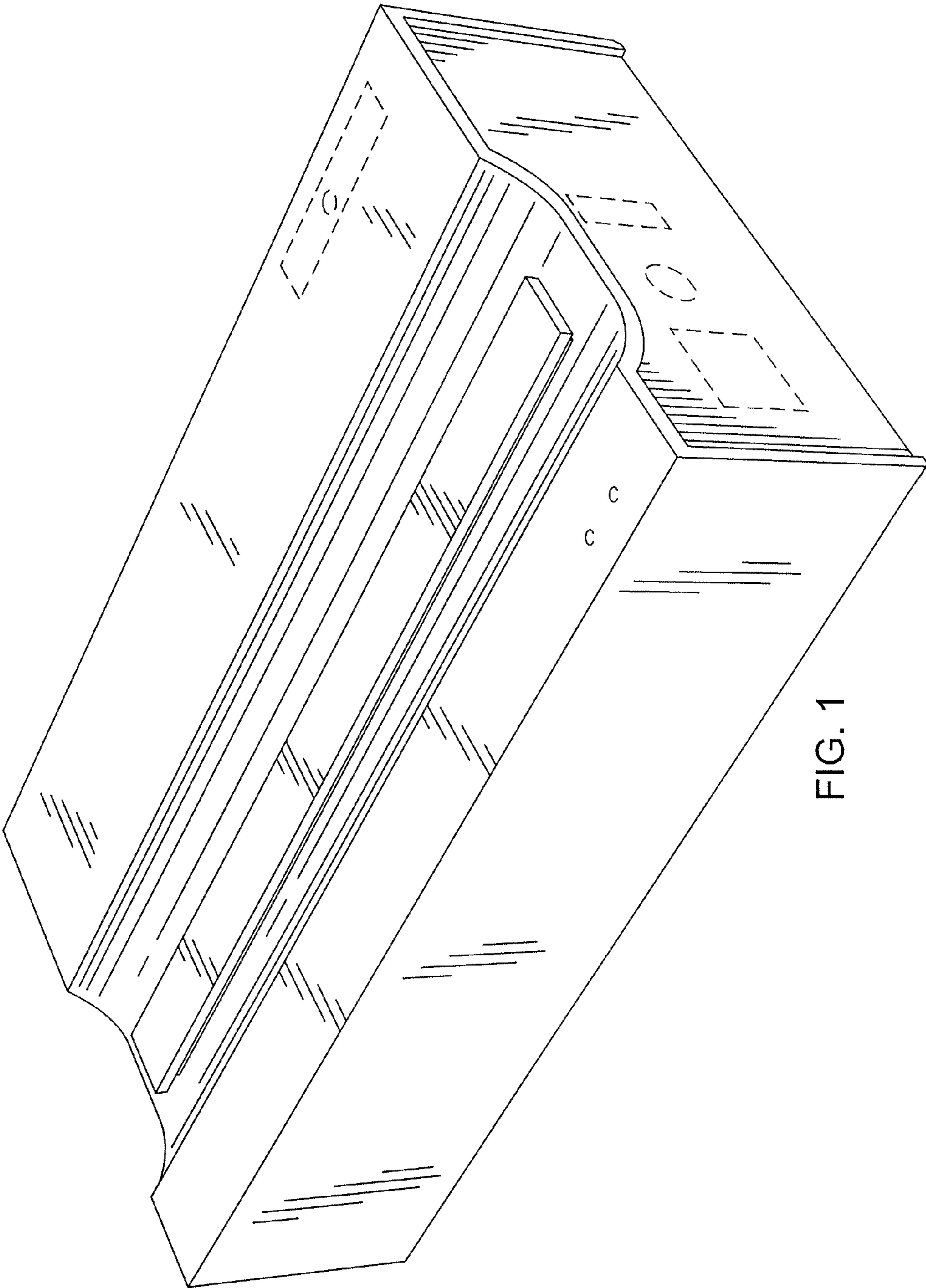


FIG. 1

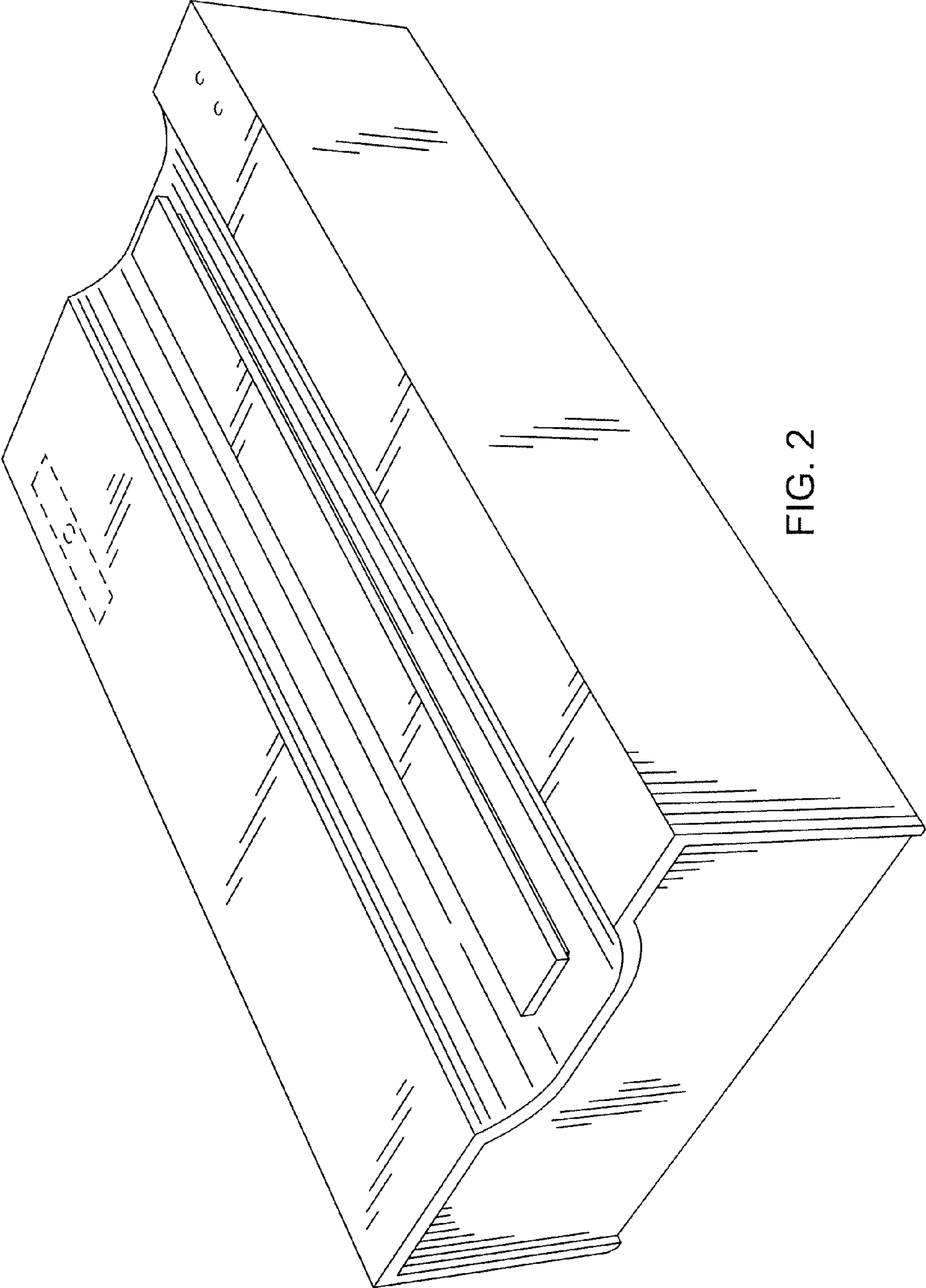


FIG. 2



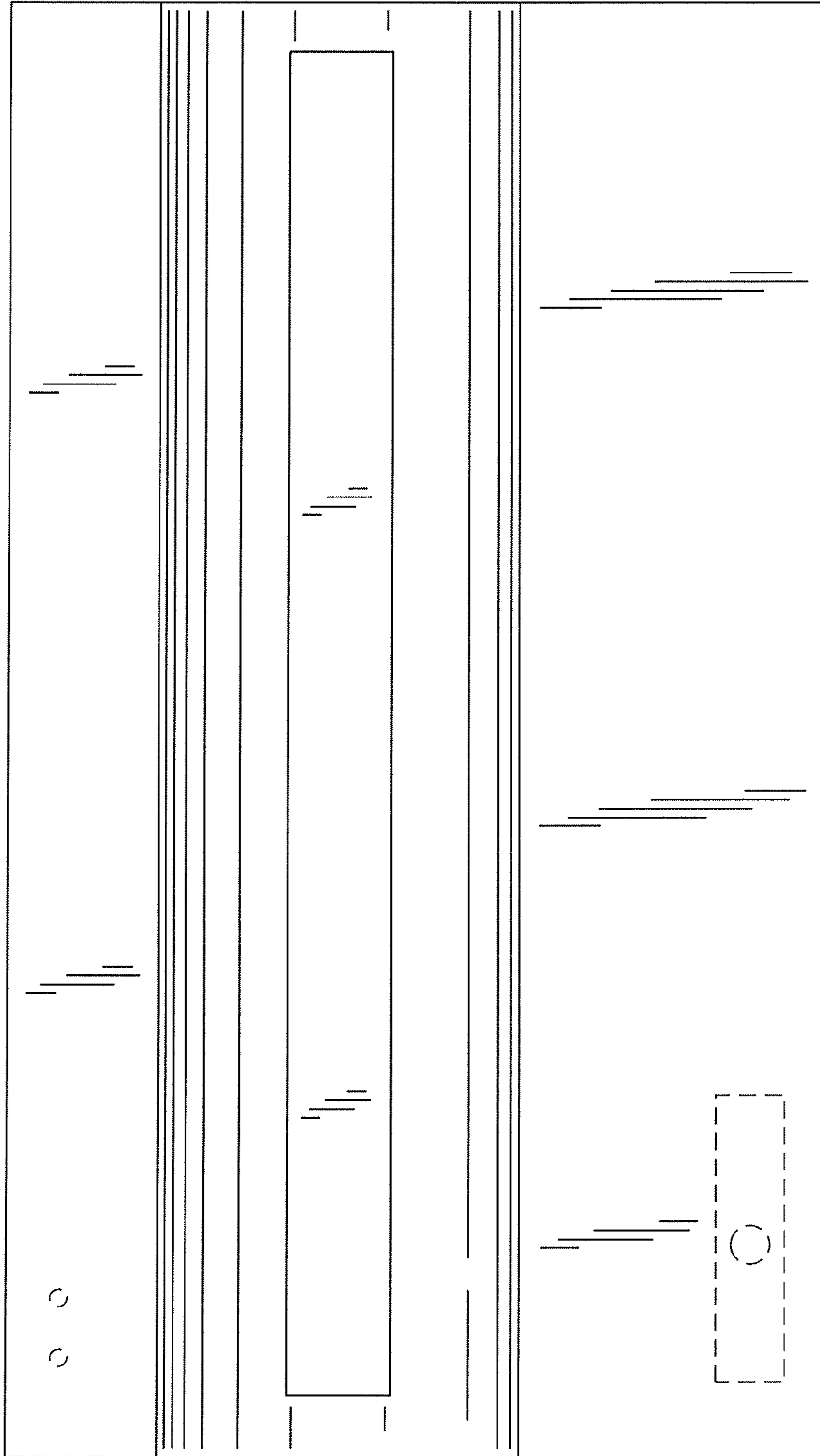


FIG. 3

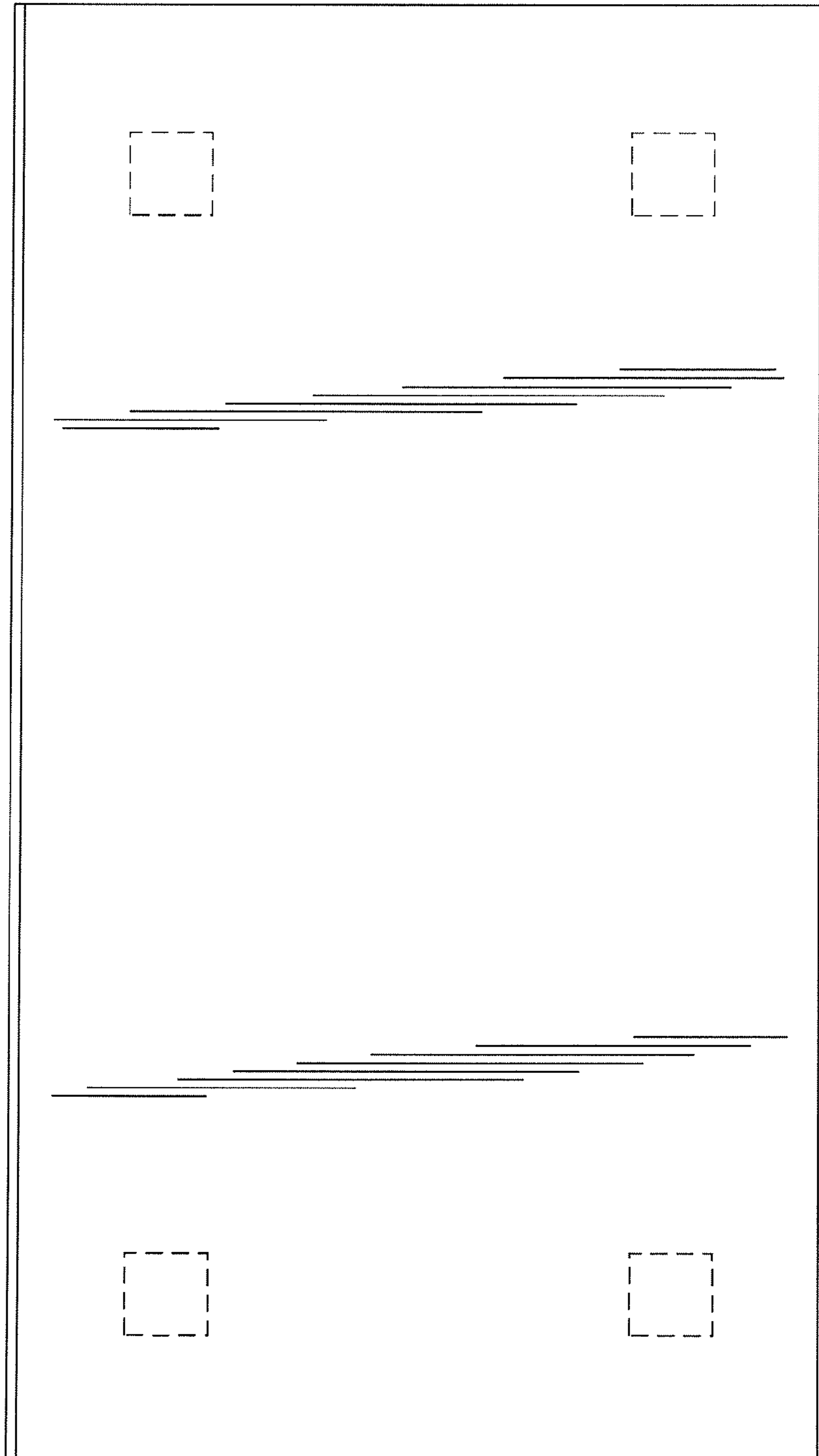


FIG. 4

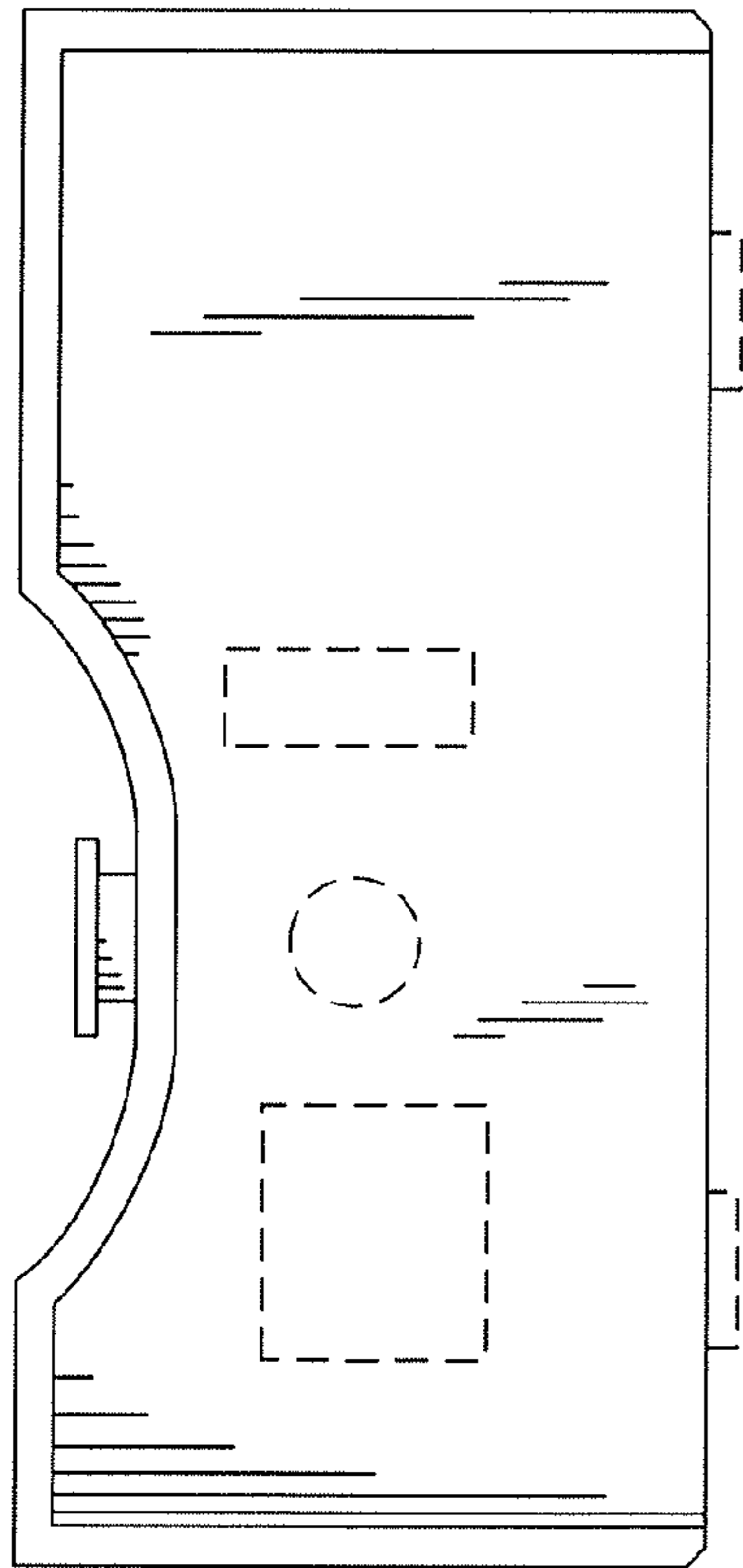


FIG. 5

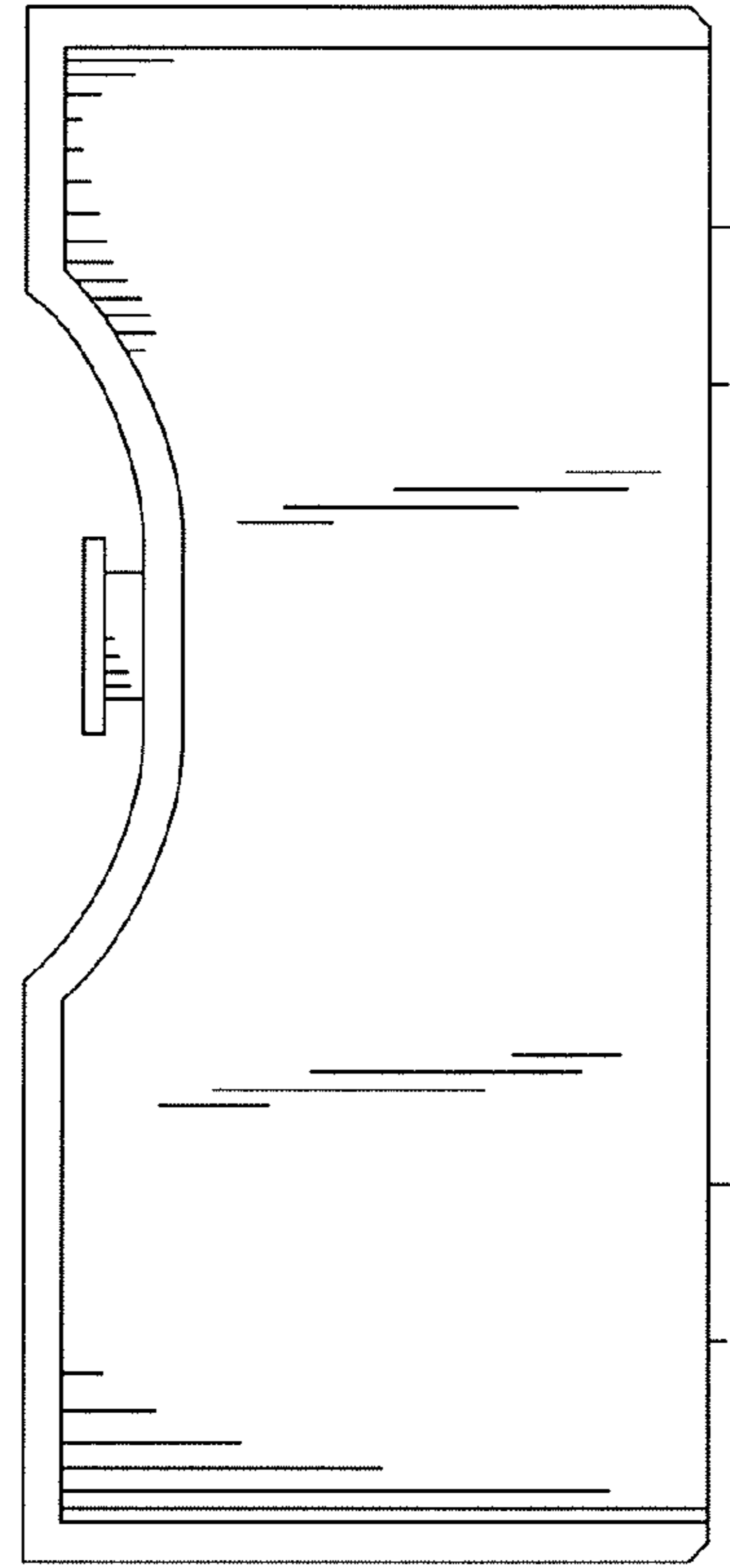


FIG. 6

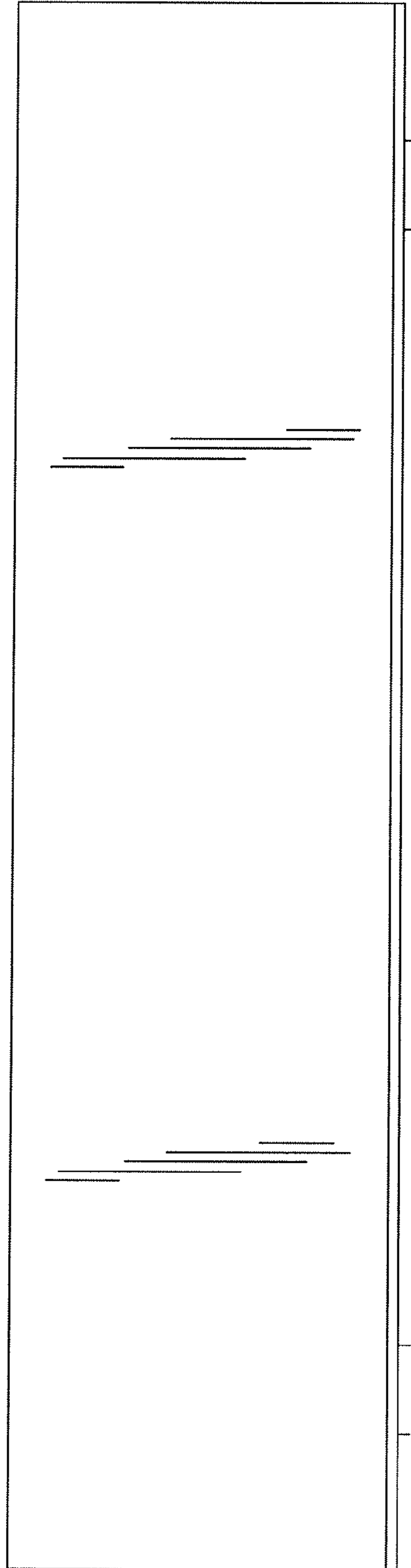


FIG. 7