

US00D768127S

(12) **United States Design Patent** (10) **Patent No.:** **US D768,127 S**
Desch et al. (45) **Date of Patent:** **** *Oct. 4, 2016**

(54) **WIRELESS COMMUNICATION DEVICE**

(71) Applicant: **IRIDIUM SATELLITE LLC**,
McLean, VA (US)
(72) Inventors: **Matthew Desch**, McLean, VA (US);
Joel Thompson, Leesburg, VA (US);
Joshua Miner, Potomac Falls, VA
(US); **Greg Incoll**, Melbourne (AU);
David Inglese, Melbourne (AU);
Michael Capocchi, Melbourne (AU);
John Nielsen, Melbourne (AU); **Allan**
Hooworth, Melbourne (AU)

(73) Assignee: **Iridium Satellite LLC**, McLean, VA
(US)

(*) Notice: This patent is subject to a terminal dis-
claimer.

(**) Term: **14 Years**

(21) Appl. No.: **29/489,652**

(22) Filed: **May 1, 2014**

(51) **LOC (10) Cl.** **14-02**

(52) **U.S. Cl.**
USPC **D14/341**

(58) **Field of Classification Search**
USPC D14/341-347, 137, 138 R, 138 AA, 496,
D14/203.1, 203.3, 203.4, 203.7, 388, 426,
D14/440; D21/324, 329, 330, 332;
248/917-924; 463/37; 455/556.1, 557,
455/566, 575.1, 90.3; 375/220; 379/433.01,
379/433.04, 433.06; 345/173, 905;
343/700 R; 361/600

CPC H01Q 1/084; H01Q 21/24; H01Q 3/08;
H04M 1/0202; G06F 1/1601; G06F 1/1613;
G06F 1/1624; G06F 3/0488

See application file for complete search history.

(56) **References Cited**

U.S. PATENT DOCUMENTS

D439,232 S * 3/2001 Ledingham D14/144
D467,916 S * 12/2002 Tischer D14/345

(Continued)

OTHER PUBLICATIONS

“DeLorme InReach Satellite Messenger Review” Personal Locator
Beacons, Outdoor Gearlab [http://www.outdoorgearlab.com/Per-
sonal-Locator-Beacon-Reviews/DeLorme-InReach-Satellite-Mes-
senger](http://www.outdoorgearlab.com/Personal-Locator-Beacon-Reviews/DeLorme-InReach-Satellite-Messenger) [Mar. 19, 2014 11:59:16 AM] 9 pages. Mar. 19, 2014.

(Continued)

Primary Examiner — Eric Goodman

Assistant Examiner — Clese Moore, Jr.

(74) *Attorney, Agent, or Firm* — Baker Botts L.L.P.

(57) **CLAIM**

The ornamental design for a wireless communication
device, as shown and described.

DESCRIPTION

FIG. 1 is a front perspective view of the wireless commu-
nication device;

FIG. 2 is a front perspective view of the wireless commu-
nication device;

FIG. 3 is a rear perspective view of the wireless communi-
cation device;

FIG. 4 is a front view of the wireless communication device;

FIG. 5 is a rear view of the wireless communication device;

FIG. 6 is a bottom view of the wireless communication
device;

FIG. 7 is a top view of the wireless communication device;

FIG. 8 is a top view of the wireless communication device;

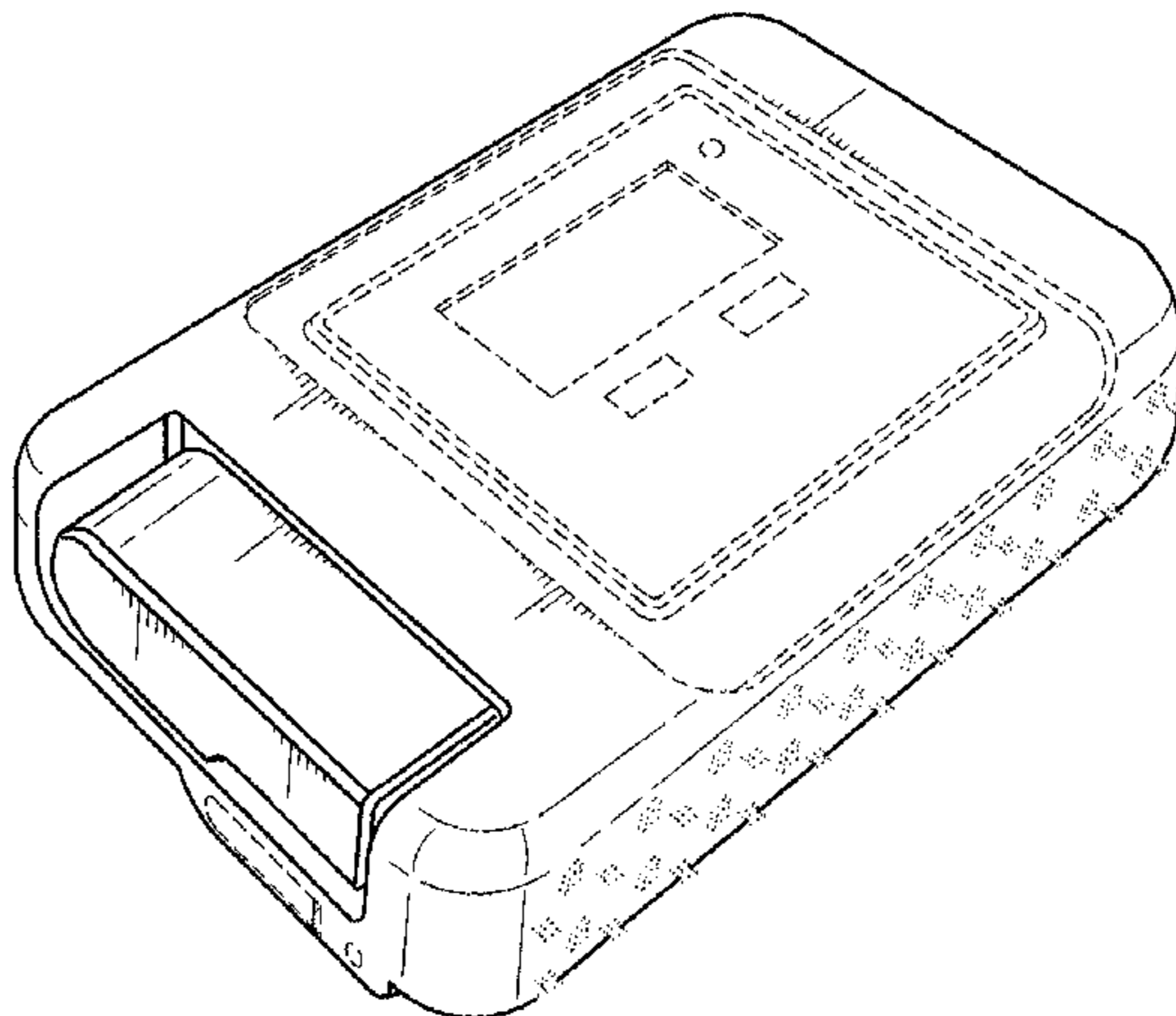
FIG. 9 is a right side view of the wireless communication
device;

FIG. 10 is a left side view of the wireless communication
device; and,

FIG. 11 is a left side view of the wireless communication
device.

The broken lines shown illustrate portions of the wireless
communication device that form no part of the claimed
design.

1 Claim, 5 Drawing Sheets



(56)

References Cited

U.S. PATENT DOCUMENTS

D467,917	S *	12/2002	Tischer	D14/345
D491,560	S *	6/2004	Hsu Li	D14/371
D510,734	S *	10/2005	Christianson	D14/155
D587,265	S *	2/2009	Maiers	D14/480.6
D601,139	S *	9/2009	Huang	D14/341
D601,557	S *	10/2009	Wesolek	D14/341
D686,198	S *	7/2013	Lewis	D14/240
D694,751	S *	12/2013	Ju	D14/341
D703,666	S *	4/2014	McLean	D14/341
D710,350	S *	8/2014	Steiger	D14/341
D711,359	S *	8/2014	Marzynski	D14/240
D734,749	S *	7/2015	Chen	D14/341
D738,876	S *	9/2015	Hwang	D14/341
2007/0279298	A1 *	12/2007	Leeng	H01Q 1/084 343/702
2011/0320611	A1 *	12/2011	Inada	H04W 76/02 709/227
2013/0257680	A1 *	10/2013	Nix	H01Q 1/007 343/876

OTHER PUBLICATIONS

Review by Joe Mehaffey and Jack Yeazel, “Garmin’s GPS-V Mapping GPS Receiver with Automatic address to address routing,” Revision 26, <http://gpsinformation.net/gps5/g5review.htm> [Mar. 19, 2014 3:15:40 PM], 11 pages. Jul. 26, 2002.
 “Introducing the GPSMAP 64 Series Updating Popular Outdoor Handheld,” [http://garmin.blogs.com/my_weblog/2014/01/garmin-](http://garmin.blogs.com/my_weblog/2014/01/garmin-introduces-gpsmap-64-series-updating_-_popular-outdoor-hand-held.trm)

[introduces-gpsmap-64-series-updating_-_popular-outdoor-hand-held.trm](http://garmin.blogs.com/my_weblog/2014/01/garmin-introduces-gpsmap-64-series-updating_-_popular-outdoor-hand-held.trm) [Mar. 19, 2014 12:06:53 PM], 4 pages. Jan. 13, 2014.
 D-Link N150 802.11g/n. 2.4Ghz Wireless Router—Black, <http://dx.com/p/n150-802-11g-n2-4ghz-wireless-router-black-116720> [Mar. 19, 2014 4:04:28 PM], 4 pages. Mar. 19, 2014.
 Robert Goyer, Stevens Aviation “Garman GPS Map 196,” 2 pages. Oct. 1, 2002.
 “Linksys WRV200”PC Mag.com <http://www.pcmag.com/article2/0,2817,2336934,00.asp> [3:37:22 PM], 3 pages. Mar. 19, 2014.
 GPS Tracklog “Garmin GPSMAP 62st” <http://gpstracklog.com/2010/08/garin-gpsmap-62st-review.html> [Mar. 19, 2014 12:07:49 PM], 23 pages. Aug. 10, 2010.
 Huawei D100 Router: A Router with a Difference—Gadget Review, <http://www.gadgetreview.com/2008/12/huawei-d100-router-a-router-with-a-difference.html>, 7 pages. Dec. 2, 2008.
 Wolfgang Gruener May 31, 2012 Tom’s Guide, “The Iridium 9575 Extreme Satellite hone Hands-on Review: The Ultimate Phone Anywhere on the Planet” [http://www.tomsguide.com / . . . ,news-1520.htm1#iridium-9575-extreme%2Cnews-15230.html?&_suid=139524440505908007632003707806](http://www.tomsguide.com/. . . ,news-1520.htm1#iridium-9575-extreme%2Cnews-15230.html?&_suid=139524440505908007632003707806) [Mar. 19, 2014 11:54:42], 16 pages. May 31, 2012.
 VIKAPPROVED Bikes Rides and Gear Reviews . . . “Delorme Inreach SE Review . . .” <http://vikapproved.wordpress.com/2013/10/02/delorme-inreach-se-review/> [Mar. 19, 2014 12:01:30 PM], 25 pages. Oct. 2, 2013.
 Liberty Mountain, Everything for the Outdoors, “Pieps Global Finder,” <http://everythingfortheoutdoors.blogspot.com/2012/08/pieps-global-finder.html> [Mar. 19, 2014 4:57:10 PM], 6 pages. Aug. 13, 2012.

* cited by examiner

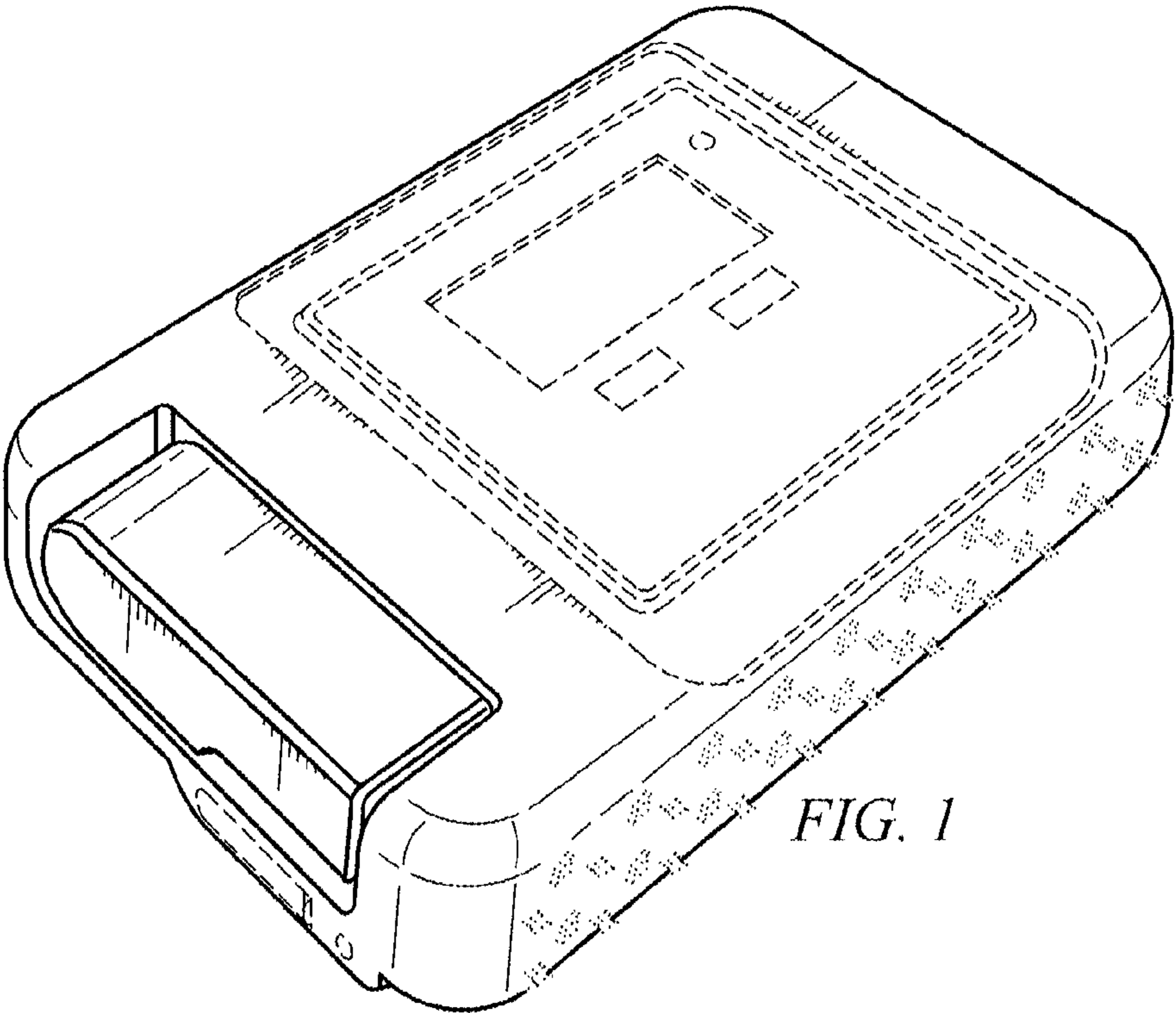


FIG. 1

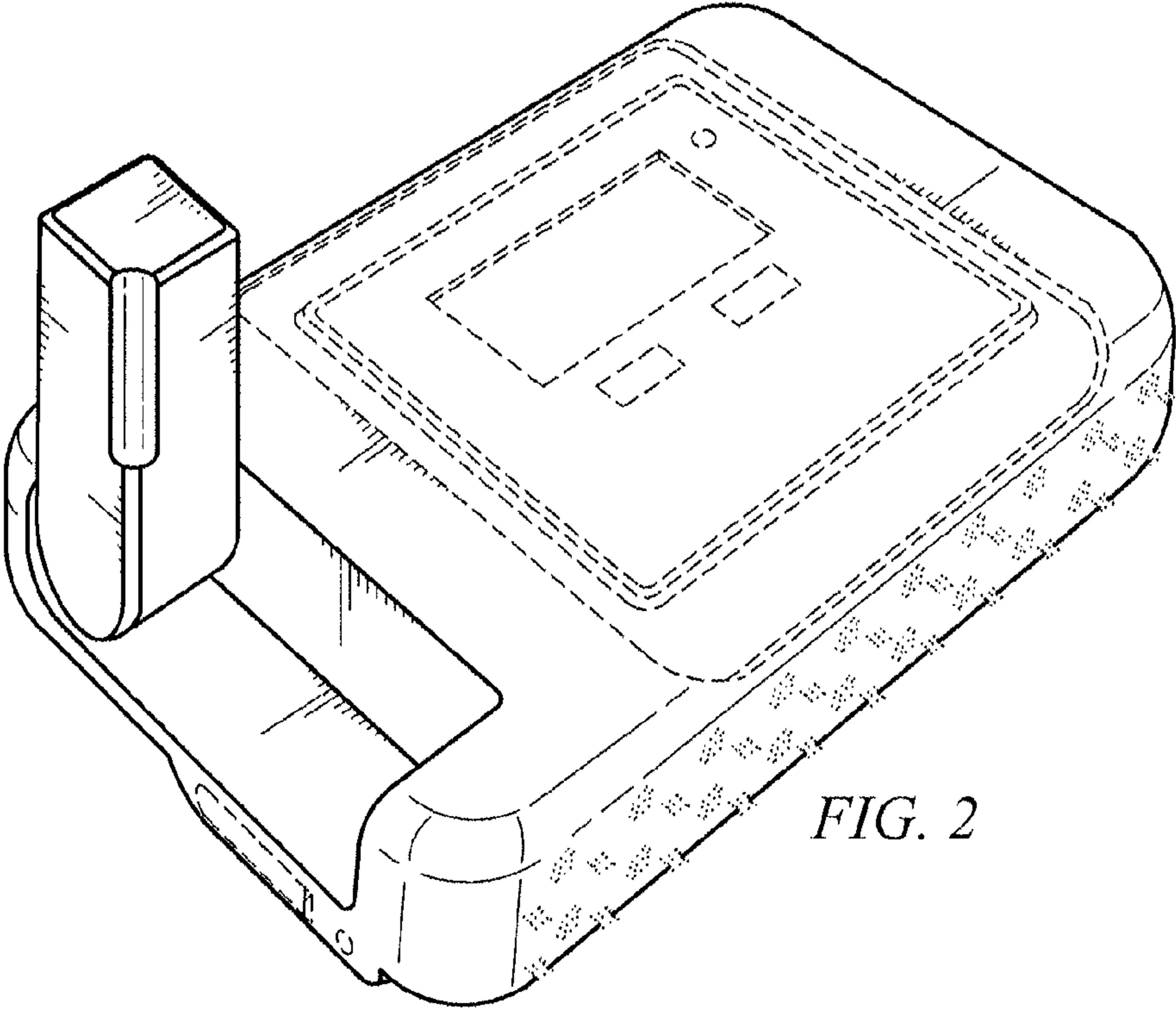


FIG. 2

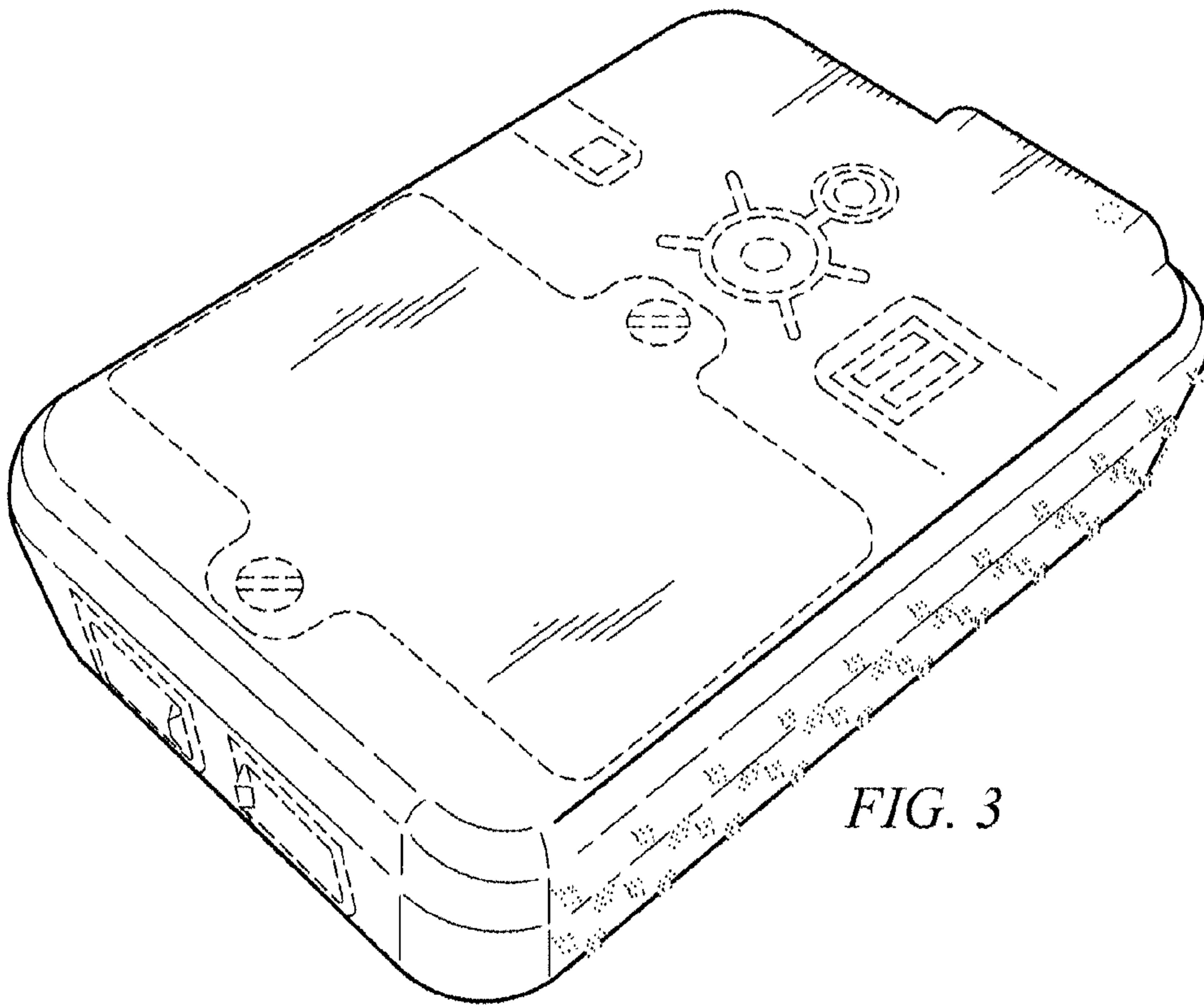


FIG. 3

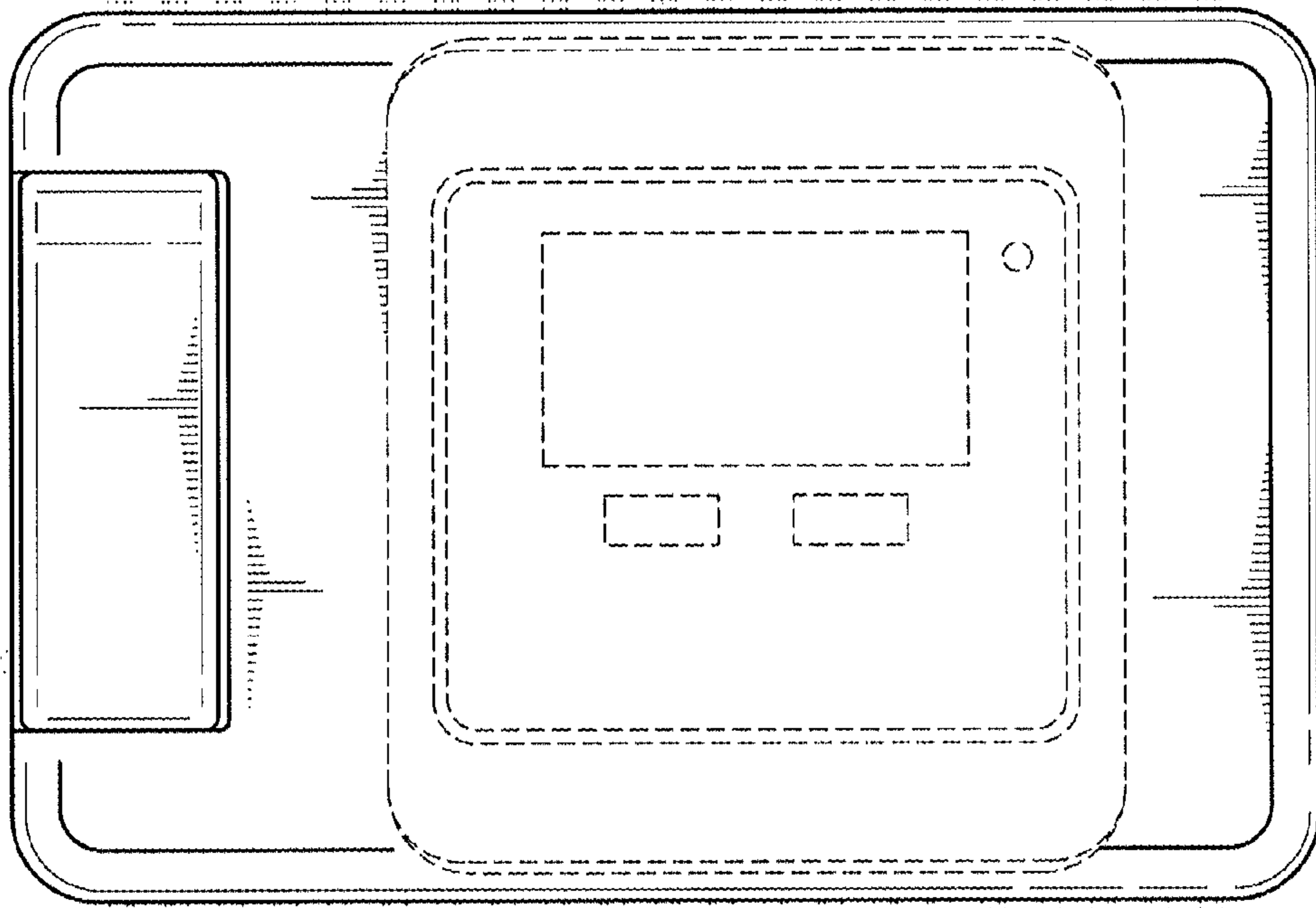


FIG. 4

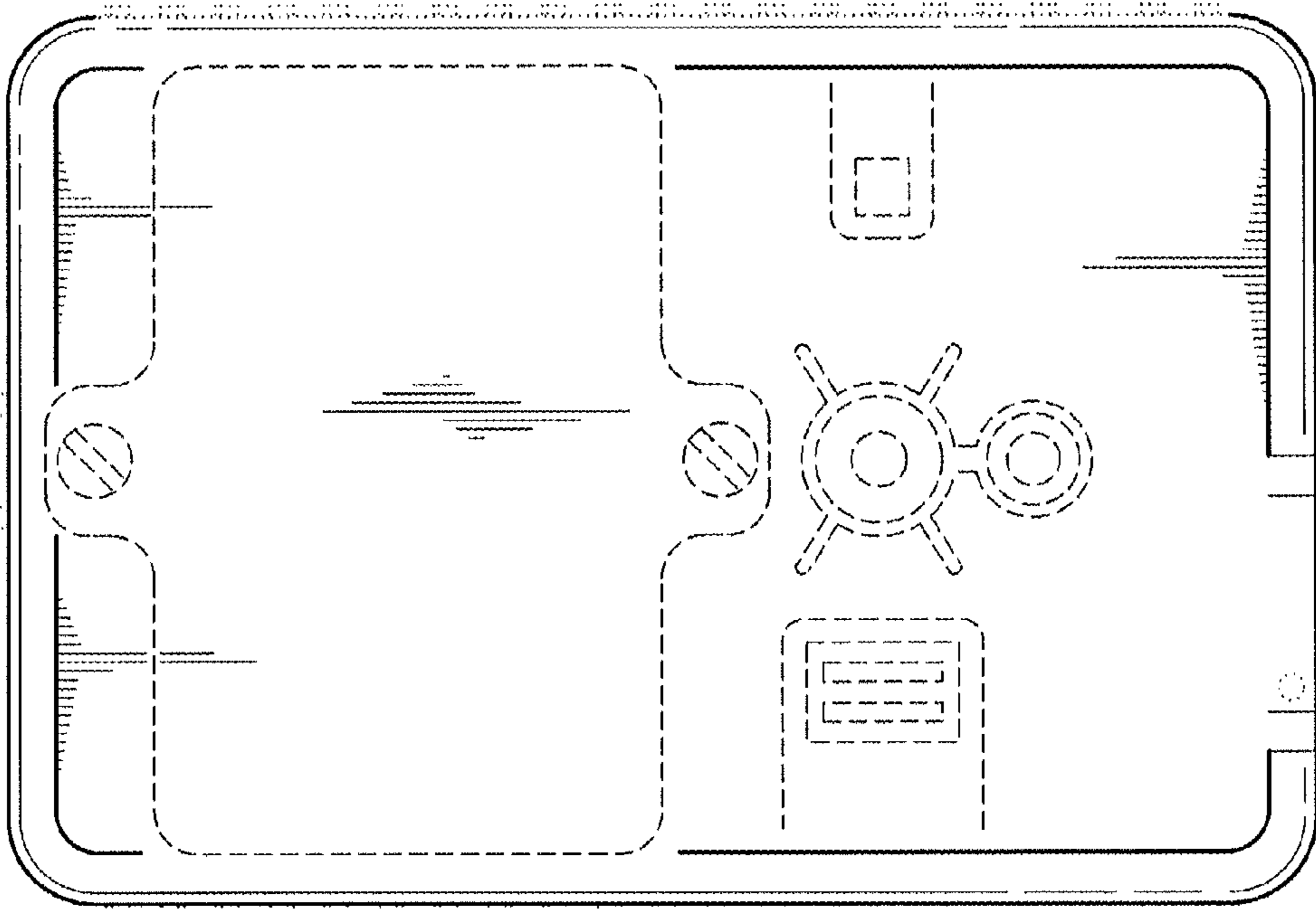


FIG. 5

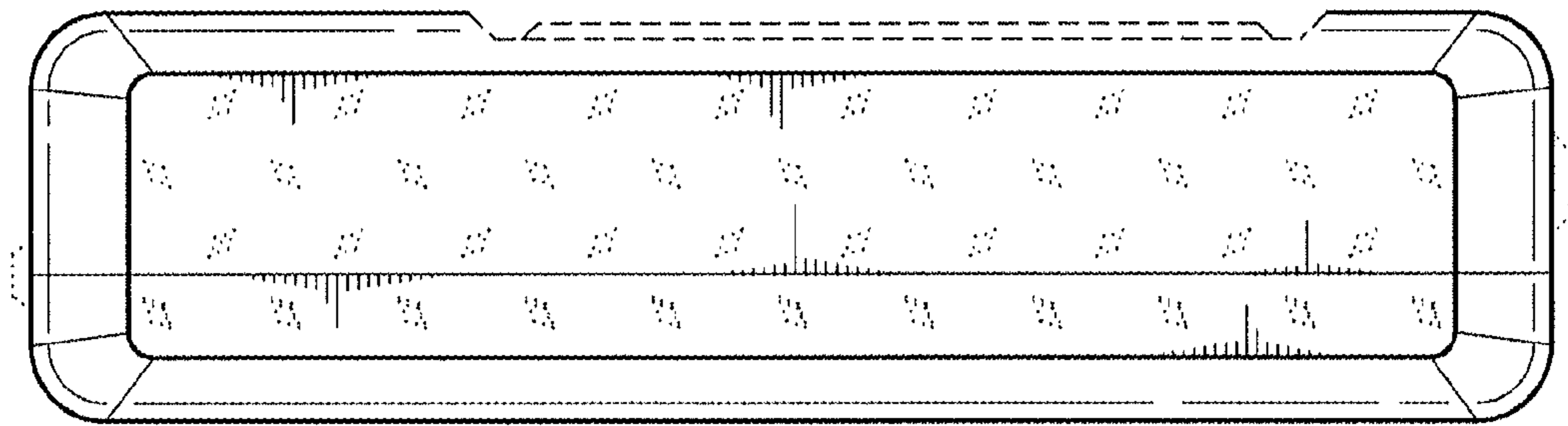


FIG. 6

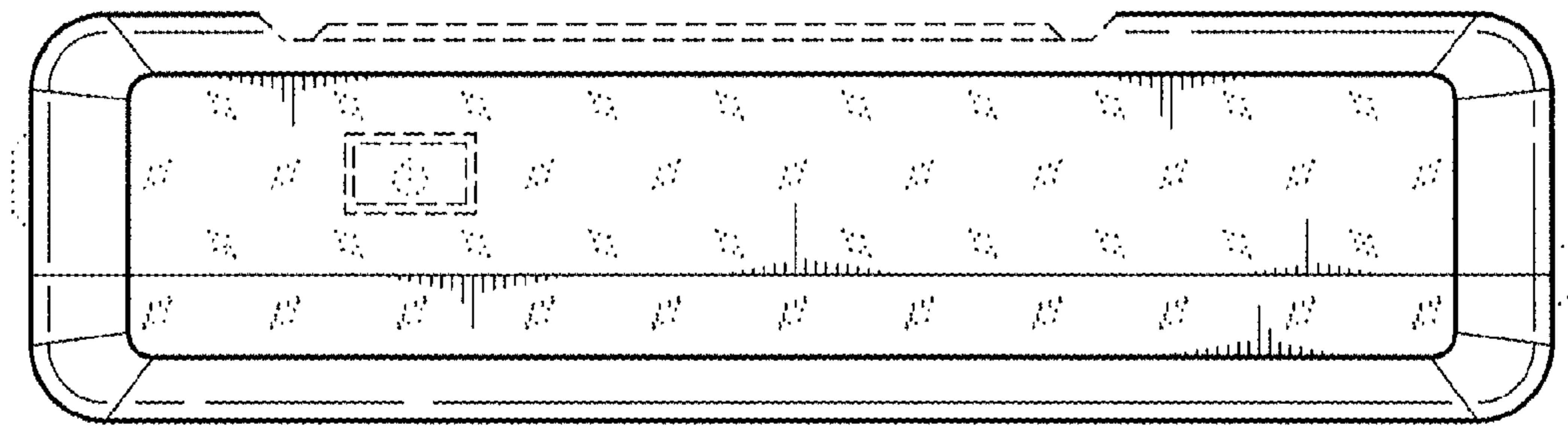


FIG. 7

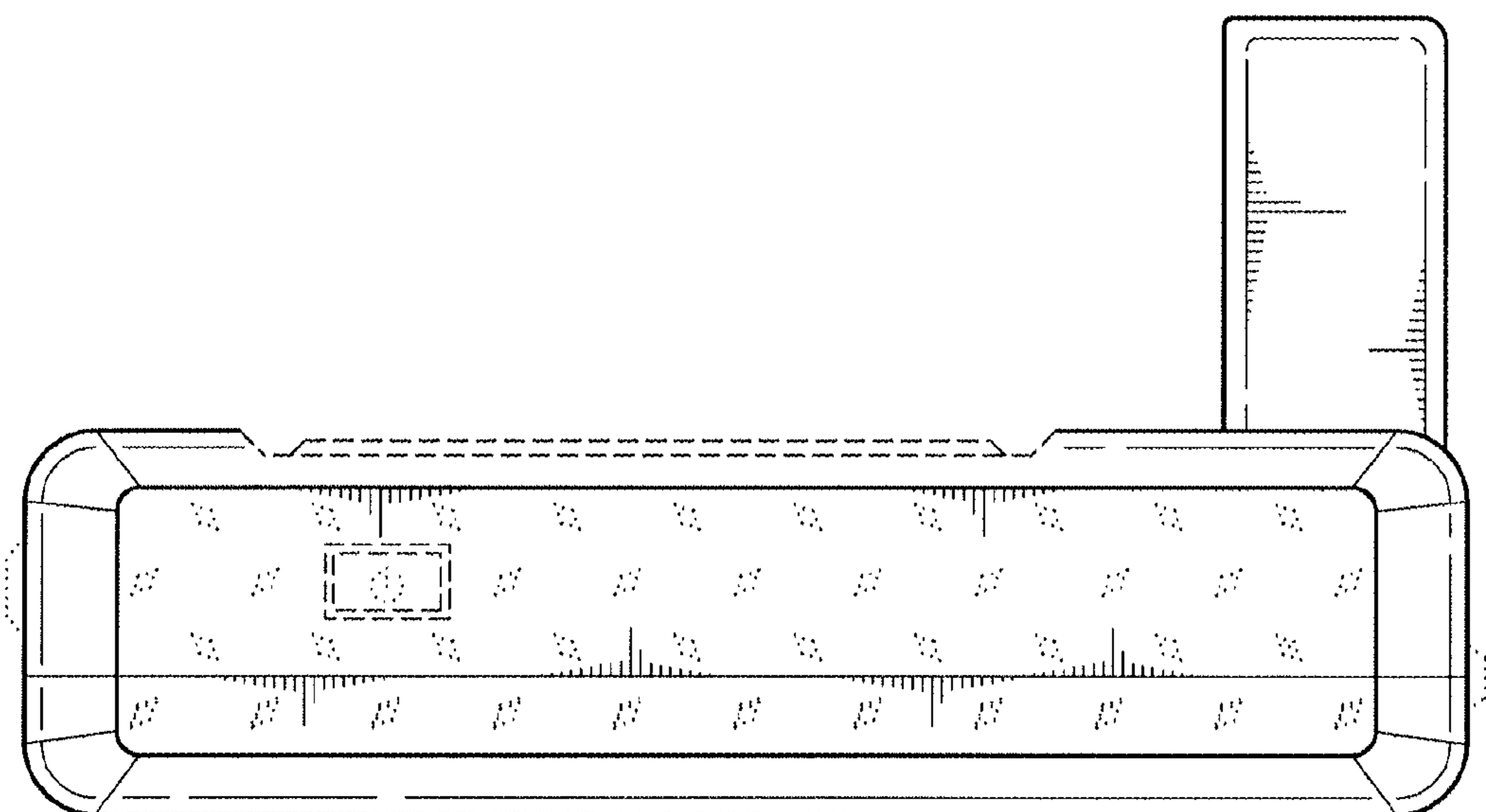


FIG. 8

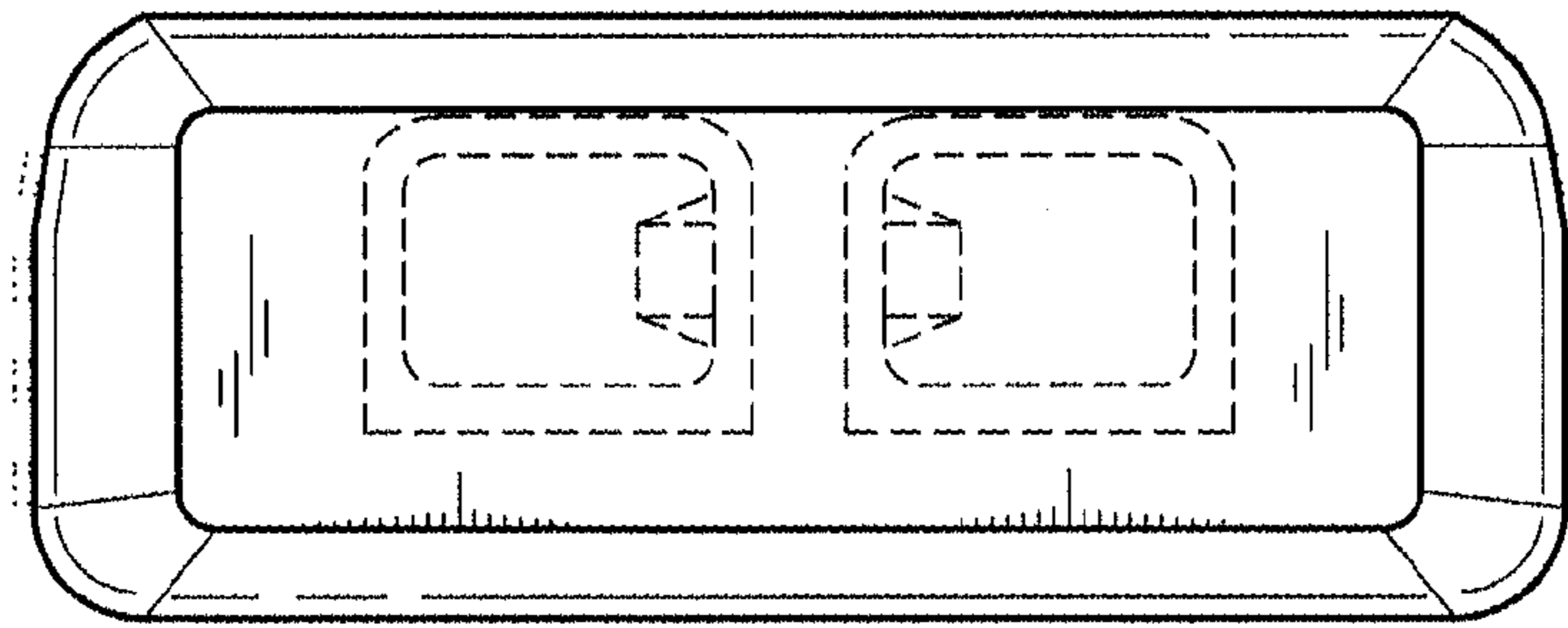


FIG. 9

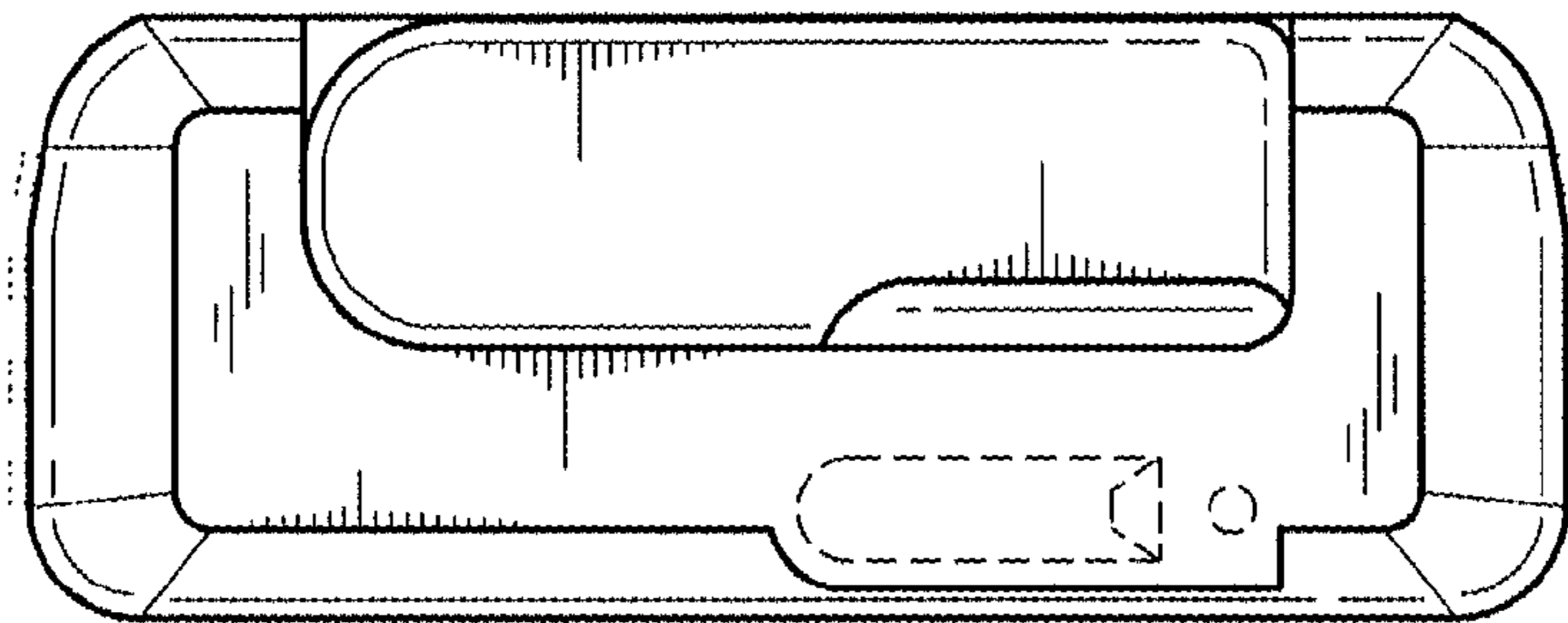


FIG. 10

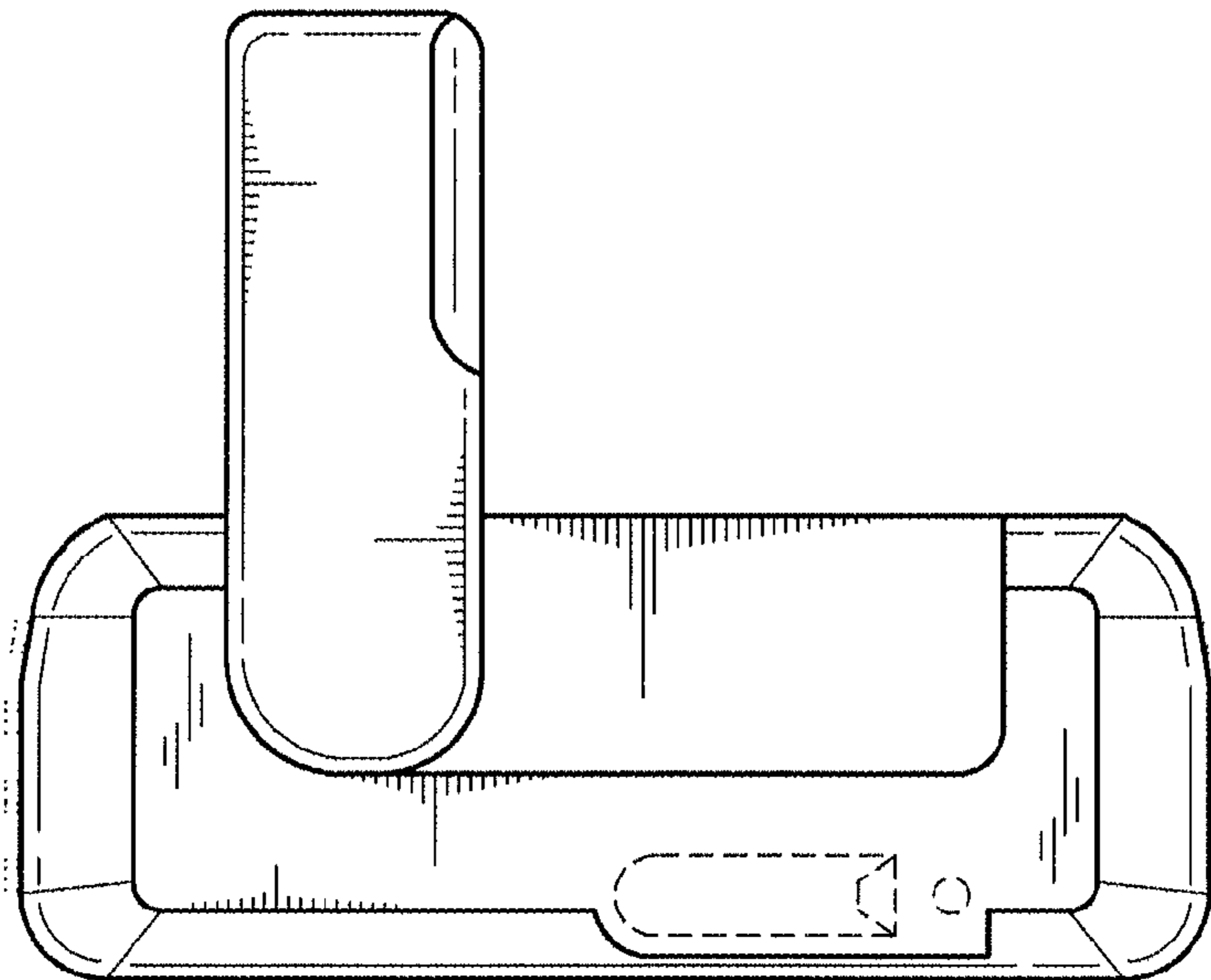


FIG. 11