



US00D768125S

(12) **United States Design Patent**
Kim

(10) **Patent No.:** **US D768,125 S**

(45) **Date of Patent:** **** Oct. 4, 2016**

(54) **HOLDER FOR SMART PHONE OR THE LIKE**

(71) Applicant: **NINE BRIDGE, INC.**, Uiwang-si, Gyeonggi-do (KR)

(72) Inventor: **Soo Jong Kim**, Anyang-si (KR)

(73) Assignee: **NINE BRIDGE, INC.**, Uiwang-si (KR)

(**) Term: **15 Years**

(21) Appl. No.: **29/530,338**

(22) Filed: **Jun. 16, 2015**

(30) **Foreign Application Priority Data**

Jan. 30, 2015 (KR) 30-2015-0005280

Jan. 30, 2015 (KR) 30-2015-0005281

(51) **LOC (10) Cl.** **14-03**

(52) **U.S. Cl.**
USPC **D14/253**

(58) **Field of Classification Search**
USPC D8/367, 354, 349, 356, 368, 250, 381, D8/323; D6/546, 524; 248/205.1; D14/251, 240, 217, 496, 440, 423, 447, D14/439, 432, 300, 253
CPC A62B 1/00; A62B 7/00; A45F 5/02; H04M 1/06; H04M 1/11; H04M 1/04; H04M 1/00

See application file for complete search history.

(56) **References Cited**

U.S. PATENT DOCUMENTS

D721,074 S *	1/2015	Harris	D14/253
D738,873 S *	9/2015	Kim	D14/253
D750,612 S *	3/2016	Chen	D14/253
D753,643 S *	4/2016	Kim	D14/253
D756,346 S *	5/2016	Kim	D14/253

* cited by examiner

Primary Examiner — Cynthia Underwood

(74) *Attorney, Agent, or Firm* — Sughrue Mion, PLLC

(57) **CLAIM**

The ornamental design for a holder for smart phone or the like, as shown and described.

DESCRIPTION

FIG. 1 is a perspective view of a holder for smart phone or the like;

FIG. 2 is a left elevational side view thereof;

FIG. 3 is a right elevational side view thereof;

FIG. 4 is a front view thereof;

FIG. 5 is a rear view thereof;

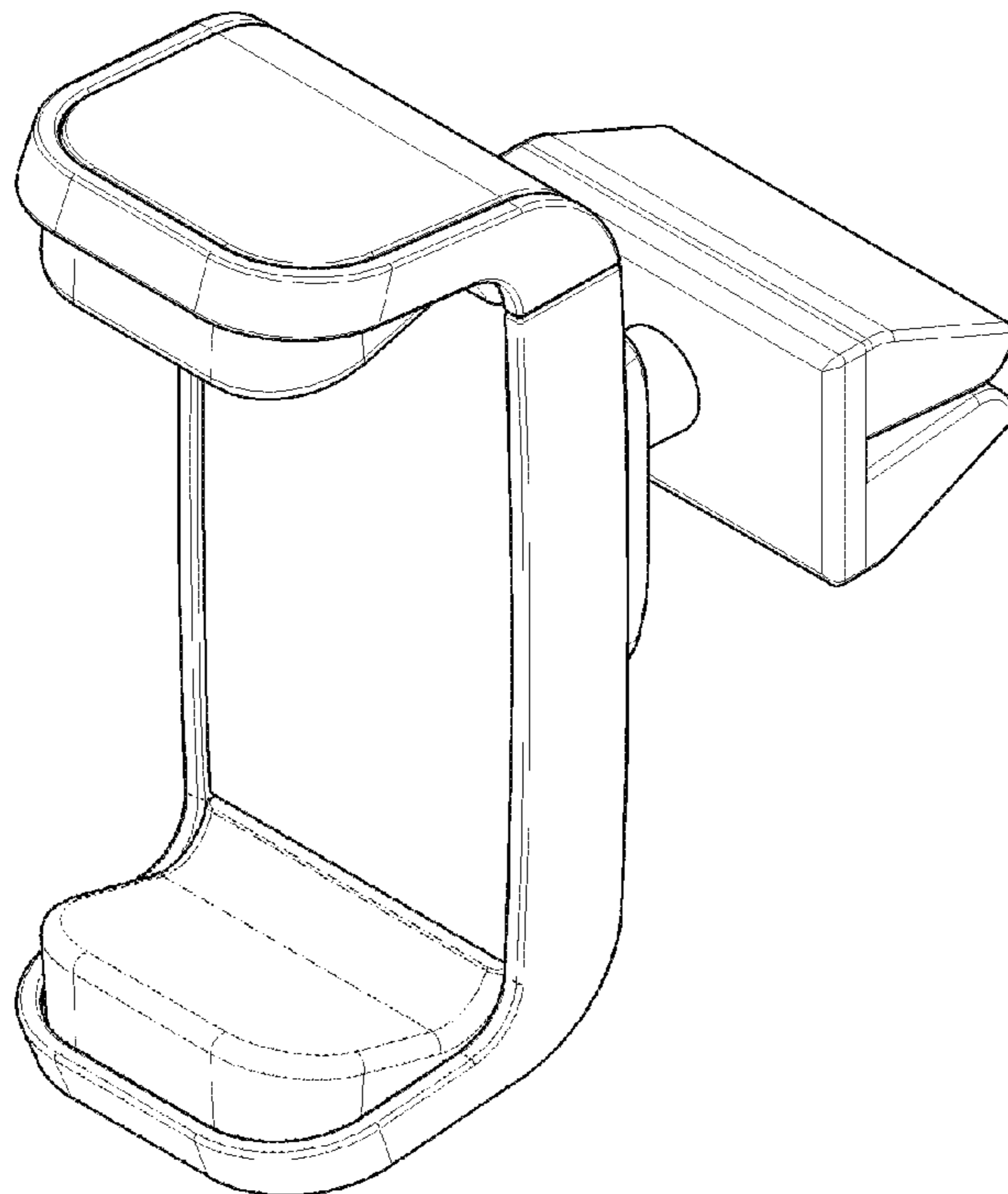
FIG. 6 is a top plan view thereof;

FIG. 7 is a bottom plan view thereof; and,

FIG. 8 is a reduced in scale perspective view showing the holder for smart phone or the like installed in a car.

The broken lines in the drawing figures depict unclaimed environment and form no part of the claimed design.

1 Claim, 8 Drawing Sheets



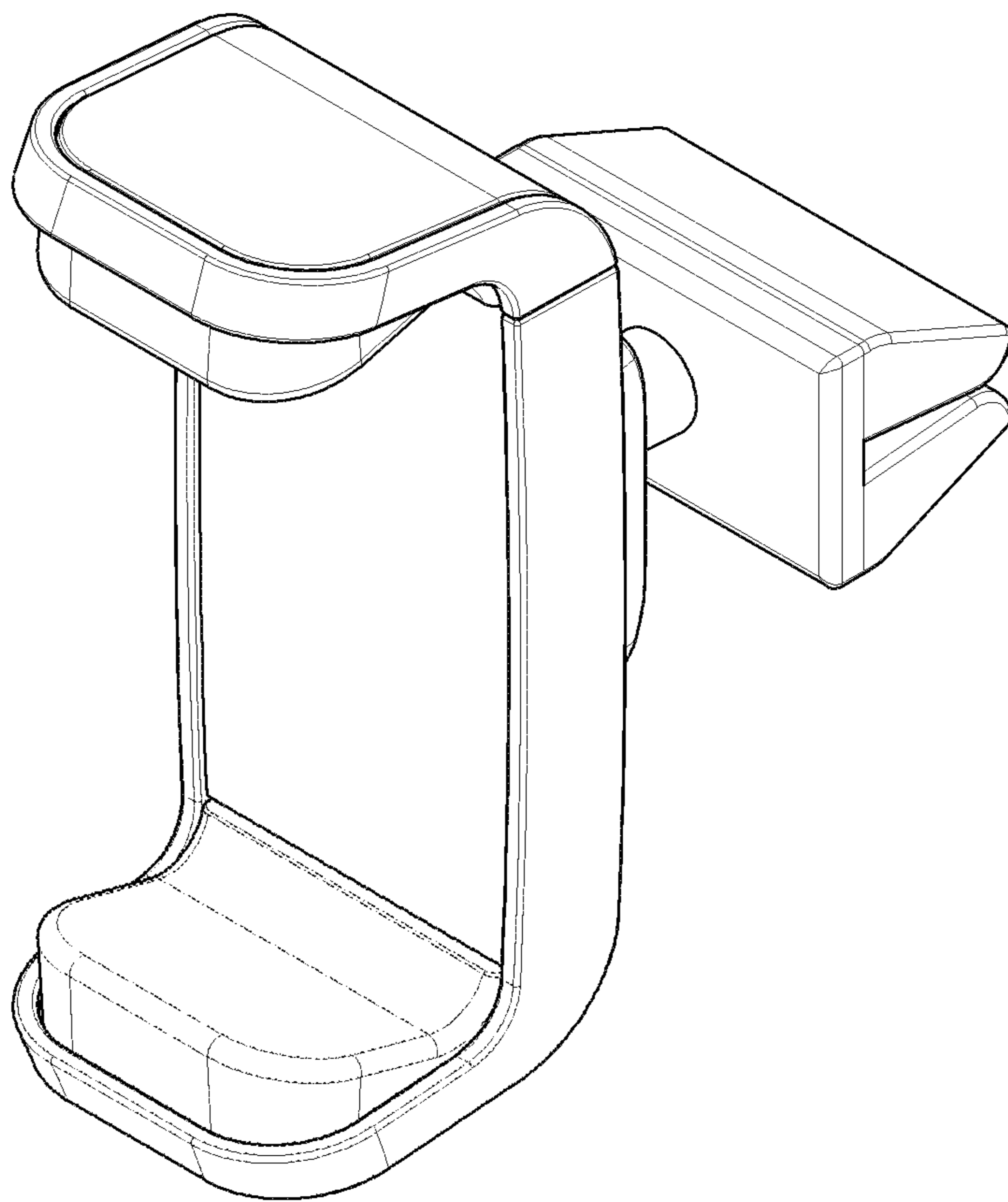


FIG. 1

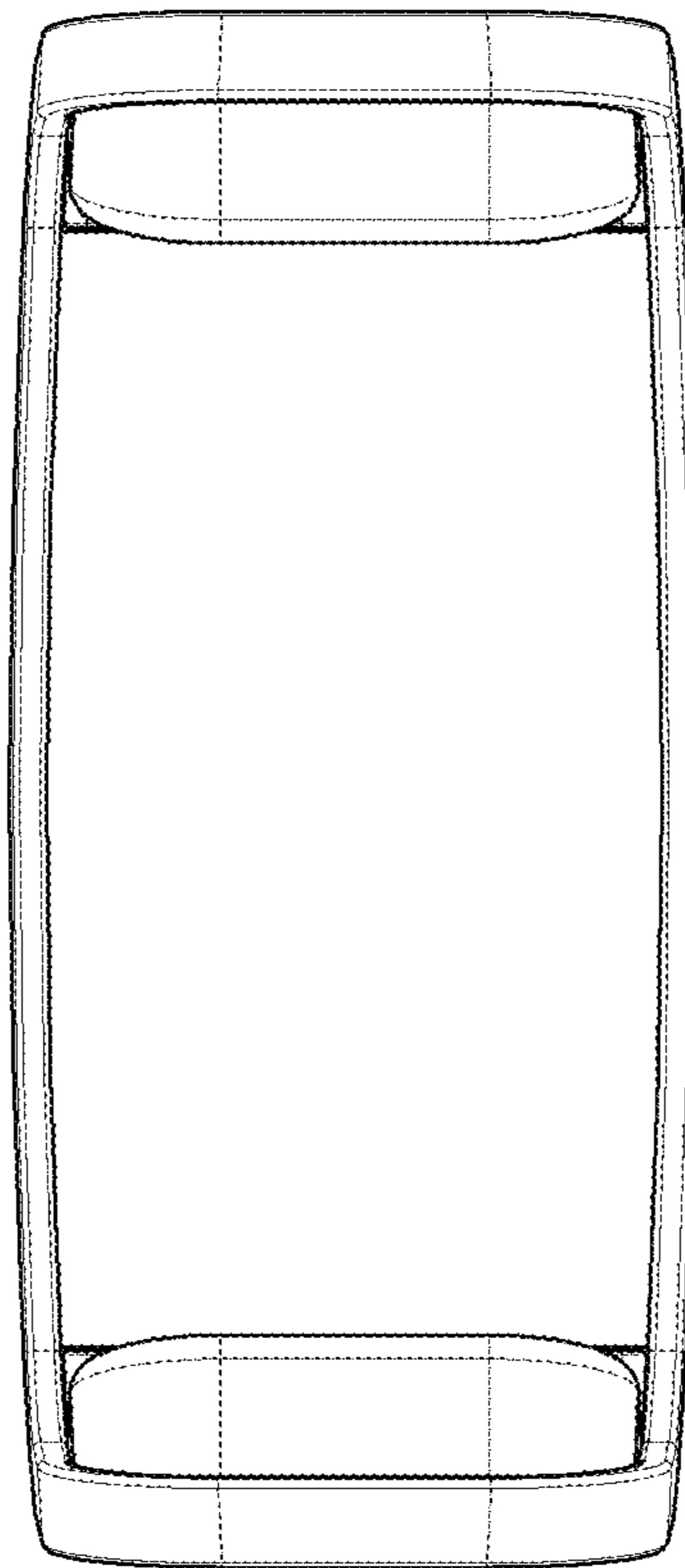


FIG.2

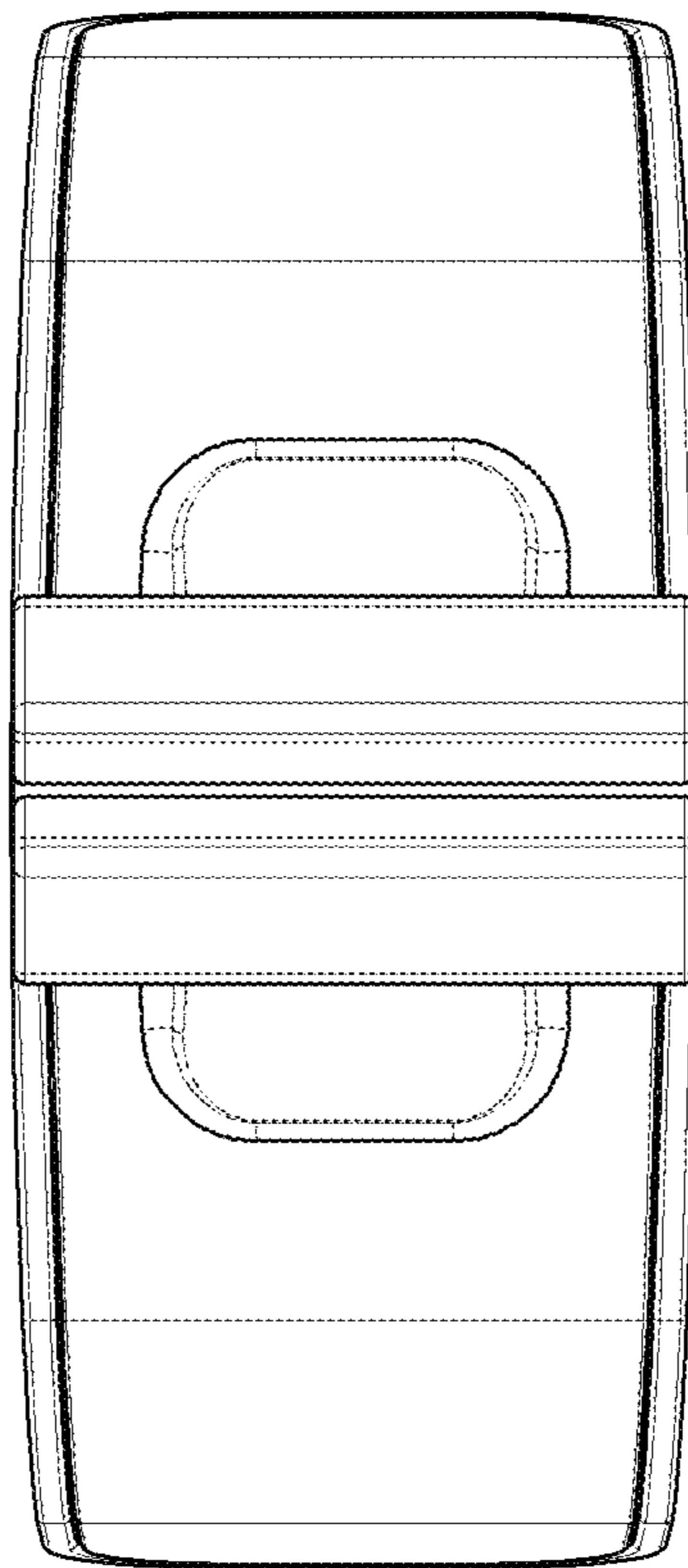


FIG.3

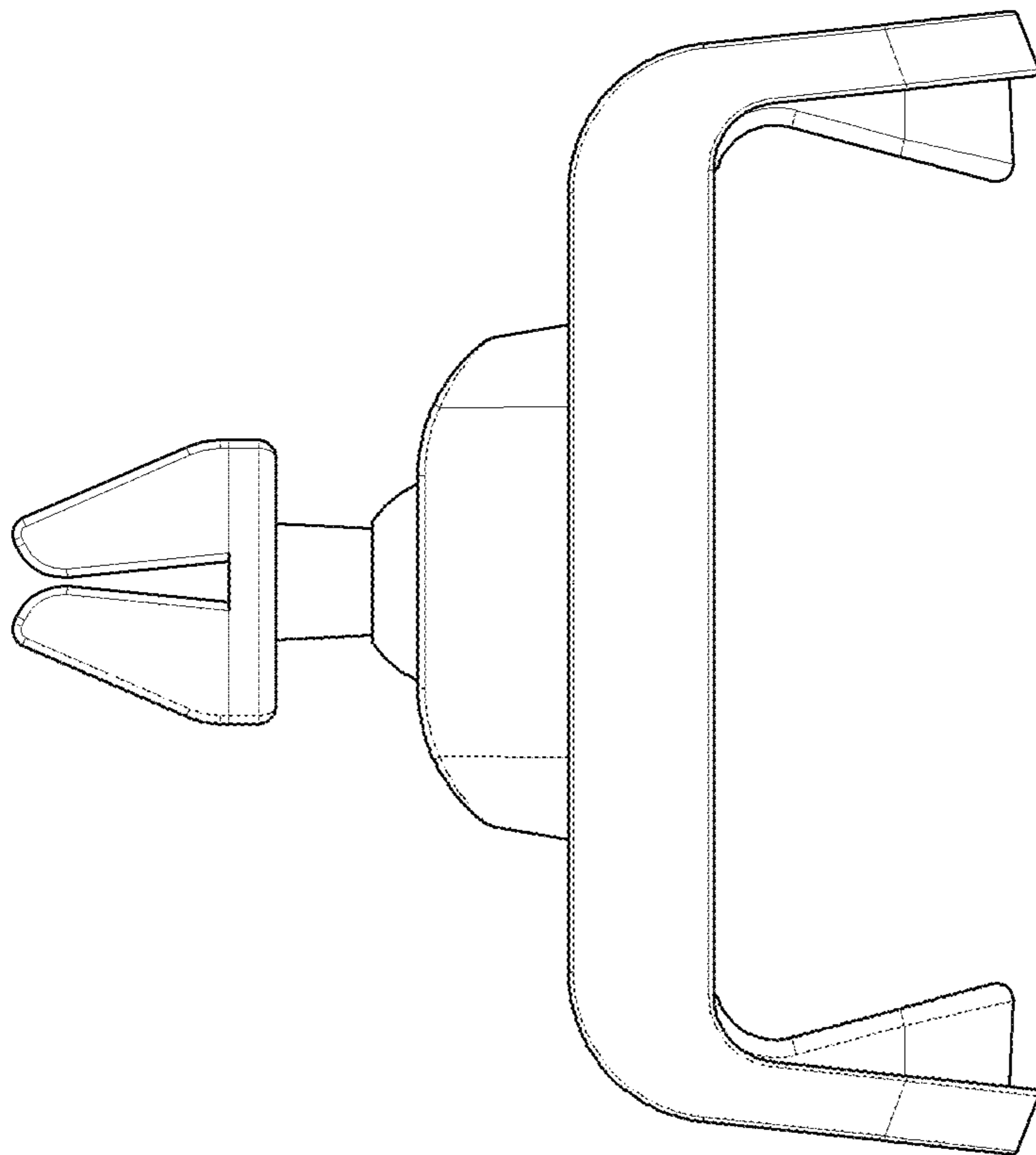


FIG. 4

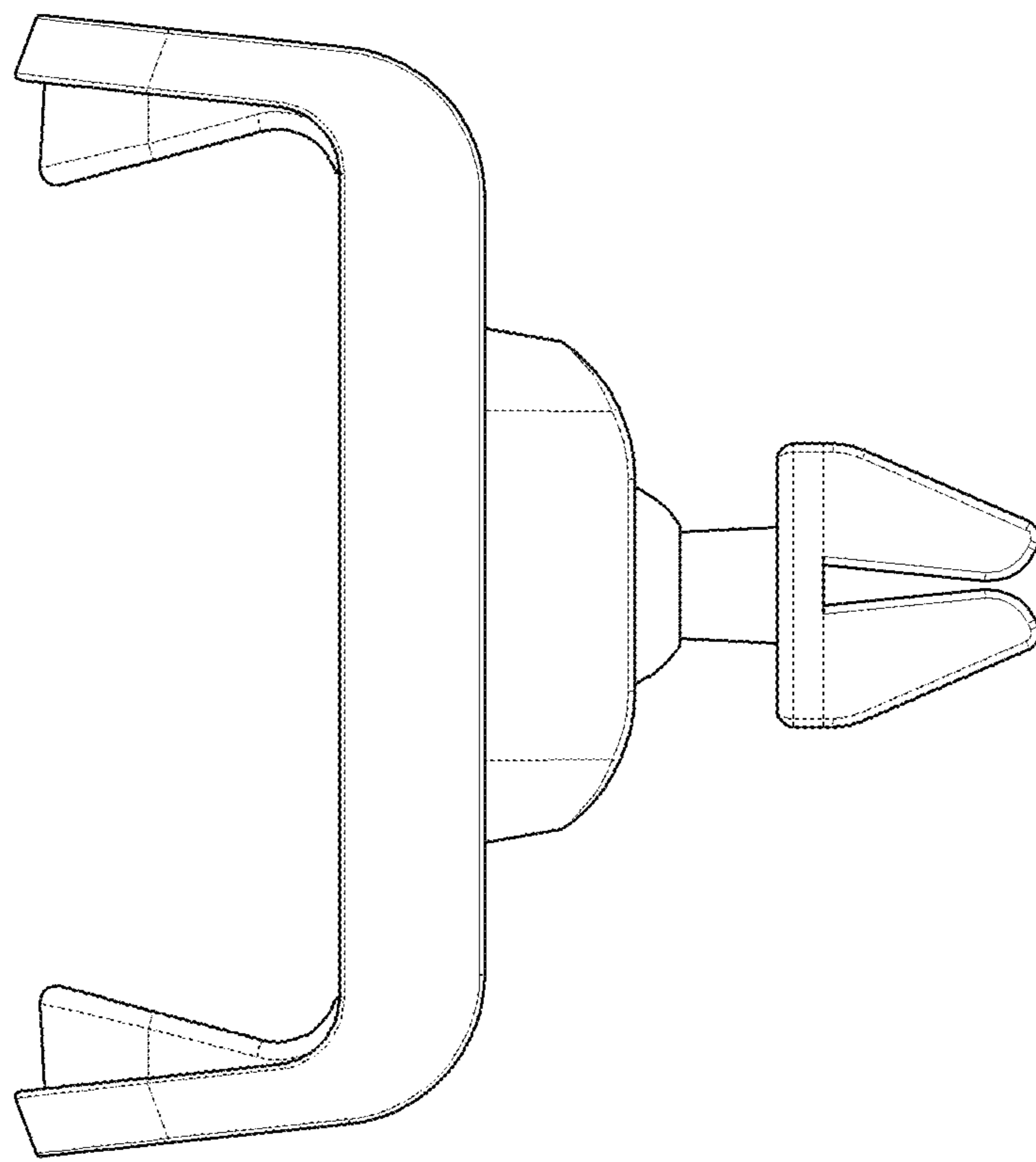


FIG.5

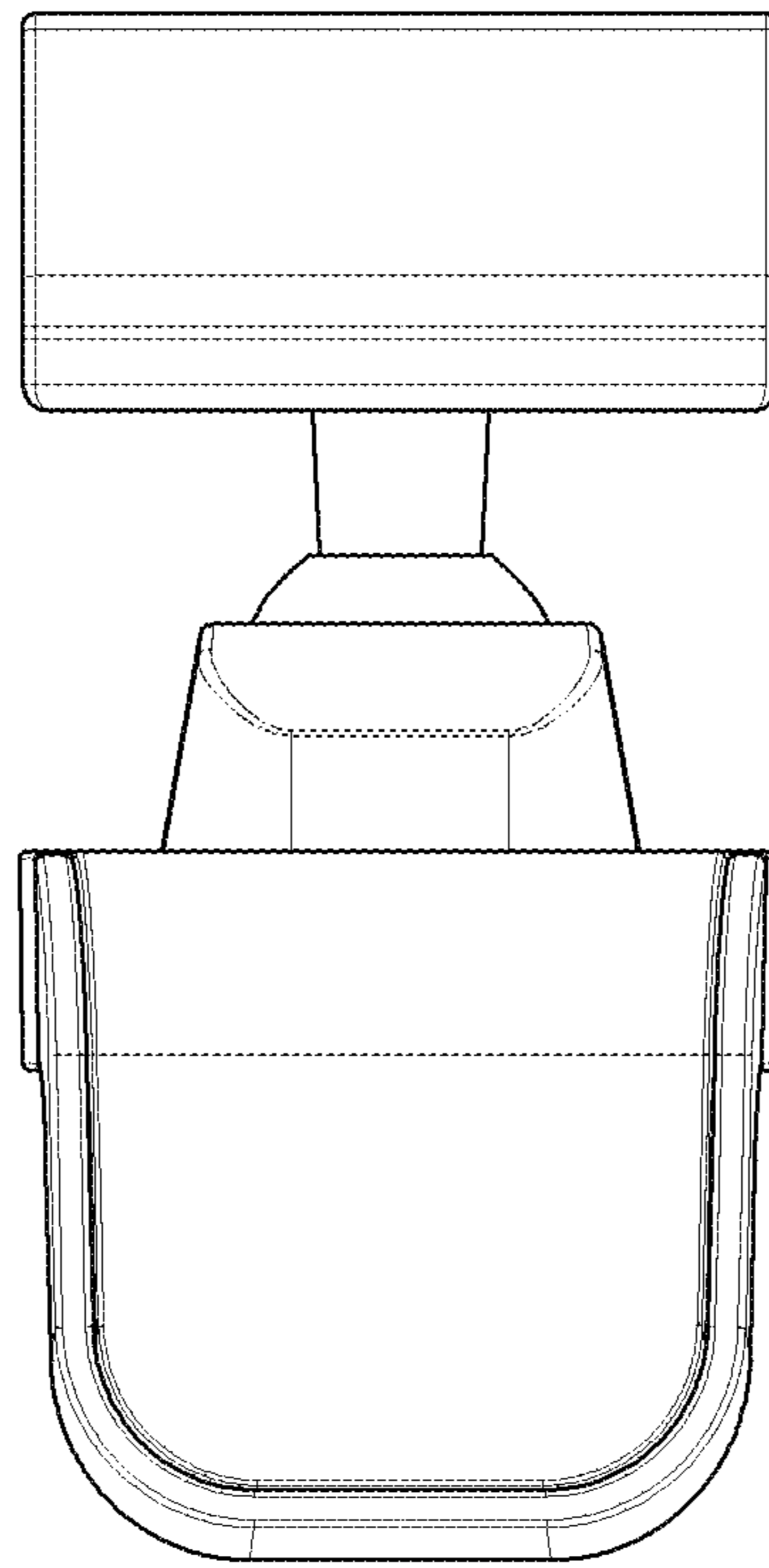


FIG.6

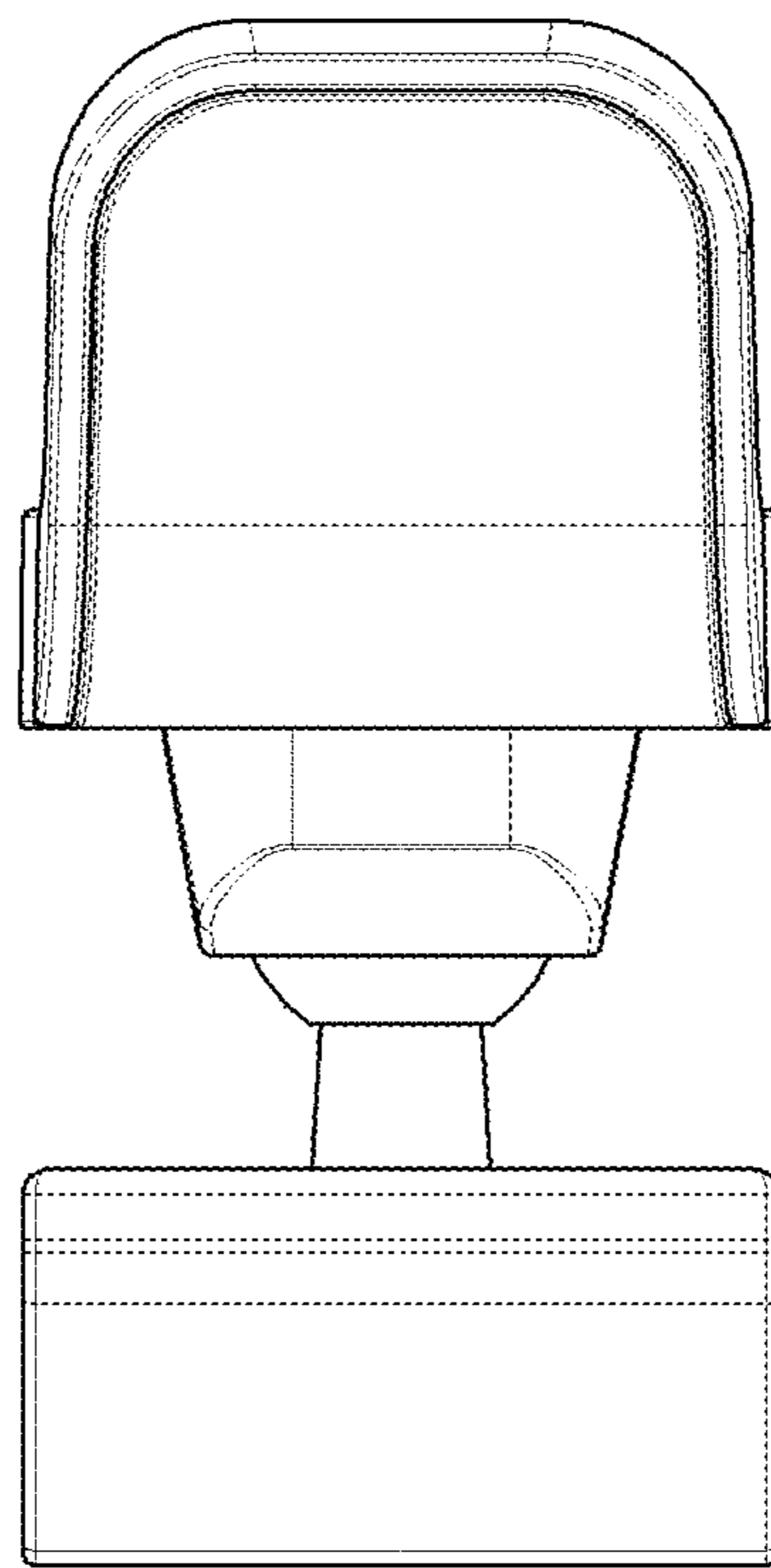


FIG.7

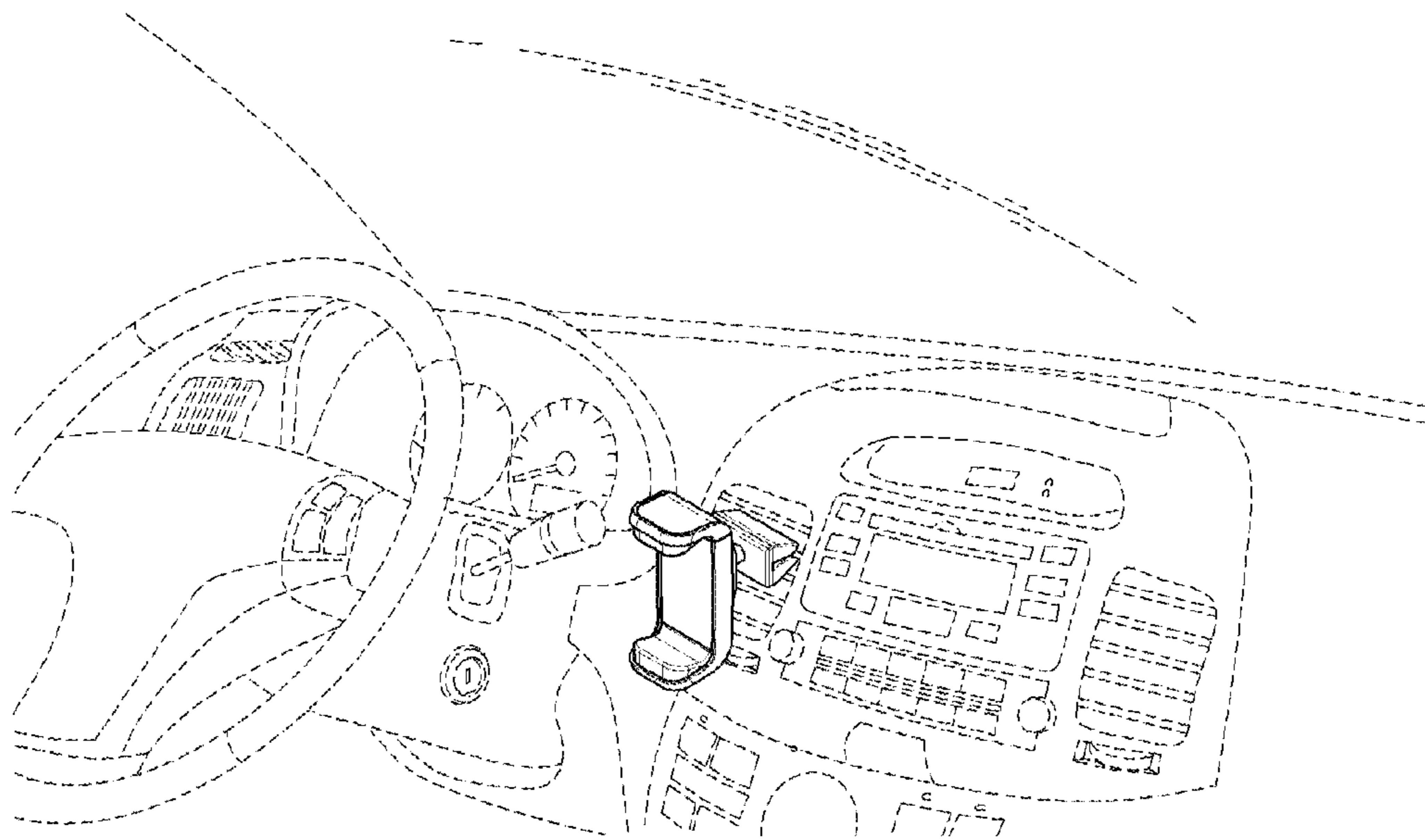


FIG.8