



US00D768124S

(12) **United States Design Patent**
Daniels et al.

(10) **Patent No.:** **US D768,124 S**

(45) **Date of Patent:** **** Oct. 4, 2016**

(54) **ELECTRONIC DEVICE HOLDER**
(71) Applicant: **iCradle GmbH**, Frankfurt (DE)
(72) Inventors: **Micha Daniels**, Darmstadt (DE);
Alexander Erdwiens, Darmstadt (DE)

(73) Assignee: **COBI GmbH**, Frankfurt (DE)

(**) Term: **14 Years**

(21) Appl. No.: **29/524,428**

(22) Filed: **Apr. 20, 2015**

(30) **Foreign Application Priority Data**

Oct. 20, 2014 (EM) 002 560 581-0001
Oct. 20, 2014 (EM) 002 560 581-0002
Oct. 20, 2014 (EM) 002 560 581-0003
Oct. 20, 2014 (EM) 002 560 581-0004
Oct. 20, 2014 (EM) 002 560 581-0005
Oct. 20, 2014 (EM) 002 560 581-0006

(51) **LOC (10) Cl.** **14-03**

(52) **U.S. Cl.**
USPC **D14/253**; D12/223; D12/407; D12/114

(58) **Field of Classification Search**
USPC D14/253, 432, 434, 440, 447, 439, 451,
D14/452, 457, 250, 251; D12/415, 114,
D12/420, 417, 223, 407, 177; D6/406.3,
D6/406.4, 406.5, 406.6, 310, 407; D3/218;
D8/349
CPC H04M 1/04; H04M 1/06; H04M 1/11;
H04M 1/12; F16M 13/00; B60R 11/00;
B60R 11/02; B60R 7/00; H05K 7/00; G03B
17/56

See application file for complete search history.

(56) **References Cited**

U.S. PATENT DOCUMENTS

6,446,922 B2 * 9/2002 Irie B62J 99/00
248/214

7,379,798 B2 * 5/2008 Takeda A63B 24/00
340/427
D647,434 S * 10/2011 Chambers D12/114
D652,779 S * 1/2012 Richter D12/223

(Continued)

Primary Examiner — Susan Bennett Hattan

Assistant Examiner — Janice Hallmark

(74) *Attorney, Agent, or Firm* — SoCal IP Law Group
LLP; Steven C. Sereboff; M. Kala Sarvaiya

(57) **CLAIM**

The ornamental design for an electronic device holder, as shown and described.

DESCRIPTION

A portion of the disclosure of this patent document contains material to which a claim for copyright is made. The copyright owner has no objection to the facsimile reproduction by anyone of the patent document or the patent disclosure, as it appears in the Patent and Trademark Office patent file or records, but reserves all other copyright rights whatsoever.

FIG. 1 is a front, top and right side perspective view of an electronic device holder.

FIG. 2 is a rear elevation view of the electronic device holder.

FIG. 3 is a front elevation view of the electronic device holder.

FIG. 4 is a front, top and right side perspective view of just the electronic device holder.

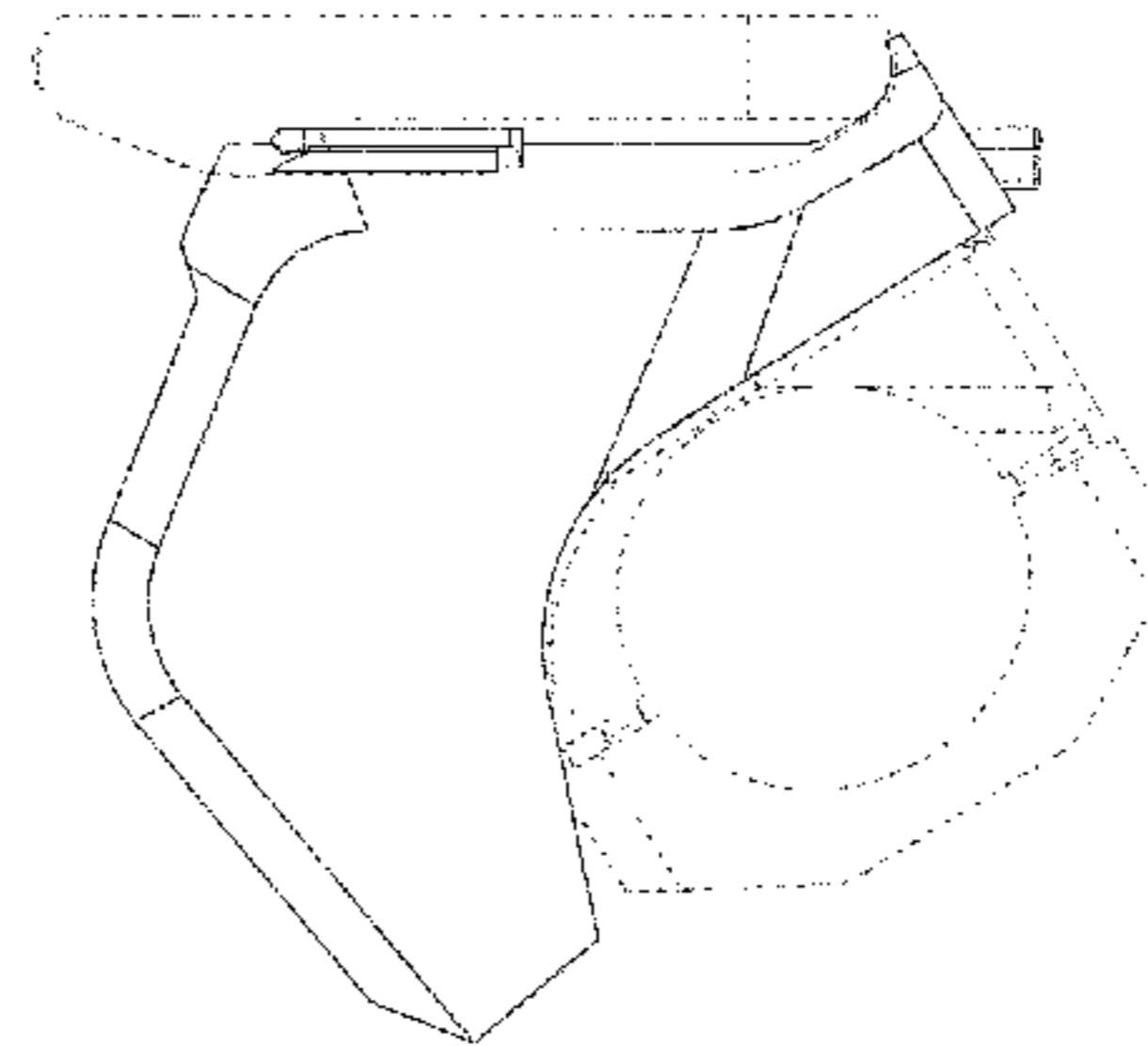
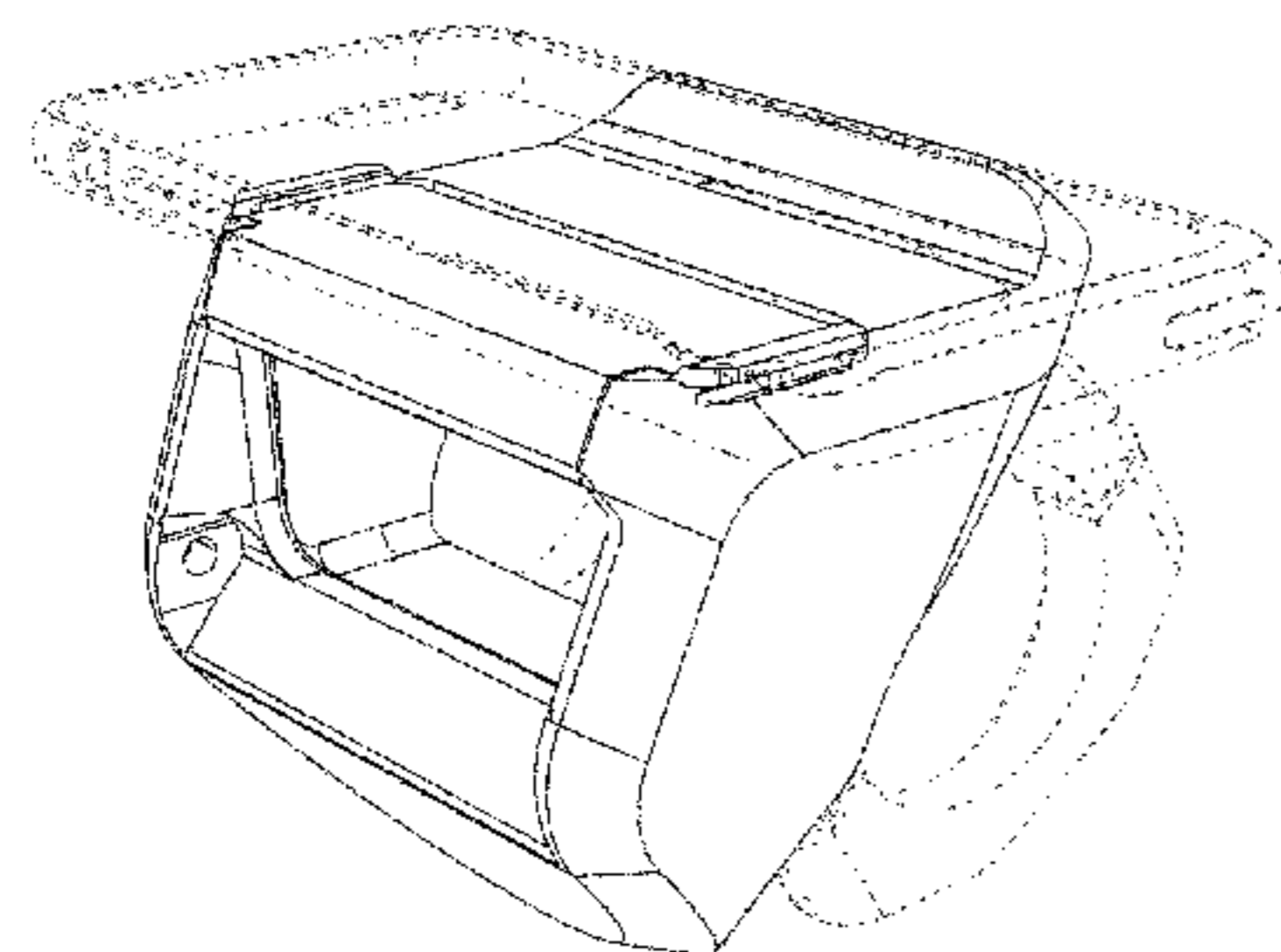
FIG. 5 is a right side elevation view of the electronic device holder.

FIG. 6 is left side elevation view of the electronic device holder.

FIG. 7 is a top plan view of the electronic device holder; and, FIG. 8 is a bottom plan view of the electronic device holder.

The broken lines in the drawings depict environmental subject matter only that forms no part of the claimed design.

1 Claim, 8 Drawing Sheets



(56)

References Cited

U.S. PATENT DOCUMENTS

8,305,742 B2 *	11/2012	Onnela	B62J 11/00	29/622	D741,313 S *	10/2015	Moon	D14/253
D675,147 S *	1/2013	Olschansky	D12/407		D741,314 S *	10/2015	Kwak	D14/253
D685,687 S *	7/2013	Richter	D12/114		D741,846 S *	10/2015	Jeon	D14/253
D707,220 S *	6/2014	Belby	D14/253		D741,847 S *	10/2015	Jeon	D14/253
						2013/0134196 A1 *	5/2013	Lee	B62J 11/00
										224/448
						2016/0031381 A1 *	2/2016	Lin	B62J 99/00
										224/548

* cited by examiner

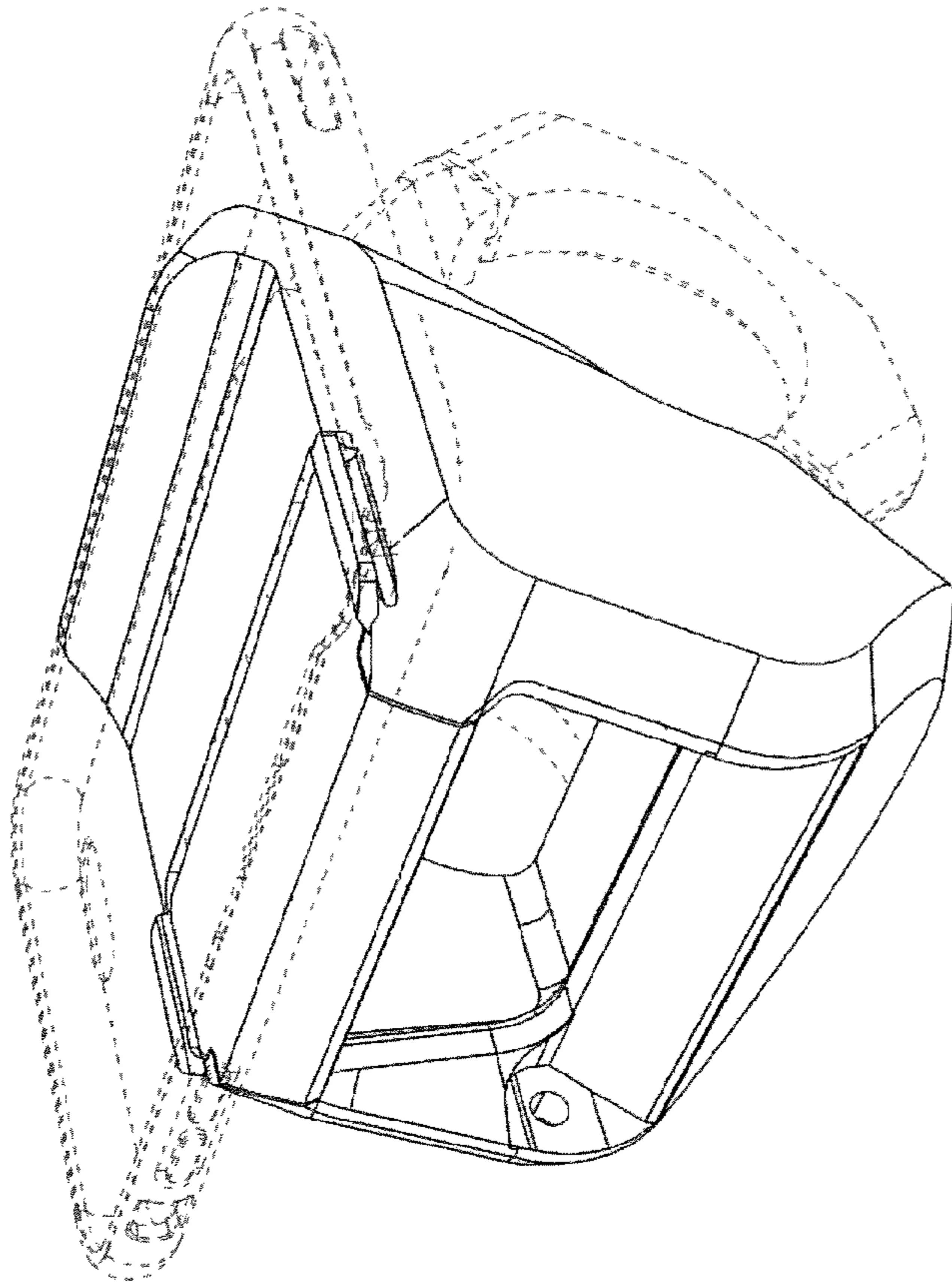


FIG. 1

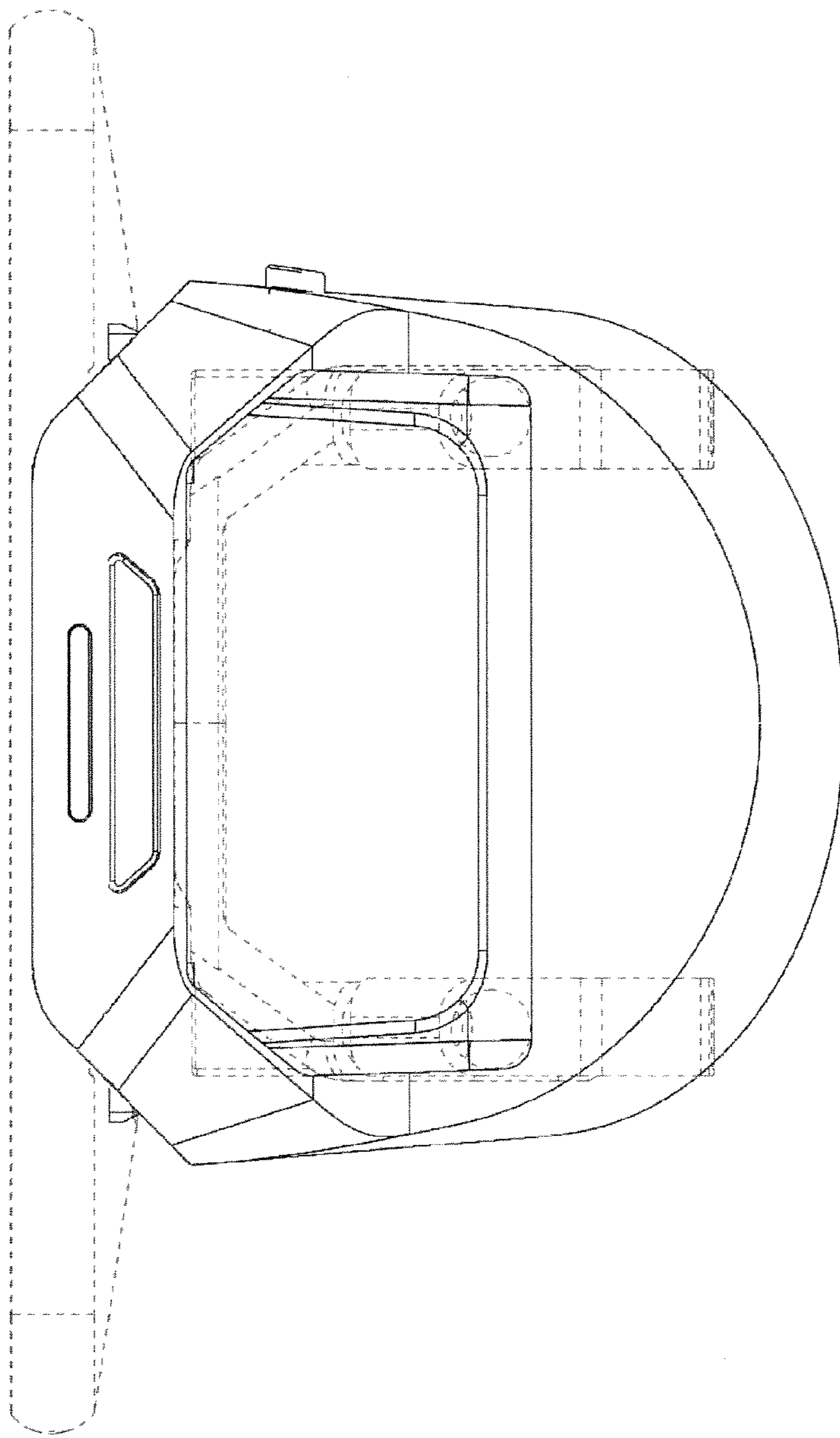


FIG. 2

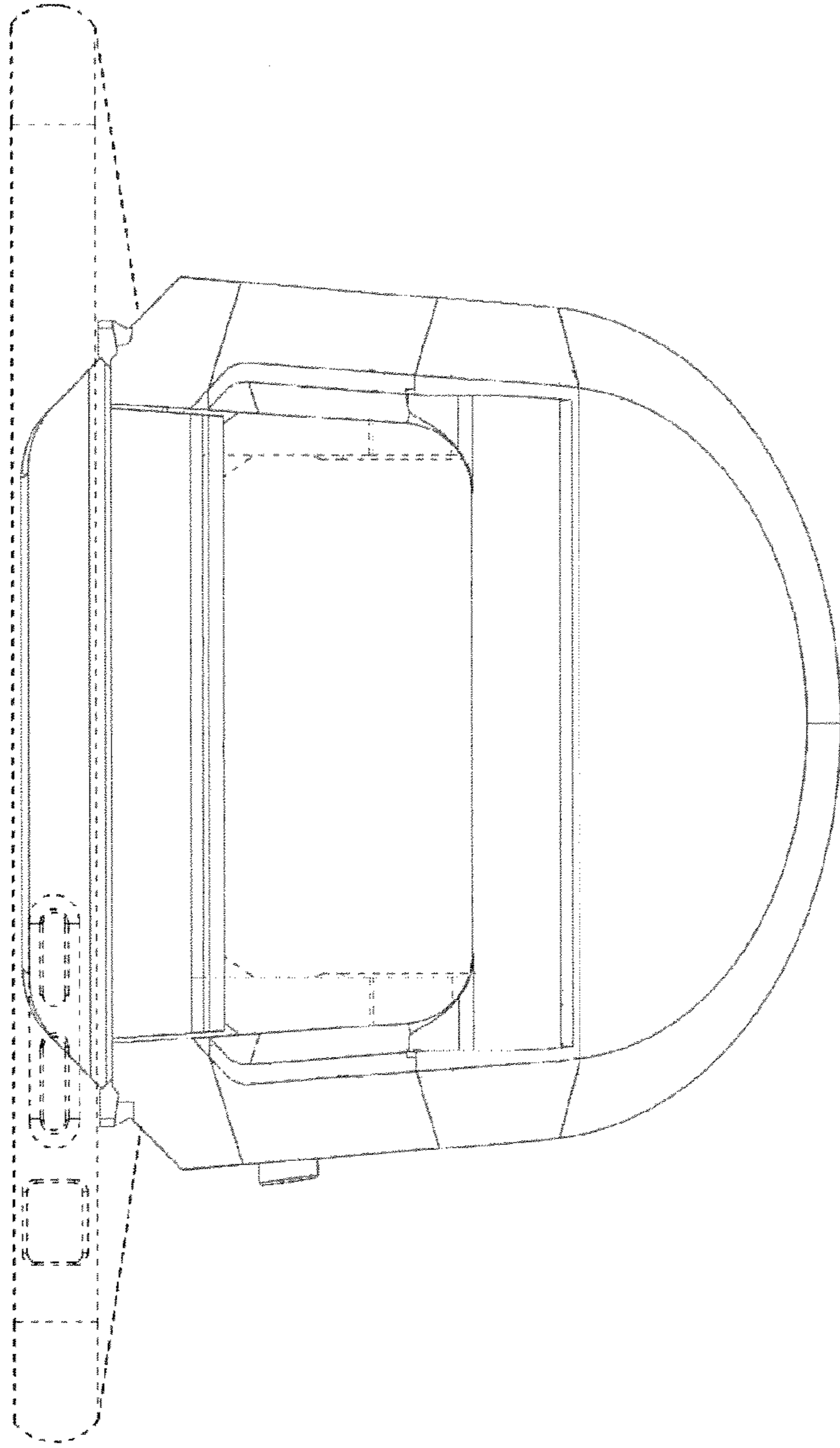


FIG. 3

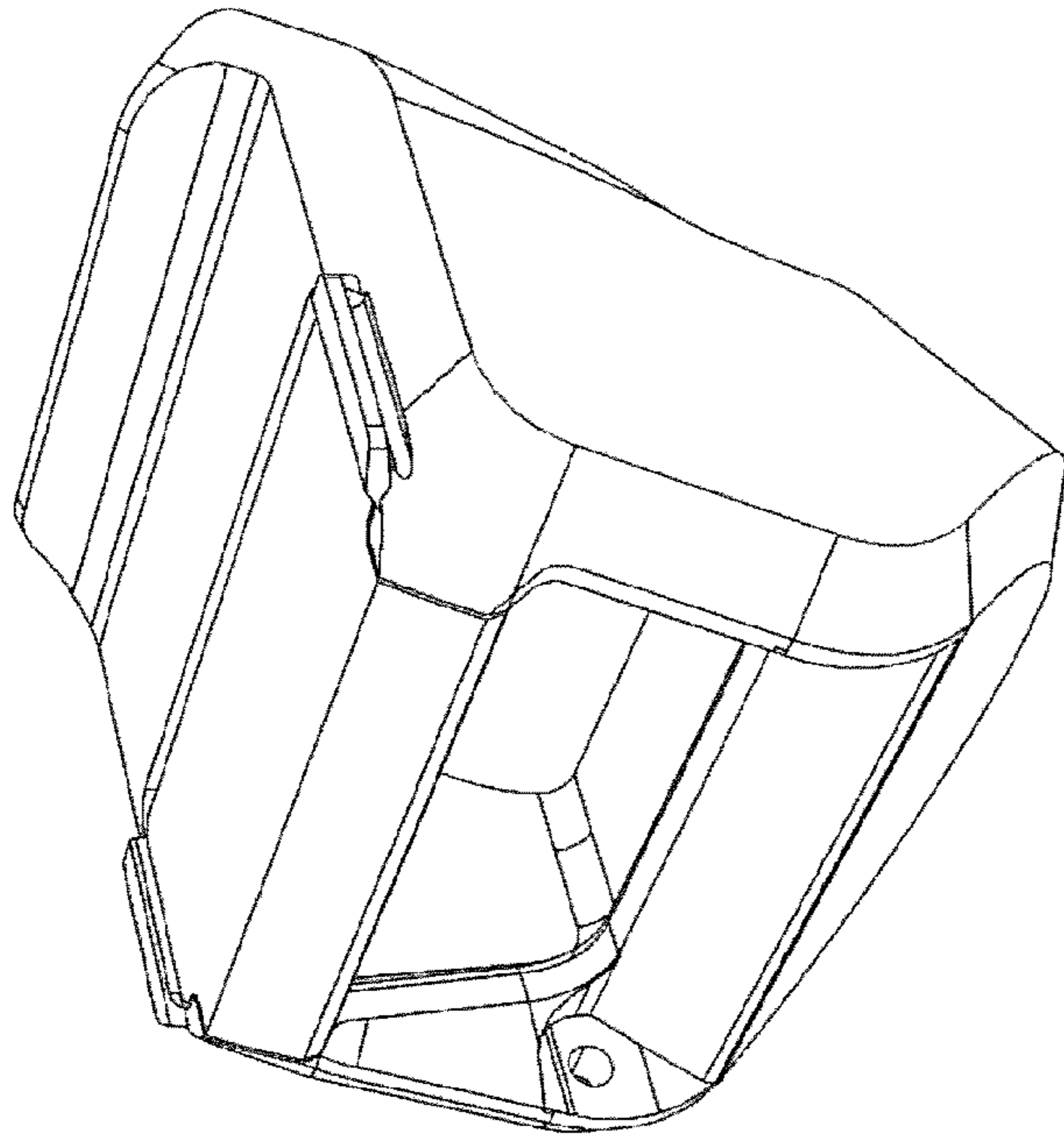


FIG. 4

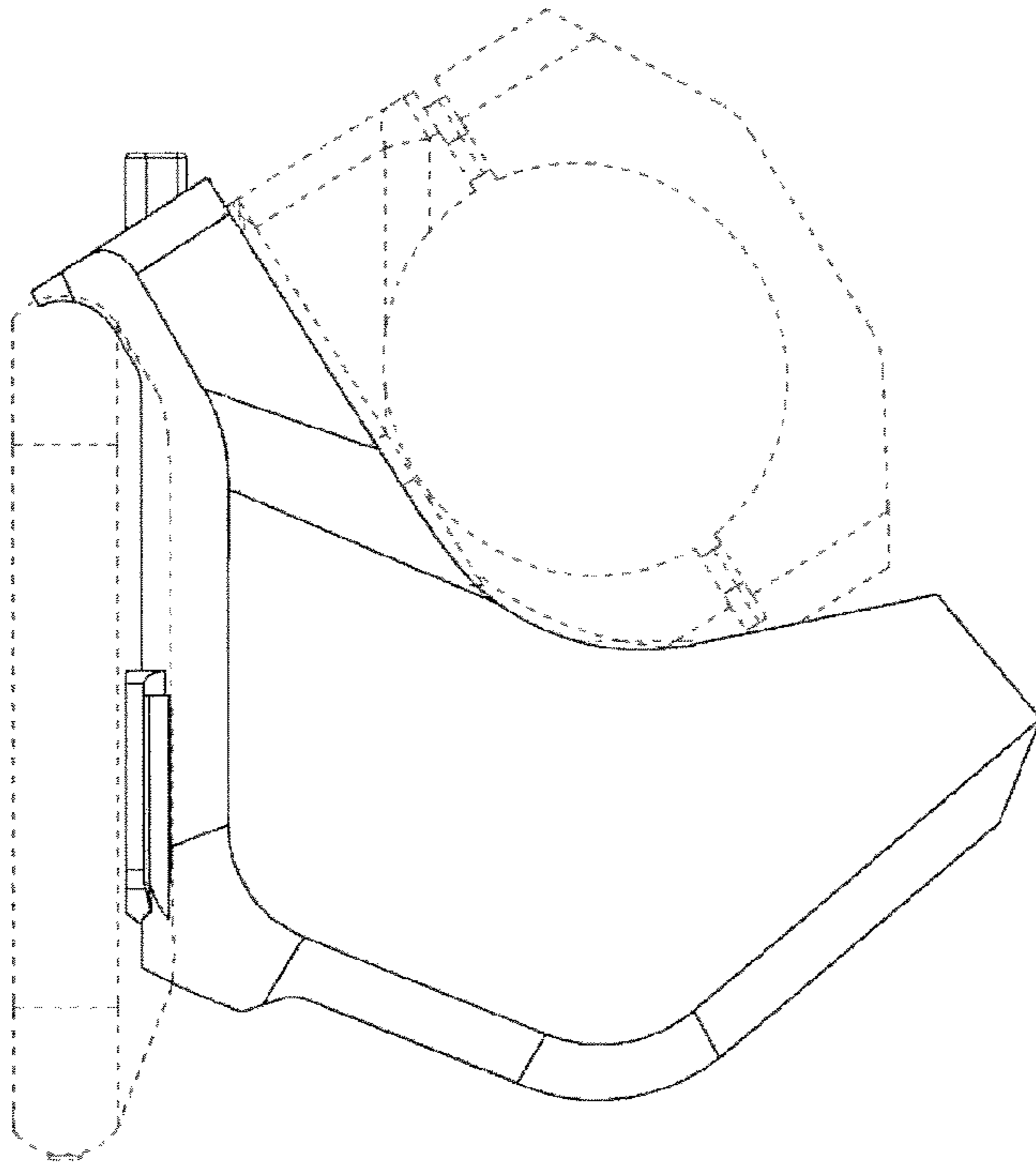


FIG. 5

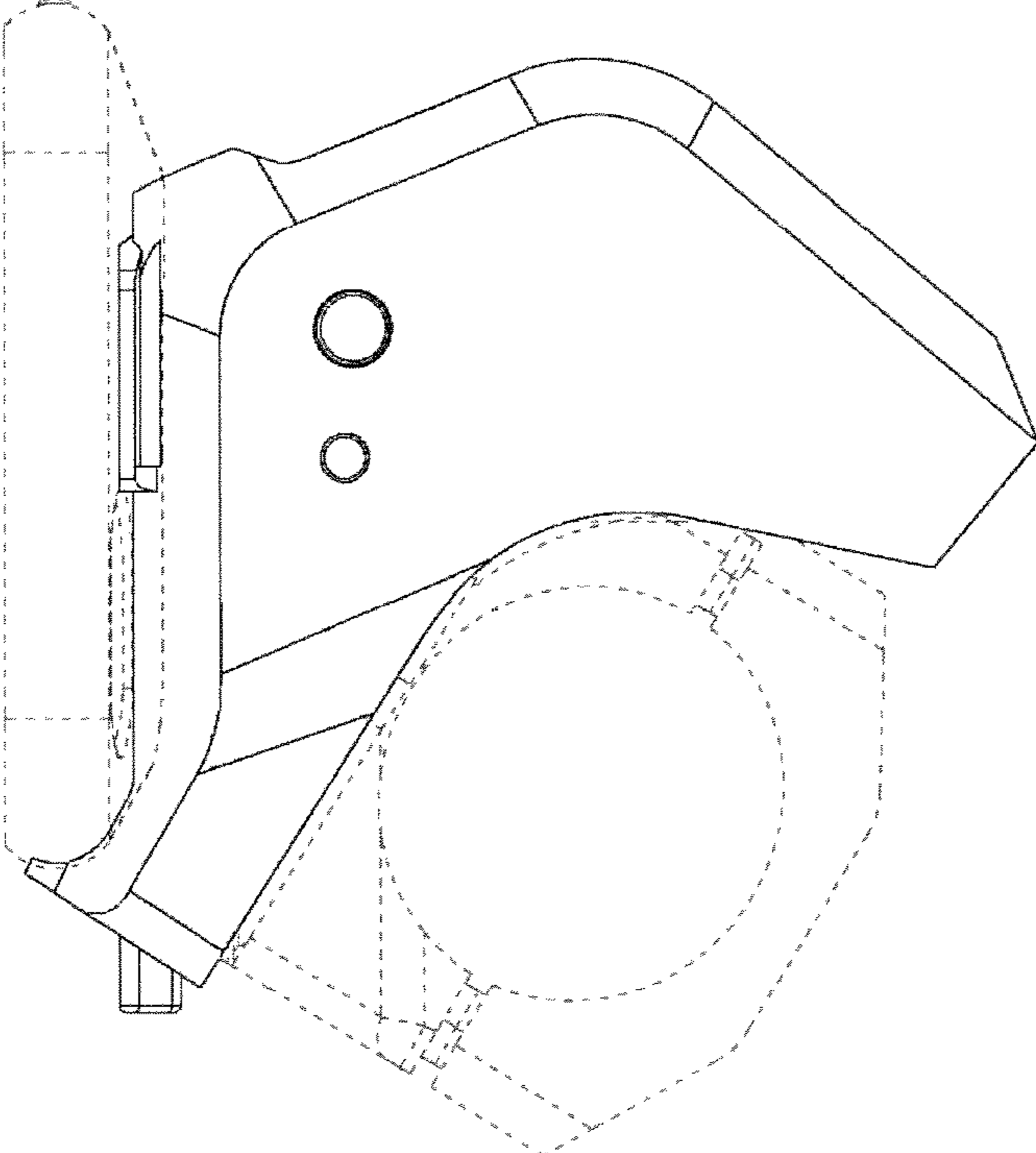


FIG. 6

©2015 iCradle GmbH

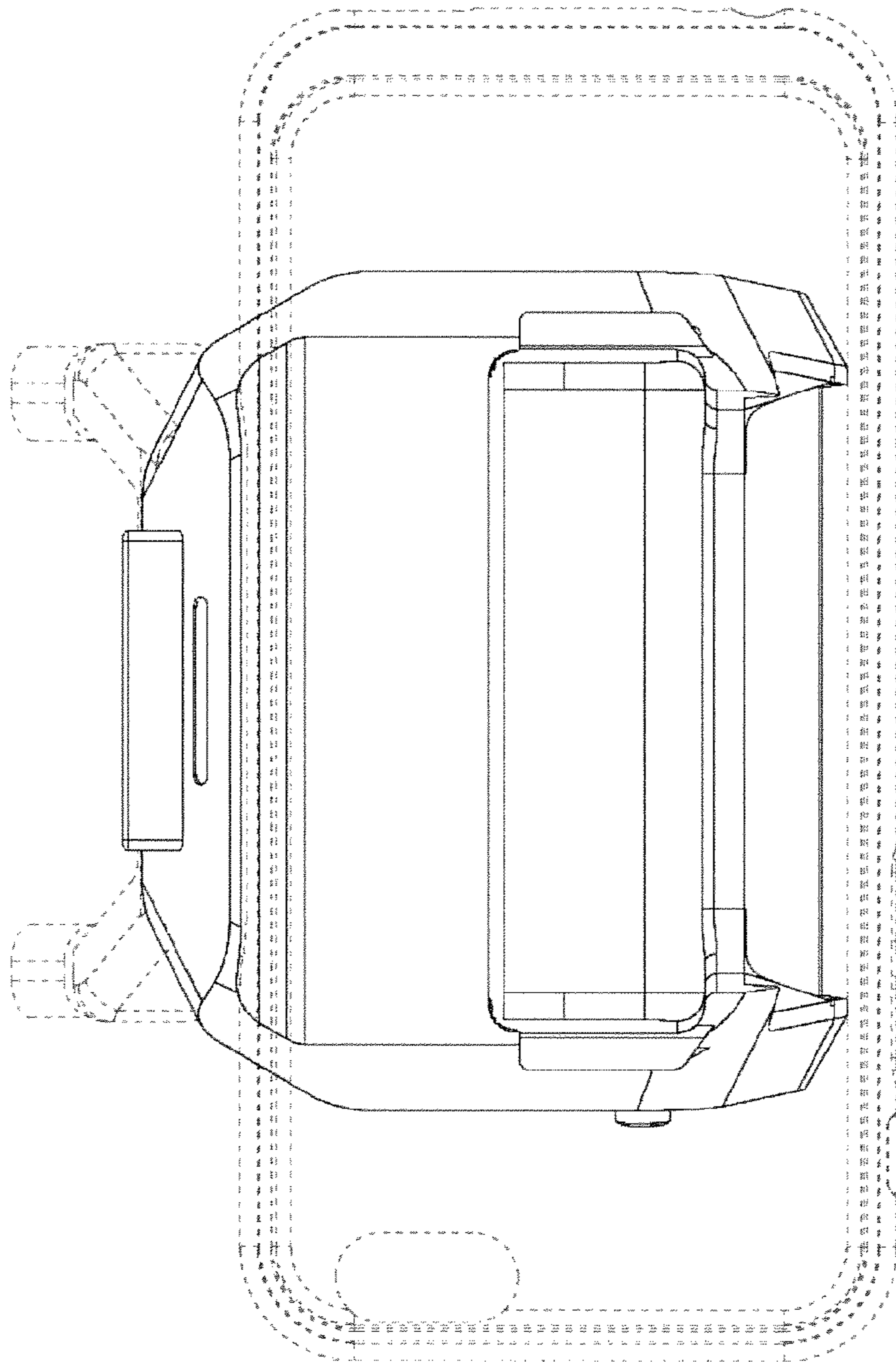


FIG. 7

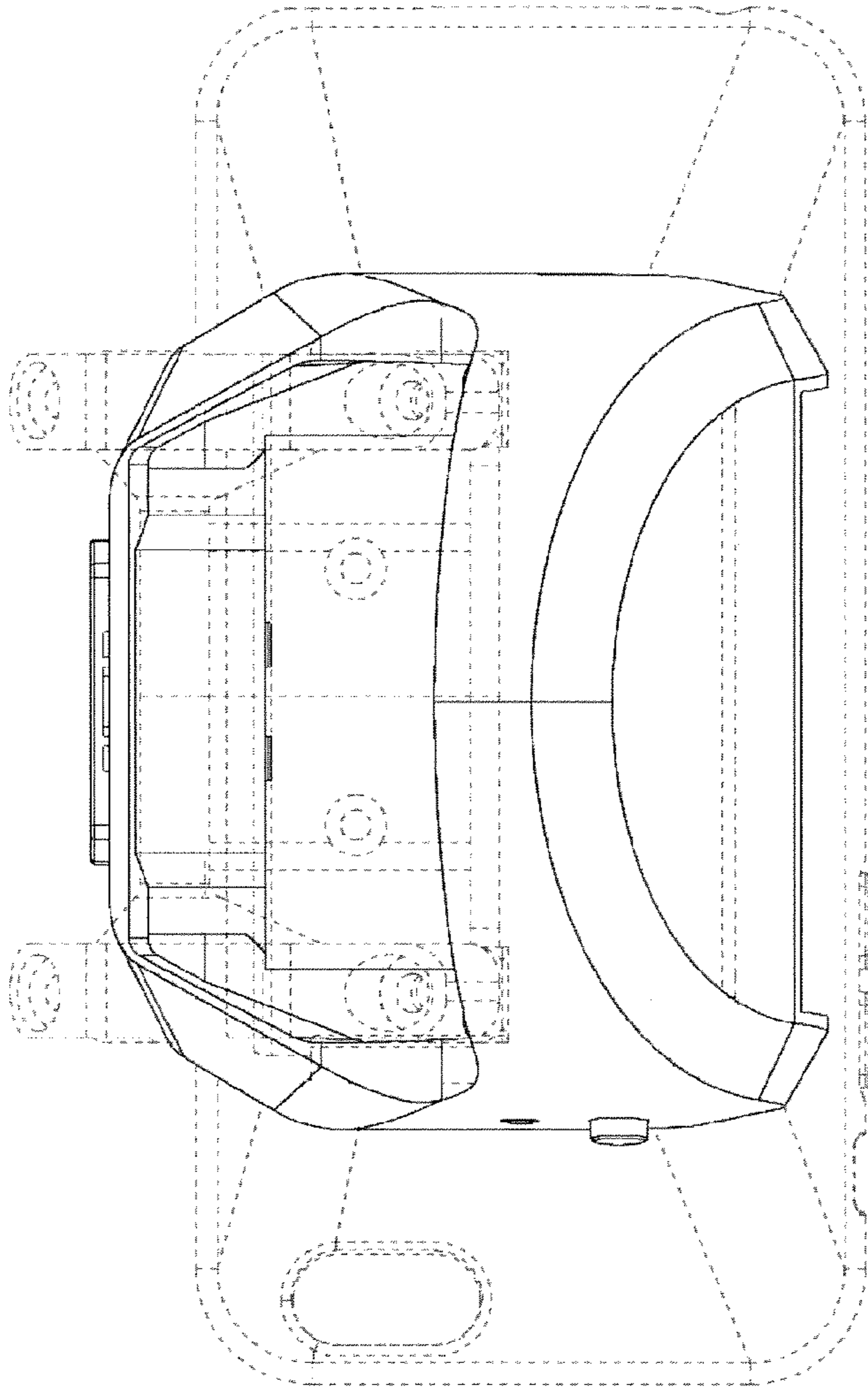


FIG. 8