



US00D768119S

(12) **United States Design Patent** (10) **Patent No.:** **US D768,119 S**
Kim et al. (45) **Date of Patent:** **** Oct. 4, 2016**

(54) **STAND FOR TV RECEIVER**

(56) **References Cited**

(71) Applicant: **LG ELECTRONICS INC.**, Seoul (KR)

U.S. PATENT DOCUMENTS

(72) Inventors: **Yooseok Kim**, Seoul (KR); **Byungmu Huh**, Seoul (KR); **Yoonkyeong Lee**, Seoul (KR)

D458,236 S *	6/2002	Bong	D14/126
D486,803 S *	2/2004	Fujiki	D14/126
D562,811 S *	2/2008	Asanuma	D14/239
D642,145 S *	7/2011	Kim	D14/126
D677,637 S *	3/2013	Kubota	D14/126
D680,088 S *	4/2013	Park	D14/126
D681,614 S *	5/2013	Masui	D14/239

(73) Assignee: **LG ELECTRONICS INC.**, Seoul (KR)

* cited by examiner

(**) Term: **14 Years**

Primary Examiner — Randall Gholson

(21) Appl. No.: **29/509,076**

(74) *Attorney, Agent, or Firm* — Birch, Stewart, Kolasch & Birch, LLP

(22) Filed: **Nov. 13, 2014**

(57) **CLAIM**

The ornamental design for a stand for TV receiver, as shown and described.

(30) **Foreign Application Priority Data**

DESCRIPTION

May 14, 2014 (KR) 30-2014-0023876

(51) **LOC (10) Cl.** **14-03**

(52) **U.S. Cl.**
USPC **D14/239**

(58) **Field of Classification Search**
USPC D14/125–134, 239, 371, 136, 374–377, D14/440, 450, 448, 336, 342, 159; 312/7.2; 348/836, 838, 180, 184, 325, 739; 248/917–924, 465; 345/104, 133, 156, 345/168, 87, 173; D21/329, 515, 577, 622, D21/333, 433, 448, 452, 450, 331, 505; D10/15, 26; 446/484, 175, 356; D6/477, 479, 300; D24/185; D34/14
CPC . G06F 1/1601; G06F 1/1643; H05K 5/0004; H05K 5/0017; H05K 5/02; H05K 5/0217
See application file for complete search history.

FIG. 1 is a front, right side, perspective view of a stand for TV receiver showing our new design;
FIG. 2 is a front view thereof;
FIG. 3 is a rear view thereof;
FIG. 4 is a left side view thereof;
FIG. 5 is a right side view thereof;
FIG. 6 is a top view thereof;
FIG. 7 is a bottom view thereof;
FIG. 8 is a front, right side, perspective view with the TV receiver thereof; and,
FIG. 9 is a rear, left side, perspective view with the TV receiver thereof.
The broken lines indicate unclaimed portions of the article that form no part of the claimed design.

1 Claim, 6 Drawing Sheets

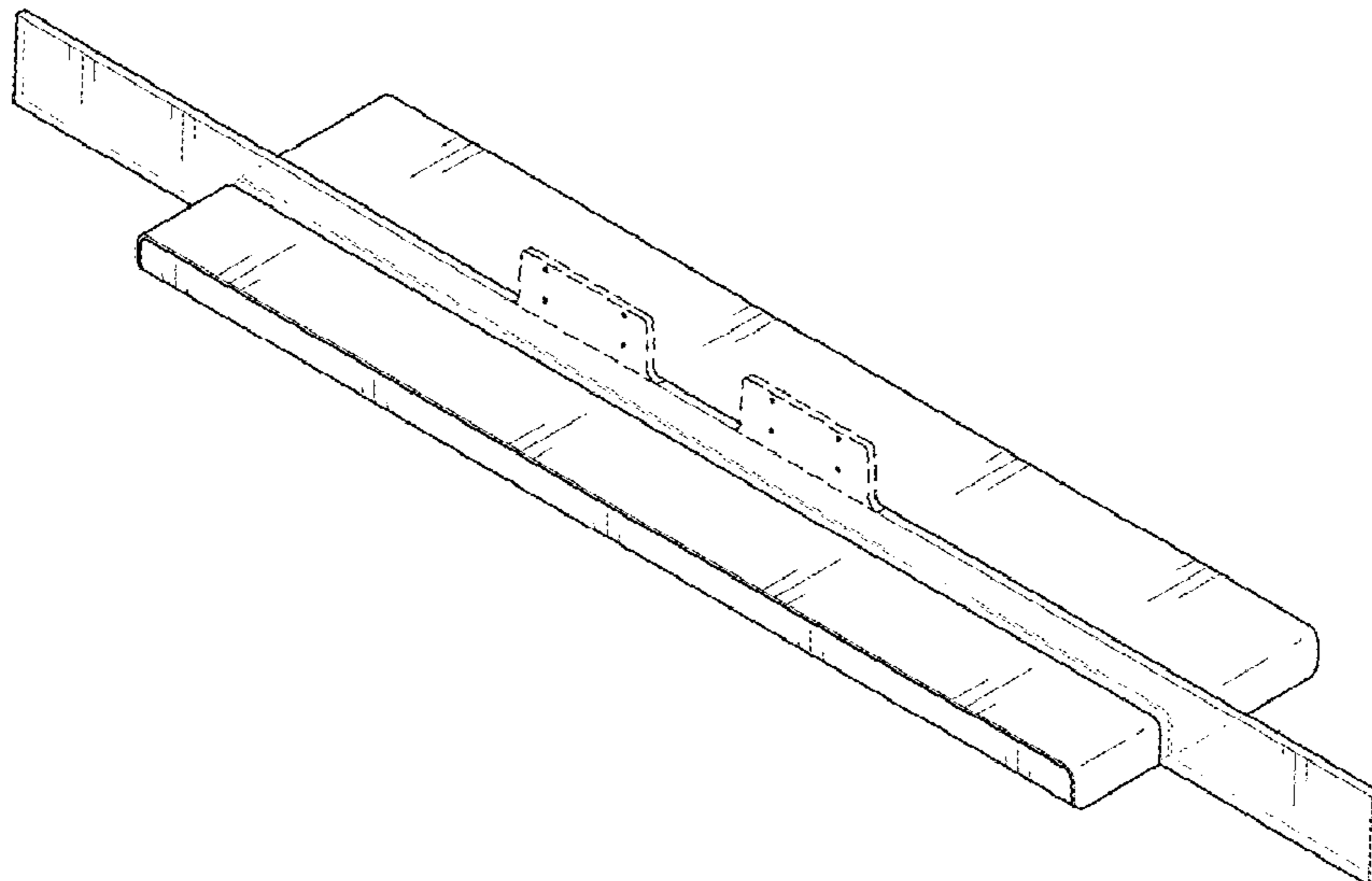


FIG. 1

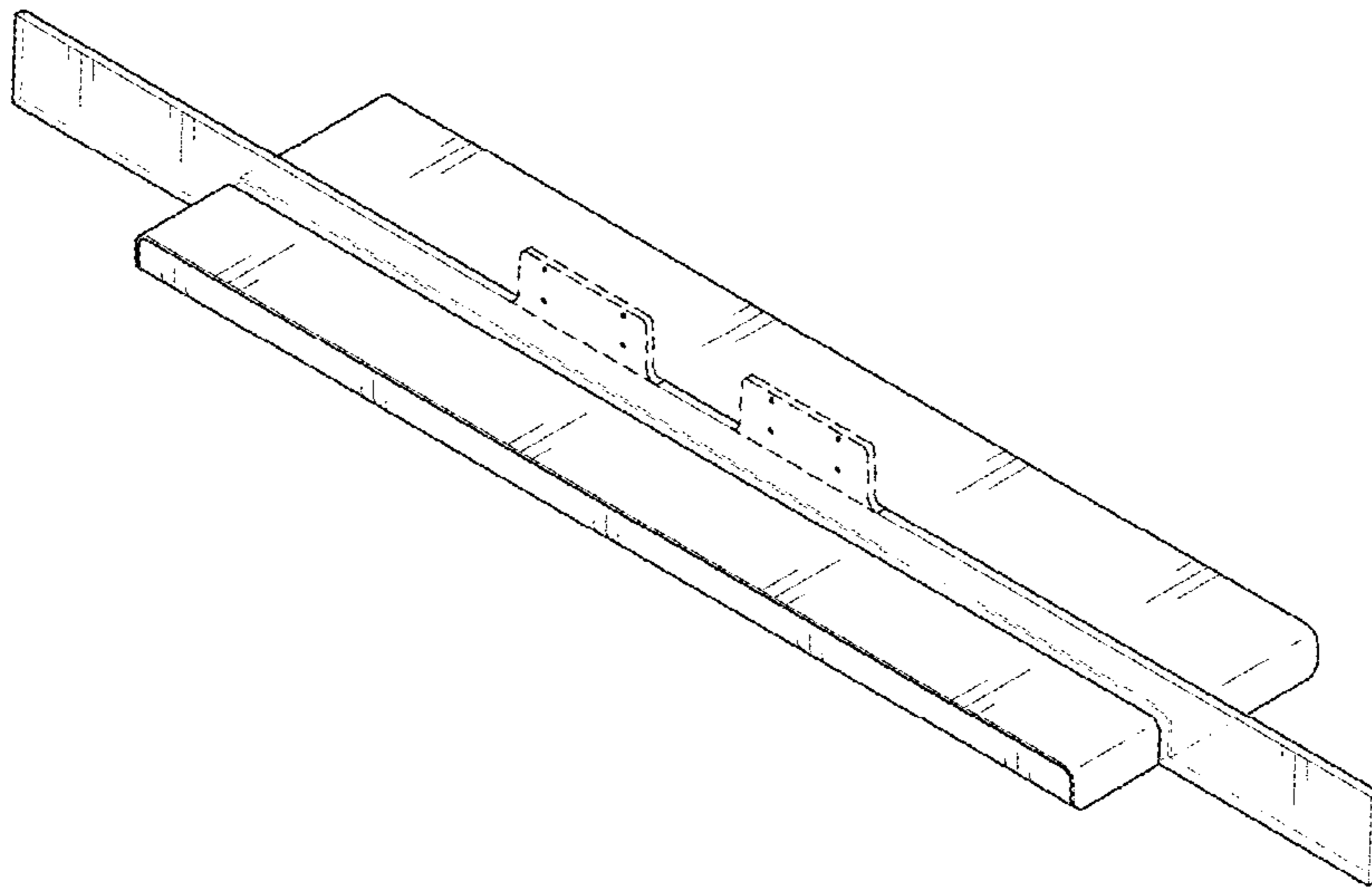


FIG. 2

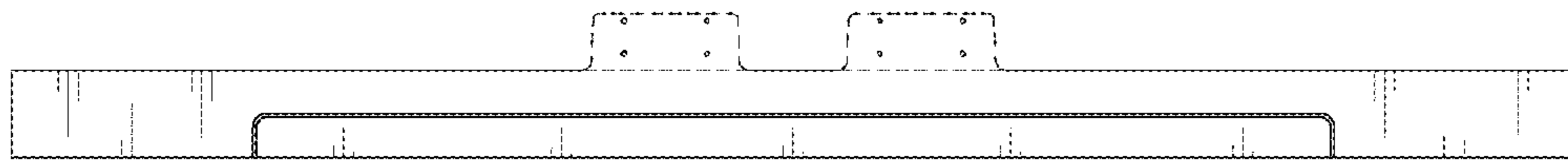


FIG. 3

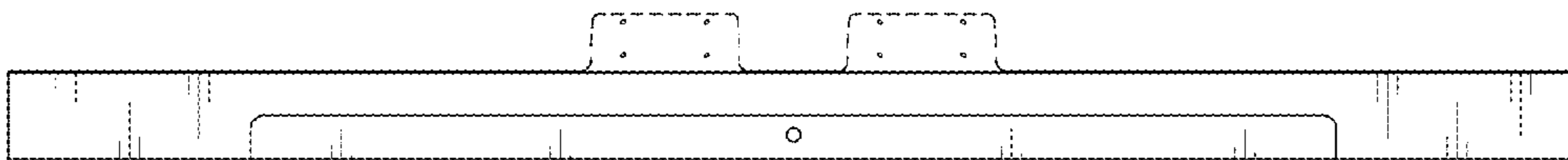


FIG. 4

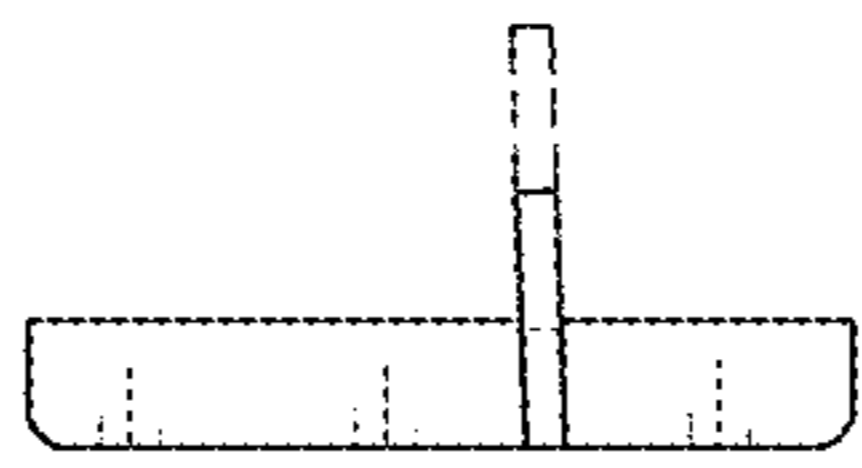


FIG. 5

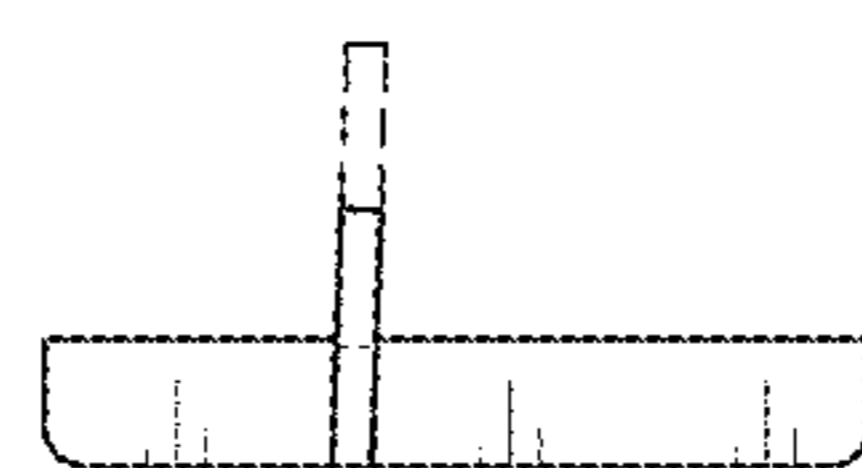


FIG. 6

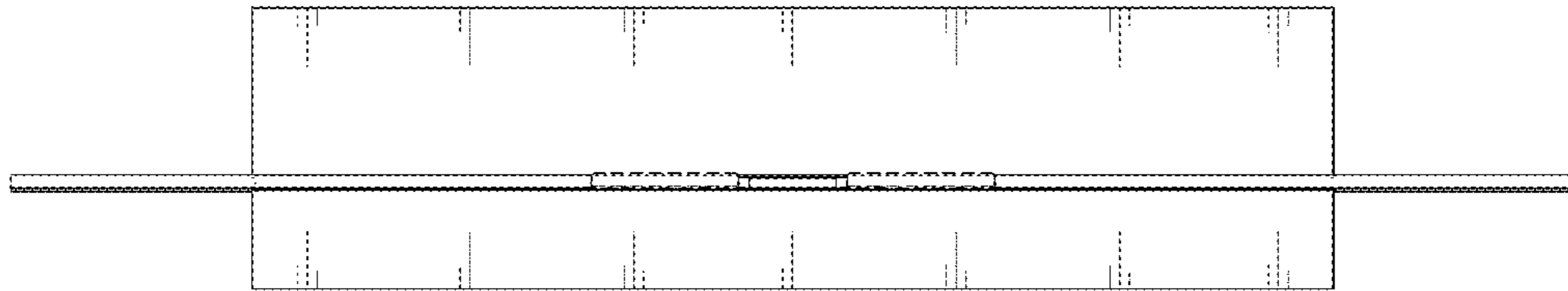


FIG. 7

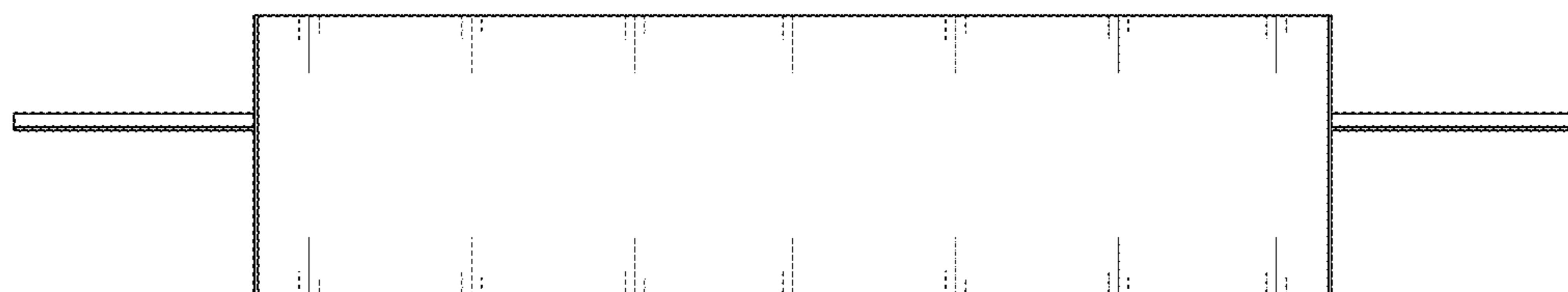


FIG. 8

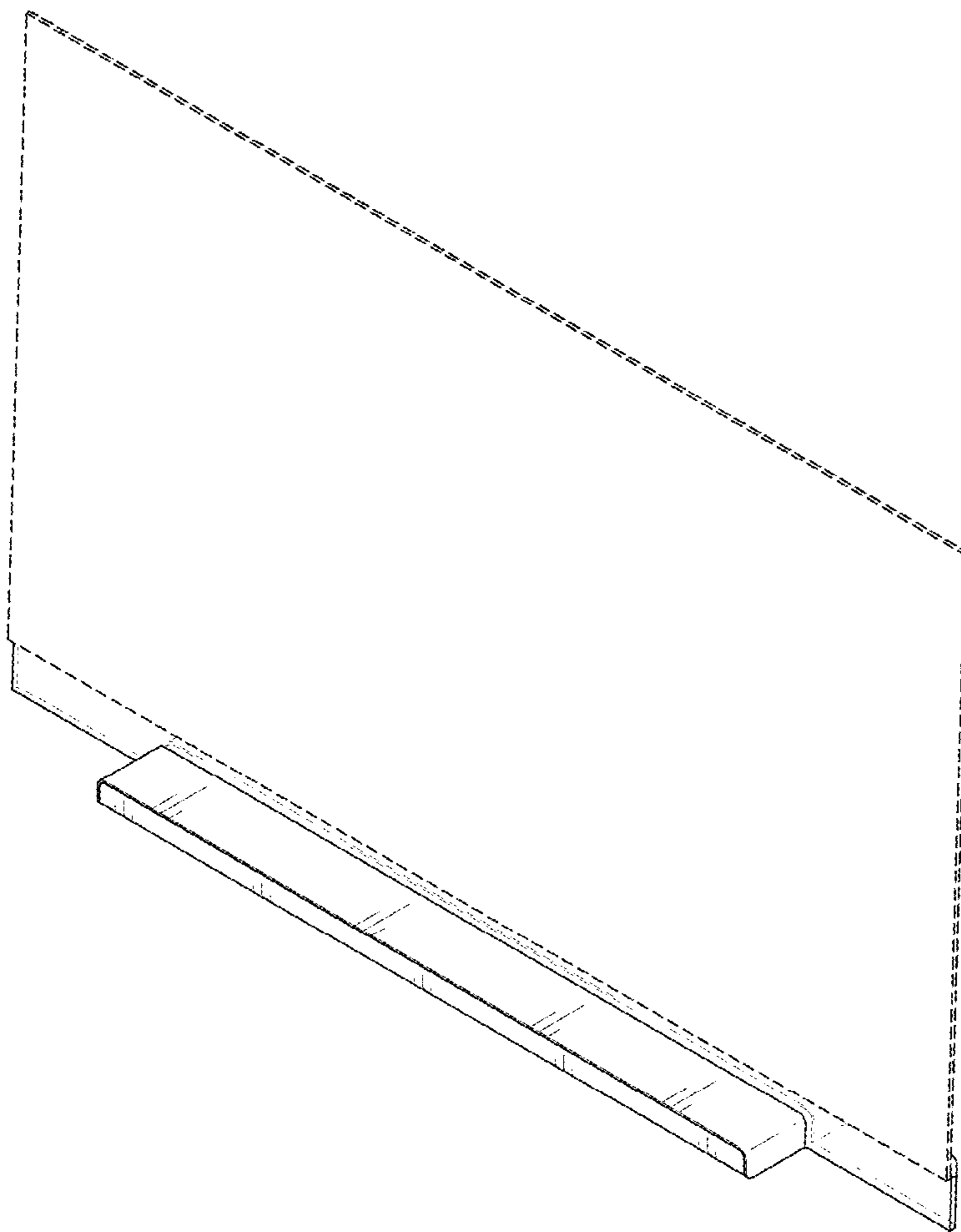


FIG. 9

