



US00D768114S

(12) **United States Design Patent** (10) **Patent No.:** **US D768,114 S**  
**Hou** (45) **Date of Patent:** **\*\* Oct. 4, 2016**

(54) **UNIVERSAL REMOTE CONTROL**  
(71) Applicant: **NO NDA INC.**, Palo Alto, CA (US)  
(72) Inventor: **Peikai Hou**, Fremont, CA (US)  
(\*\*) Term: **14 Years**  
(21) Appl. No.: **29/524,853**  
(22) Filed: **Apr. 23, 2015**  
(51) **LOC (10) Cl.** ..... **14-03**  
(52) **U.S. Cl.**  
USPC ..... **D14/218**; D14/388; D14/358; D13/168  
(58) **Field of Classification Search**  
USPC ..... D14/356-358, 203.1, 203.6, 216-218,  
D14/380, 388, 454, 496, 155, 299;  
D13/123, 158, 168; D10/104.1;  
D3/207, 208, 209, 215, 218; D16/237  
CPC ..... G08C 17/02; G08C 2201/192; H04N  
2005/4423; H04N 2005/4425; H04N  
2005/443; H04N 2005/4432; H04N  
2005/4435; H04N 2005/4405; H04N  
2005/4442; H04N 5/232; H04N 5/23203  
See application file for complete search history.

D371,793 S \* 7/1996 Patton ..... D14/218  
D408,590 S \* 4/1999 Litton ..... D28/82  
D417,452 S \* 12/1999 Wu ..... D14/192  
D439,376 S \* 3/2001 Lerolle ..... D28/82  
D450,446 S \* 11/2001 Morrone ..... D10/104.1  
D465,469 S \* 11/2002 Heath ..... D10/104.1  
D488,142 S \* 4/2004 Wang ..... D14/138 AB  
D512,060 S \* 11/2005 Wang ..... D14/480.1  
D521,231 S \* 5/2006 Ng ..... D3/208  
D522,743 S \* 6/2006 Lui ..... D3/207  
D524,295 S \* 7/2006 Jacobson ..... D14/218  
D550,633 S \* 9/2007 Gupta ..... D13/168  
D557,682 S \* 12/2007 Oas ..... D14/192  
D567,694 S \* 4/2008 Myers ..... D10/121  
D596,622 S \* 7/2009 Lee ..... D14/218  
D598,003 S \* 8/2009 Park ..... D14/149  
D602,915 S \* 10/2009 Song ..... D14/218  
D608,541 S \* 1/2010 Myers ..... D3/215  
D609,213 S \* 2/2010 Yeo ..... D14/203.1

(Continued)

*Primary Examiner* — Susan Bennett Hattan  
*Assistant Examiner* — Marie Fast Horse  
(74) *Attorney, Agent, or Firm* — Michael J. Sullivan

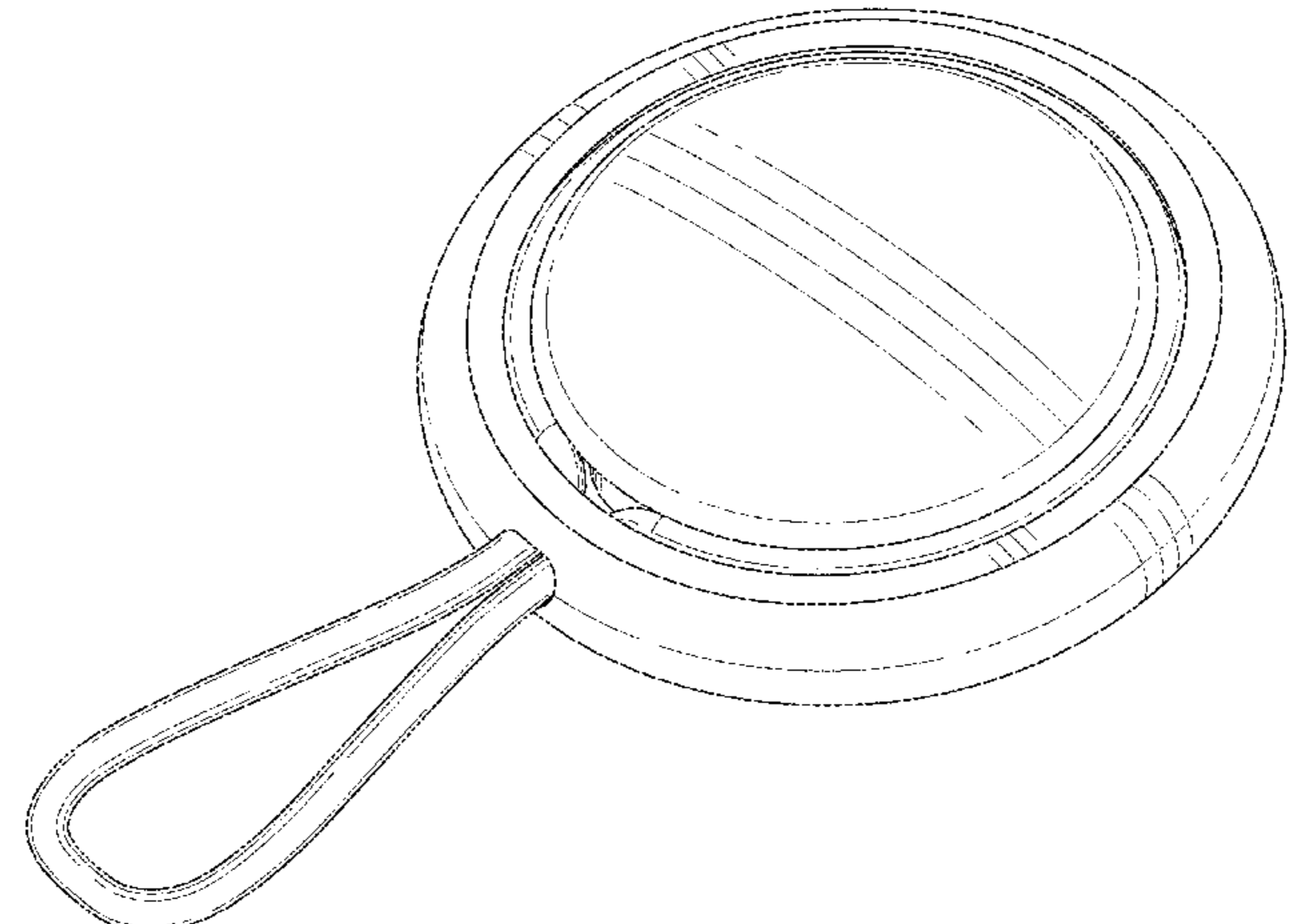
(57) **CLAIM**  
The ornamental design for a universal remote control, as shown and described.

(56) **References Cited**  
**U.S. PATENT DOCUMENTS**  
3,111,152 A \* 11/1963 Goessling ..... A44B 15/00  
206/37.8  
3,126,729 A \* 3/1964 Leopoldi ..... A44B 15/00  
24/598.2  
3,589,155 A \* 6/1971 Kamp ..... A44B 15/00  
70/459  
3,599,457 A \* 8/1971 Kamp ..... A44B 15/00  
70/459  
3,893,315 A \* 7/1975 Kamp ..... A44B 15/00  
70/456 R  
D244,105 S \* 4/1977 Piekarski ..... D99/34  
D247,995 S \* 5/1978 Lage ..... D3/211  
D331,060 S \* 11/1992 Emmons ..... D14/218  
5,243,430 A \* 9/1993 Emmons ..... H04B 1/202  
340/12.22  
D368,721 S \* 4/1996 Howell ..... D14/218

**DESCRIPTION**

FIG. 1 is a front, top, and left side perspective view of a universal remote control showing our new design;  
FIG. 2 is a front, bottom, and right side perspective view thereof;  
FIG. 3 is a rear, bottom, and right side perspective view thereof;  
FIG. 4 is a rear, top, and left side perspective view thereof;  
FIG. 5 is a top plan view thereof;  
FIG. 6 is bottom plan view thereof;  
FIG. 7 is a left side elevational view thereof;  
FIG. 8 is a right side elevational view thereof;  
FIG. 9 is a front side elevational view thereof; and,  
FIG. 10 is a rear side elevational view thereof.

**1 Claim, 10 Drawing Sheets**



(56)

References Cited

U.S. PATENT DOCUMENTS

D627,306 S *	11/2010	Charleux .....	D13/168	D647,810 S *	11/2011	Bohrer .....	D10/106.9
D632,265 S *	2/2011	Choi .....	D13/168	D656,103 S *	3/2012	Seki .....	D13/168
D633,085 S *	2/2011	Chiu .....	D11/5	D683,350 S *	5/2013	Jarosinski .....	D11/3
D637,178 S *	5/2011	Chiu .....	D14/218	D685,790 S *	7/2013	Tang .....	D14/218
D643,412 S *	8/2011	Brady .....	D14/218	D726,035 S *	4/2015	Perez .....	D10/65
D643,414 S *	8/2011	Lee .....	D14/205	D733,889 S *	7/2015	Brandis .....	D24/174
D645,818 S *	9/2011	Guccione .....	D13/108	D738,858 S *	9/2015	Tuhkanen .....	D14/218
				D749,666 S *	2/2016	Ahdoot .....	D14/218
				9,247,787 B2 *	2/2016	Dering .....	A45F 5/00

\* cited by examiner

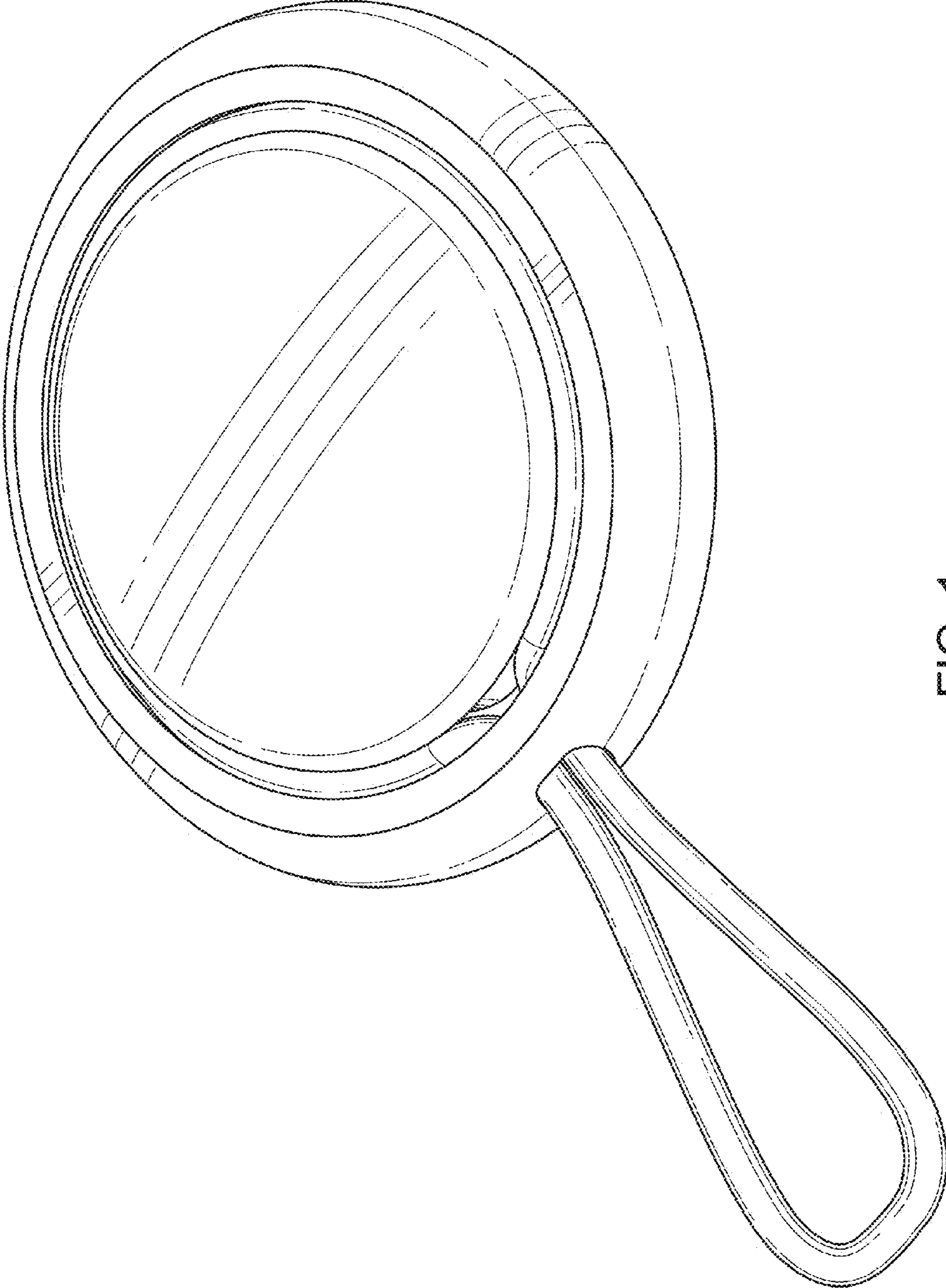


FIG. 1

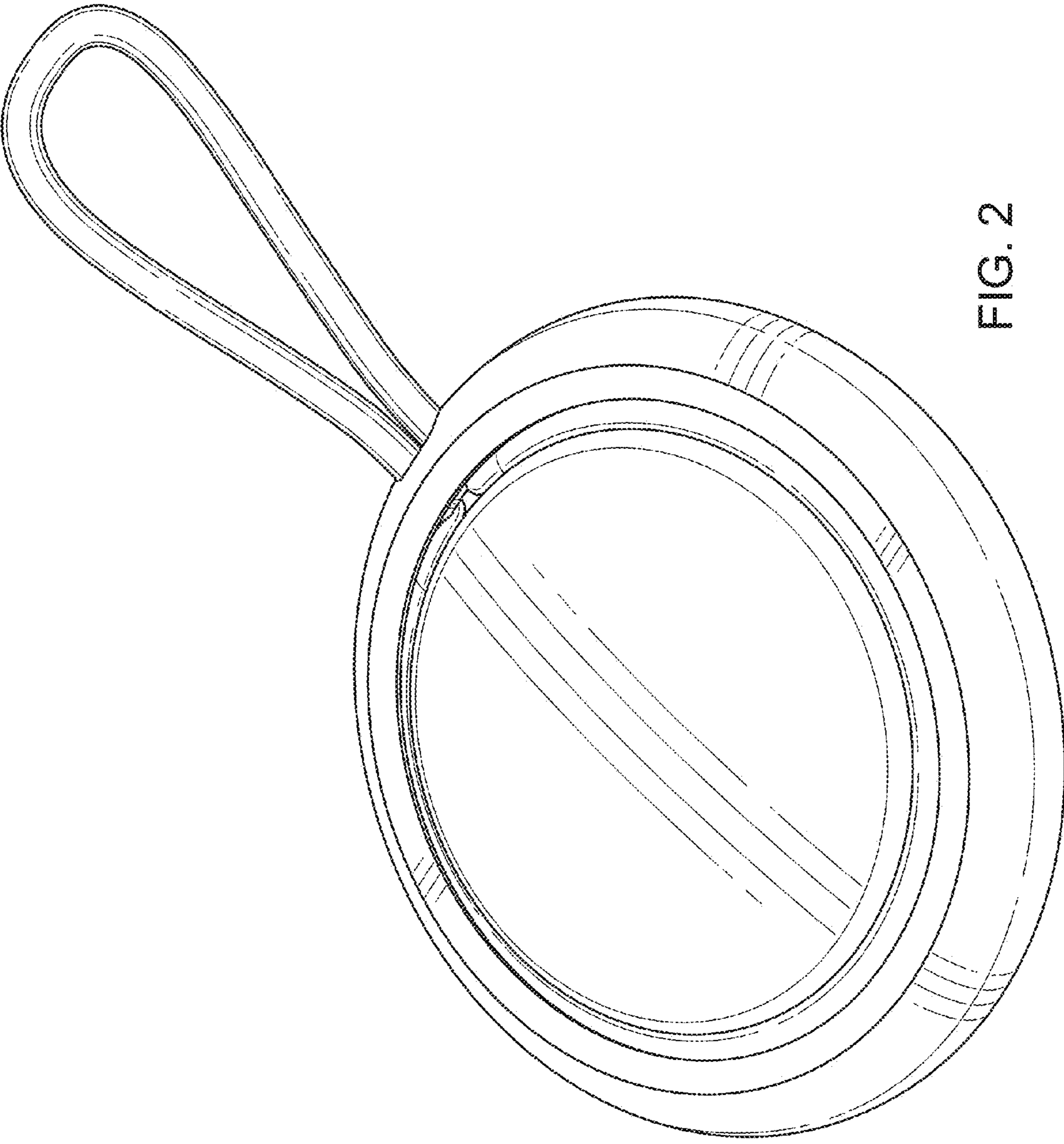


FIG. 2

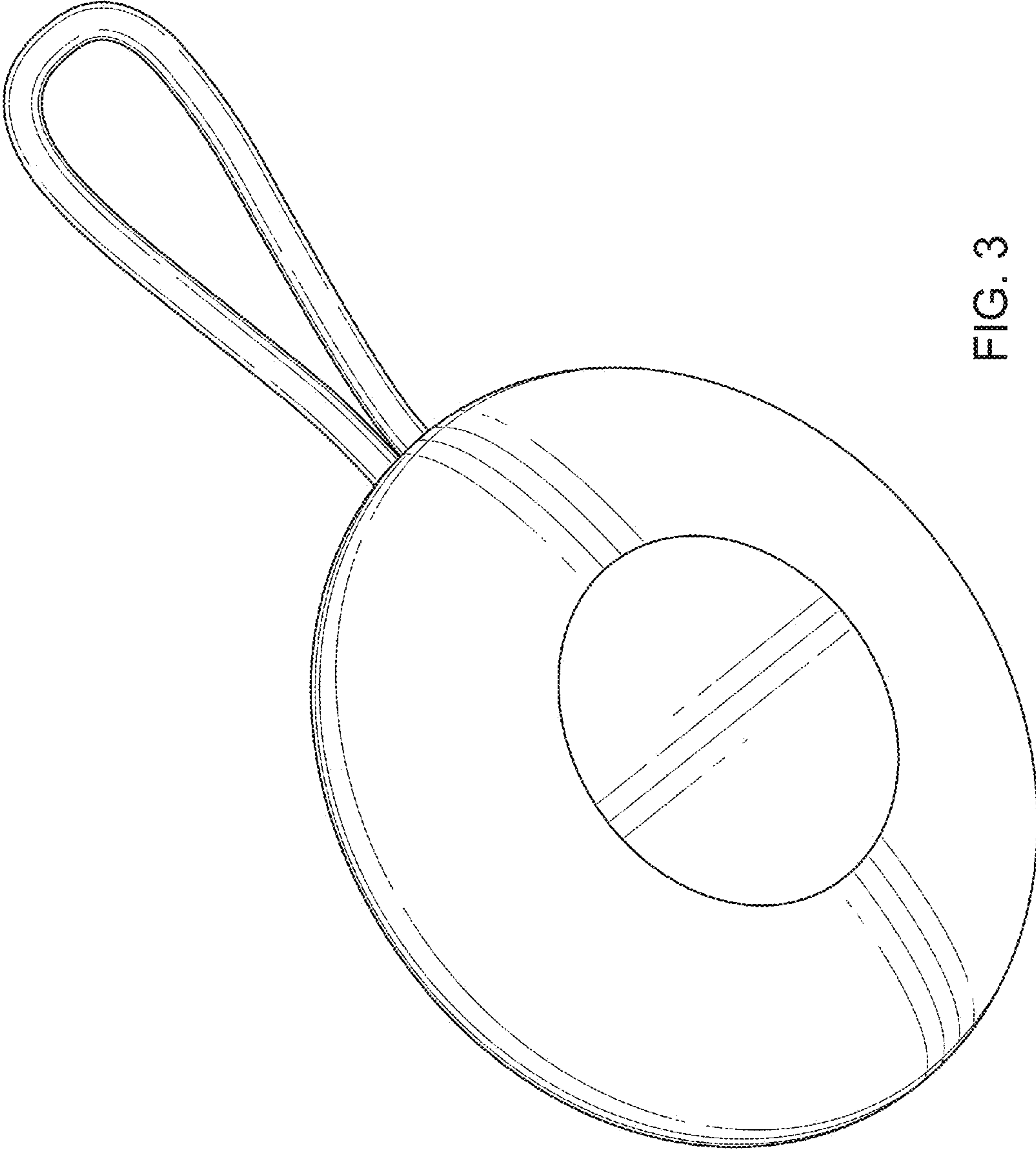


FIG. 3

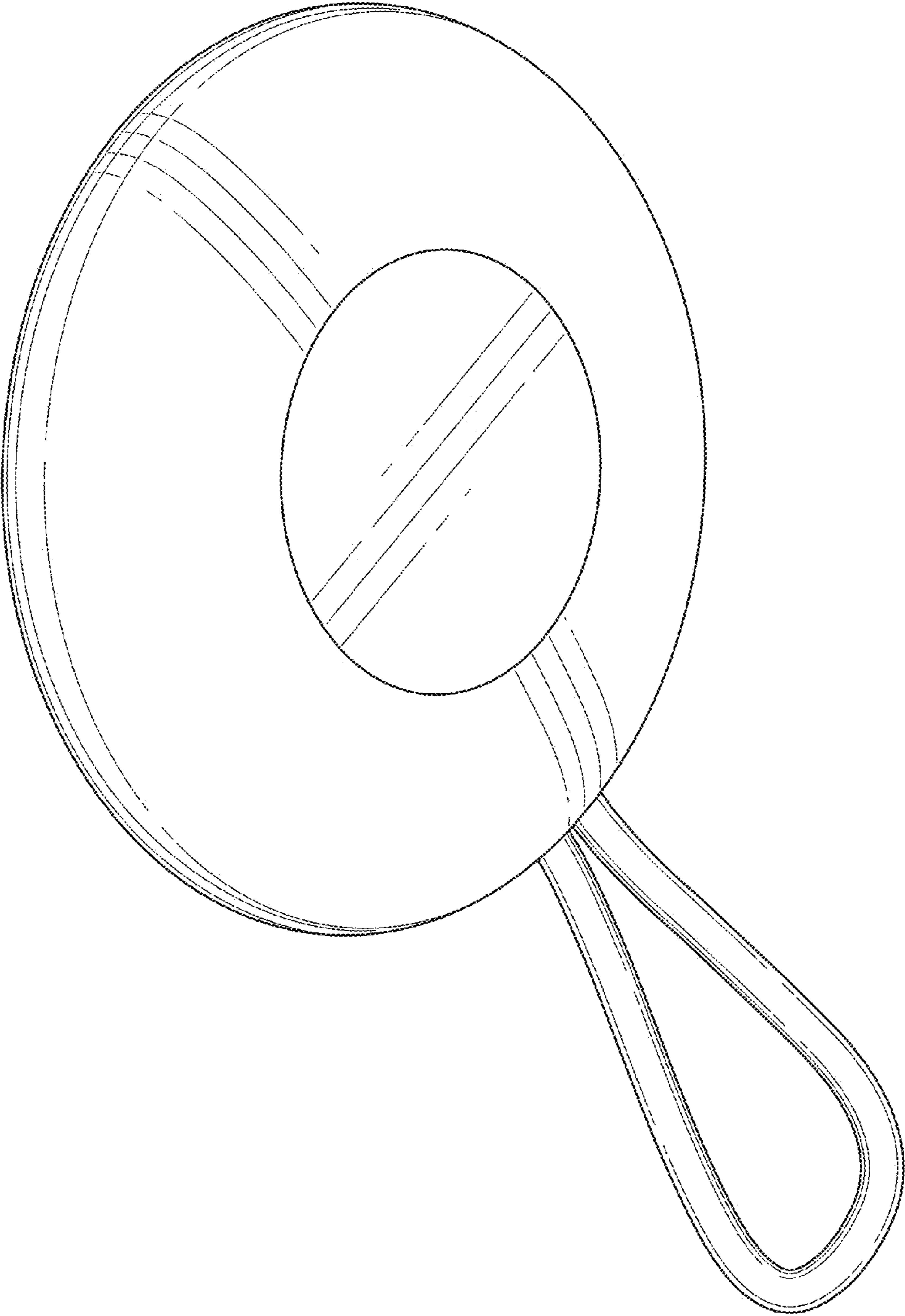


FIG. 4

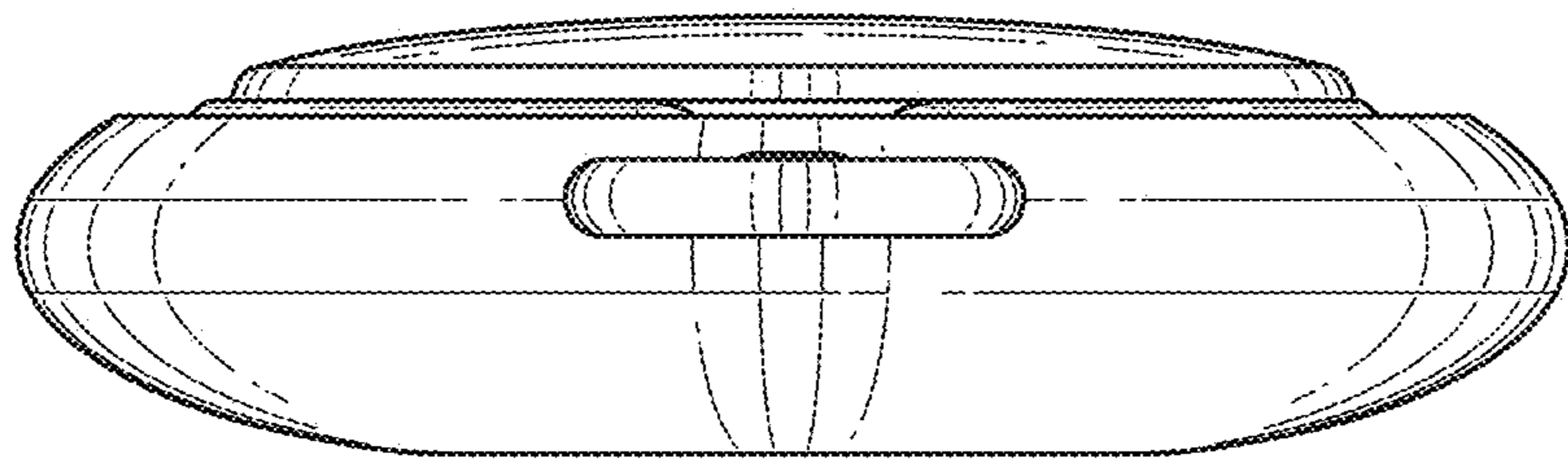


FIG. 5

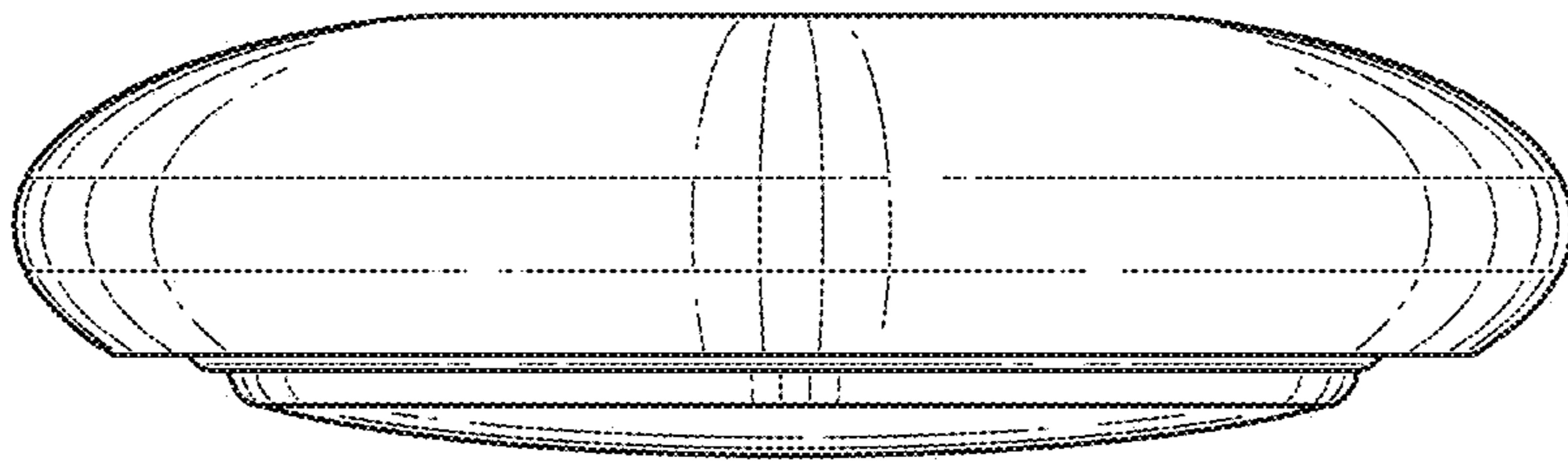


FIG. 6



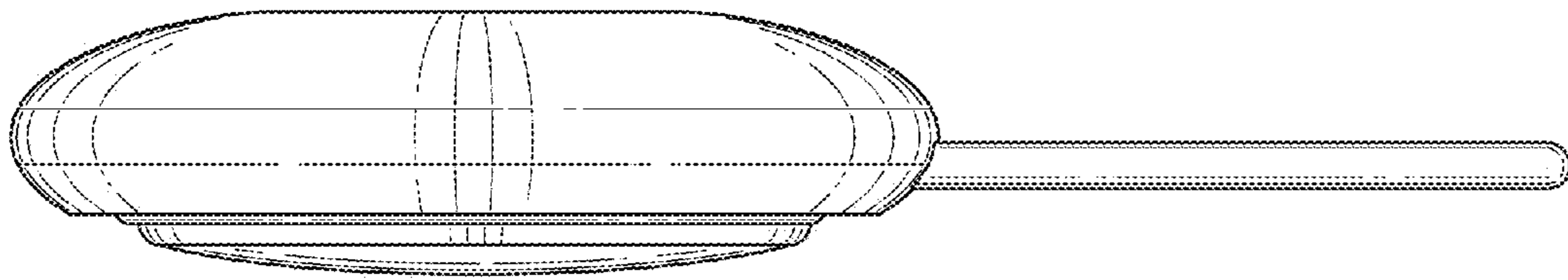


FIG. 7

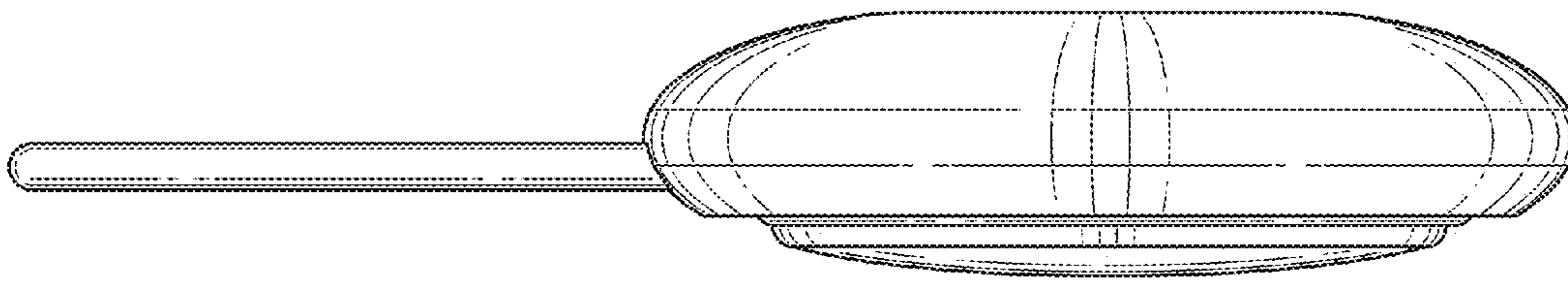


FIG. 8

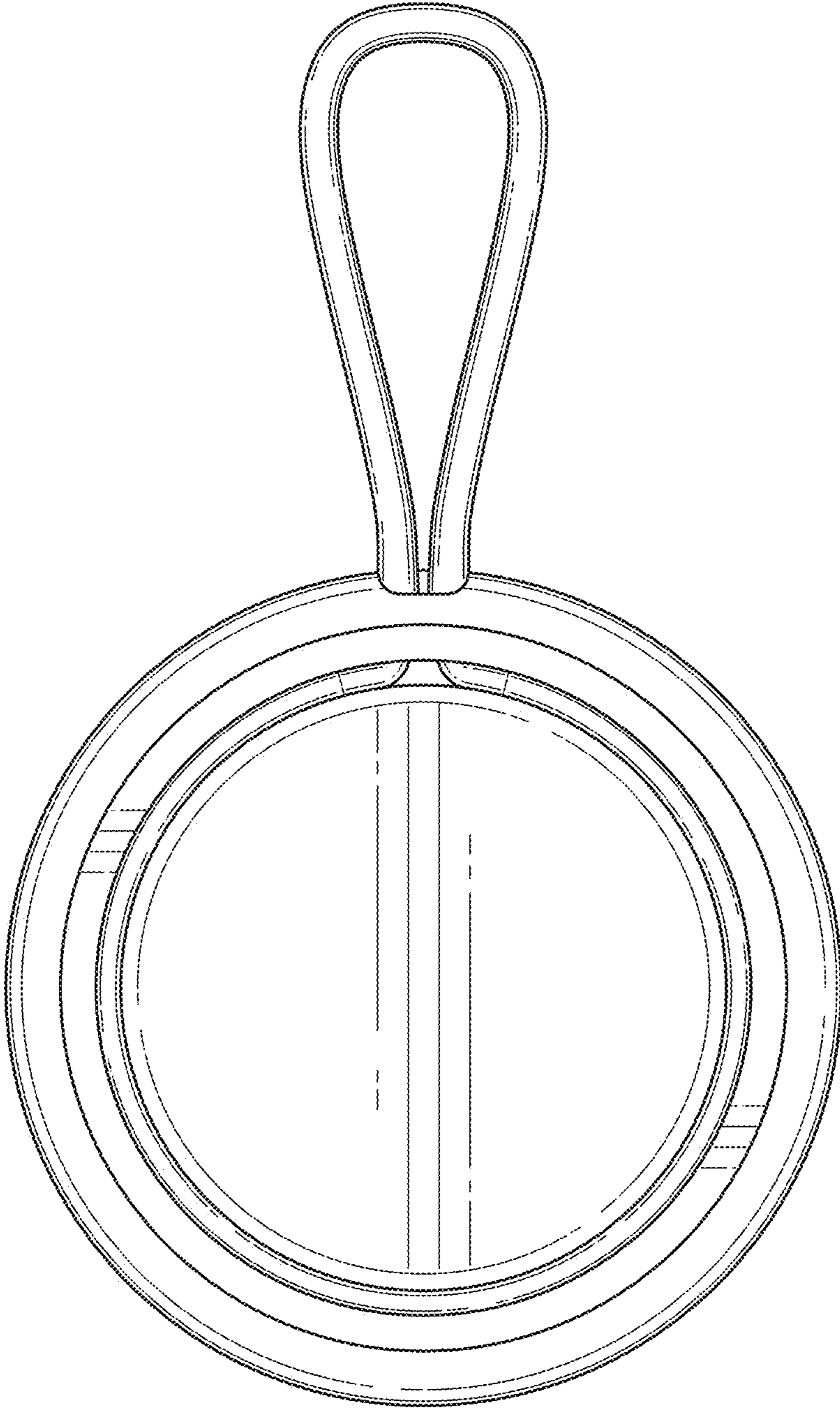


FIG. 9

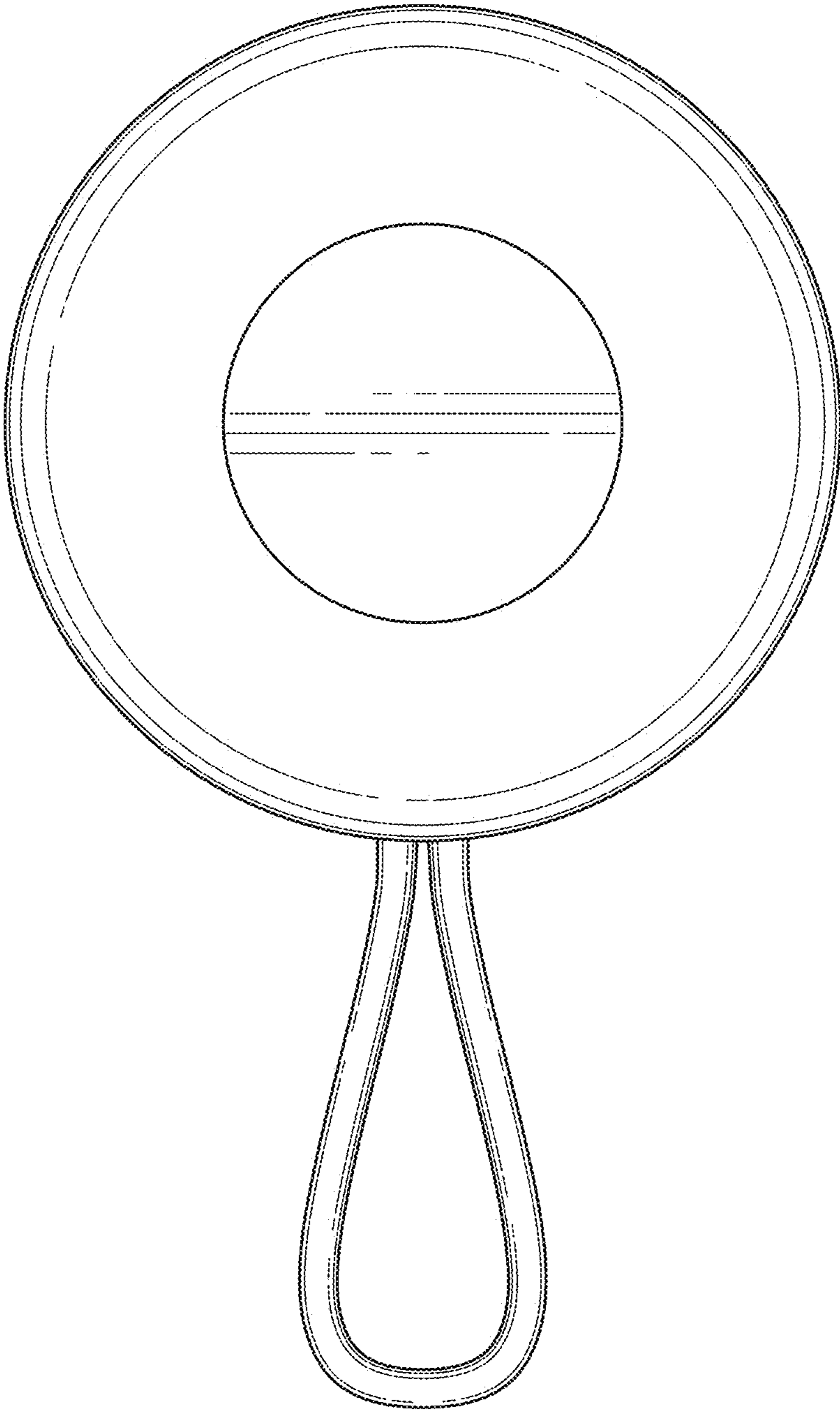


FIG. 10