



US00D768111S

(12) **United States Design Patent**  
**Nam et al.**

(10) **Patent No.:** **US D768,111 S**

(45) **Date of Patent:** **\*\* Oct. 4, 2016**

- (54) **HEADSET**
- (71) Applicant: **Hewlett-Packard Development Company, L.P.**, Houston, TX (US)
- (72) Inventors: **Youjin Nam**, Houston, TX (US); **Cyril Moïshe Denis Mathieu**, Marseilles (FR); **Noe Baudouin**, La Garde Freinet (FR)
- (73) Assignee: **Hewlett-Packard Development Company, L.P.**, Houston, TX (US)
- (\*\*) Term: **14 Years**
- (21) Appl. No.: **29/524,364**
- (22) Filed: **Apr. 20, 2015**
- (51) **LOC (10) Cl.** ..... **14-01**
- (52) **U.S. Cl.**  
USPC ..... **D14/205**
- (58) **Field of Classification Search**  
USPC ..... D14/205, 188, 192; D29/112; 2/209; 181/129, 130, 135; 379/430, 431; 381/380, 381; 455/90.3, 575.1  
CPC ..... H04R 5/033; H04R 5/0335; H04R 25/00  
See application file for complete search history.

(56) **References Cited**

**U.S. PATENT DOCUMENTS**

- 1,555,997 A \* 10/1925 Lidberg ..... H04R 1/1066  
381/374
- 2,420,245 A \* 5/1947 Hurst ..... A61F 11/06  
2/209
- 2,754,519 A \* 7/1956 Kindel ..... A61F 11/14  
128/866
- 2,782,423 A \* 2/1957 Simon ..... A61F 11/14  
2/209
- 3,505,684 A \* 4/1970 Hutchinson ..... A61F 11/14  
2/209
- 3,562,816 A \* 2/1971 Hutchinson ..... A61F 11/14  
2/209
- D246,359 S \* 11/1977 Powers ..... D34/21
- D262,019 S \* 11/1981 Upshaw ..... D14/205

- 4,472,607 A \* 9/1984 Houng ..... H04M 1/05  
181/18
- 4,597,469 A \* 7/1986 Nagashima ..... H04R 5/0335  
181/129
- D292,205 S \* 10/1987 Kikutani ..... 381/378
- D300,133 S \* 3/1989 Daidoh ..... D14/205
- 5,293,647 A \* 3/1994 Mirmilshteyn ..... H04R 1/10  
2/209
- D534,156 S \* 12/2006 Obata ..... D14/205
- D540,301 S \* 4/2007 Obata ..... D14/205
- D544,464 S \* 6/2007 Lee ..... D14/205
- 7,245,735 B2 \* 7/2007 Han ..... H04R 1/1008  
379/430
- D556,187 S \* 11/2007 Feng ..... D14/205
- D563,382 S \* 3/2008 Wikel ..... D14/205
- D571,354 S \* 6/2008 Ng ..... D14/205
- D582,398 S \* 12/2008 Nam ..... D14/223
- D582,898 S \* 12/2008 Nam ..... D14/223
- D584,294 S \* 1/2009 Nam ..... D14/223
- D585,881 S \* 2/2009 Nam ..... D14/205
- D620,474 S \* 7/2010 Komiyama ..... D14/205
- D633,895 S \* 3/2011 Morimoto ..... D14/205
- D634,725 S \* 3/2011 Ewing, Jr. .... D14/138 G
- D654,472 S \* 2/2012 Fischer ..... D14/206
- D663,717 S \* 7/2012 Hutchieson ..... D14/206

(Continued)

*Primary Examiner* — Paula Greene

(74) *Attorney, Agent, or Firm* — Foley & Lardner-Billing

(57) **CLAIM**

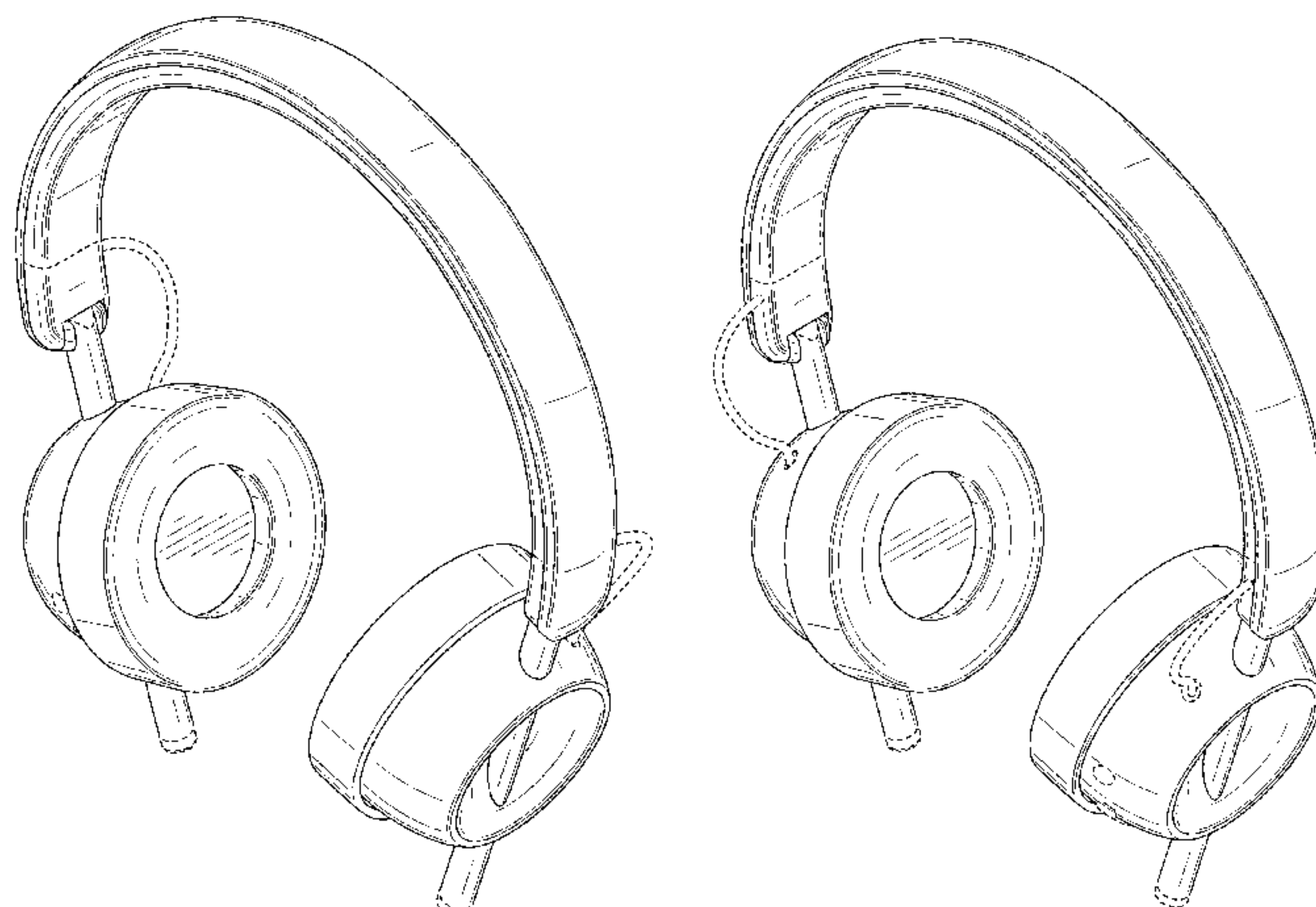
We claim the ornamental design for a headset, as shown and described.

**DESCRIPTION**

FIG. 1 is a top, front, right perspective view of an embodiment of the claimed design according to a first embodiment; FIG. 2 is a top, rear, left perspective view thereof; FIG. 3 is a front elevation view thereof; FIG. 4 is a rear elevation view thereof; FIG. 5 is a right side elevation view thereof; FIG. 6 is a left side elevation view thereof; FIG. 7 is a top plan view thereof; and, FIG. 8 is a bottom plan view thereof.

The ornamental design which is claimed is shown in solid lines in the drawings. The broken lines formed by dashes show unclaimed subject matter and form no part of the claimed design.

**1 Claim, 6 Drawing Sheets**



# US D768,111 S

Page 2

---

(56)

## References Cited

### U.S. PATENT DOCUMENTS

D684,559 S \* 6/2013 Groset ..... D14/205  
D686,593 S \* 7/2013 Larsen ..... D14/205  
8,755,555 B2 \* 6/2014 Dougherty ..... H04R 1/1066  
381/370

D708,164 S \* 7/2014 Ishikura ..... D14/205  
D713,374 S \* 9/2014 Farrage ..... D14/205  
D722,998 S \* 2/2015 Sancho ..... D14/205

\* cited by examiner

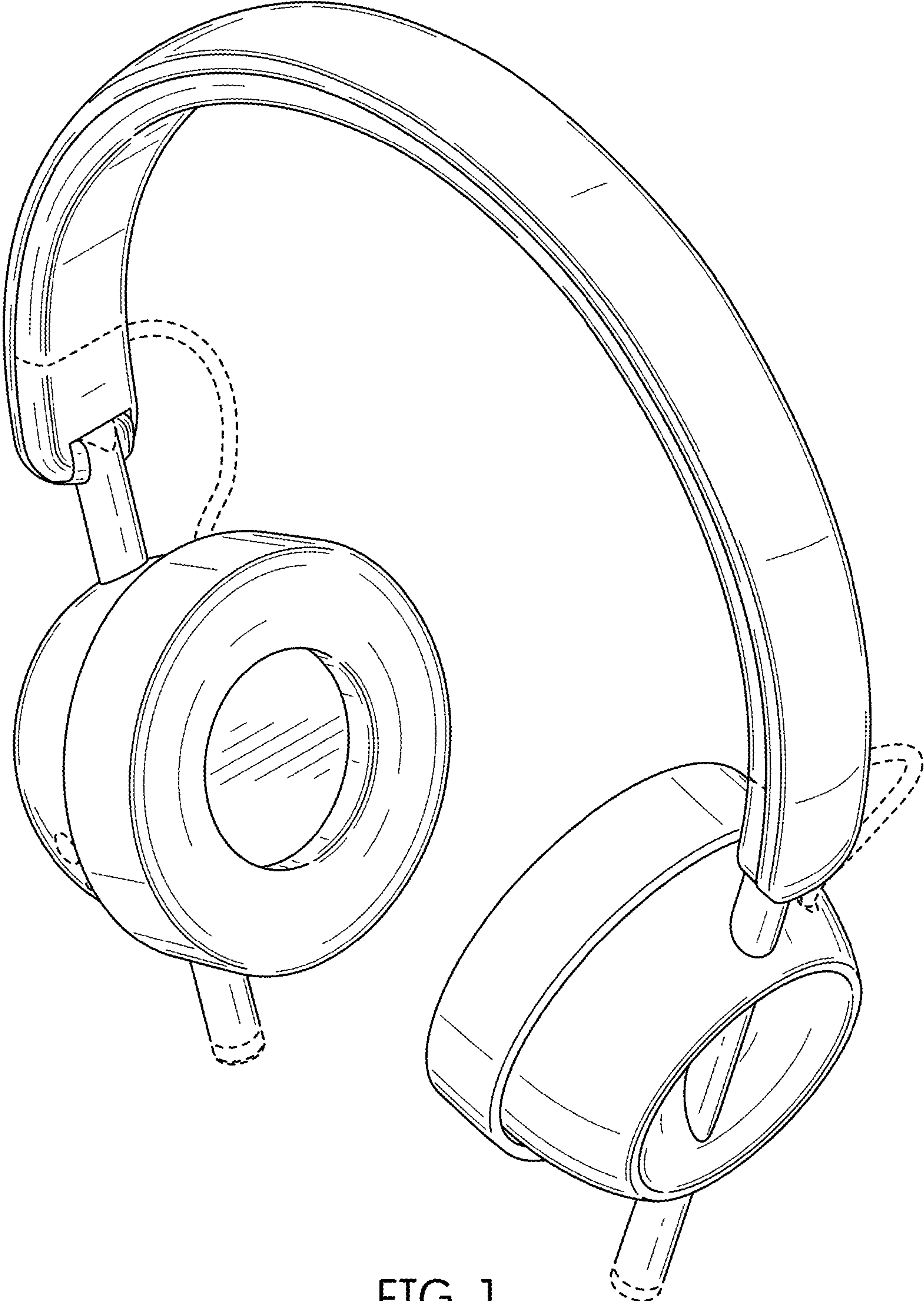


FIG. 1



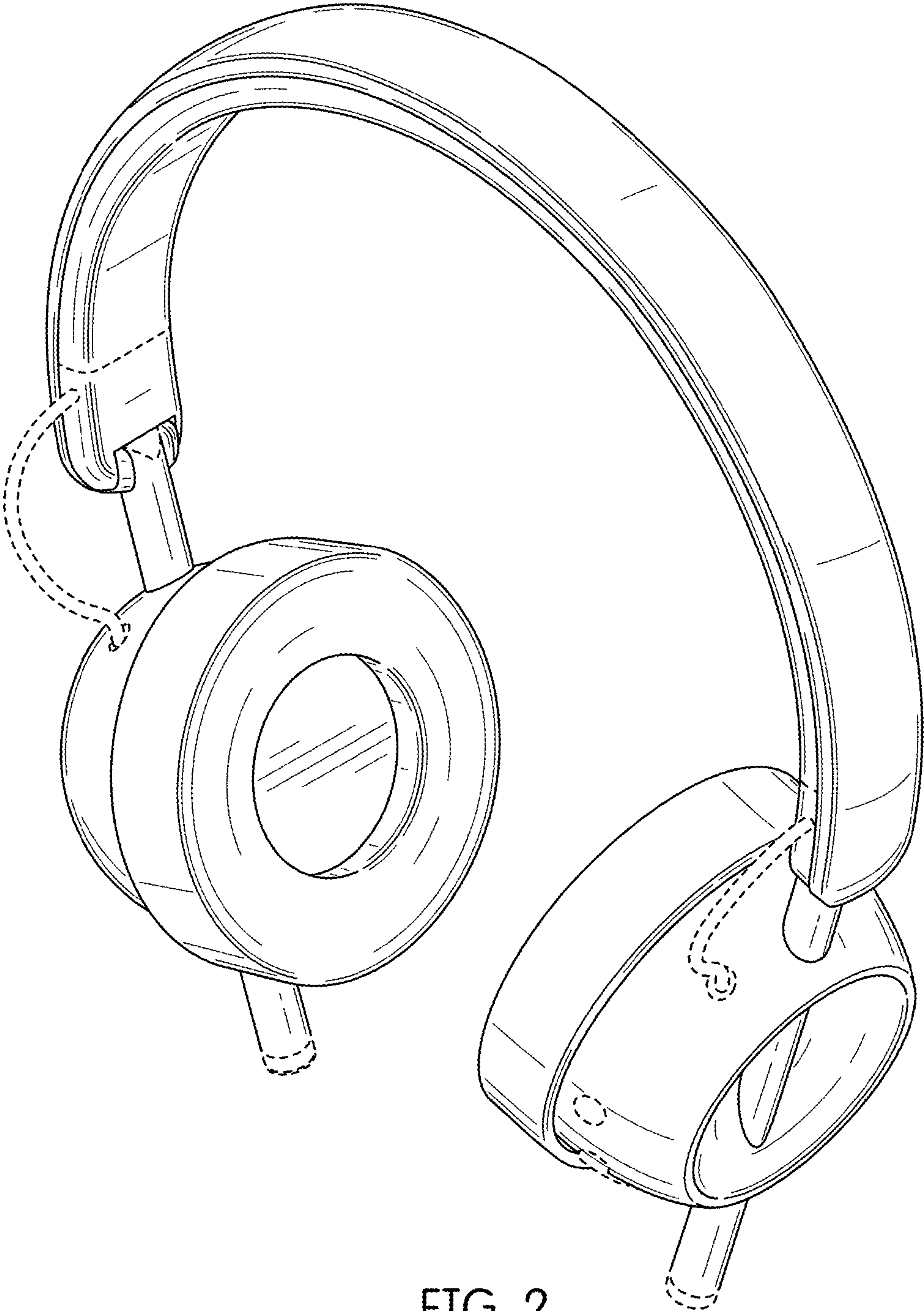


FIG. 2

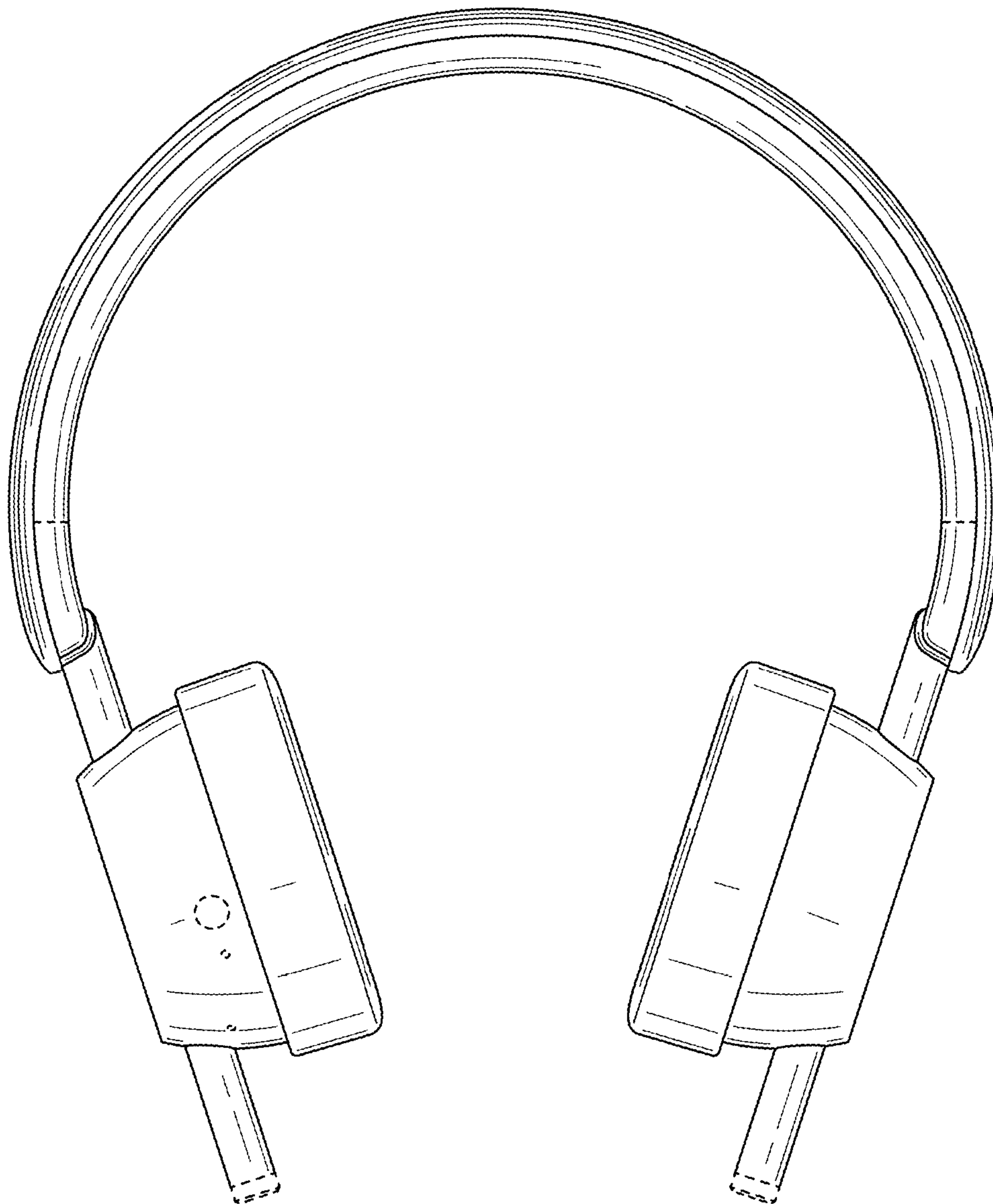


FIG. 3

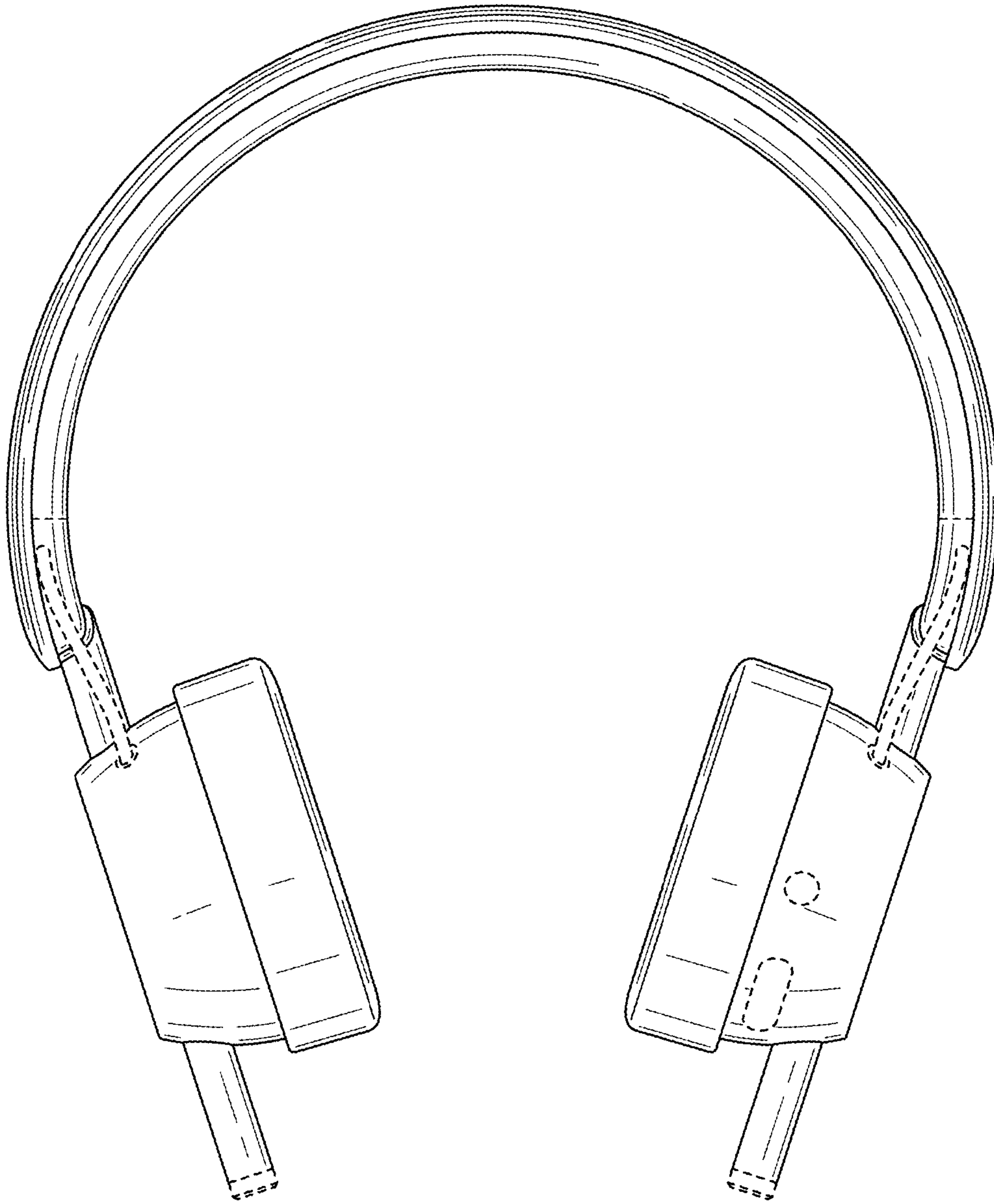


FIG. 4

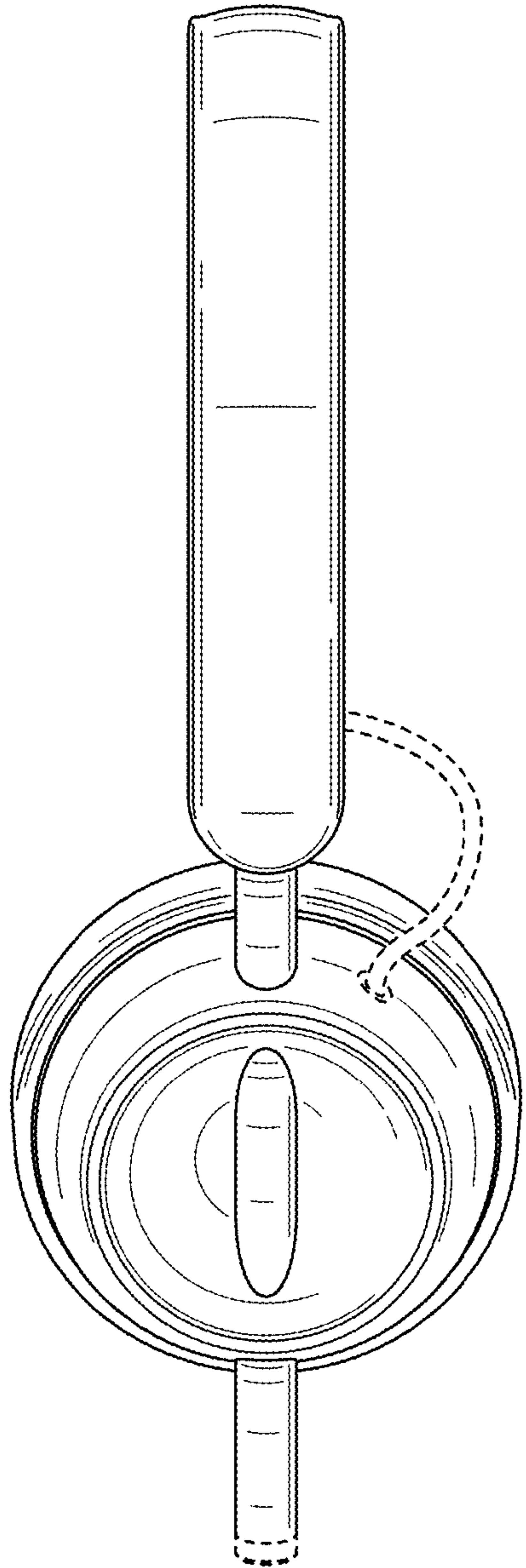


FIG. 5

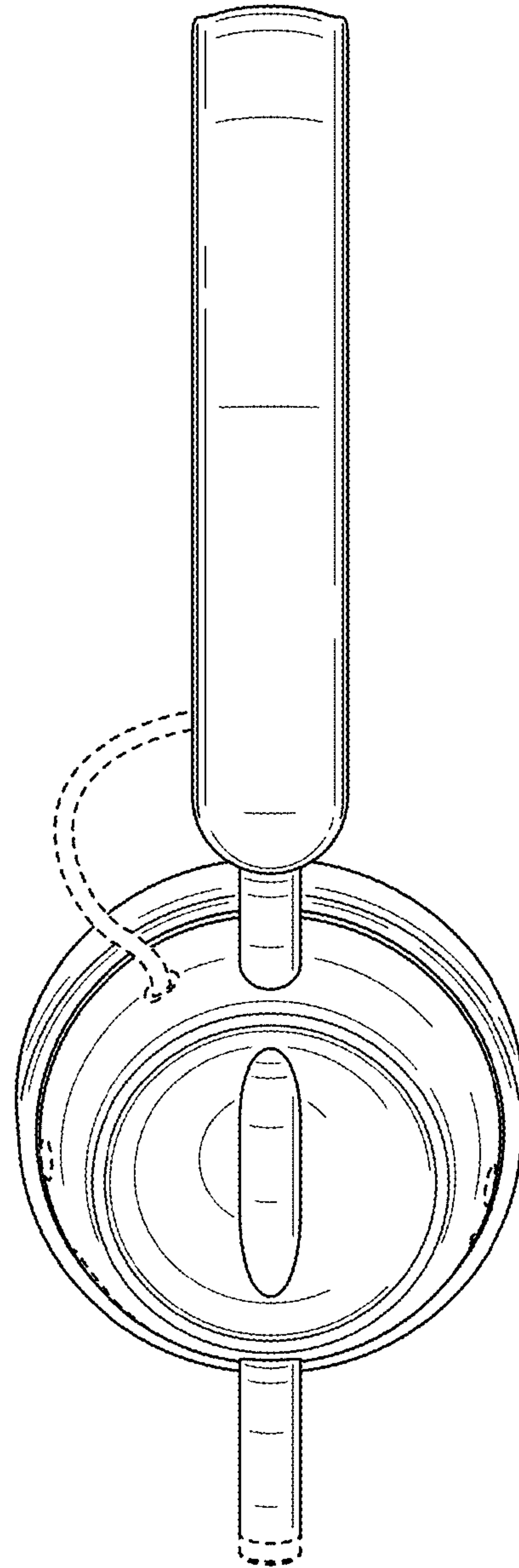


FIG. 6

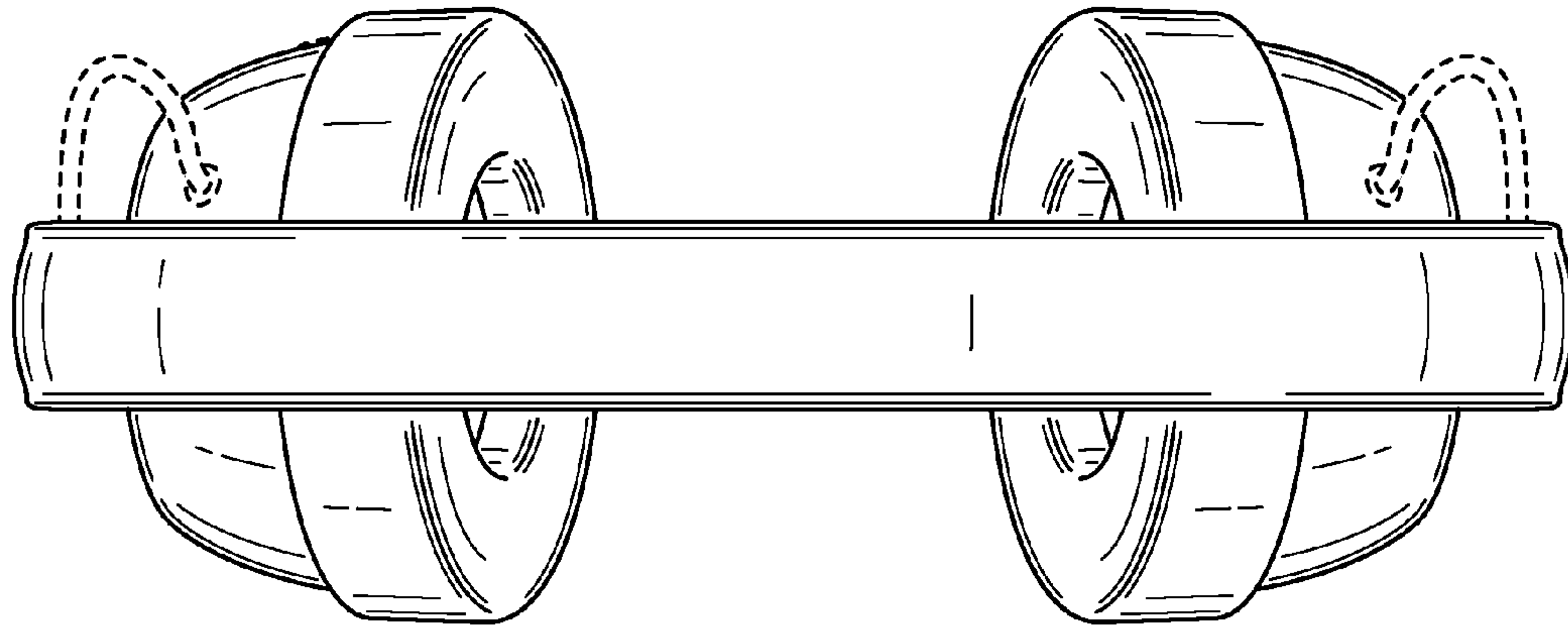


FIG. 7

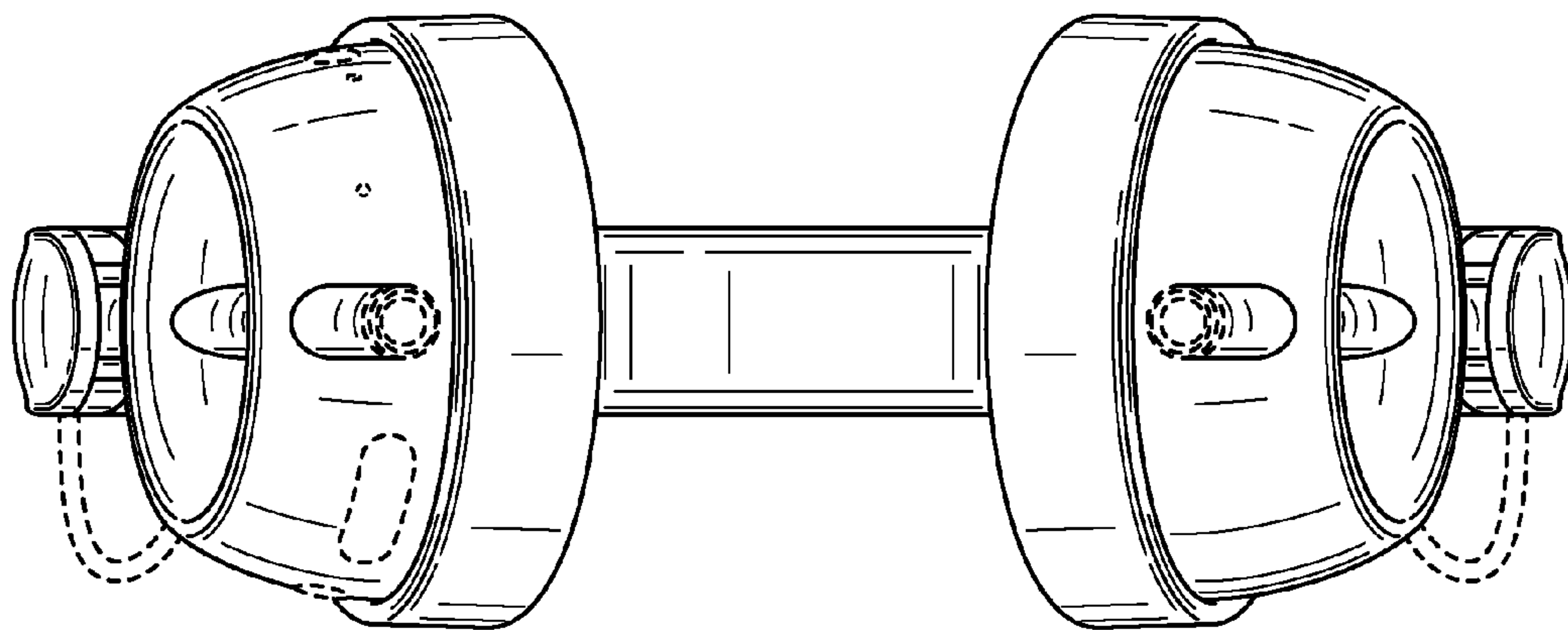


FIG. 8