

US00D768110S

(12) **United States Design Patent**  
**Suzuki**

(10) **Patent No.:** **US D768,110 S**  
(45) **Date of Patent:** **\*\* Oct. 4, 2016**

(54) **HEADPHONE**

(71) Applicant: **JVC KENWOOD Corporation,**  
Yokohama-shi, Kanagawa (JP)

(72) Inventor: **Yasuhiro Suzuki,** Yamato (JP)

(73) Assignee: **JVC KENWOOD CORPORATION,**  
Yokohama-Shi, Kanagawa (JP)

(\*\*) Term: **14 Years**

(21) Appl. No.: **29/521,311**

(22) Filed: **Mar. 23, 2015**

(30) **Foreign Application Priority Data**

Dec. 25, 2014 (JP) ..... 2014029105

(51) **LOC (10) Cl.** ..... **14-01**

(52) **U.S. Cl.**  
USPC ..... **D14/205**

(58) **Field of Classification Search**  
USPC ..... D14/206, 205; D29/112; 2/209;  
181/129, 130, 135; 379/430, 431;  
381/380, 381, 370, 374, 371; 455/90.3,  
455/575.1

CPC ..... H04R 5/0335; H04R 25/00; H04R 1/02  
See application file for complete search history.

(56) **References Cited**

**U.S. PATENT DOCUMENTS**

- 2,437,049 A \* 3/1948 Salisbury ..... A61F 11/14  
128/866
- D328,074 S \* 7/1992 Yamazaki ..... D14/205
- D328,461 S \* 8/1992 Daido ..... D14/205
- D337,115 S \* 7/1993 Yamazaki ..... D14/205
- D345,163 S \* 3/1994 Yamatogi ..... D14/205
- D358,389 S \* 5/1995 Isono ..... D14/205
- D549,688 S \* 8/2007 Suzuki ..... D14/205
- 7,391,878 B2 \* 6/2008 Liao ..... H04R 5/033  
381/370
- D581,394 S \* 11/2008 Lee ..... D14/205
- D588,098 S \* 3/2009 Kurihara ..... D14/205

- D594,847 S \* 6/2009 Suzuki ..... D14/205
- D603,370 S \* 11/2009 Suzuki ..... D14/205
- D625,705 S \* 10/2010 Ohori ..... D14/205
- D634,732 S \* 3/2011 Kondo ..... D14/205
- D637,176 S \* 5/2011 Brunner ..... D14/205
- D642,554 S \* 8/2011 Schaal ..... D14/205
- 8,098,872 B2 \* 1/2012 Chang ..... H04R 1/1075  
381/370
- D657,346 S \* 4/2012 Park ..... D14/205
- D662,080 S \* 6/2012 Carr ..... D14/205
- D673,519 S \* 1/2013 Tan ..... D14/205
- D674,767 S \* 1/2013 Brunner ..... D14/205
- D696,226 S \* 12/2013 Brunner ..... D14/205
- D707,200 S \* 6/2014 Yang ..... D14/205
- 8,774,420 B2 \* 7/2014 Belafonte ..... H04R 1/2811  
381/182
- D716,762 S \* 11/2014 Greve ..... D14/206
- D719,136 S \* 12/2014 Schaal ..... D14/205
- D721,052 S \* 1/2015 Carr ..... D14/205
- D734,297 S \* 7/2015 Sasaki ..... D14/205
- D739,842 S \* 9/2015 Birger ..... D14/205
- D750,041 S \* 2/2016 Birger ..... D14/205

\* cited by examiner

*Primary Examiner* — Paula Greene

(74) *Attorney, Agent, or Firm* — Nath, Goldberg & Meyer; Jerald L. Meyer; Christopher Thomas

(57) **CLAIM**

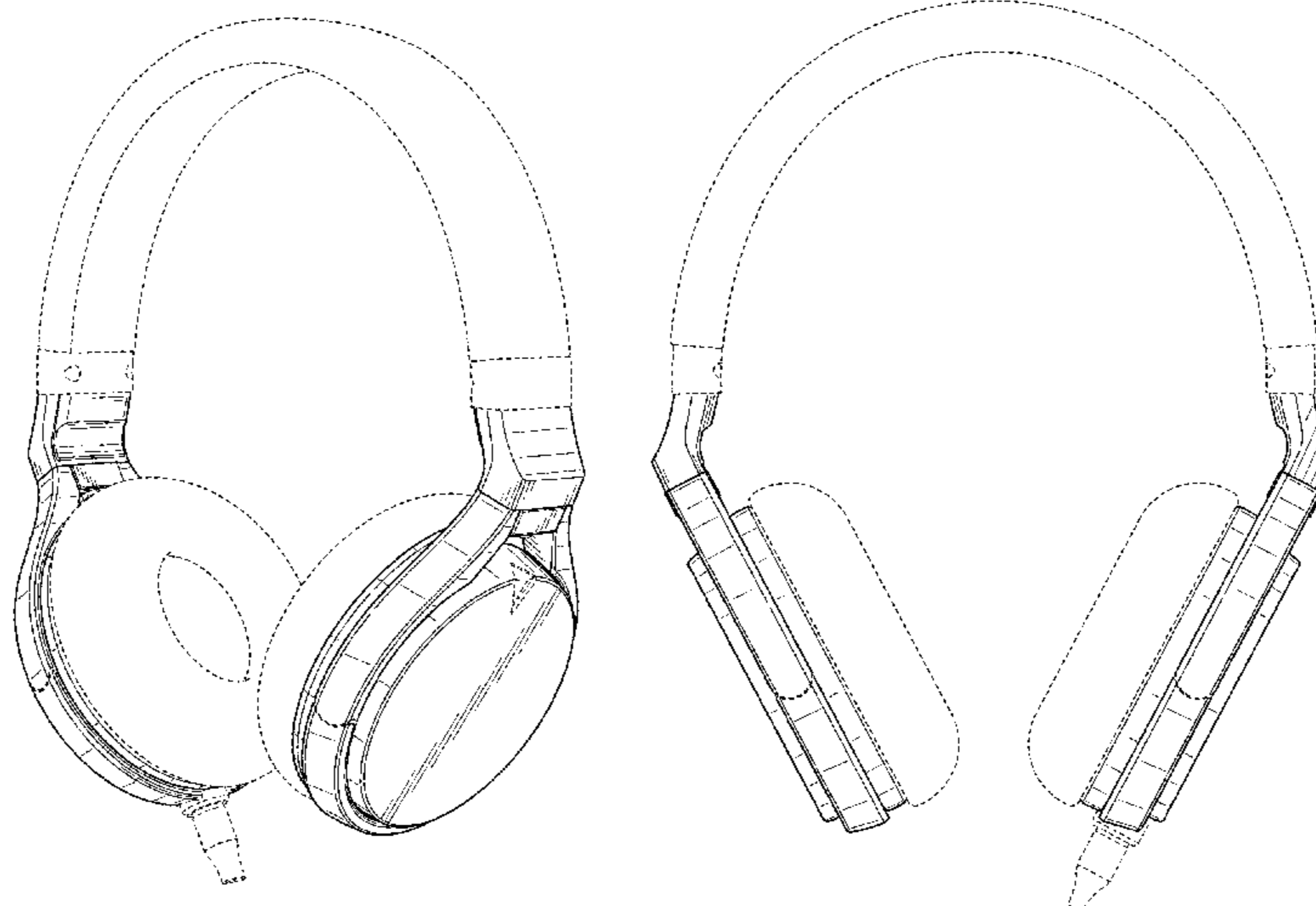
The ornamental design for a headphone, as shown and described.

**DESCRIPTION**

FIG. 1 is a front perspective view of a headphone showing my new design, the rear perspective view is a mirror image; FIG. 2 is a front view thereof; FIG. 3 is a rear view thereof; FIG. 4 is a top plan view thereof; FIG. 5 is a bottom plan view thereof; FIG. 6 is a right side view thereof; and, FIG. 7 is a left side view thereof.

The portions of the drawings shown in broken lines are for illustrative purposes only and the broken lines form no part of the claimed design.

**1 Claim, 7 Drawing Sheets**



*FIG. 1*

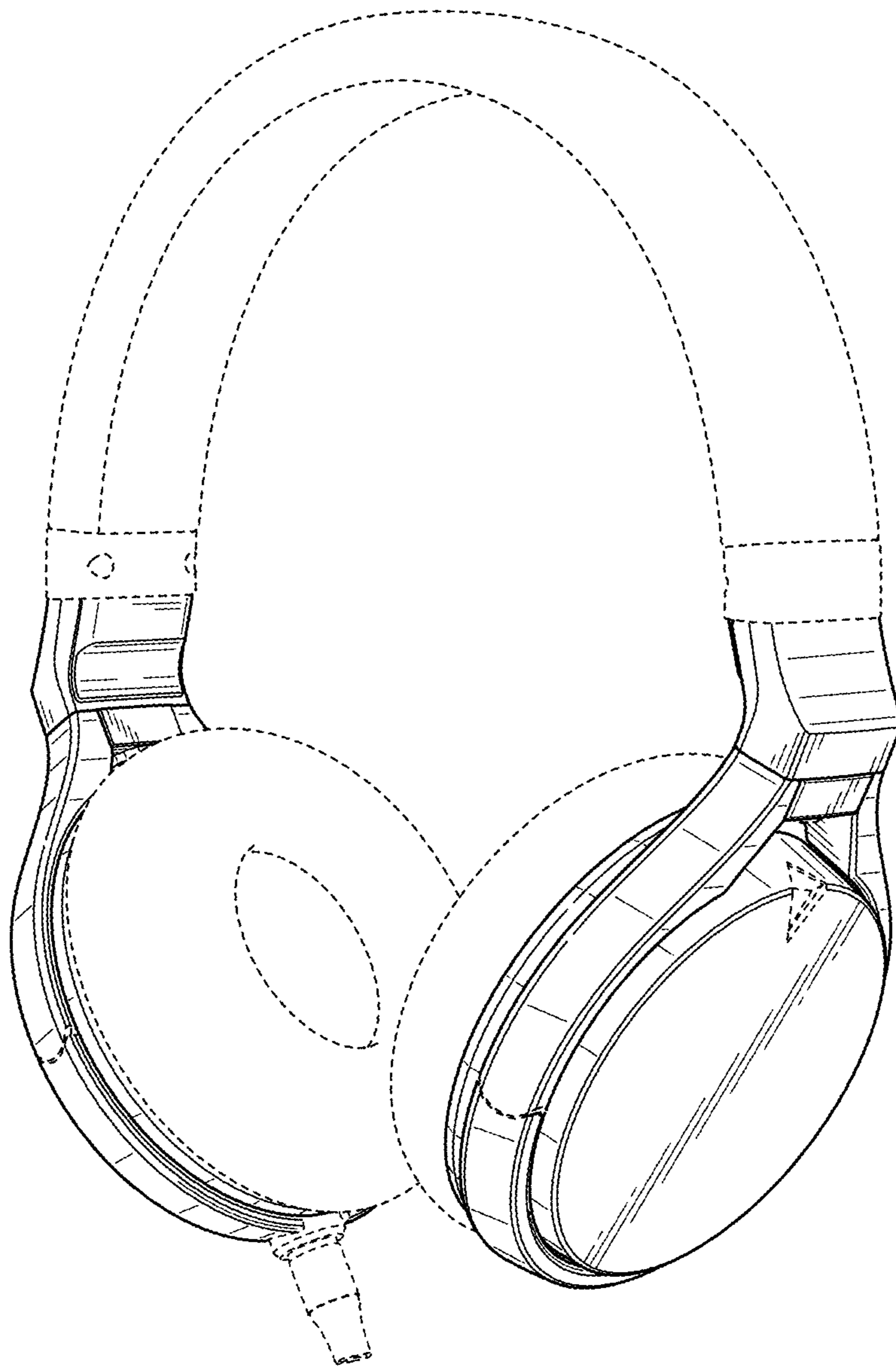


FIG. 2

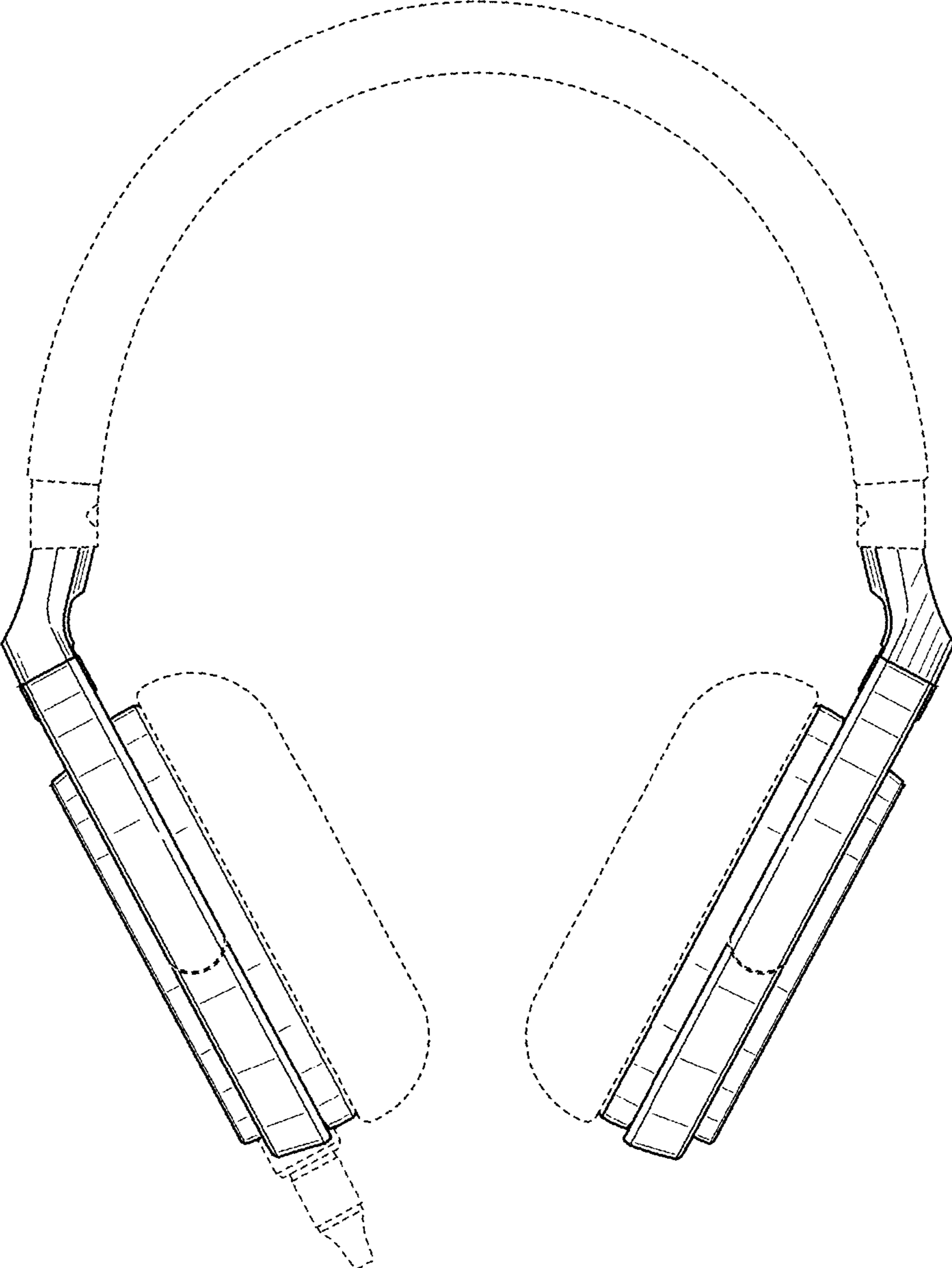
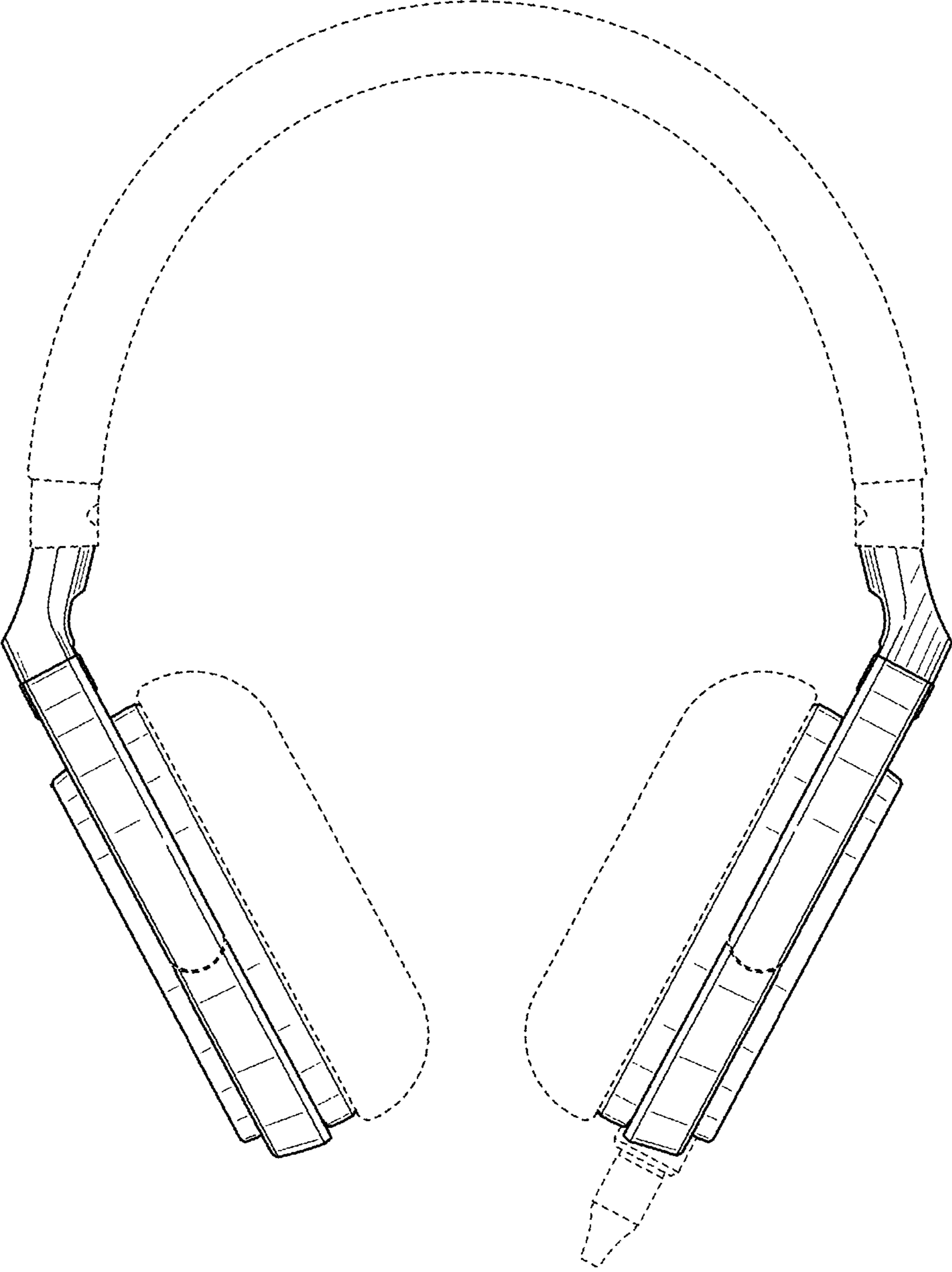
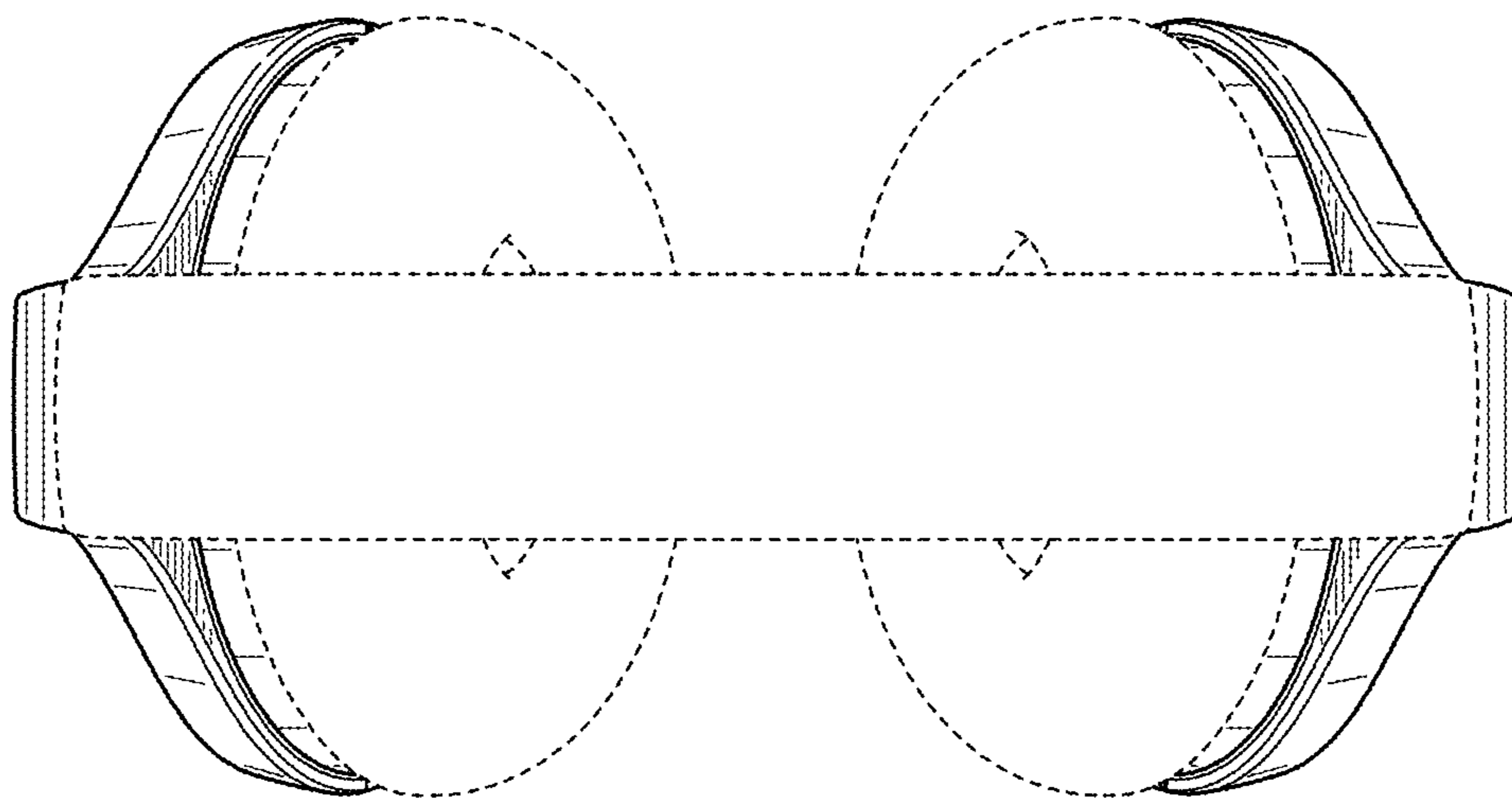


FIG. 3



*FIG. 4*



*FIG. 5*

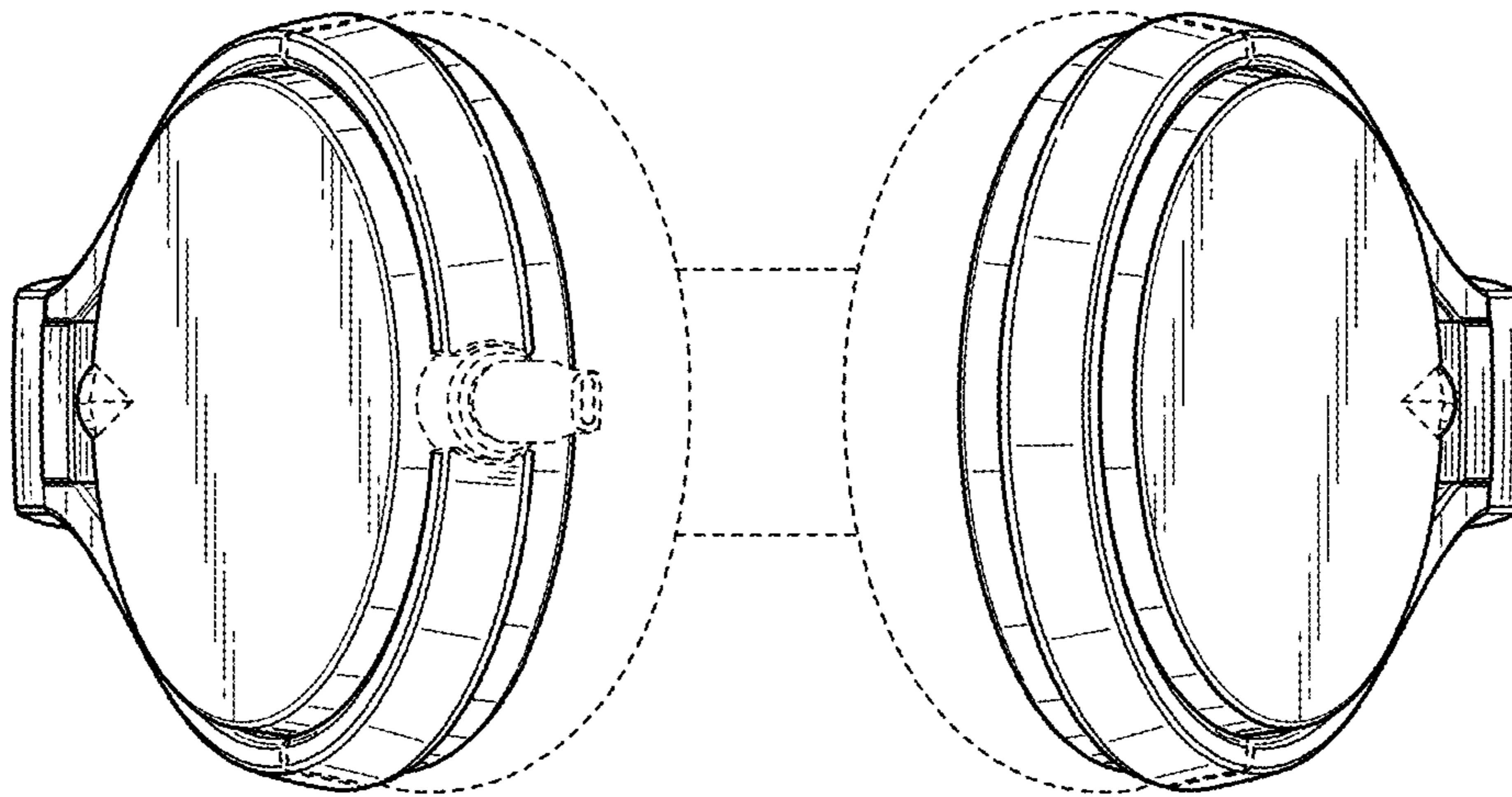
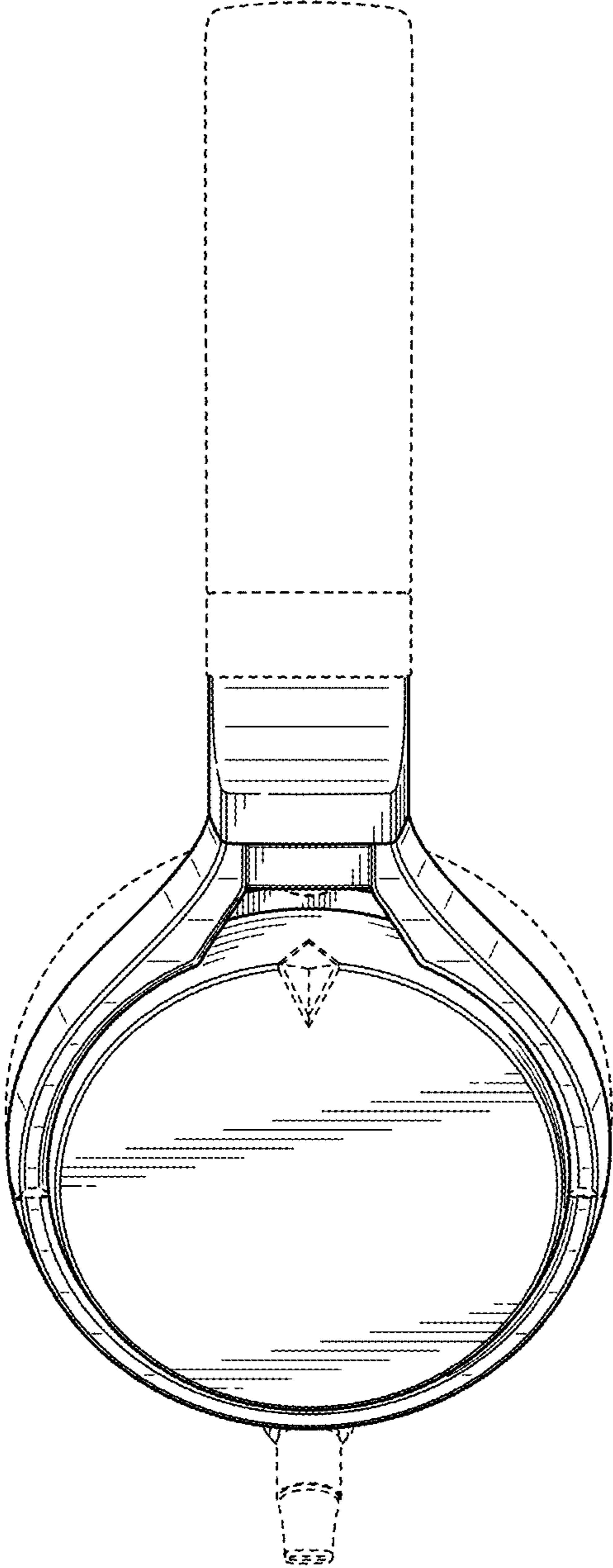


FIG. 6



*FIG. 7*

