



US00D768107S

(12) **United States Design Patent** (10) **Patent No.:** **US D768,107 S**
Tajima (45) **Date of Patent:** **** Oct. 4, 2016**

(54) **VOICE RECORDING/REPRODUCING DEVICE**

(71) Applicant: **OLYMPUS CORPORATION**,
Shibuya-ku, Tokyo (JP)

(72) Inventor: **Kenji Tajima**, Hachioji (JP)

(73) Assignee: **OLYMPUS CORPORATION**, Tokyo
(JP)

(**) Term: **15 Years**

(21) Appl. No.: **29/545,428**

(22) Filed: **Nov. 12, 2015**

(30) **Foreign Application Priority Data**

Jul. 3, 2015 (JP) 2015-014811

(51) **LOC (10) Cl.** **14-01**

(52) **U.S. Cl.**
USPC **D14/167**

(58) **Field of Classification Search**
USPC D14/167, 154, 168, 188, 496, 156, 160,
D14/161, 162, 163, 164, 165, 158, 203.1,
D14/341, 346, 342, 345, 225, 226, 228, 227,
D14/214; 455/351, 350; D19/60, 62;
D21/330; 369/44.14, 44.32; 700/94;
D16/202
CPC H04N 13/004; H04N 5/85; H04N 9/8227;
H04N 13/0055; H04N 19/597; H04N 19/61;
H04N 21/42646; H04N 21/4325; H04N
1/234327; G11B 27/034; G11B 27/11

See application file for complete search history.

(56) **References Cited**

U.S. PATENT DOCUMENTS

D608,338 S *	1/2010	Myojo	D14/167
D609,689 S *	2/2010	Obata	D14/167
D635,122 S *	3/2011	Sakai	D14/167
D635,544 S *	4/2011	Nohara	D14/167
D640,228 S *	6/2011	Sakai	D14/167
D646,261 S *	10/2011	Hayashi	D14/167
D664,112 S *	7/2012	Fukuoka	D14/167
D674,370 S *	1/2013	Ohta	D14/167
D688,226 S *	8/2013	Morisawa	D14/167
D710,817 S *	8/2014	Ushio	D14/167
D718,735 S *	12/2014	Lockenwitz	D14/155

* cited by examiner

Primary Examiner — Austin Murphy

(74) *Attorney, Agent, or Firm* — Holtz, Holtz & Volek PC

(57) **CLAIM**

The ornamental design for a voice recording/reproducing device, as shown and described.

DESCRIPTION

FIG. 1 is a front, top and left side perspective view showing my new design;
FIG. 2 is a front elevational view thereof;
FIG. 3 is a rear elevational view thereof;
FIG. 4 is a top plan view thereof;
FIG. 5 is a bottom plan view thereof;
FIG. 6 is a right side elevational view thereof; and,
FIG. 7 is a left side elevational view thereof.
The broken lines shown in the drawings are for illustrative purposes only and form no part of the claimed design.

1 Claim, 4 Drawing Sheets

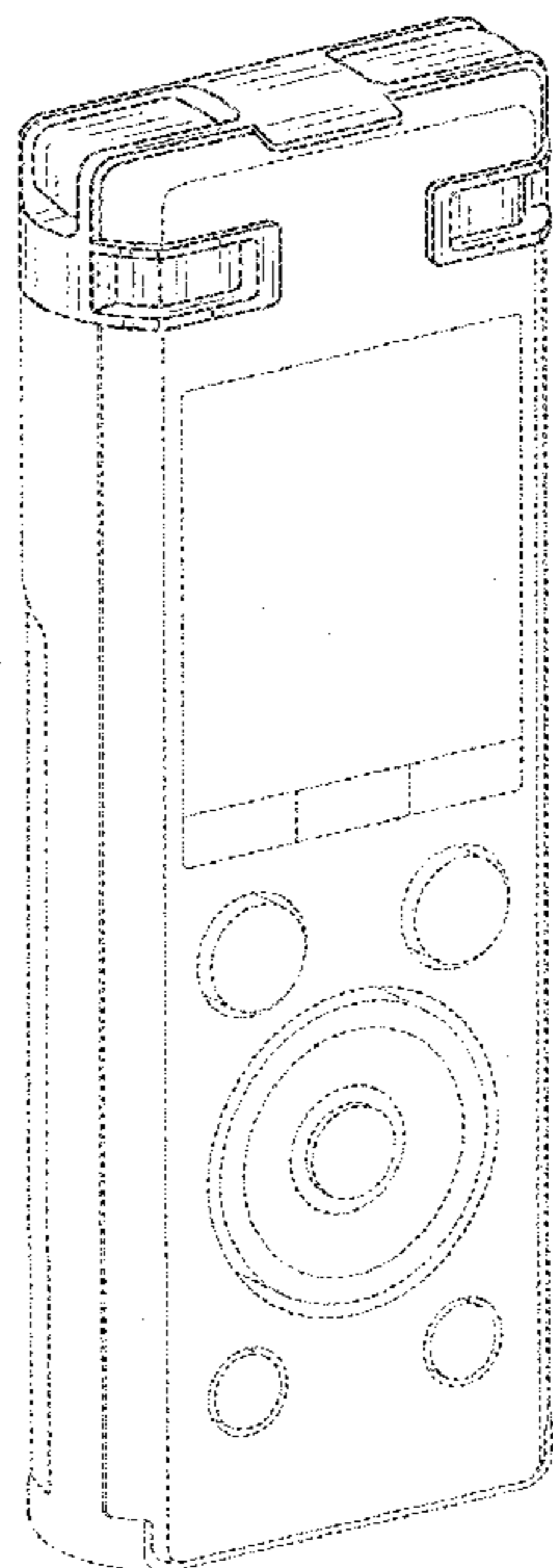


FIG. 1

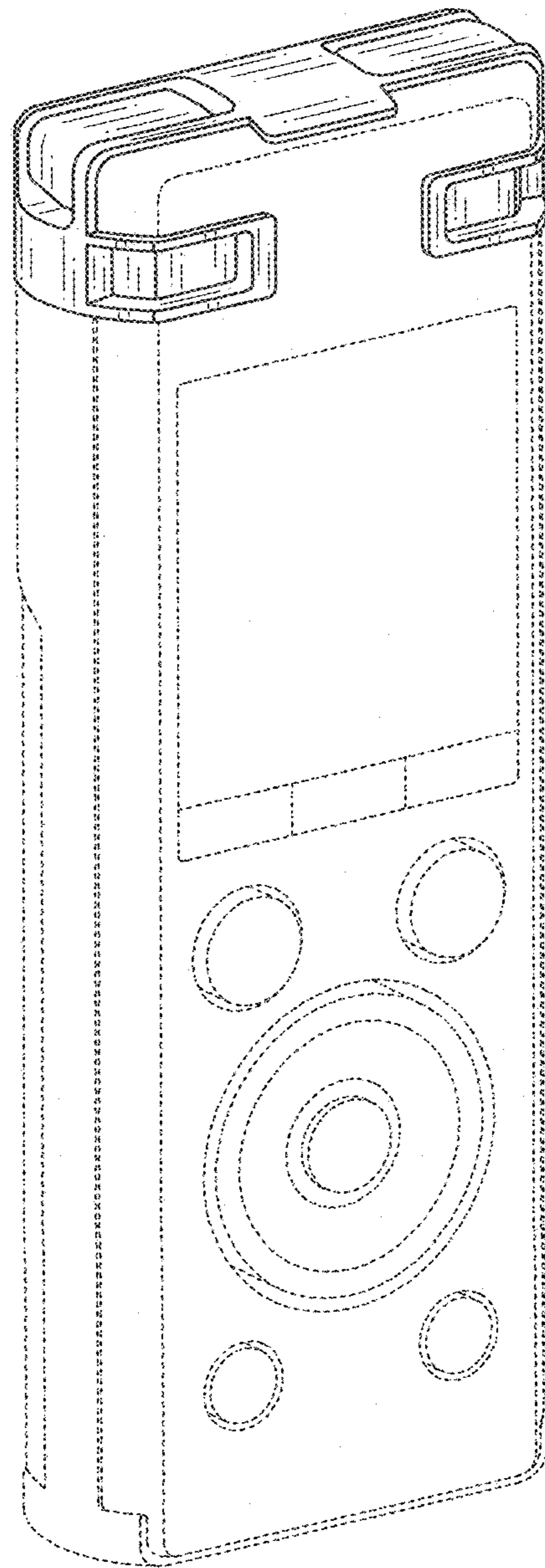


FIG.2

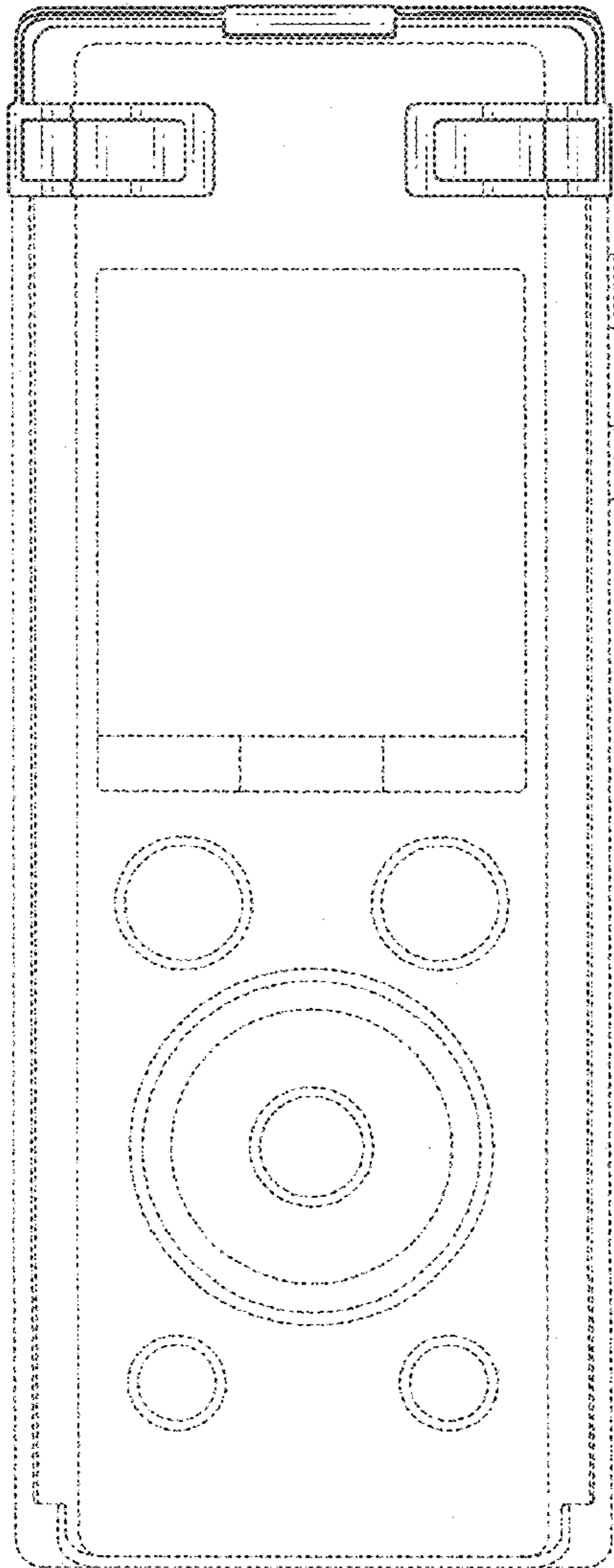


FIG.3

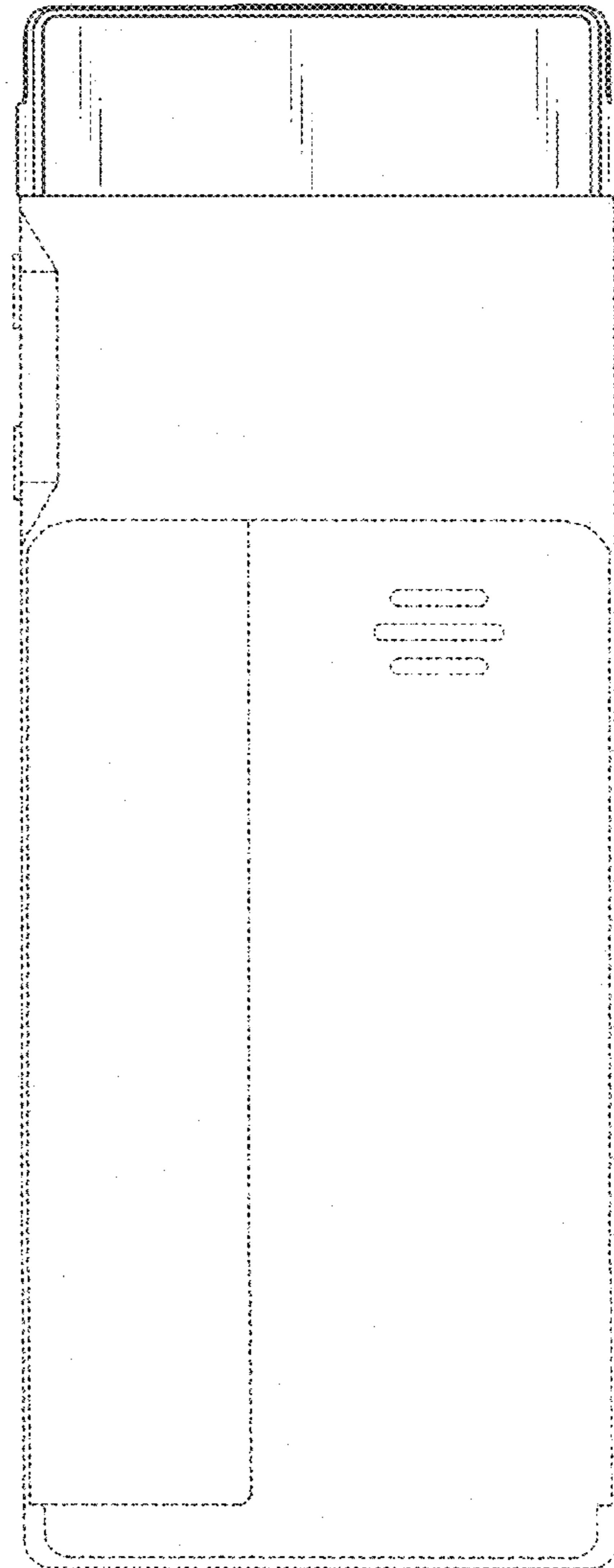


FIG.4

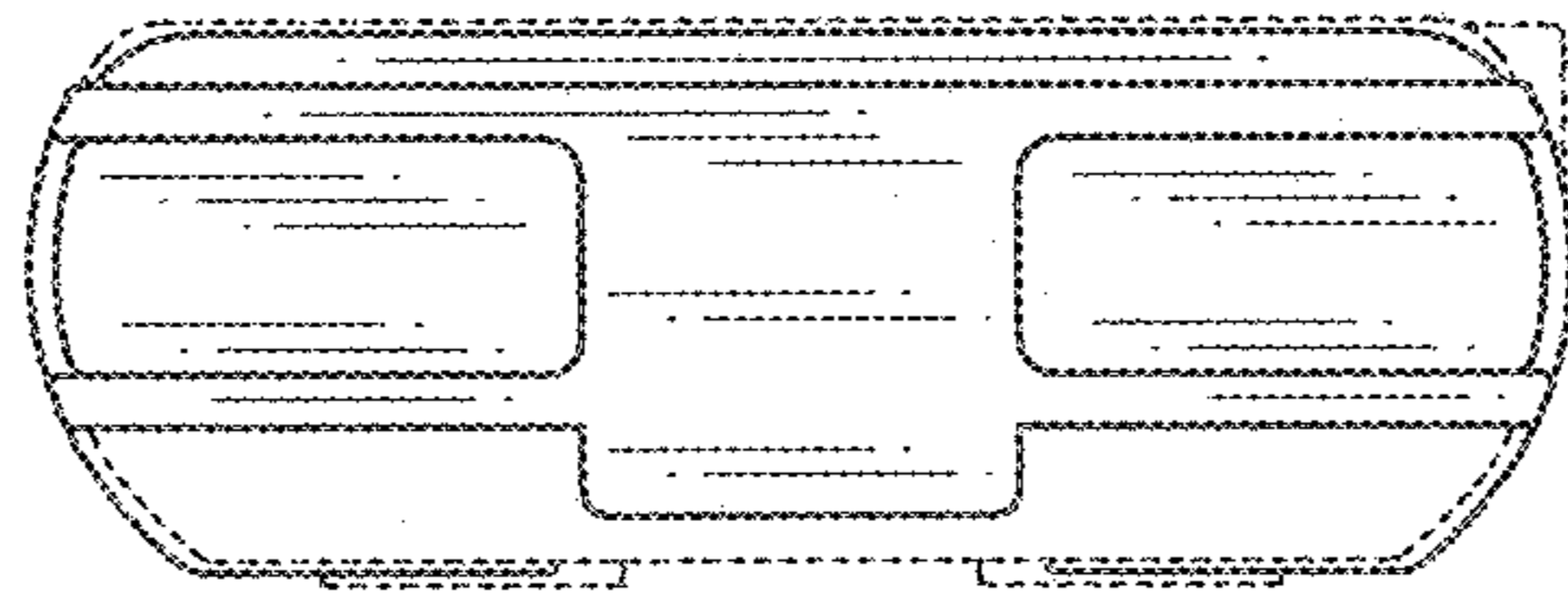


FIG.5

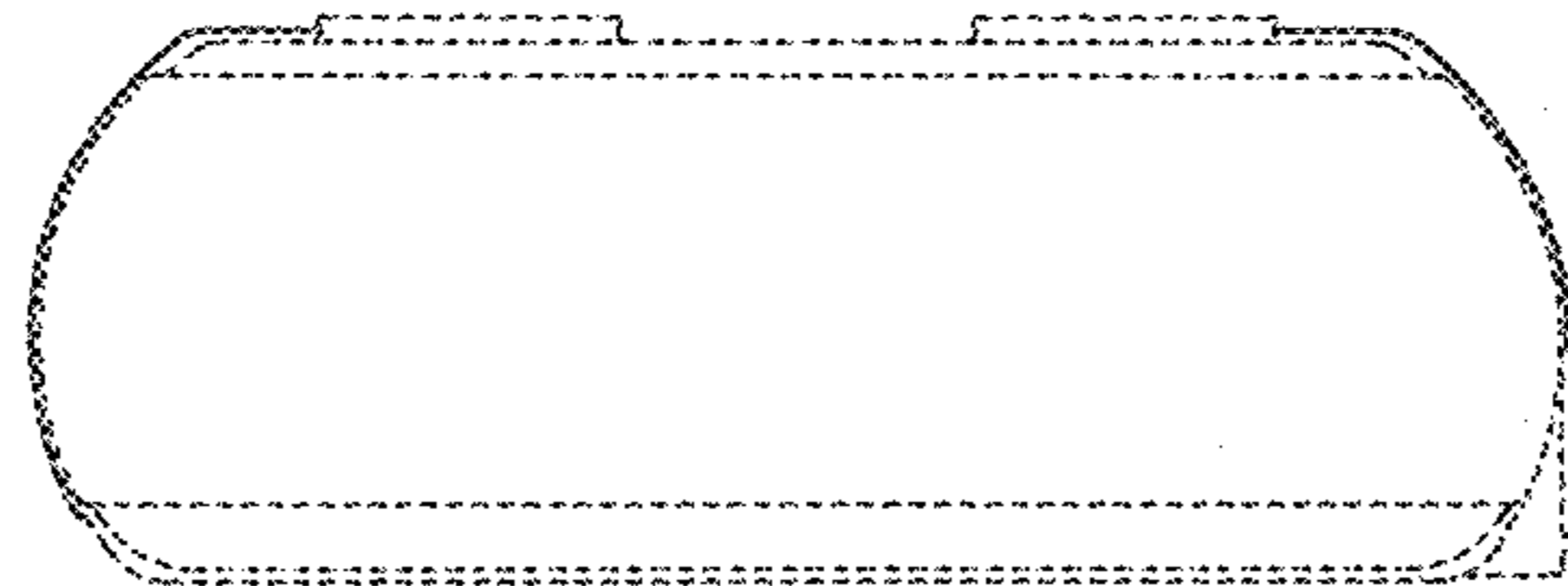


FIG.6

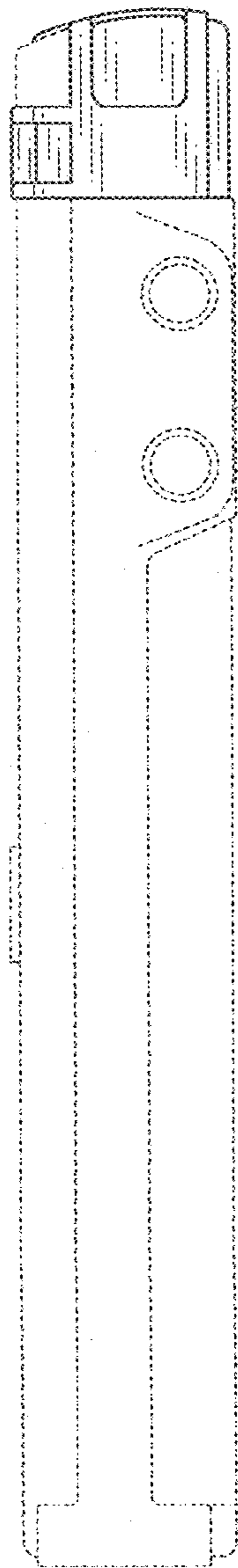


FIG.7

