



US00D768106S

(12) **United States Design Patent** (10) **Patent No.:** **US D768,106 S**  
**Tajima** (45) **Date of Patent:** **\*\* Oct. 4, 2016**

(54) **VOICE RECORDING/REPRODUCING DEVICE**

(56) **References Cited**

U.S. PATENT DOCUMENTS

(71) Applicant: **OLYMPUS CORPORATION**,  
Shibuya-ku, Tokyo (JP)

(72) Inventor: **Kenji Tajima**, Hachioji (JP)

(73) Assignee: **OLYMPUS CORPORATION**, Tokyo  
(JP)

(\*\*) Term: **15 Years**

D571,778 S *	6/2008	Aoki	.....	D14/167
D581,898 S *	12/2008	Oka	.....	D14/167
D601,120 S *	9/2009	Aoki	.....	D14/167
D611,925 S *	3/2010	Miyazaki	.....	D14/167
D640,230 S *	6/2011	Sakai	.....	D14/167
D647,077 S *	10/2011	Hayashi	.....	D14/167
D649,524 S *	11/2011	Miyazaki	.....	D14/167
D665,769 S *	8/2012	Hayashi	.....	D14/167
D665,770 S *	8/2012	Osada	.....	D14/167
D683,714 S *	6/2013	Ito	.....	D14/167
D696,225 S *	12/2013	Osada	.....	D14/167
D710,817 S *	8/2014	Ushio	.....	D14/167

(21) Appl. No.: **29/545,407**

\* cited by examiner

(22) Filed: **Nov. 12, 2015**

*Primary Examiner* — Austin Murphy

(30) **Foreign Application Priority Data**

(74) *Attorney, Agent, or Firm* — Holtz, Holtz & Volek PC

Jul. 3, 2015 (JP) ..... 2015-014810

(51) **LOC (10) Cl.** ..... **14-01**

(57) **CLAIM**

The ornamental design for a voice recording/reproducing device, as shown and described.

(52) **U.S. Cl.**

**DESCRIPTION**

USPC ..... **D14/167**

(58) **Field of Classification Search**

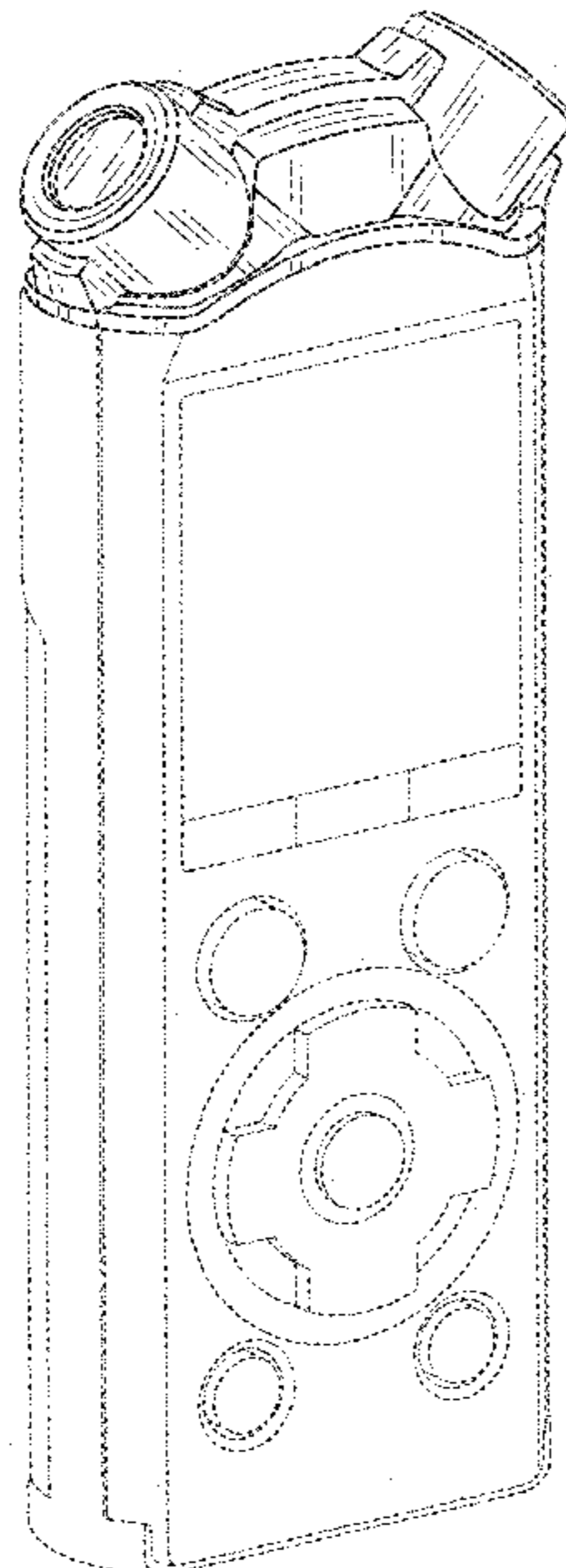
USPC ..... D14/167, 154, 168, 188, 496, 156, 160,  
D14/161, 162, 163, 164, 165, 158, 203.1,  
D14/341, 346, 342, 345, 225, 226, 228, 227,  
D14/214; 455/351, 350; D19/60, 62;  
D21/330; 369/44.14, 44.32; 700/94;  
D16/202

CPC .... H04N 13/004; H04N 5/85; H04N 9/8227;  
H04N 13/0055; H04N 19/597; H04N 19/61;  
H04N 21/42646; H04N 21/4325; H04N  
1/234327; G11B 27/034; G11B 27/11

See application file for complete search history.

The broken lines shown in the drawings are for illustrative purposes only and form no part of the claimed design.

**1 Claim, 4 Drawing Sheets**



**FIG. 1**

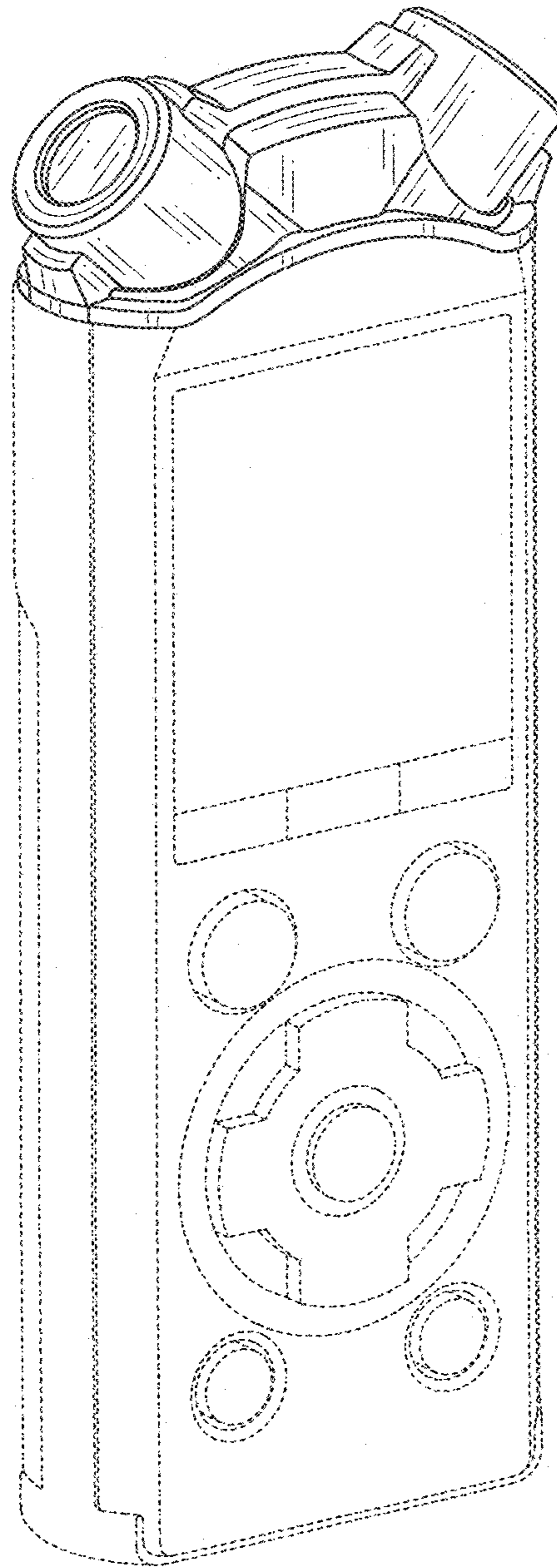


FIG.2

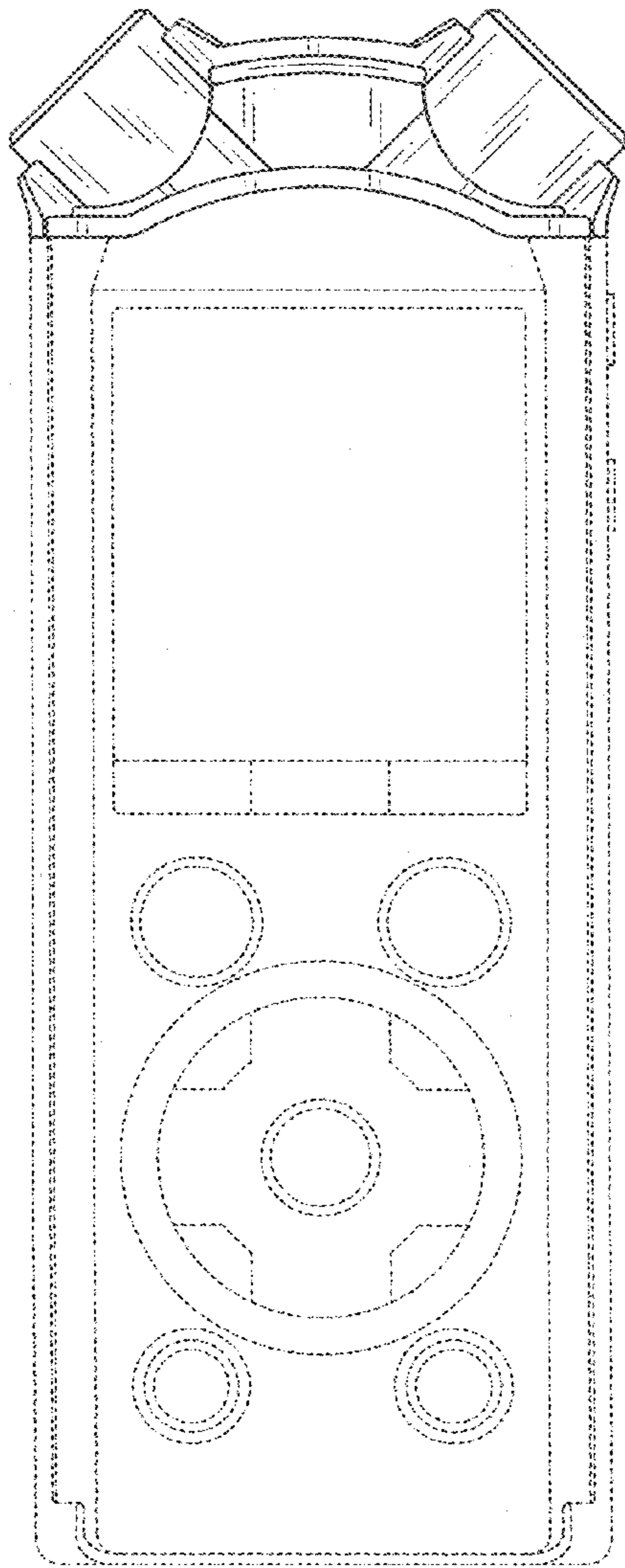
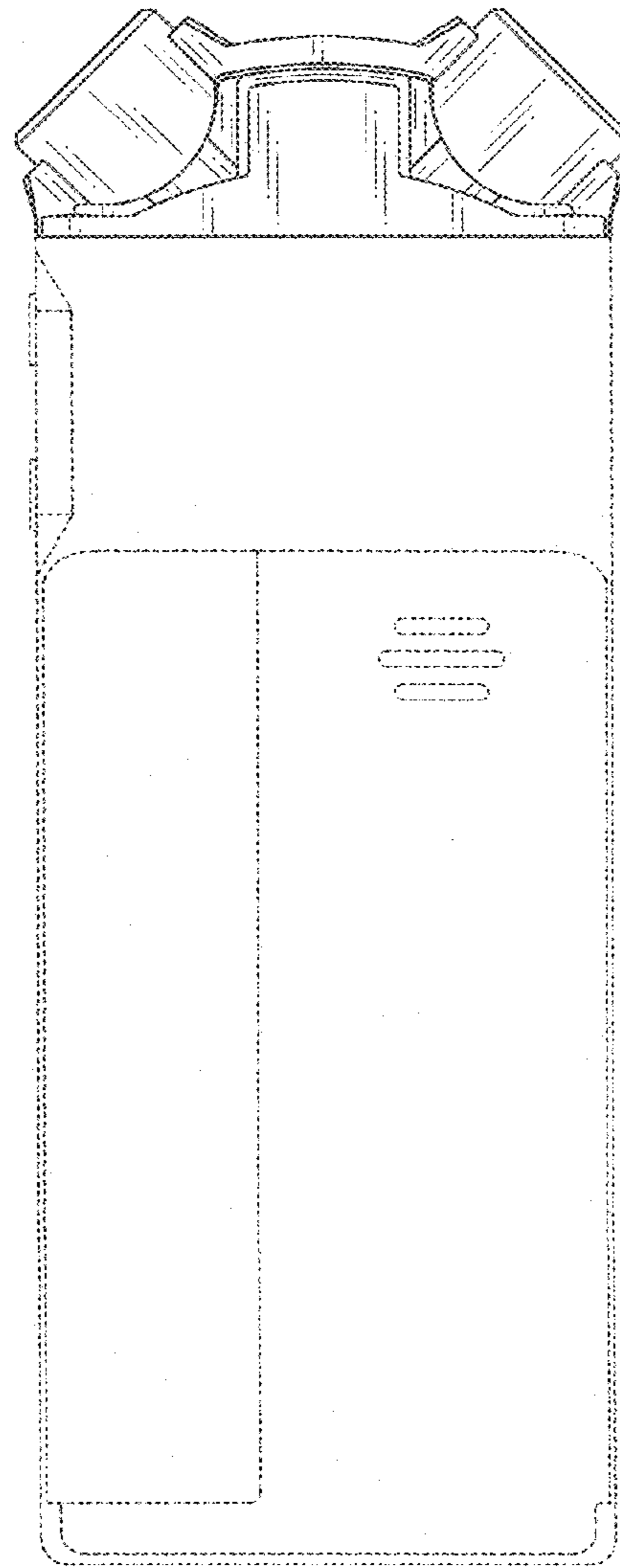
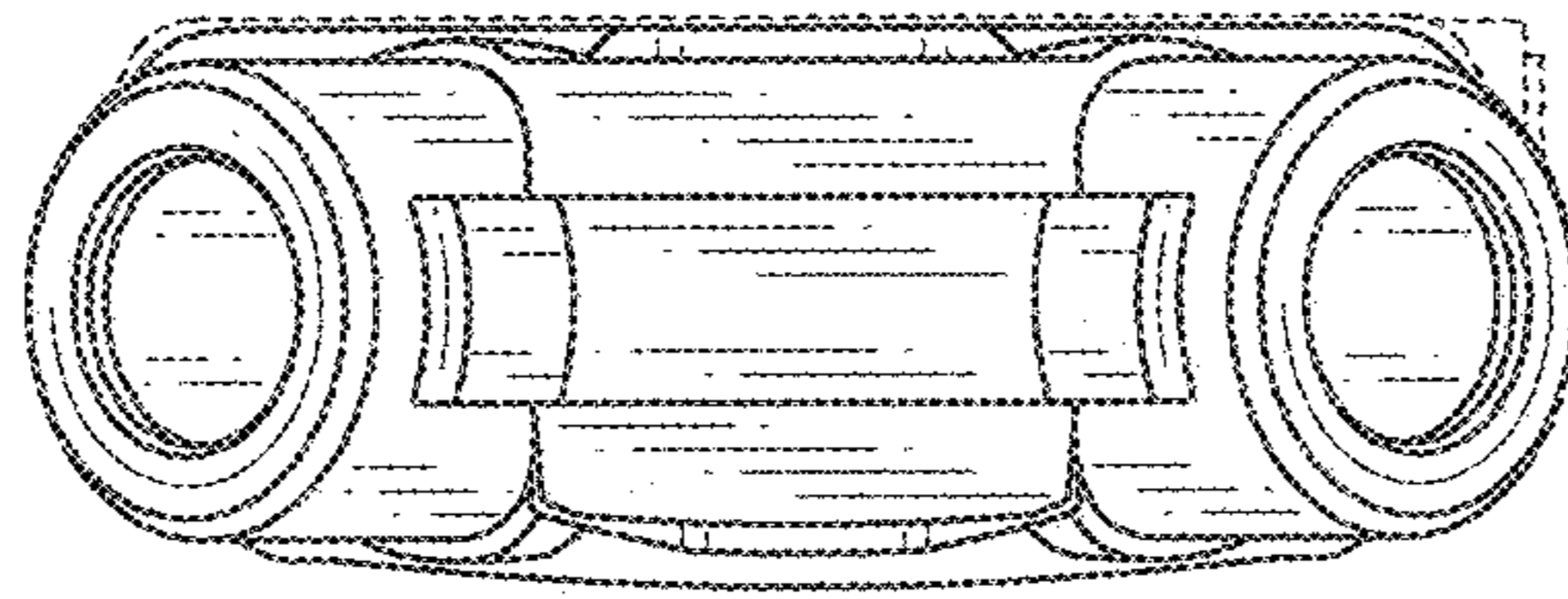


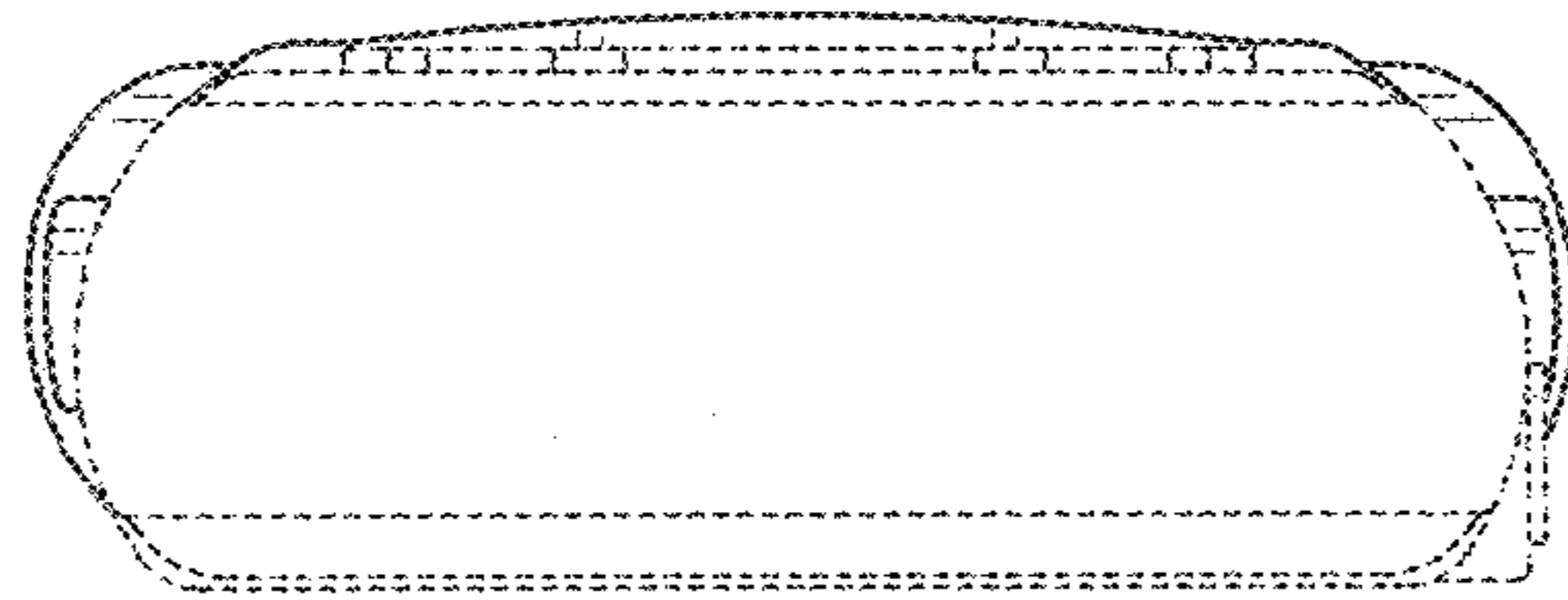
FIG.3



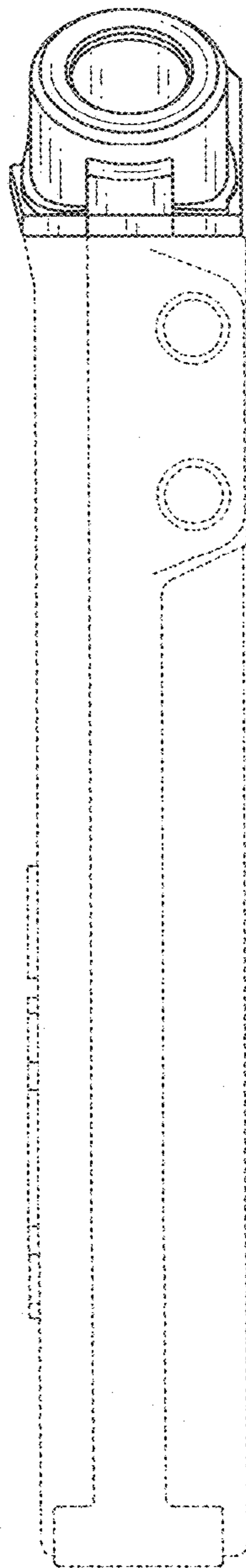
**FIG.4**



**FIG.5**



**FIG.6**



**FIG.7**

