



US00D768097S

(12) **United States Design Patent**
Powers

(10) **Patent No.:** **US D768,097 S**

(45) **Date of Patent:** **** Oct. 4, 2016**

(54) **INSULATOR FOR PRESS PACK CLAMP**

(71) Applicant: **LWE, Inc.**, Maple Grove, MN (US)

(72) Inventor: **Al Powers**, Maple Grove, MN (US)

(73) Assignee: **LWE, Inc.**, Maple Grove, MN (US)

(**) Term: **15 Years**

(21) Appl. No.: **29/543,042**

(22) Filed: **Oct. 20, 2015**

(51) **LOC (10) Cl.** **13-99**

(52) **U.S. Cl.**
USPC **D13/199**

(58) **Field of Classification Search**
USPC D8/330, 349, 354, 382, 394-398;
D13/110, 123, 133, 149, 154, 173, 182,
D13/184, 199
CPC H01L 2023/40; H01L 23/42; F16B 31/02;
F16B 31/00; H01R 4/38; H01R 4/66; H01R
4/00; H01R 23/00; G01R 1/067; H01B
17/14; H01B 17/16

See application file for complete search history.

(56) **References Cited**

U.S. PATENT DOCUMENTS

3,786,168	A *	1/1974	Jaecklin	H01L 23/051 174/16.3
3,988,052	A *	10/1976	Mooney	H01R 4/643 439/804
4,159,483	A *	6/1979	Bettin	F16B 31/028 257/722
D263,788	S *	4/1982	McKinnon	D8/394
5,159,274	A *	10/1992	Lieux	G01R 1/06705 324/537
7,621,763	B2 *	11/2009	Clark	H01R 4/36 439/100

7,780,461	B1 *	8/2010	Vernica	H01R 4/36 439/100
8,134,835	B2 *	3/2012	Fishman	H01L 24/72 165/185
8,177,563	B1 *	5/2012	Vernica	H01R 4/36 439/100
D689,021	S *	9/2013	Wang	D13/133
D694,712	S *	12/2013	Aguiar	D13/133
8,864,504	B1 *	10/2014	Gretz	H01R 4/66 439/100

OTHER PUBLICATIONS

“Semiconductor Data Handbook”, General Electric Company, third edition, Syracuse, NY, USA, 2007, 8 pages.

* cited by examiner

Primary Examiner — Thomas Johannes

Assistant Examiner — Shawn T Gingrich

(74) *Attorney, Agent, or Firm* — Hamre, Schumann, Mueller & Larson, P.C.

(57) **CLAIM**

The ornamental design for an insulator for press pack clamp, as shown and described.

DESCRIPTION

FIG. 1 is a top perspective view of an insulator for press pack clamp showing my new design; FIG. 2 is a bottom perspective view thereof; FIG. 3 is a front elevational view thereof, and a rear elevational view is a mirror image of FIG. 3; FIG. 4 is a left side plan view thereof, and a right side plan view is a mirror image of FIG. 4; FIG. 5 is a top plan view thereof; and, FIG. 6 is a bottom plan view thereof. The broken line portion of the figure drawings is included to show portions of the article that form(s) no part of the claimed design.

1 Claim, 4 Drawing Sheets

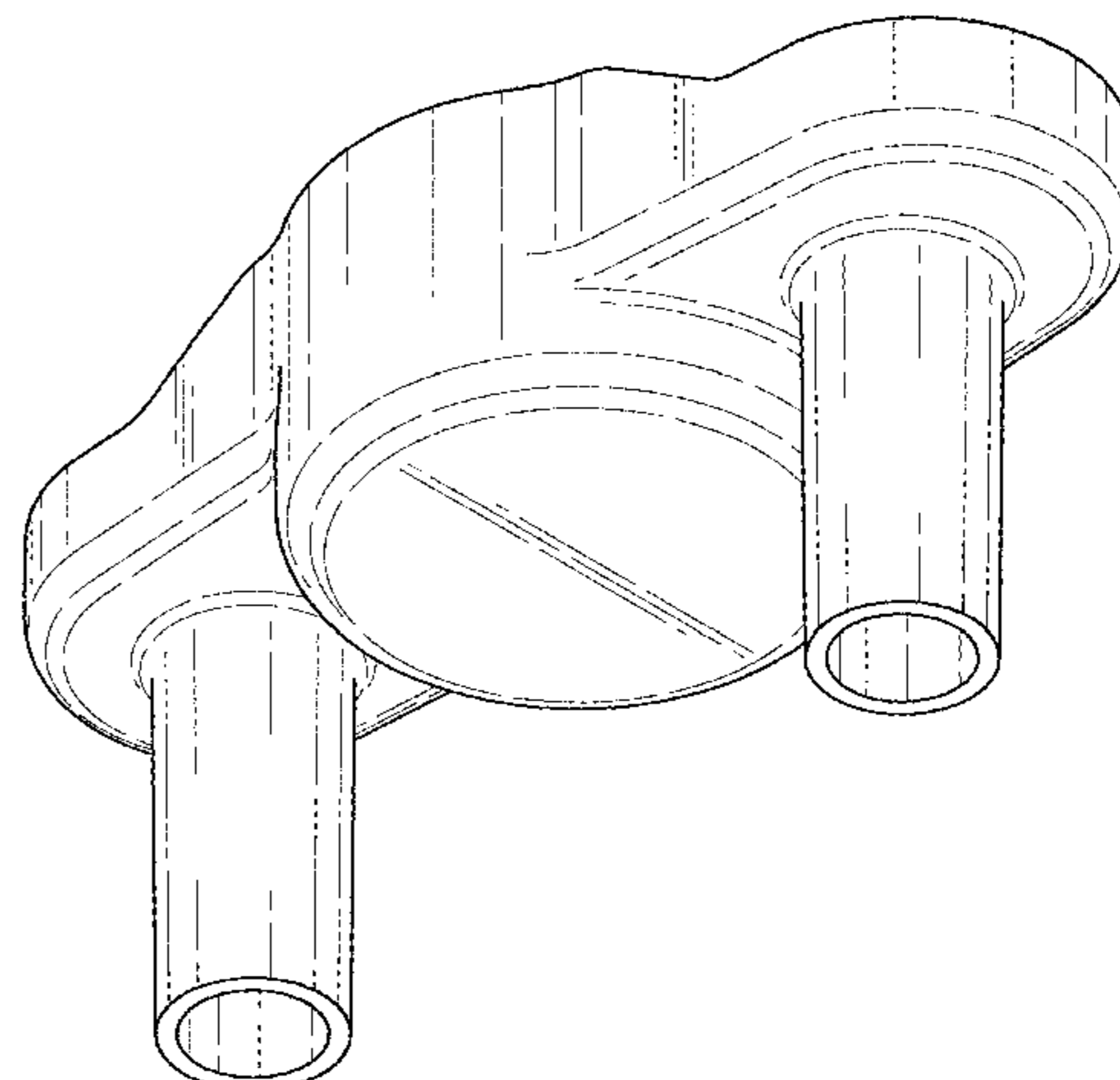
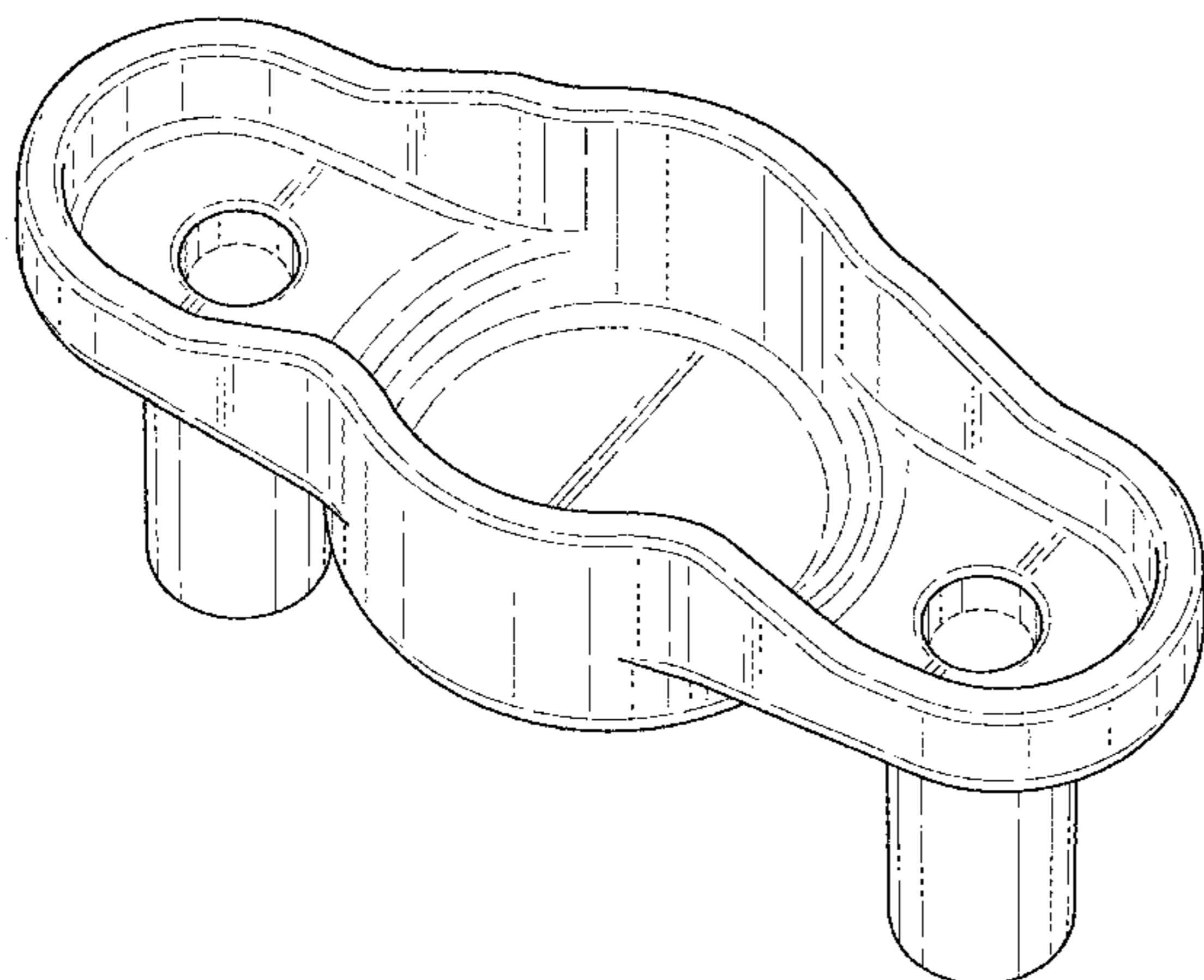


Fig. 1

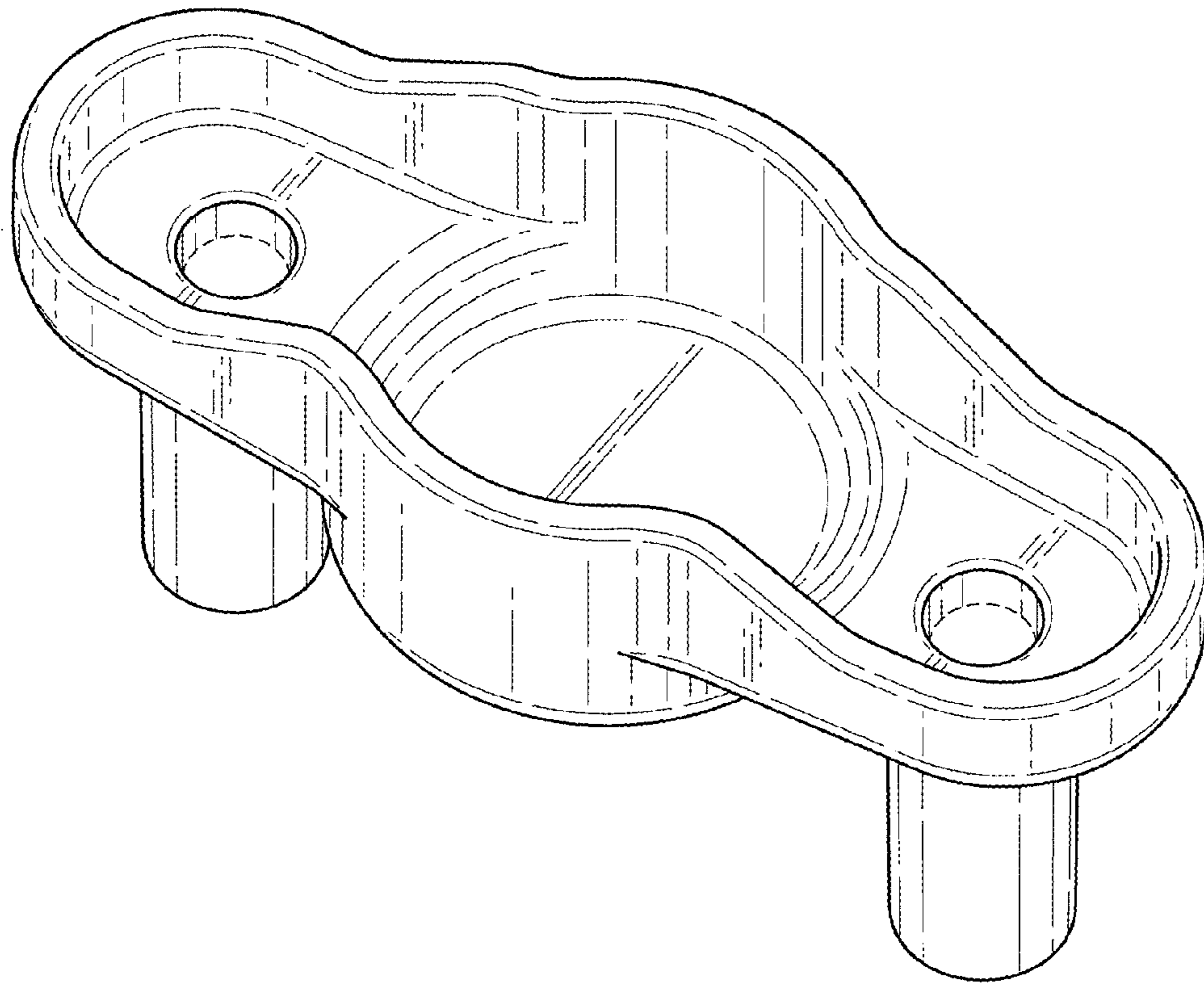


Fig. 2

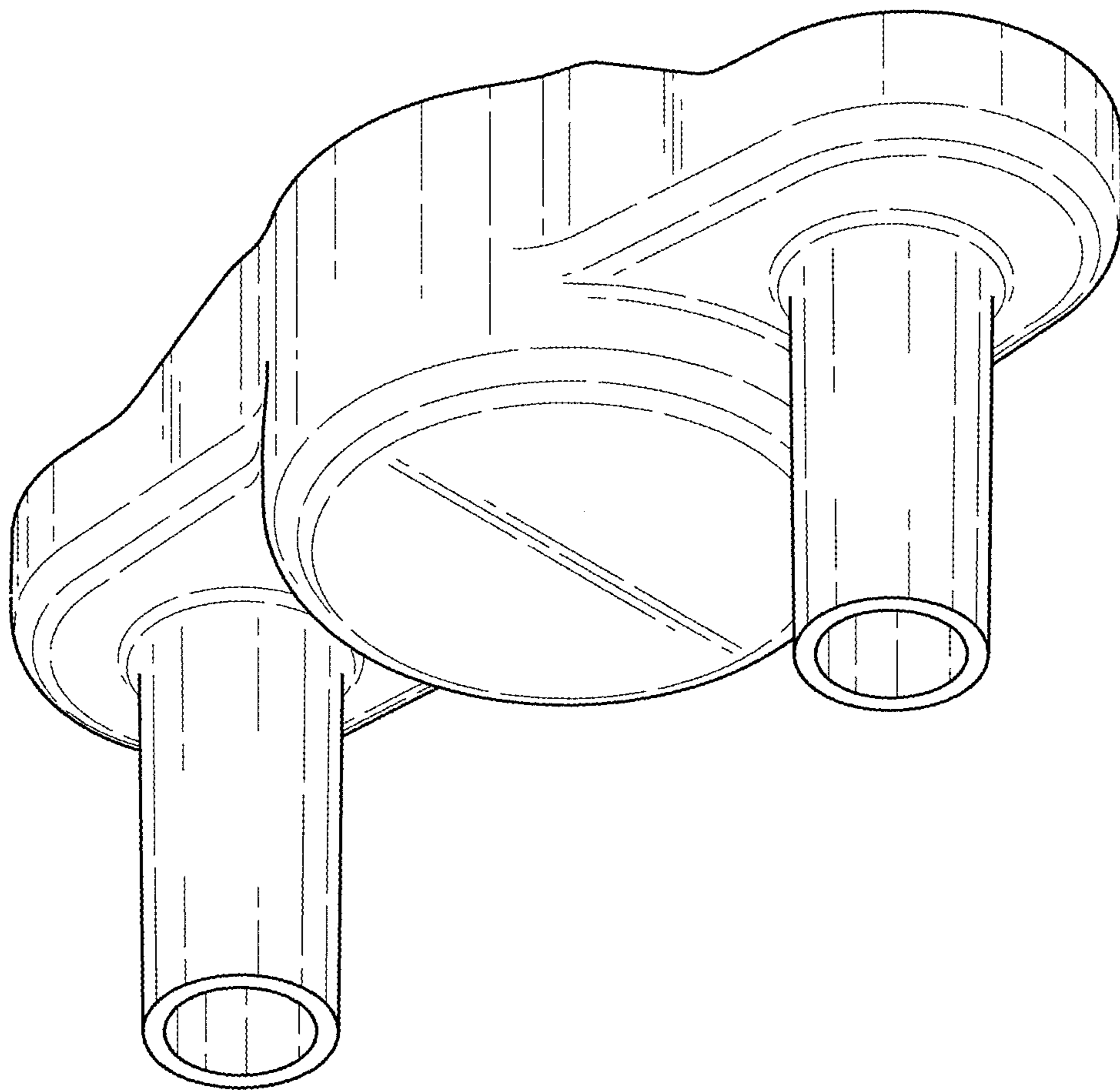


Fig. 3

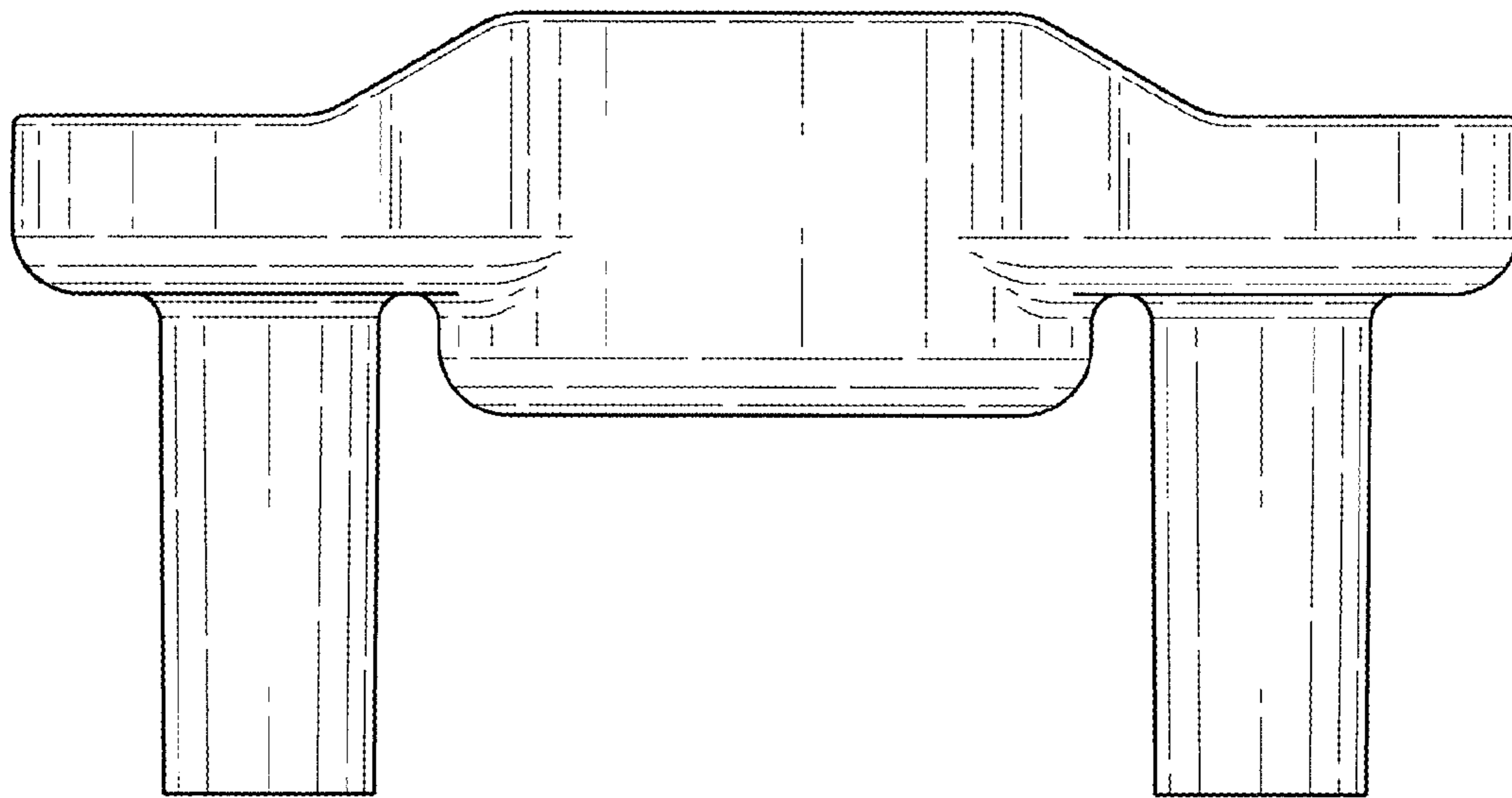


Fig. 4

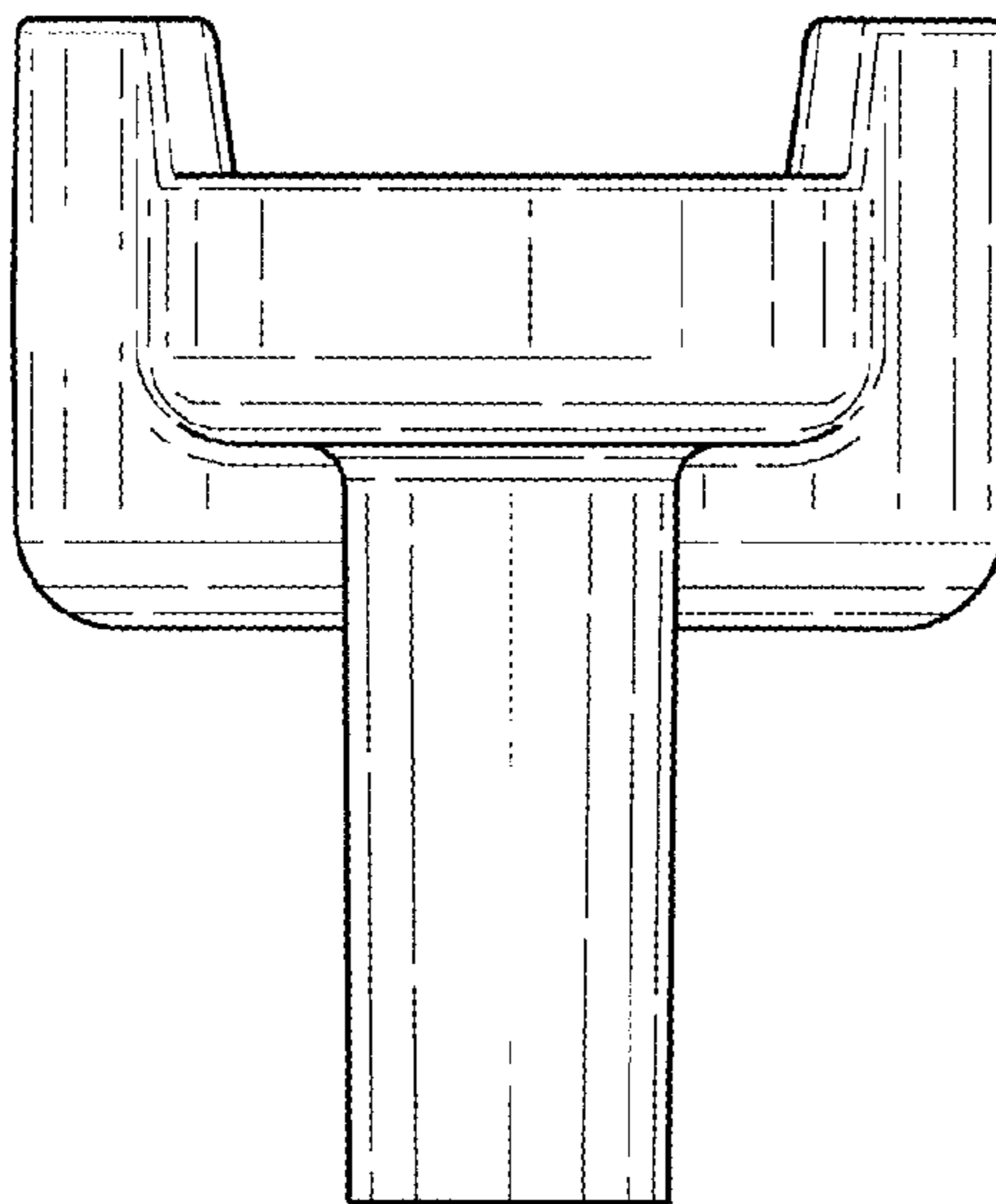


Fig. 5

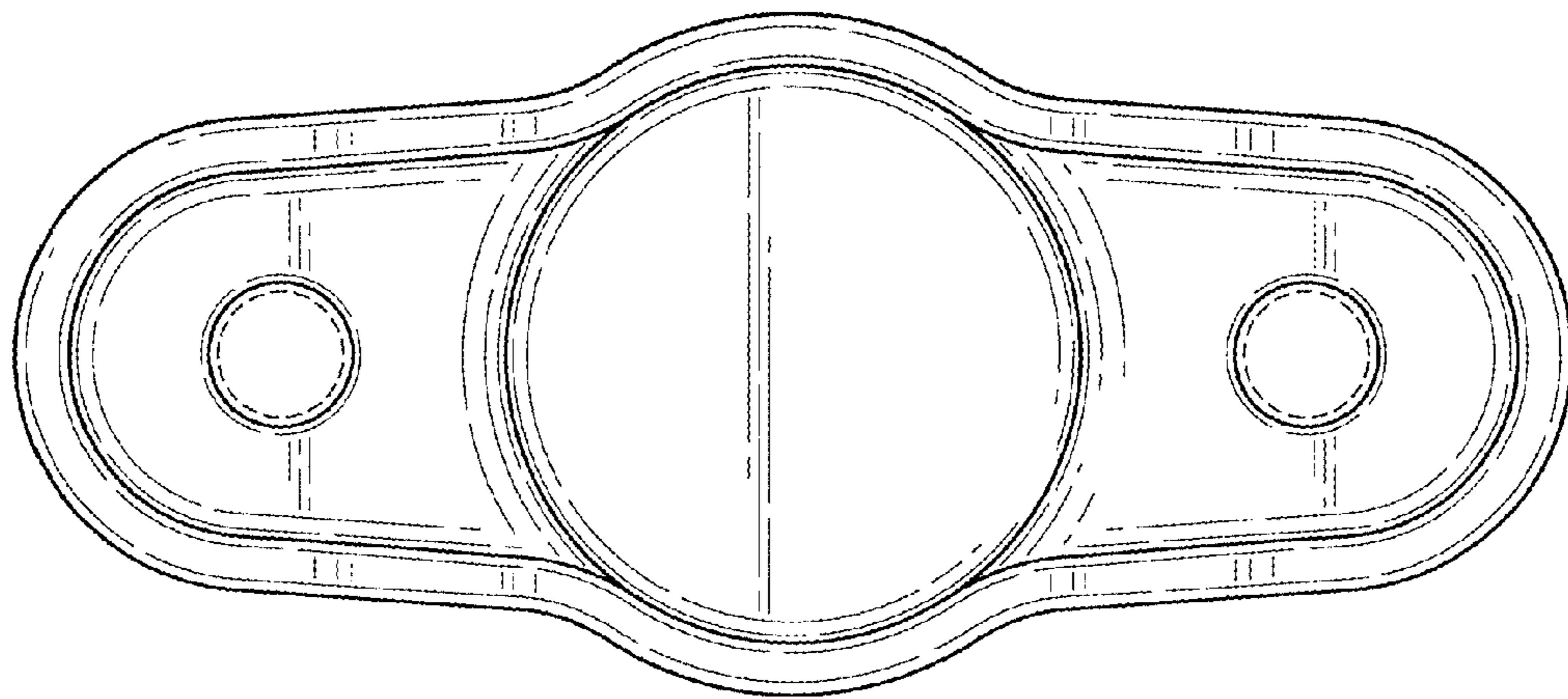


Fig. 6

