



US00D768096S

(12) **United States Design Patent**  
**Fleischer**

(10) **Patent No.:** **US D768,096 S**

(45) **Date of Patent:** **\*\* Oct. 4, 2016**

(54) **ELECTRODE**

(71) Applicant: **MEDICUS ENGINEERING ApS**,  
Aarhus N (DK)

(72) Inventor: **Jesper Fleischer**, Højbjerg (DK)

(73) Assignee: **Medicus Engineering Aps**, Aarhus N  
(DK)

(\*\*) Term: **14 Years**

(21) Appl. No.: **29/508,931**

(22) Filed: **Nov. 12, 2014**

(51) **LOC (10) Cl.** ..... **13-03**

(52) **U.S. Cl.**  
USPC ..... **D13/182**

(58) **Field of Classification Search**  
USPC ..... D13/182  
CPC ..... B23H 1/00; B23H 1/04; B23H 1/06;  
B23H 7/26; B23H 7/265; B23H 7/28; B23H  
7/30; B23H 7/32; B23H 7/08; B23H 7/10;  
B23H 7/101; B23H 7/102; B23H 7/104;  
B23H 7/105; B23H 7/107; B23H 7/108;  
B23H 7/12; B23H 5/10; B23K 11/30; B23K  
11/3009; B23K 11/3018; B23K 11/3027;  
B23K 11/3036; B23K 11/3054; B23K  
11/309; B23K 35/0205; B23K 35/402;  
H05H 1/34; H05H 2001/3478

See application file for complete search history.

(56) **References Cited**

U.S. PATENT DOCUMENTS

3,676,639	A *	7/1972	Esiban .....	B23K 9/285 219/121.11
4,782,210	A *	11/1988	Nelson .....	B23K 9/24 219/119
5,024,227	A *	6/1991	Schmid .....	A61B 5/04087 600/391
6,841,754	B2 *	1/2005	Cook .....	H05H 1/34 219/121.48
7,346,380	B2 *	3/2008	Axelgaard .....	A61B 5/04087 252/500
8,362,387	B2 *	1/2013	Wilson .....	B23K 9/013 219/121.5
D681,571	S *	5/2013	Omori .....	D13/182
D681,572	S *	5/2013	Omori .....	D13/182
D692,402	S *	10/2013	Dalton .....	D13/182
8,710,397	B2 *	4/2014	Jehnert .....	H05H 1/34 219/119

\* cited by examiner

*Primary Examiner* — Elizabeth J Oswecki

(74) *Attorney, Agent, or Firm* — Dykmea Gossett PLLC

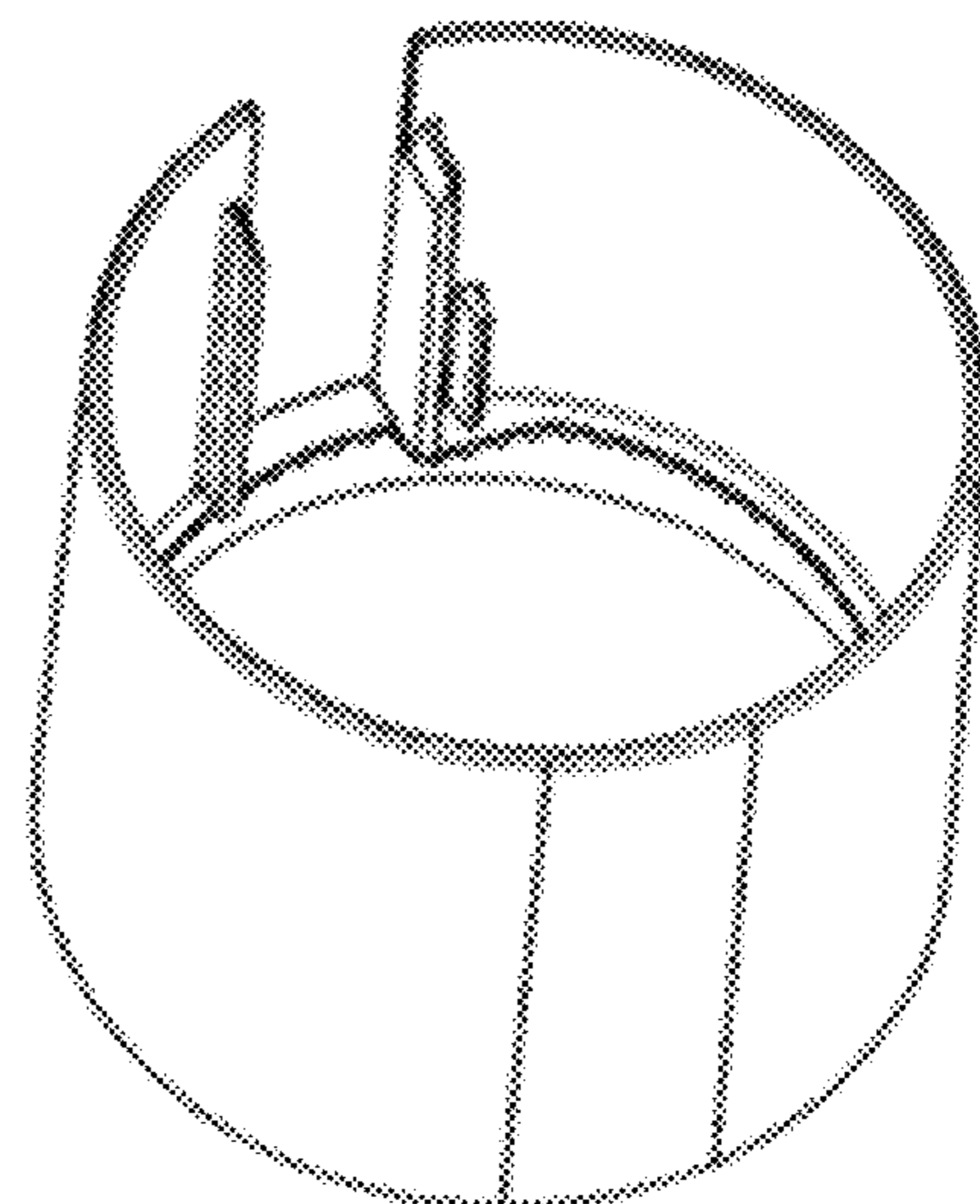
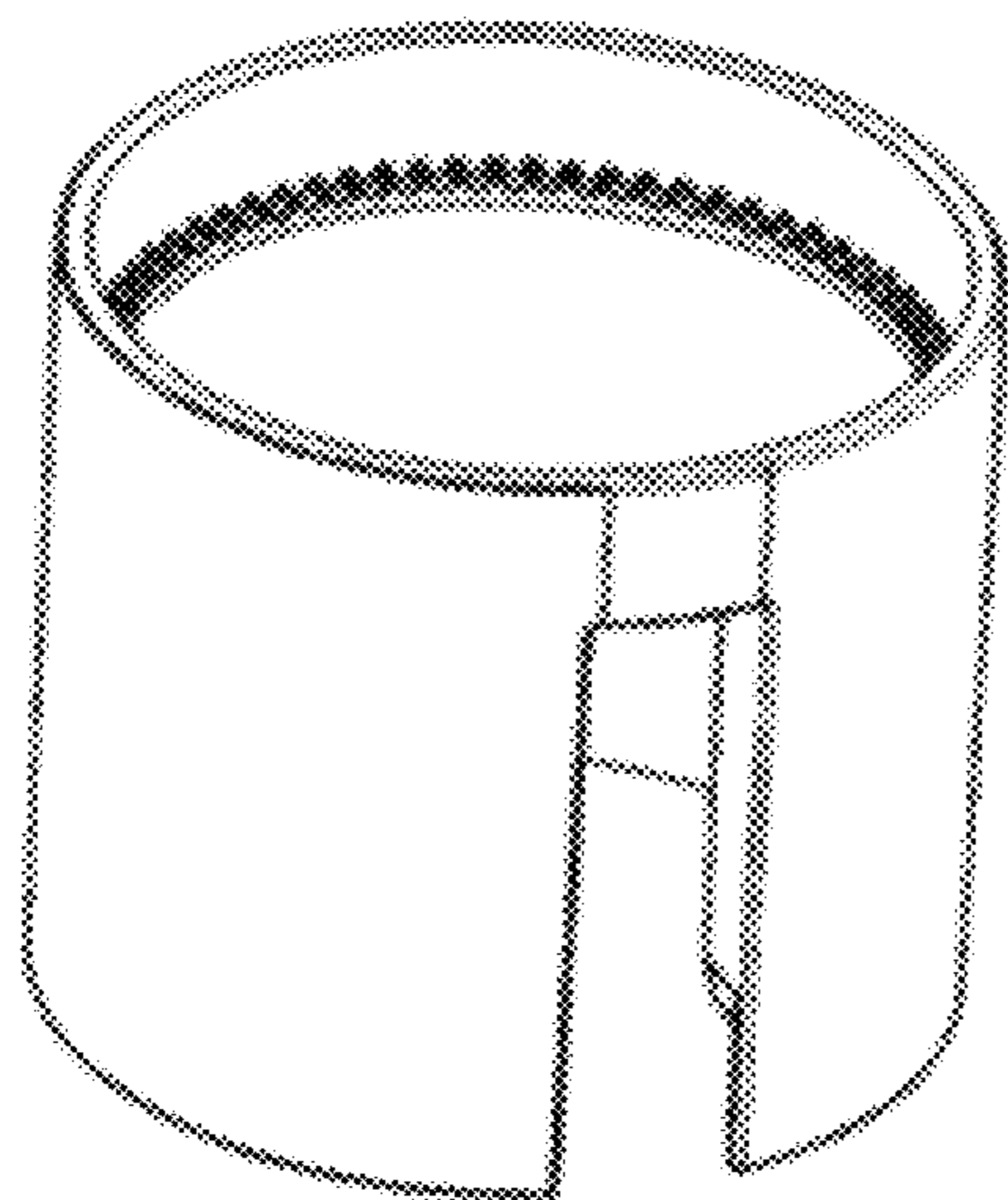
(57) **CLAIM**

The ornamental design for an electrode, as shown and described.

**DESCRIPTION**

FIG. 1 is a top, front, perspective view of an electrode showing my new design; and, FIG. 2 is a bottom, rear perspective view thereof. All surfaces not shown form no part of the claimed design.

**1 Claim, 1 Drawing Sheet**



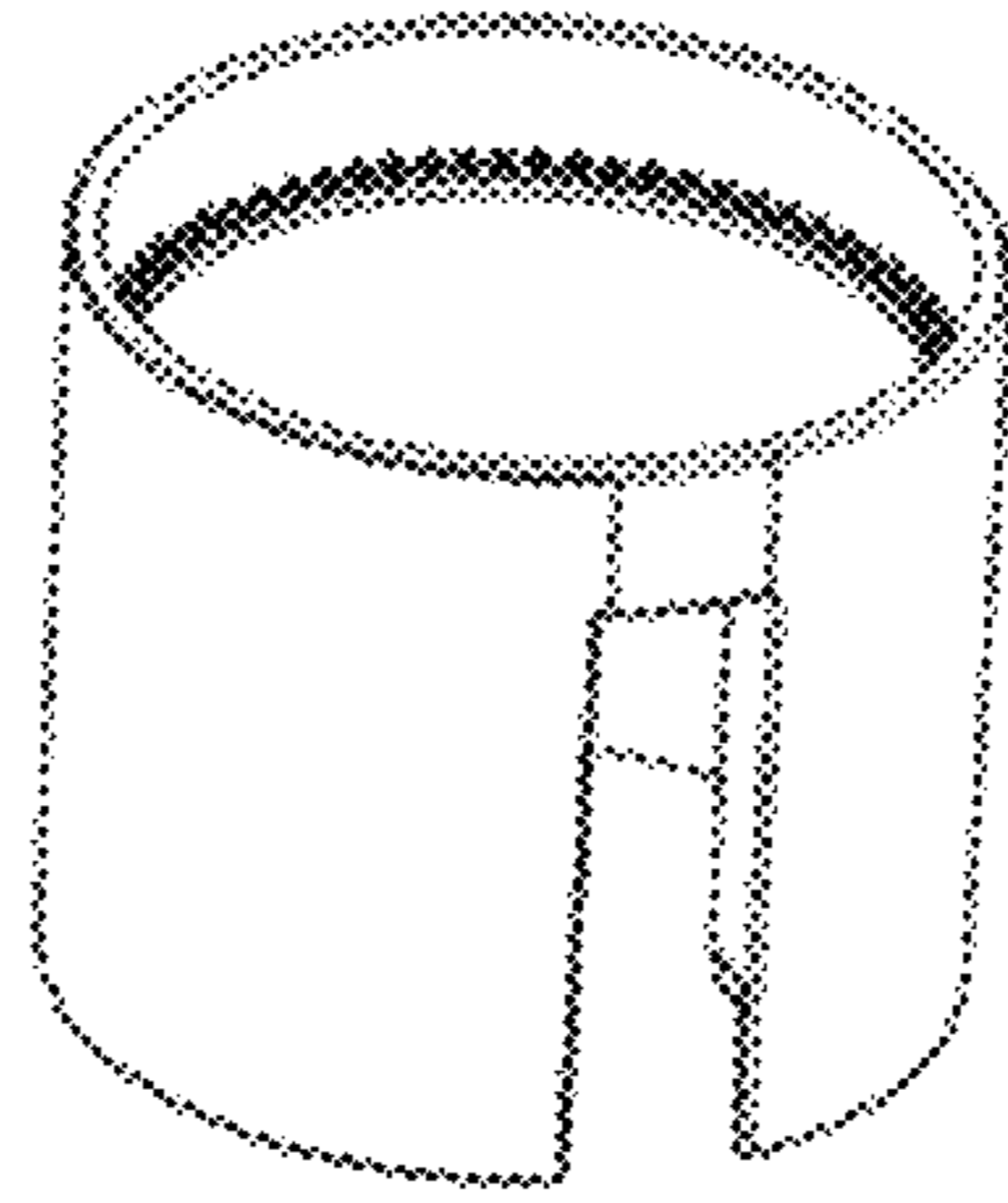


FIG. 1

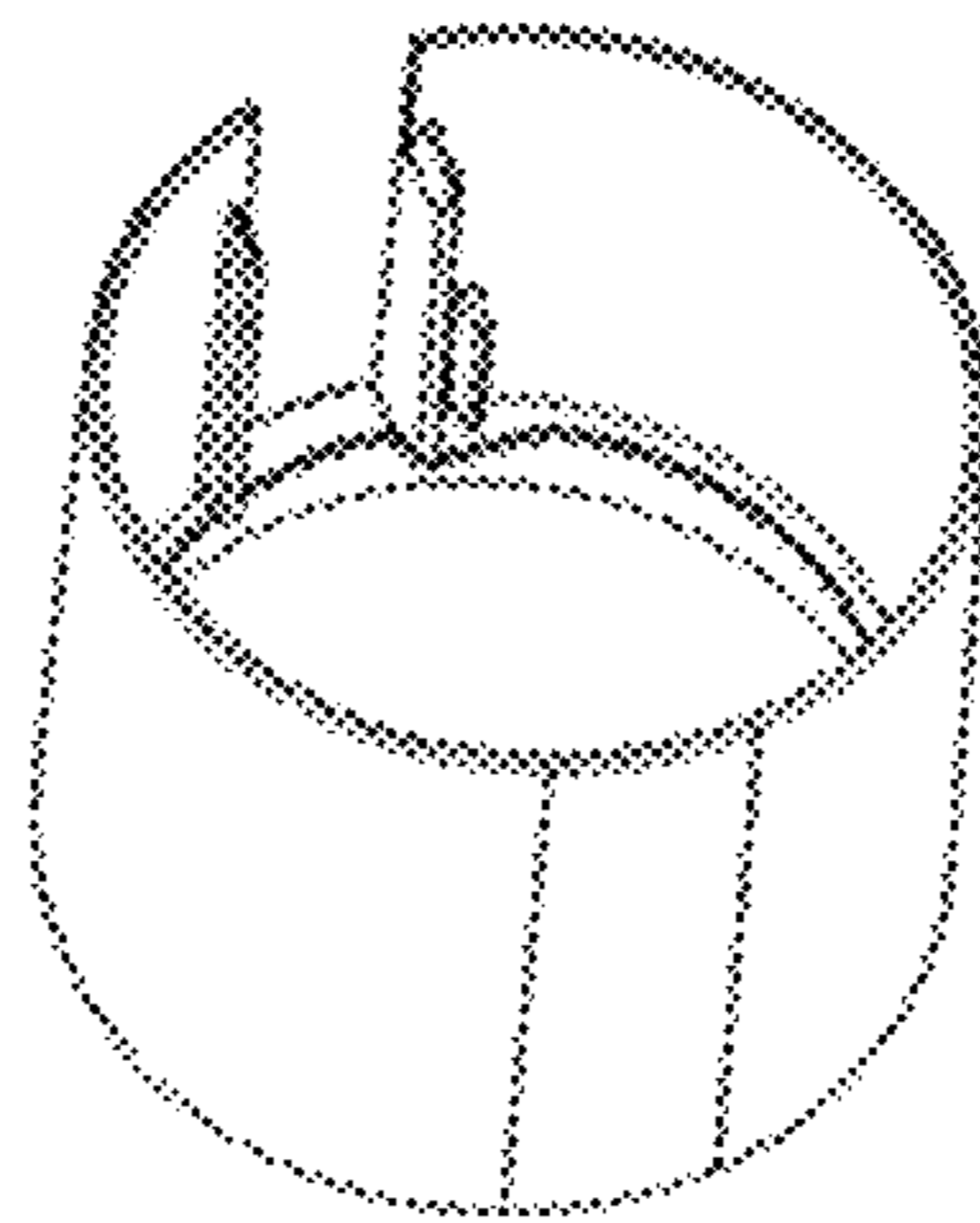


FIG. 2