



US00D768095S

(12) **United States Design Patent**
Shi et al.

(10) **Patent No.:** **US D768,095 S**

(45) **Date of Patent:** **** Oct. 4, 2016**

(54) **LIGHT-EMITTING DIODE PACKAGE**

(71) Applicant: **XIAMEN SANAN OPTOELECTRONICS TECHNOLOGY CO., LTD.**, Xiamen (CN)

(72) Inventors: **Junpeng Shi**, Xiamen (CN); **Pei-Song Cai**, Xiamen (CN); **Zhenduan Lin**, Xiamen (CN); **Hao Huang**, Xiamen (CN)

(73) Assignee: **XIAMENG SANAN OPTOELECTRONICS TECHNOLOGY CO., LTD.**, Xiamen (CN)

(**) Term: **15 Years**

(21) Appl. No.: **29/541,826**

(22) Filed: **Oct. 8, 2015**

(51) **LOC (10) Cl.** **13-03**

(52) **U.S. Cl.**
USPC **D13/180**

(58) **Field of Classification Search**
USPC D13/180; D26/1
CPC . H01L 25/167; H01L 25/0753; H01L 27/15;
H01L 27/156; H01L 31/02; H01L 33/00;
H01L 33/04; H01L 33/08; H01L 33/10;
H01L 33/20; H01L 33/38; H01L 33/42;
H01L 33/48; H01L 33/62; H01L 33/483;
H01L 33/486; F21K 9/00; F21K 9/30;
F21K 9/54

See application file for complete search history.

(56) **References Cited**

U.S. PATENT DOCUMENTS

6,657,238 B2 * 12/2003 Ueda H01L 33/38
257/100
6,734,536 B2 * 5/2004 Kobayakawa H01L 21/4828
257/676
7,491,977 B2 * 2/2009 Fukasawa H01L 33/60
257/81

D626,097 S * 10/2010 Takeuchi D13/180
D626,922 S * 11/2010 Wada D13/180
D629,767 S * 12/2010 Shimizu D13/180
D676,002 S * 2/2013 Watanabe D13/180
D676,003 S * 2/2013 Takeda D13/180
D694,201 S * 11/2013 Iino D13/180
D698,742 S * 2/2014 Niikura D13/180
D742,554 S * 11/2015 Kanemaru D26/1
D756,942 S * 5/2016 Shi D13/180
D761,215 S * 7/2016 Shi D13/180
2002/0123163 A1 * 9/2002 Fujii H01L 33/486
438/26
2009/0057855 A1 * 3/2009 Quinones H01L 23/49551
257/676
2010/0059782 A1 * 3/2010 Fujitomo H01L 33/486
257/98
2012/0132933 A1 * 5/2012 Watari H01L 33/52
257/88

* cited by examiner

Primary Examiner — Selina Sikder

(74) *Attorney, Agent, or Firm* — Syncoda LLC; Feng Ma; Junjie Feng

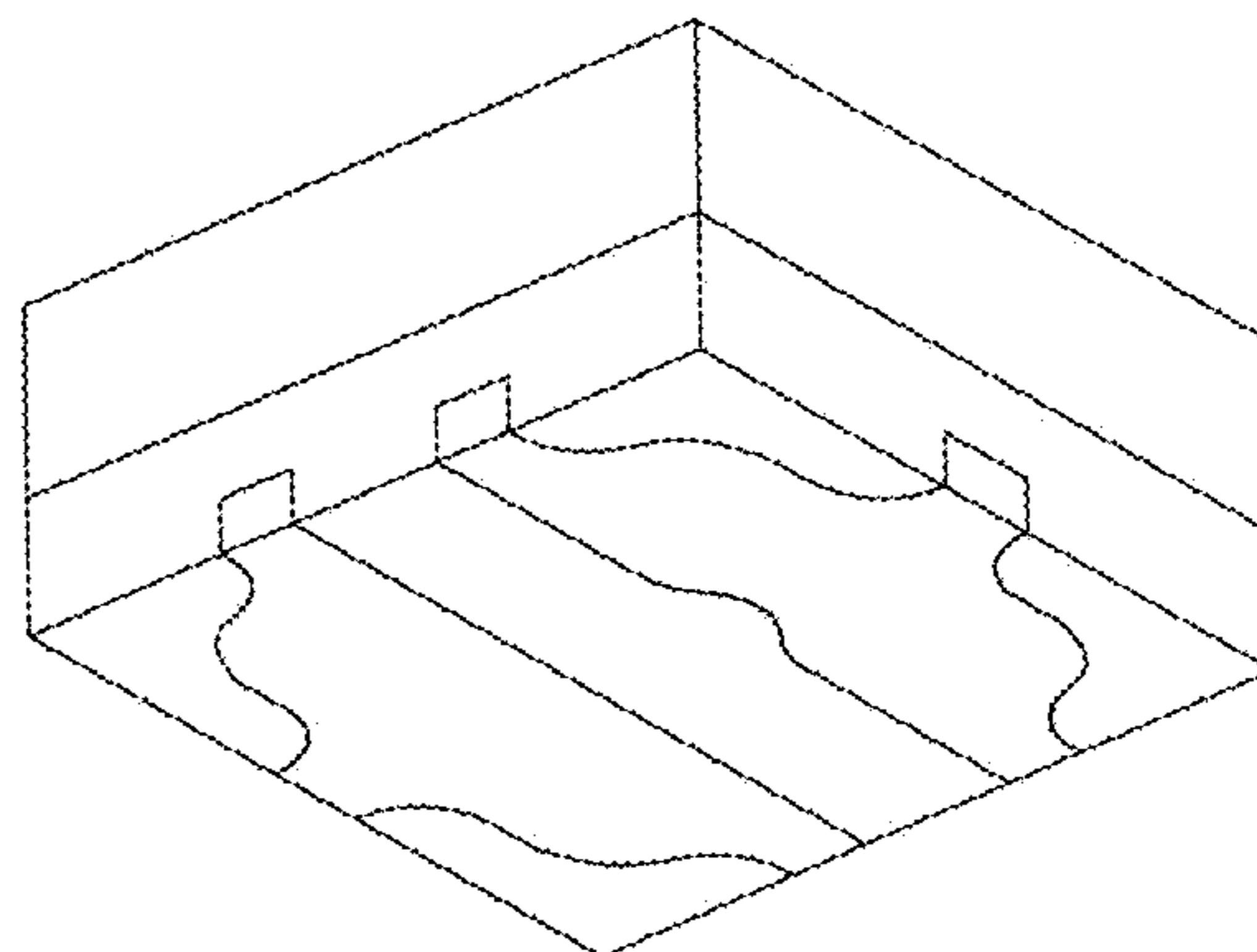
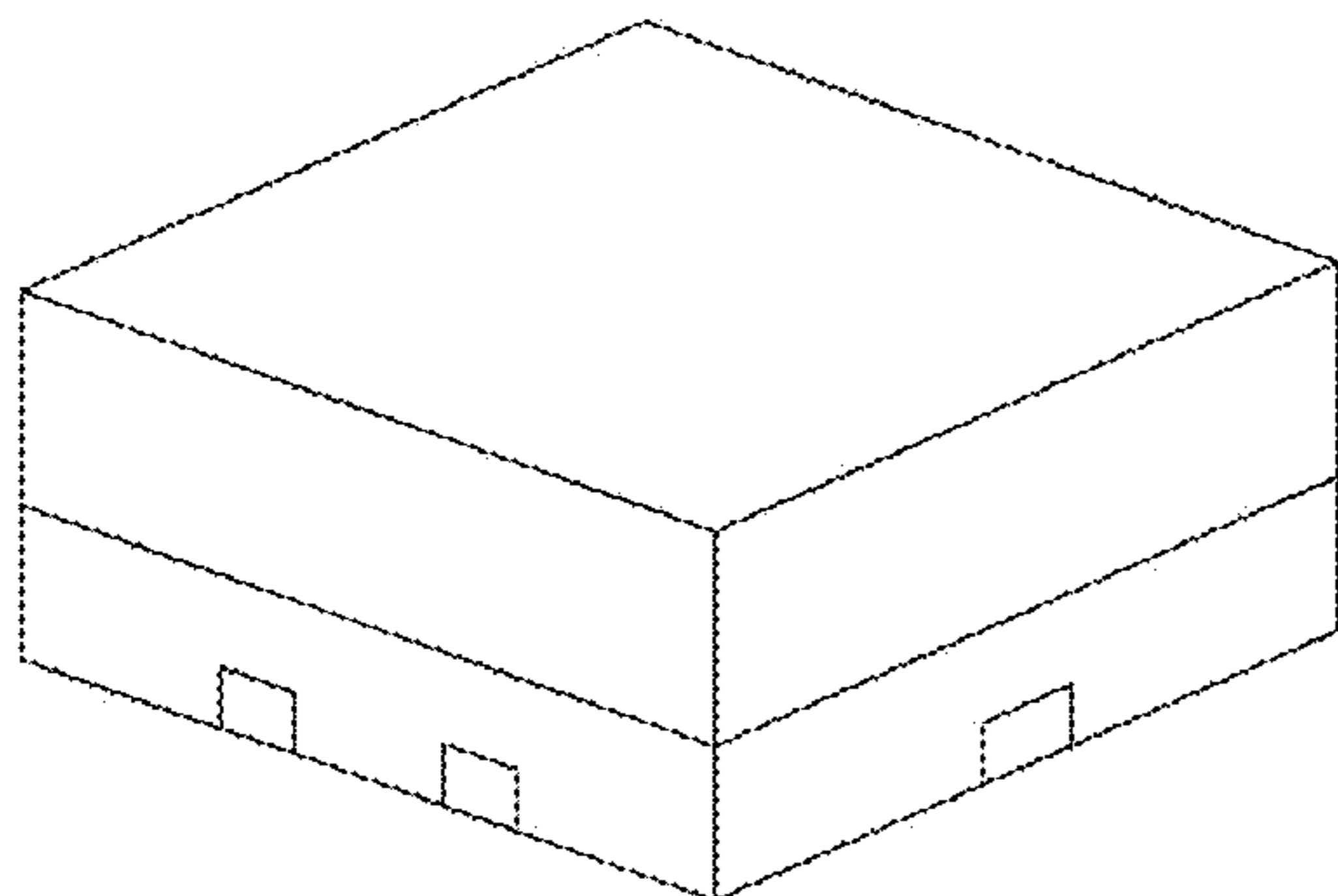
(57) **CLAIM**

The ornamental design for a light-emitting diode package, substantially as shown and described.

DESCRIPTION

FIG. 1 is a front view of a light emitting diode package according to our new design;
FIG. 2 is a rear view of a light emitting diode package according to our new design;
FIG. 3 is a left side view of a light emitting diode package according to our new design;
FIG. 4 is a right side view of a light emitting diode package according to our new design;
FIG. 5 is a top view of a light emitting diode package according to our new design;
FIG. 6 is a bottom view of a light emitting diode package according to our new design;
FIG. 7 is a perspective view of a light emitting diode package according to our new design; and,
FIG. 8 is another perspective view of a light emitting diode package according to our new design.

1 Claim, 4 Drawing Sheets



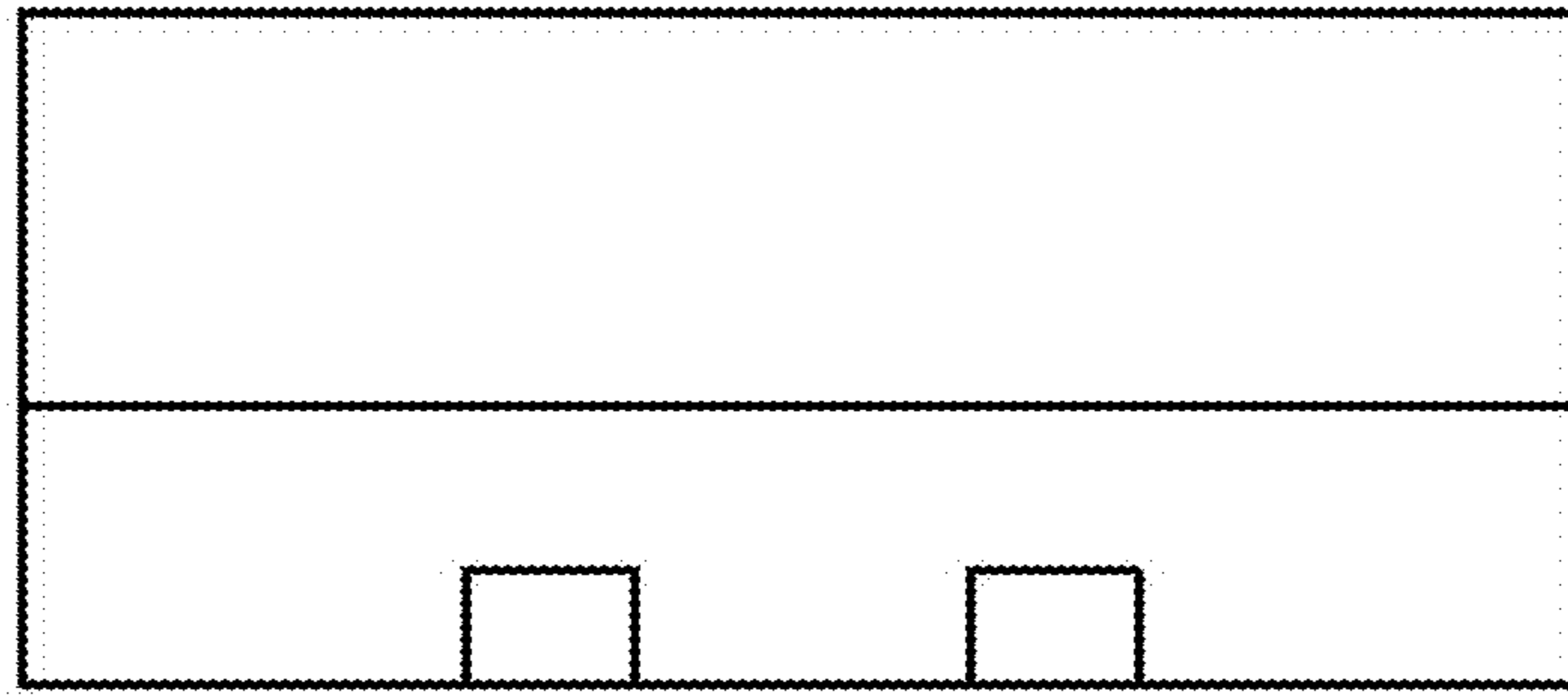


FIG. 1

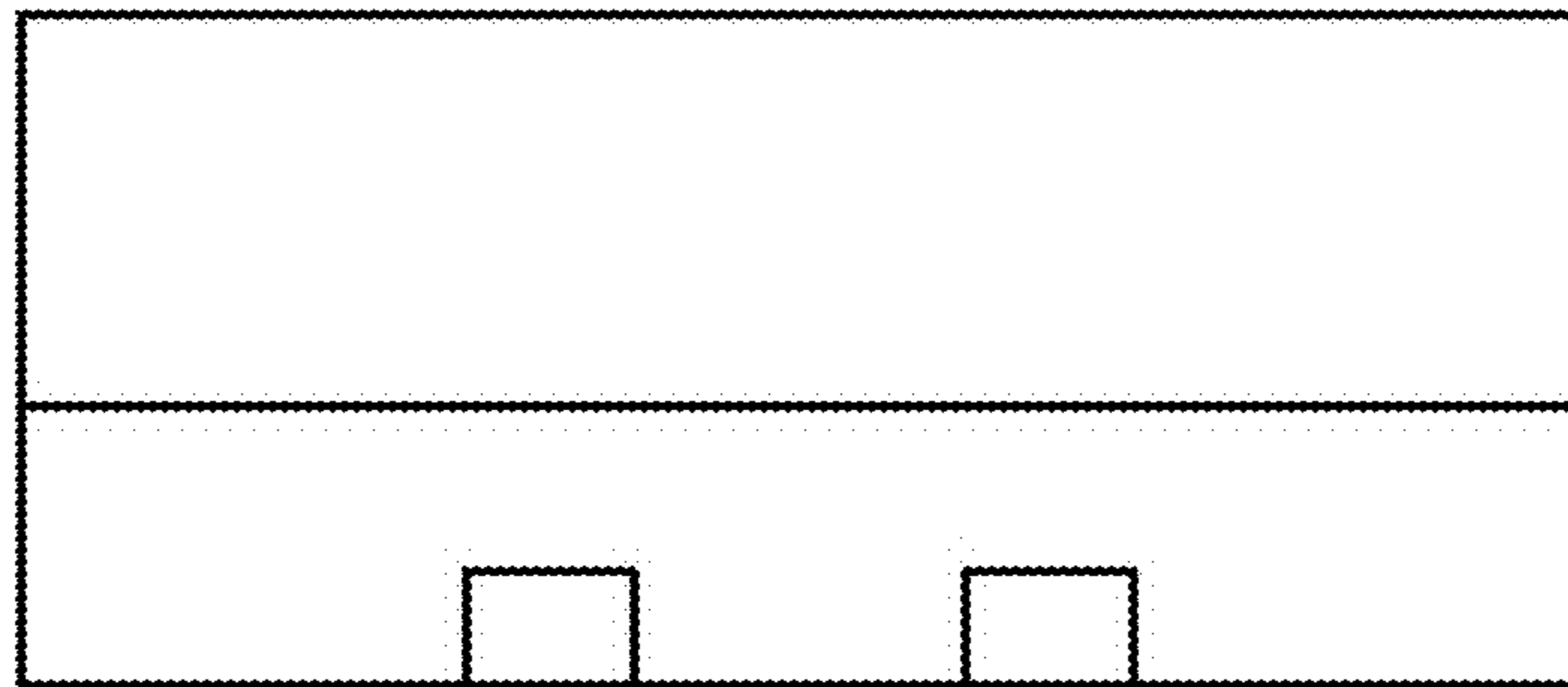


FIG. 2

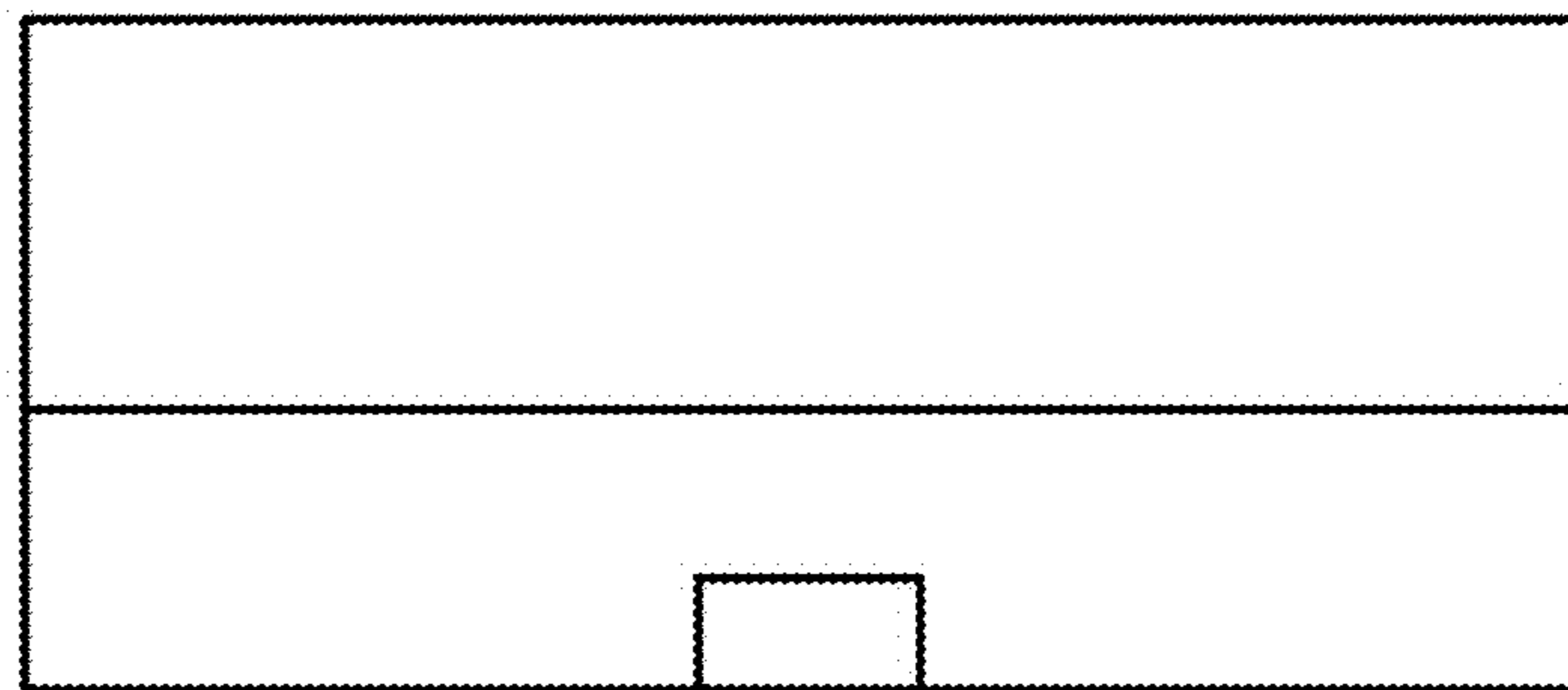


FIG. 3

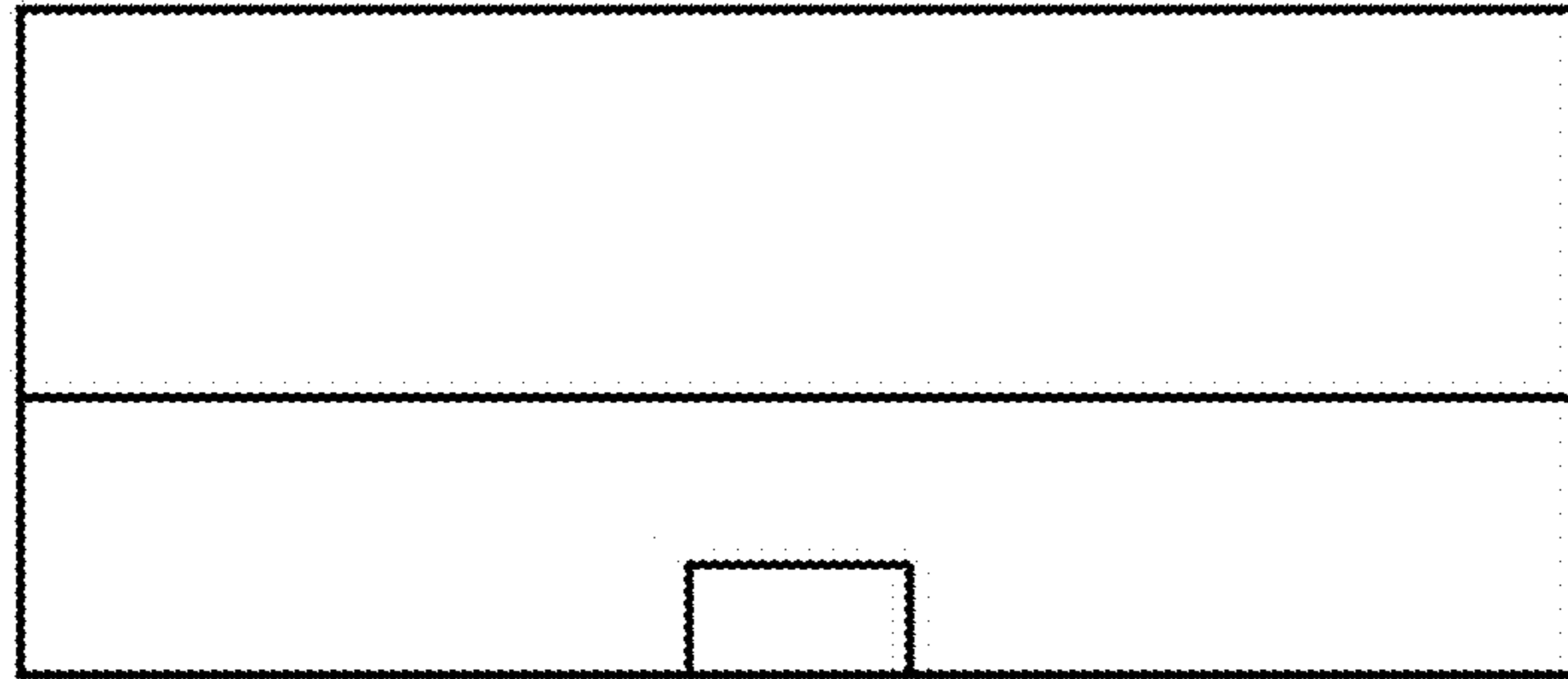


FIG. 4

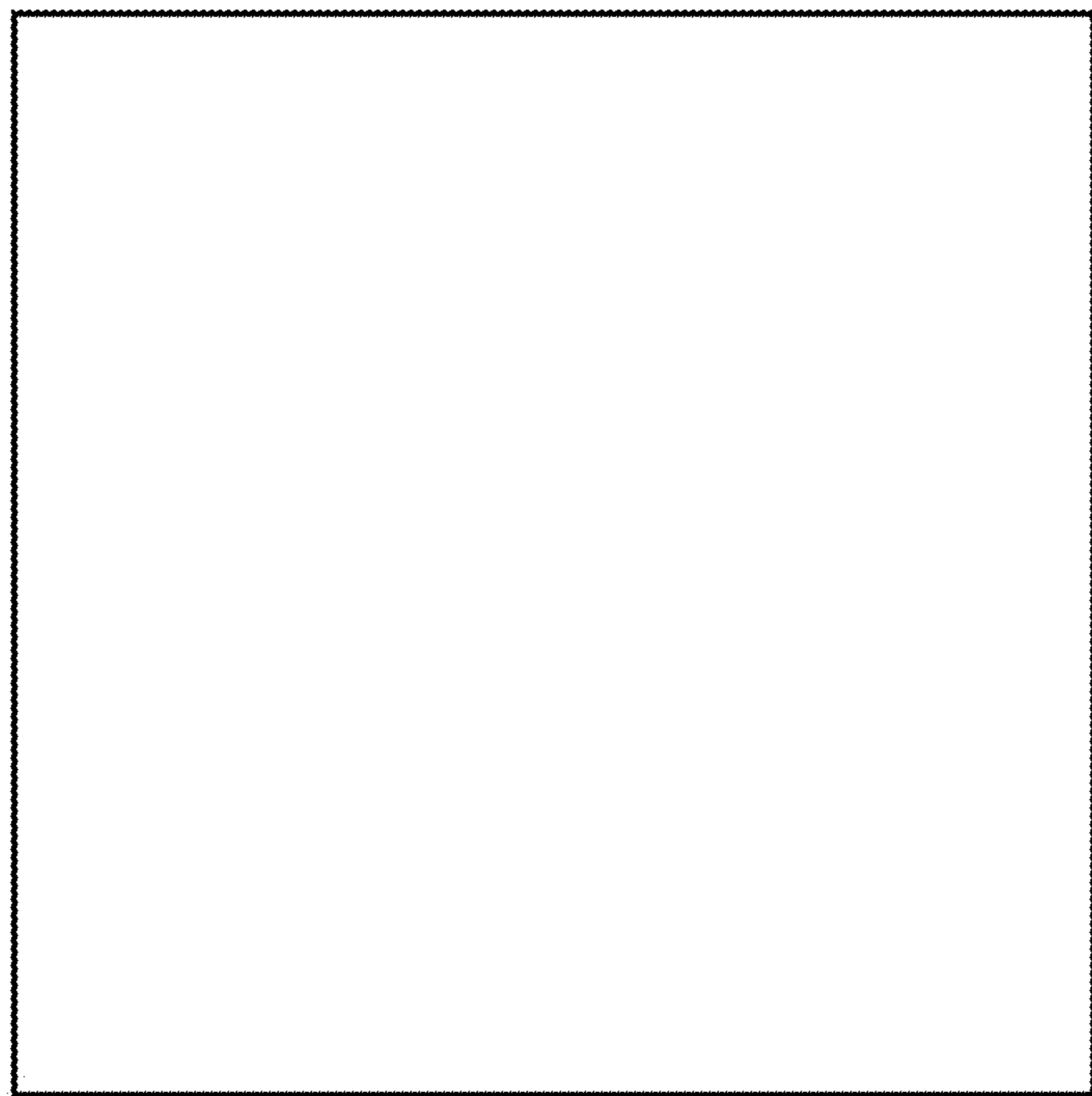


FIG. 5

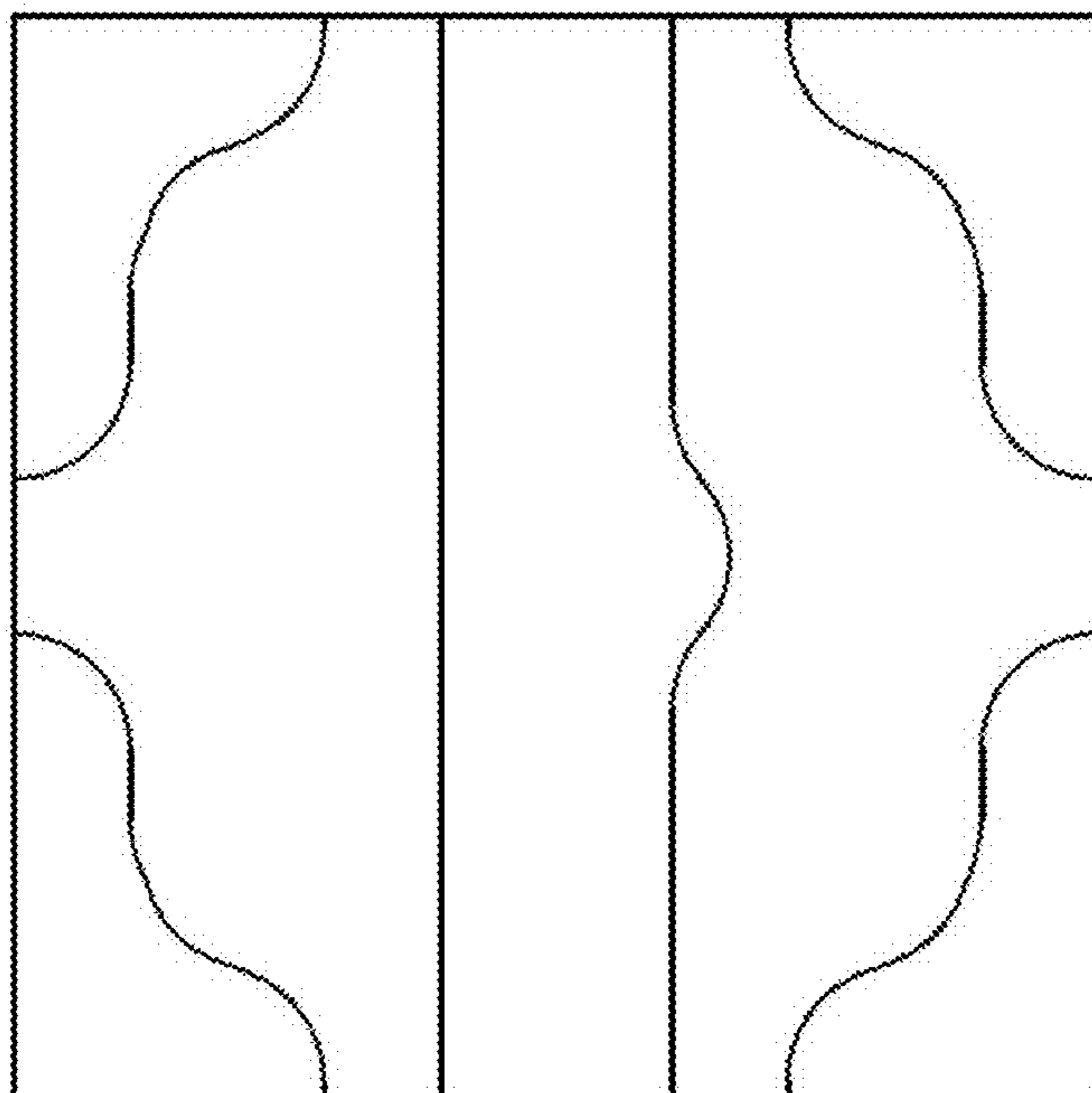


FIG. 6

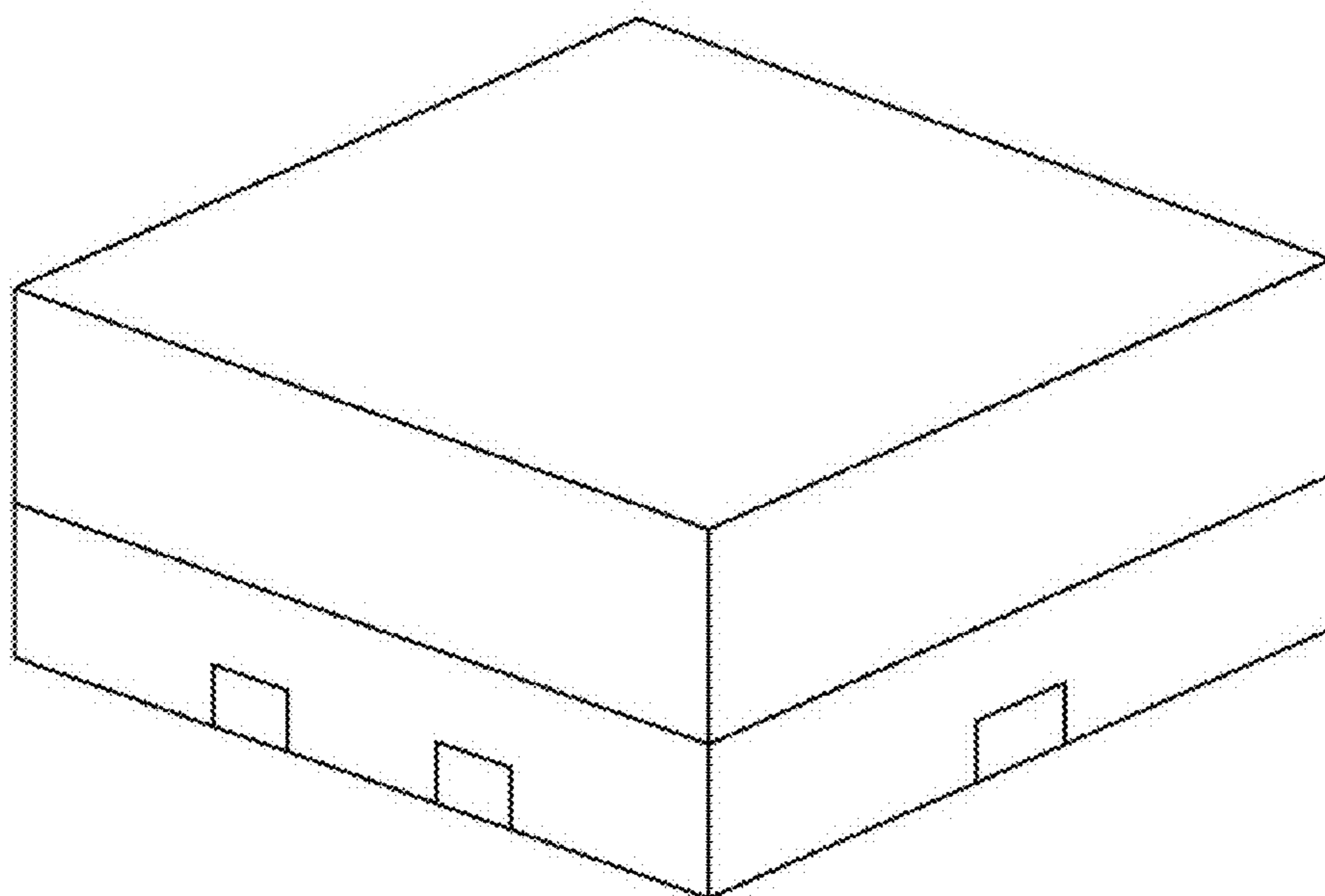


FIG. 7

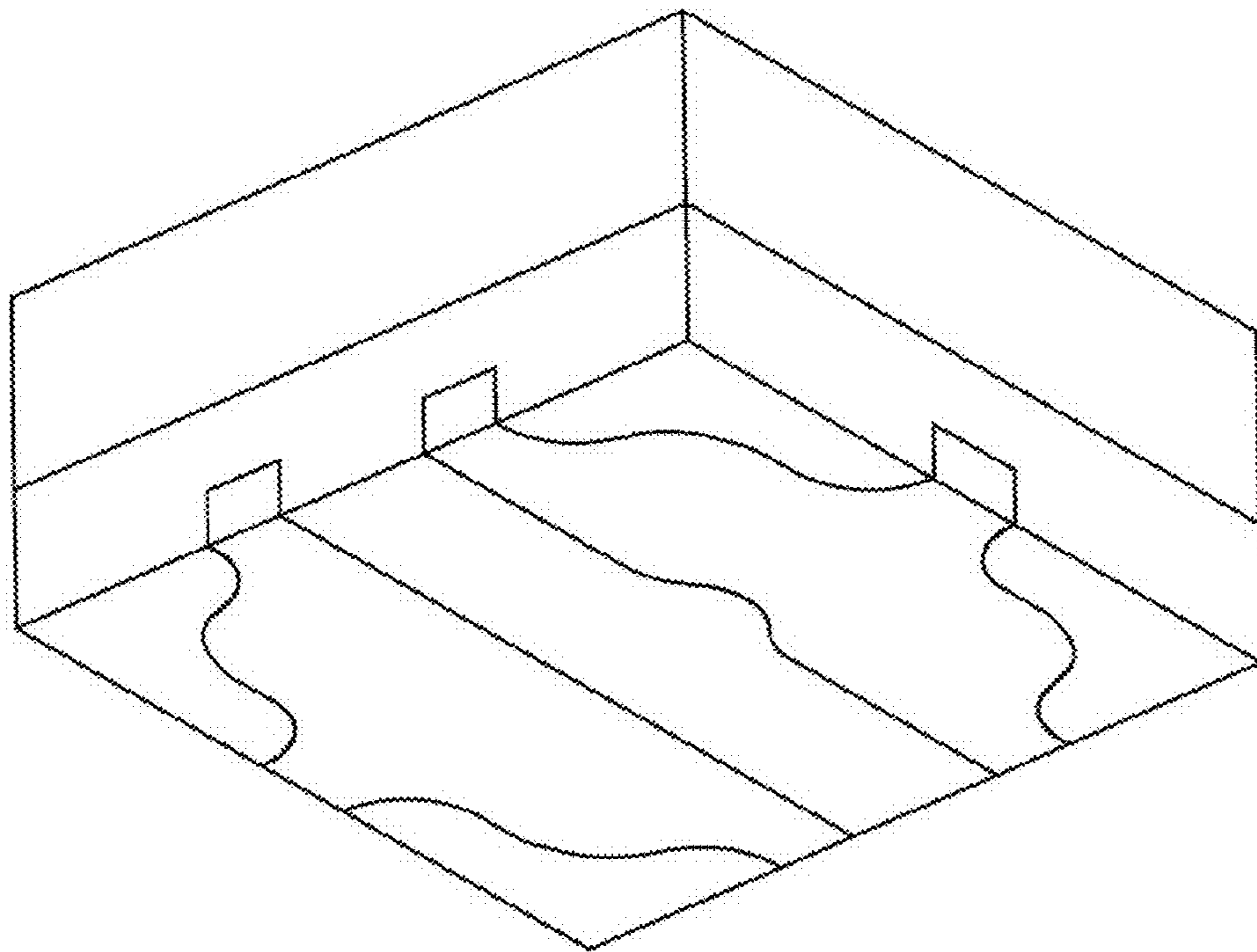


FIG. 8