



US00D768094S

(12) **United States Design Patent**
Chen et al.

(10) **Patent No.:** **US D768,094 S**

(45) **Date of Patent:** **** Oct. 4, 2016**

- (54) **LIGHT-EMITTING DIODE UNIT**
- (71) Applicant: **EPISTAR CORPORATION**, Hsinchu (TW)
- (72) Inventors: **Chao Hsing Chen**, Hsinchu (TW); **Tsung Hsun Chiang**, Hsinchu (TW); **Chien Chih Liao**, Hsinchu (TW); **Wen Hung Chuang**, Hsinchu (TW); **Min Yen Tsai**, Hsinchu (TW); **Bo Jiun Hu**, Hsinchu (TW); **Tzu Yao Tseng**, Hsinchu (TW); **Kuan Yi Lee**, Hsinchu (TW); **Jia Kuen Wang**, Hsinchu (TW)
- (73) Assignee: **EPISTAR CORPORATION**, Hsinchu (TW)

D686,581 S *	7/2013	Lim	D13/180
D687,396 S *	8/2013	Chen	D13/180
8,704,249 B2 *	4/2014	Kamiya	H01L 33/38 257/91
D721,663 S *	1/2015	Chen	D13/180
D725,051 S *	3/2015	Kao	D13/180
D725,052 S *	3/2015	Chen	D13/180
D733,079 S *	6/2015	Chen	D13/180
D745,472 S *	12/2015	Feng	D13/180
D745,473 S *	12/2015	Feng	D13/180
D745,474 S *	12/2015	Feng	D13/180
D745,475 S *	12/2015	Feng	D13/180
D752,527 S *	3/2016	Chen	D13/180
D754,619 S *	4/2016	Feng	D13/180
D755,135 S *	5/2016	Feng	D13/180
2006/0160409 A1 *	7/2006	Shimizu	F21K 9/13 439/490

(Continued)

(**) Term: **14 Years**

FOREIGN PATENT DOCUMENTS

(21) Appl. No.: **29/524,671**

KR 30-2006-0045587 11/2006

(22) Filed: **Apr. 22, 2015**

Primary Examiner — Selina Sikder

(30) **Foreign Application Priority Data**

(74) *Attorney, Agent, or Firm* — Patterson + Sheridan, LLP

Oct. 30, 2014 (TW) 103306322

(51) **LOC (10) Cl.** **13-03**

(52) **U.S. Cl.**
USPC **D13/180**

(58) **Field of Classification Search**
USPC D13/180; D26/1
CPC . H01L 25/167; H01L 25/0753; H01L 27/15;
H01L 27/156; H01L 31/02; H01L 33/00;
H01L 33/04; H01L 33/08; H01L 33/10;
H01L 33/20; H01L 33/38; H01L 33/42;
H01L 33/48; H01L 33/483; H01L 33/486
See application file for complete search history.

(57) **CLAIM**

The ornamental design for a light-emitting diode unit, as shown and described.

(56) **References Cited**

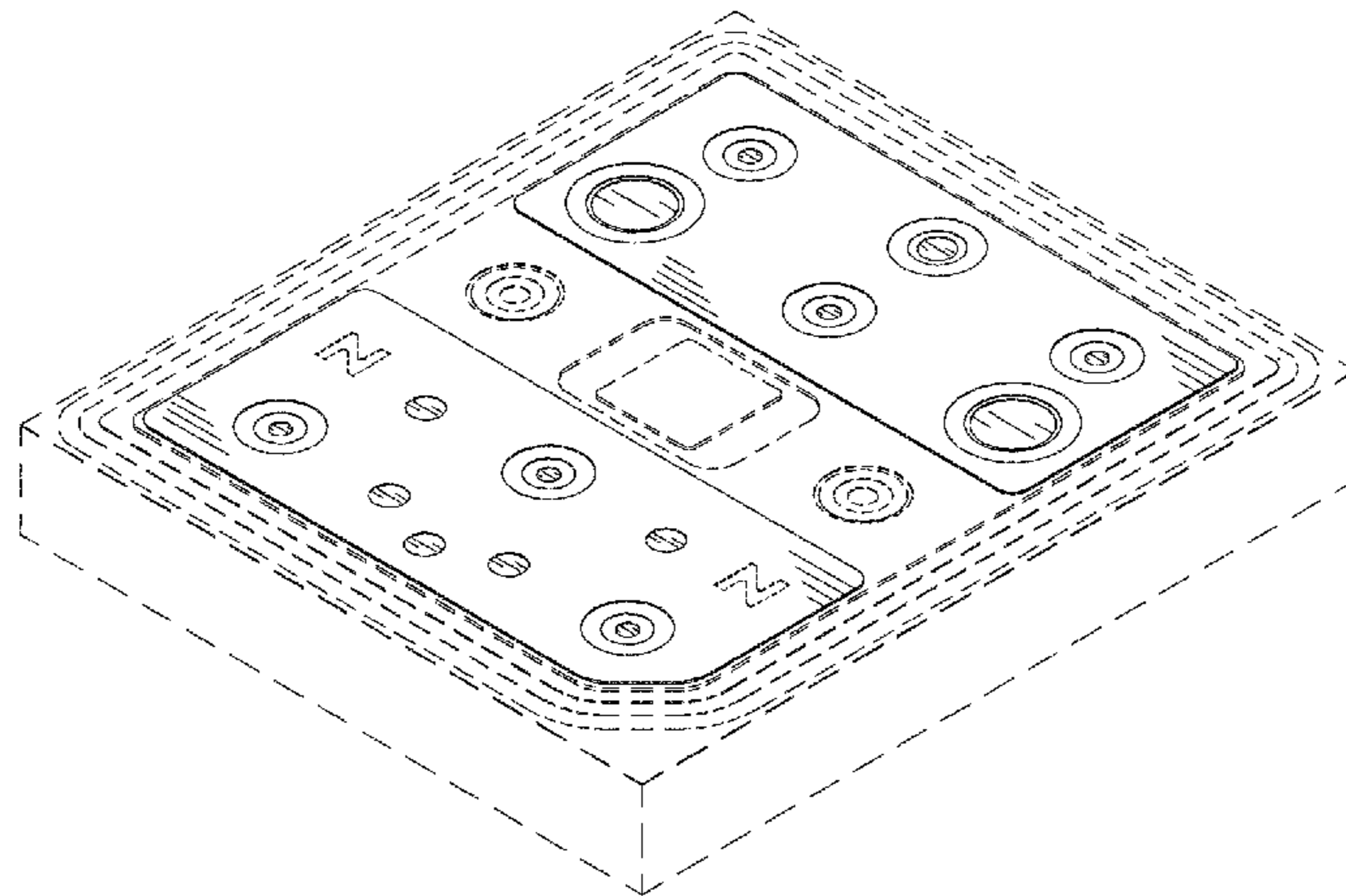
U.S. PATENT DOCUMENTS

7,015,512 B2 *	3/2006	Park	H01L 27/156 257/773
D681,566 S *	5/2013	Chen	D13/180

DESCRIPTION

FIG. 1 is a perspective view of a light-emitting diode unit showing our new design;
FIG. 2 is another perspective view thereof;
FIG. 3 is a front elevational view thereof;
FIG. 4 is a rear elevational view thereof;
FIG. 5 is a left side view thereof;
FIG. 6 is a right side view thereof;
FIG. 7 is a top plan view thereof; and,
FIG. 8 is a bottom plan view thereof.
The broken line showing is for the purpose of illustrating environmental structure only and forms no part of the claimed design.

1 Claim, 6 Drawing Sheets



(56)

References Cited

U.S. PATENT DOCUMENTS

2006/0261725	A1*	11/2006	Lee	H01J 3/021	257/88
					313/495	257/13
2007/0176206	A1*	8/2007	Choi	H01J 9/025	257/88
					257/198	257/98
2008/0116782	A1*	5/2008	Kim	H01J 3/021	257/98
					313/496	257/98
2011/0284883	A1*	11/2011	Suda	H01L 27/153	
2011/0291070	A1*	12/2011	Won	H01L 33/0066	
						257/13
2011/0291120	A1*	12/2011	Tak	H01L 33/08	
						257/88
2016/0005926	A1*	1/2016	Chen	H01L 33/38	
						257/98
2016/0133615	A1*	5/2016	Park	H01L 25/16	
						257/98

* cited by examiner

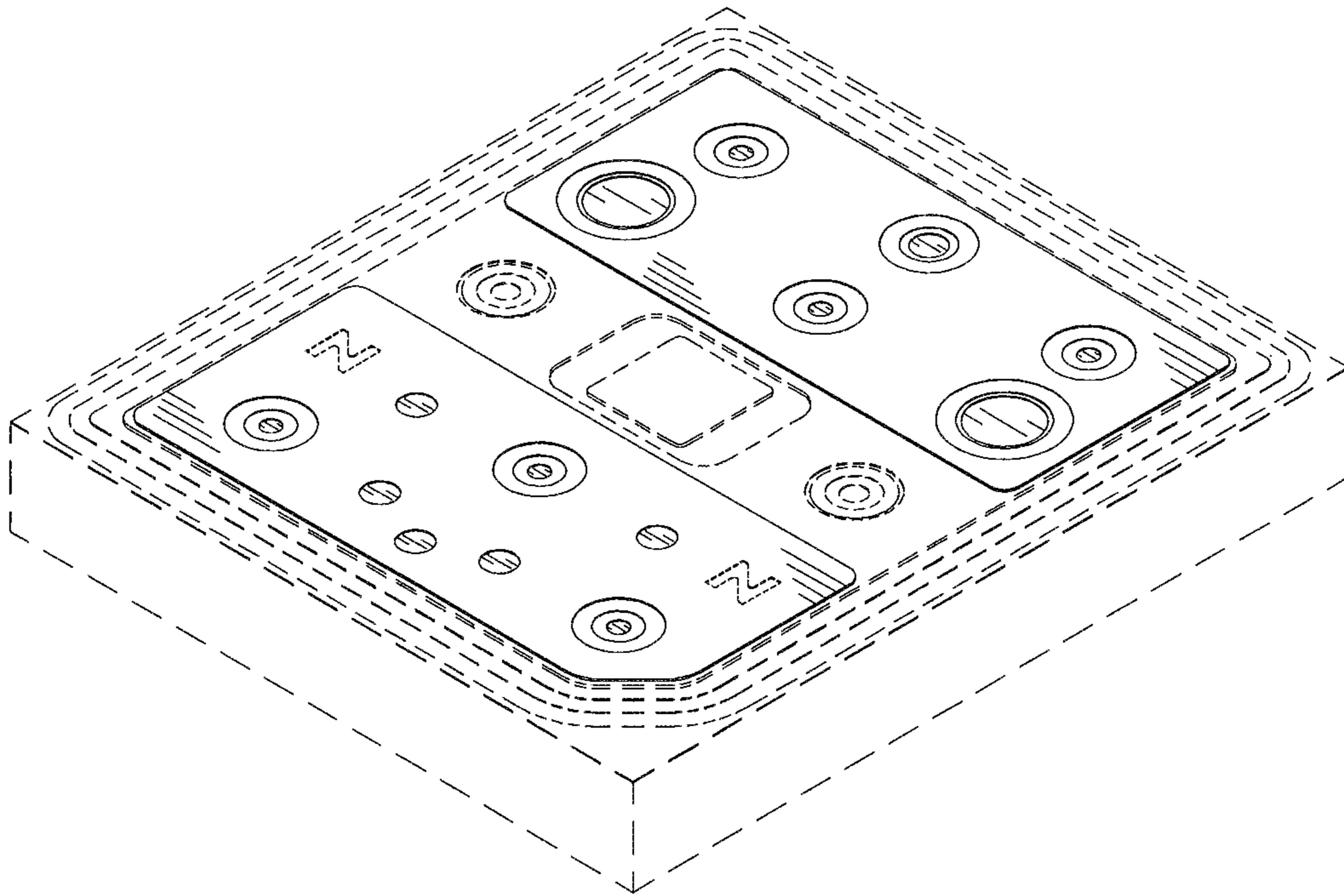


FIG. 1

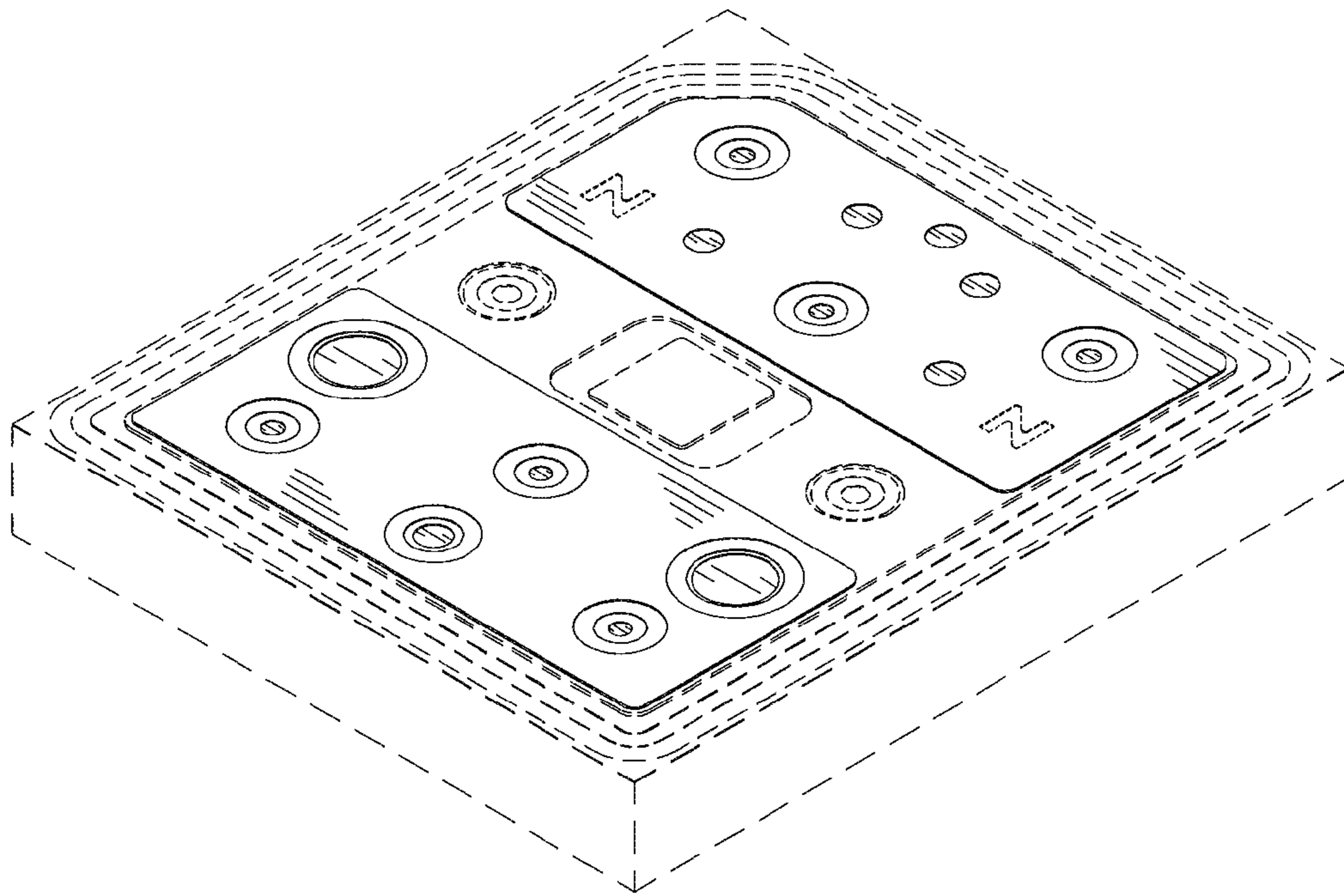


FIG. 2

REPLACEMENT SHEET

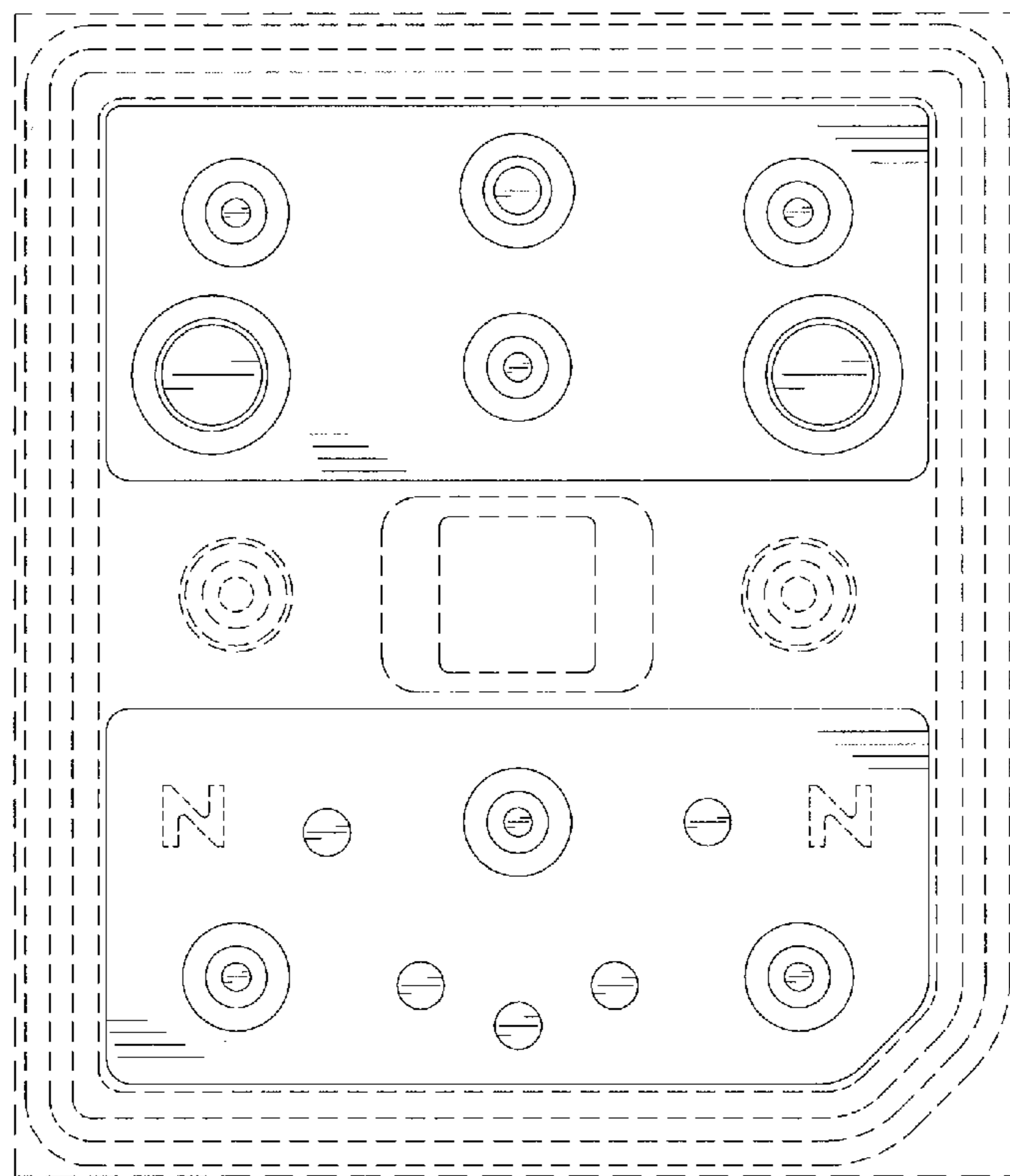


FIG. 3

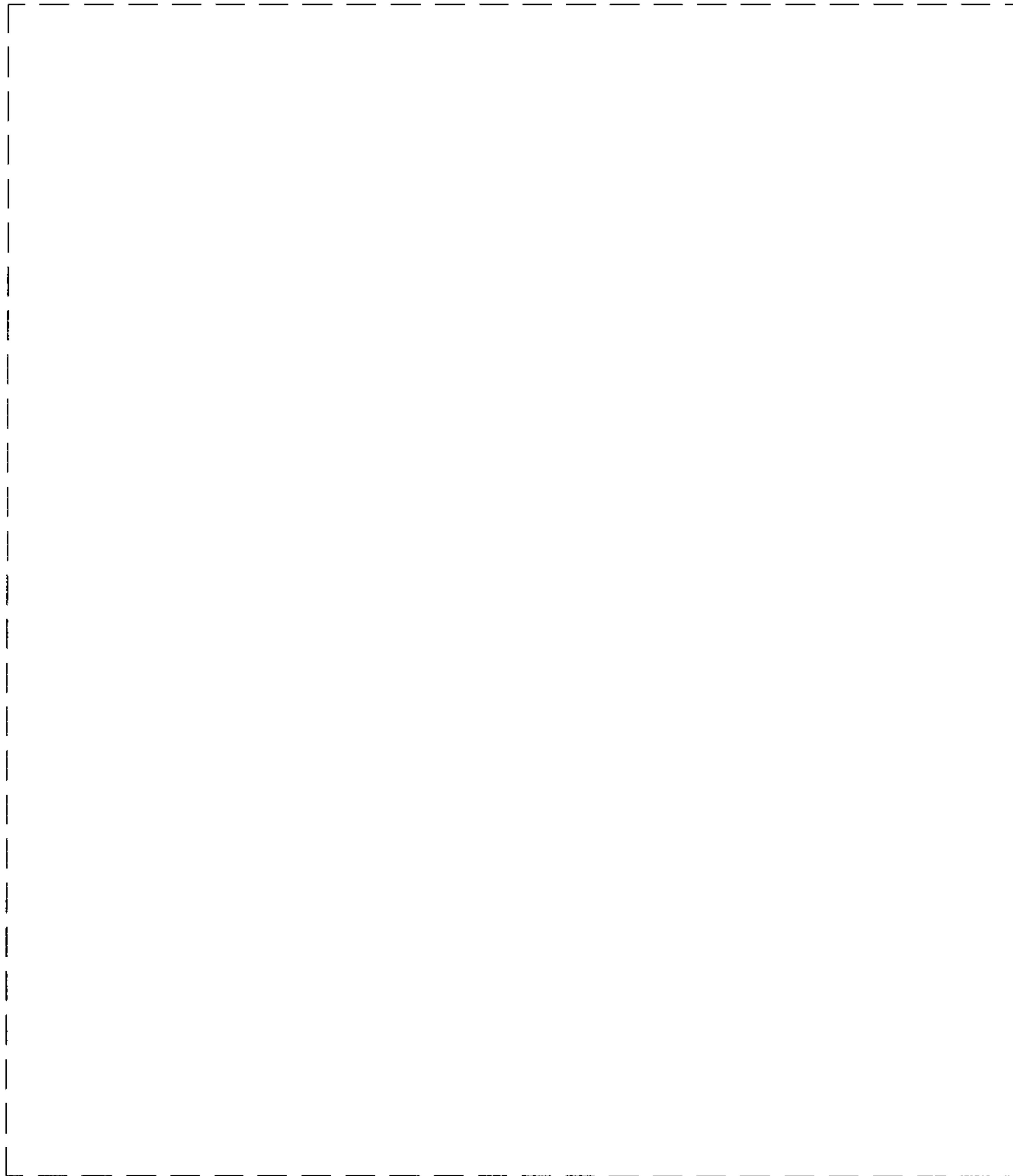


FIG. 4



FIG. 5

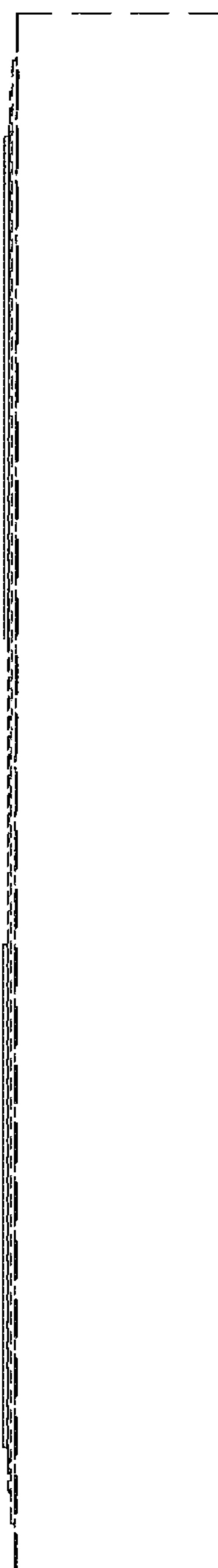


FIG. 6

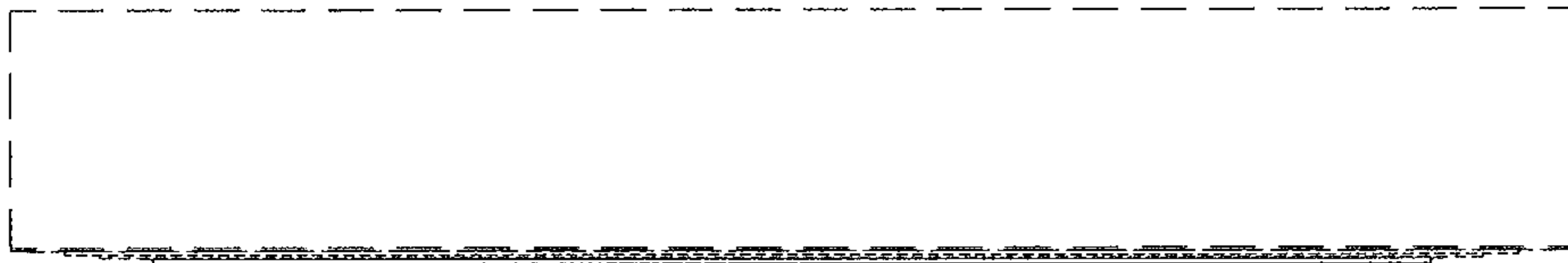


FIG. 7

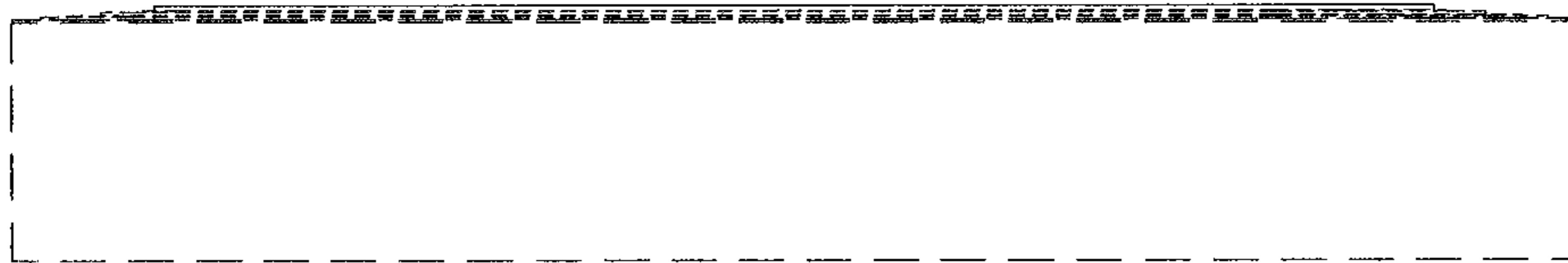


FIG. 8