

US00D768093S

(12) **United States Design Patent**
Wada et al.

(10) **Patent No.:** **US D768,093 S**
(45) **Date of Patent:** **** Oct. 4, 2016**

(54) **LIGHT EMITTING DIODE**
(71) Applicant: **Toyoda Gosei Co., Ltd.**, Kiyosu-shi (JP)
(72) Inventors: **Satoshi Wada**, Kiyosu (JP); **Kosei Fukui**, Kiyosu (JP)
(73) Assignee: **TOYODA GOSEI CO., LTD.**, Kiyosu-Shi, Aichi-Ken (JP)
(**) Term: **14 Years**

D646,646 S * 10/2011 Chen D13/180
D646,647 S * 10/2011 Chen D13/180
D647,491 S * 10/2011 Chen D13/180
D660,811 S 5/2012 Miyoshi
D660,812 S * 5/2012 Sasano D13/180
D677,228 S 3/2013 Miyoshi
D677,229 S 3/2013 Miyoshi
8,581,284 B2 * 11/2013 Seko F21S 48/1154
257/100
8,735,914 B2 * 5/2014 Agatani H01L 25/0753
257/88
9,153,561 B2 * 10/2015 Sasano H01L 25/0753

(21) Appl. No.: **29/500,272**
(22) Filed: **Aug. 22, 2014**

(30) **Foreign Application Priority Data**

Feb. 27, 2014 (JP) 2014-004031
Feb. 27, 2014 (JP) 2014-004032
Feb. 27, 2014 (JP) 2014-004033
Feb. 27, 2014 (JP) 2014-004034
Feb. 27, 2014 (JP) 2014-004035
Feb. 27, 2014 (JP) 2014-004036
May 7, 2014 (JP) 2014-009758

(51) **LOC (10) Cl.** **13-03**
(52) **U.S. Cl.**
USPC **D13/180**

(58) **Field of Classification Search**
USPC D13/180; D26/1
CPC . H01L 25/167; H01L 25/0753; H01L 27/15;
H01L 27/156; H01L 31/02; H01L 33/00;
H01L 33/04; H01L 33/08; H01L 33/10;
H01L 33/20; H01L 33/38; H01L 33/42;
H01L 33/48; H01L 33/62; H01L 33/483;
H01L 33/486; F21K 9/00; F21K 9/30;
F21K 9/54

See application file for complete search history.

(56) **References Cited**

U.S. PATENT DOCUMENTS

6,476,410 B2 * 11/2002 Ishinaga H01L 33/486
257/13
D636,900 S * 4/2011 Chou D26/1
D646,644 S * 10/2011 Chen D13/180
D646,645 S * 10/2011 Chen D13/180

OTHER PUBLICATIONS

Japanese Office Action issued in JP Design Application No. 2014-004032 (with English summary of the Office Action).

Japanese Office Action issued in JP Design Application No. 2014-004033 (with English summary of the Office Action).

* cited by examiner

Primary Examiner — Selina Sikder

(74) *Attorney, Agent, or Firm* — McGinn IP Law Group, PLLC

(57) **CLAIM**

The ornamental design for a light emitting diode, as shown and described.

DESCRIPTION

FIG. 1 is a front perspective view of a first embodiment of a light emitting diode showing our new design;
FIG. 2 is a front view thereof;
FIG. 3 is a rear view thereof;
FIG. 4 is a top plan view thereof;
FIG. 5 is a bottom view thereof;
FIG. 6 is a right side view thereof;
FIG. 7 is a left side view thereof;
FIG. 8 is a sectional view taken along line 8-8 in FIG. 2;
FIG. 9 is a sectional view taken along line 9-9 in FIG. 2;
FIG. 10 is a front perspective view of a second embodiment of a light emitting diode showing our new design;
FIG. 11 is a front view thereof;
FIG. 12 is a rear view thereof;
FIG. 13 is a top plan view thereof;

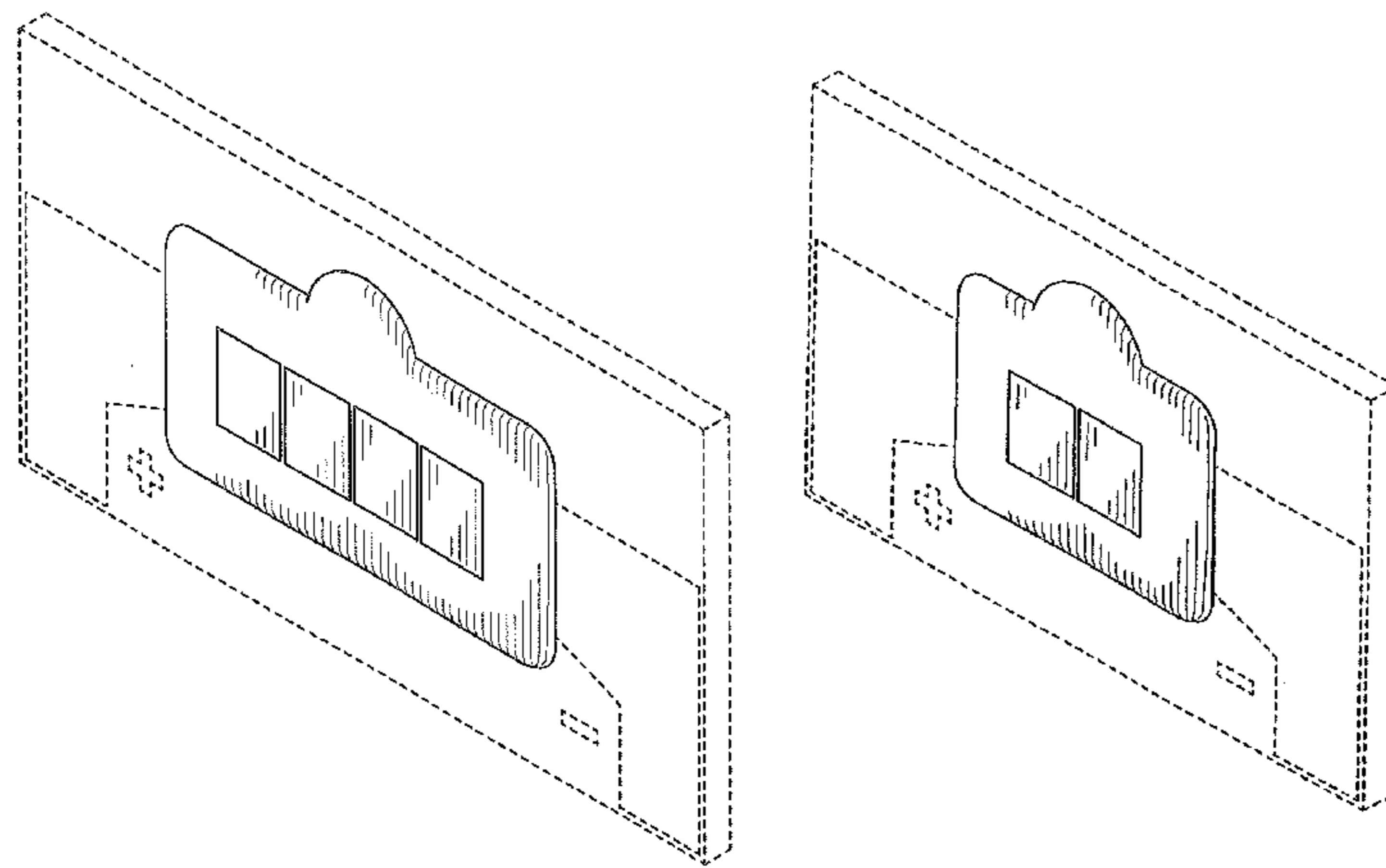


FIG. 14 is a bottom view thereof;
FIG. 15 is a right side view thereof;
FIG. 16 is a left side view thereof;
FIG. 17 is a sectional view taken along line 17-17 in FIG. 11;
FIG. 18 is a sectional view taken along line 18-18 in FIG. 11;
FIG. 19 is a front perspective view of a third embodiment of a light emitting diode showing our new design;
FIG. 20 is a front view thereof;
FIG. 21 is a rear view thereof;
FIG. 22 is a top plan view thereof;

FIG. 23 is a bottom view thereof;
FIG. 24 is a right side view thereof;
FIG. 25 is a left side view thereof;
FIG. 26 is a sectional views taken along line 26-26 in FIG. 20; and,
FIG. 27 is a sectional view taken along line 27-27 in FIG. 20.
The broken lines are shown for illustrative purposes only and form no part of the claimed design.

1 Claim, 27 Drawing Sheets

FIG. 1

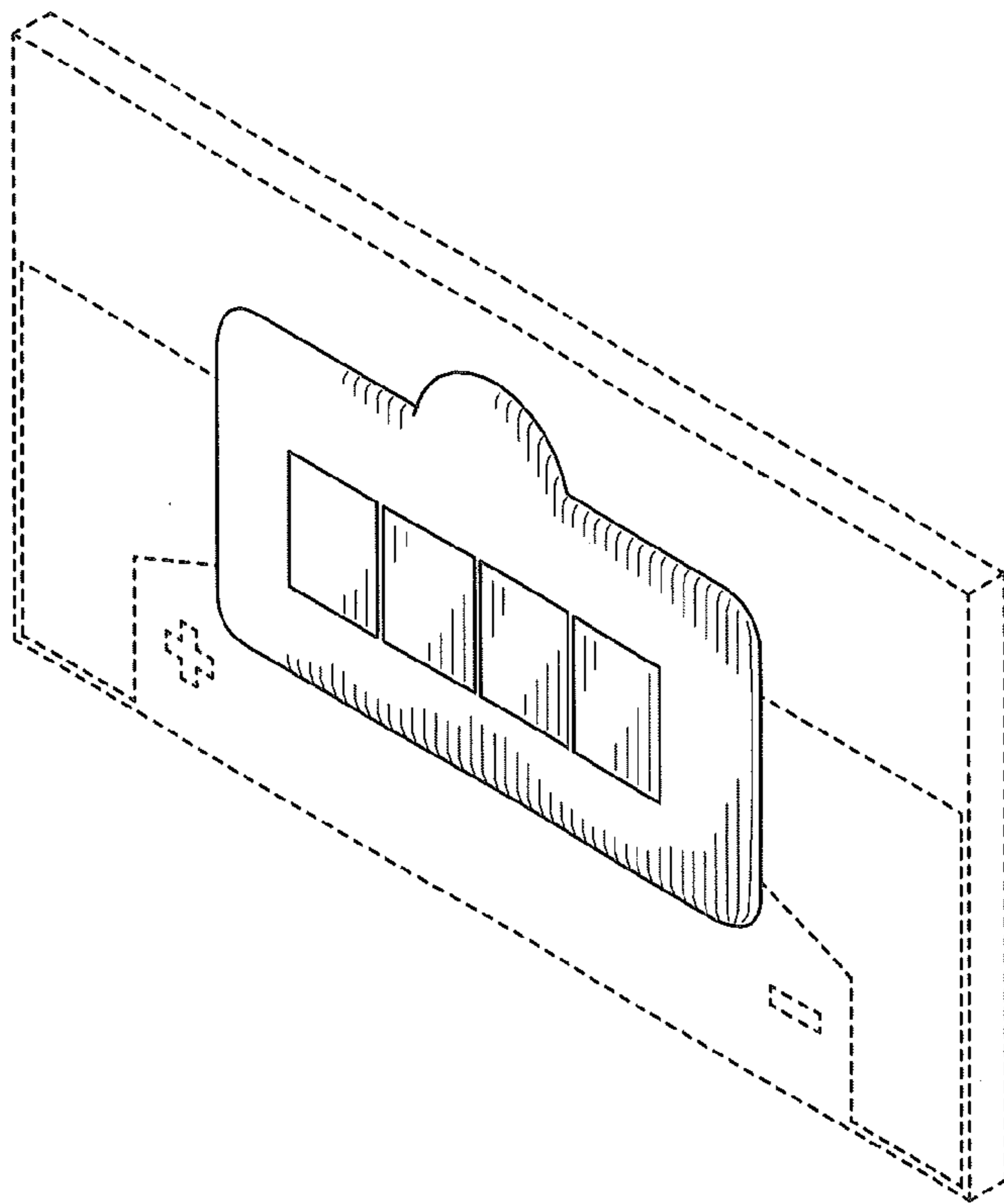


FIG. 2

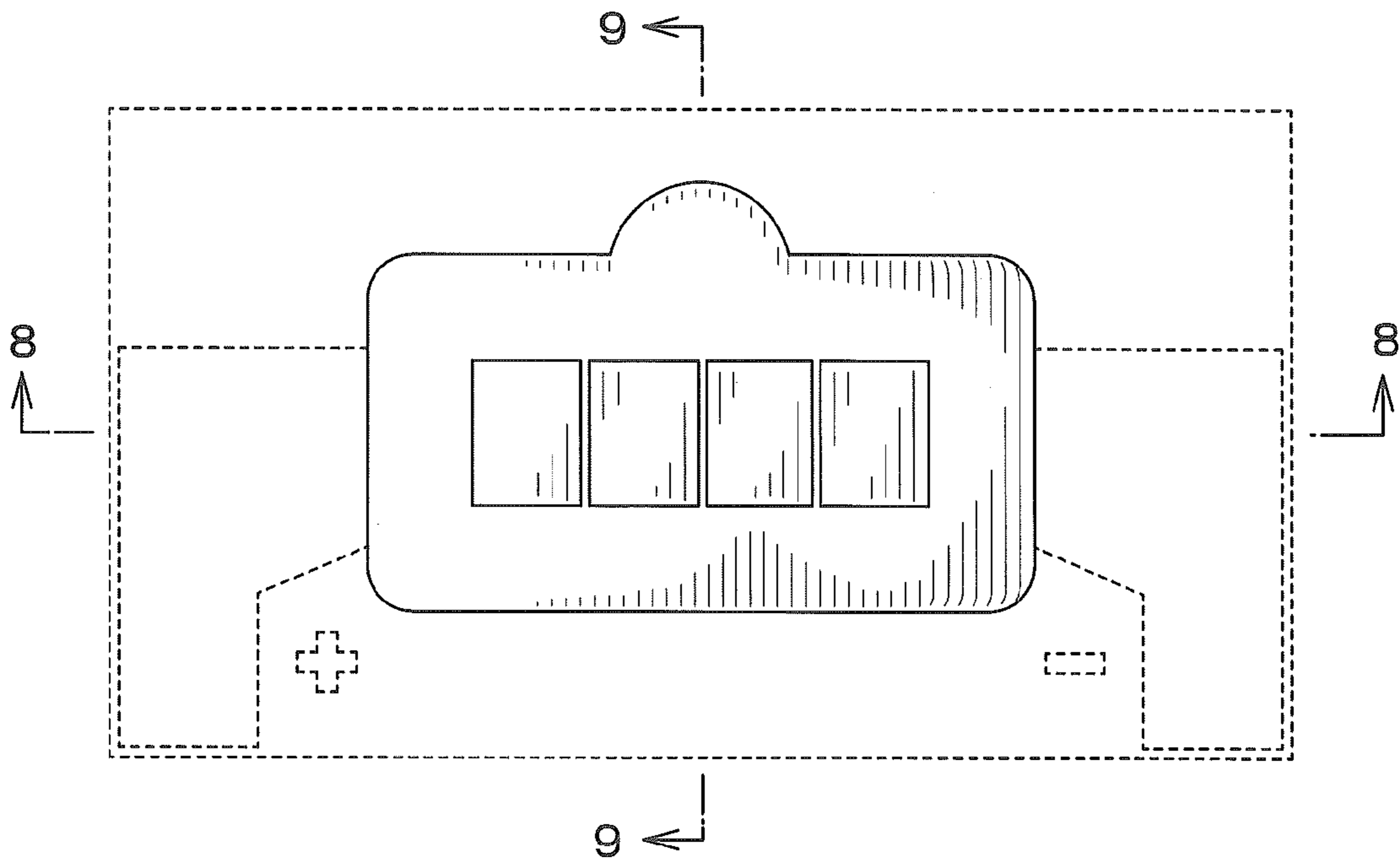


FIG. 3



FIG. 4

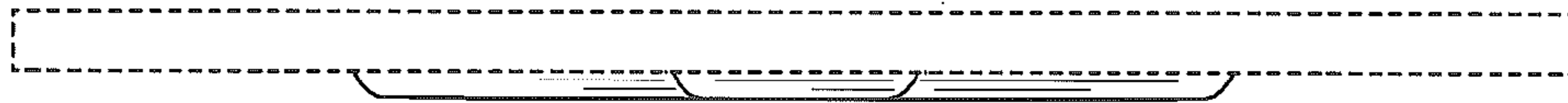


FIG. 5

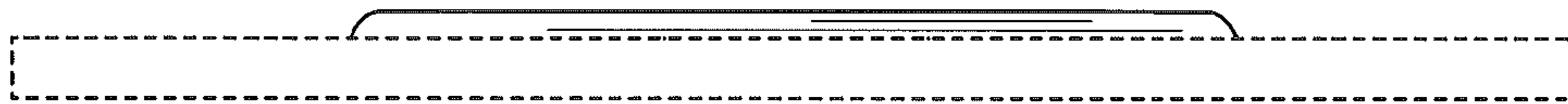


FIG. 6



FIG. 7



FIG. 8

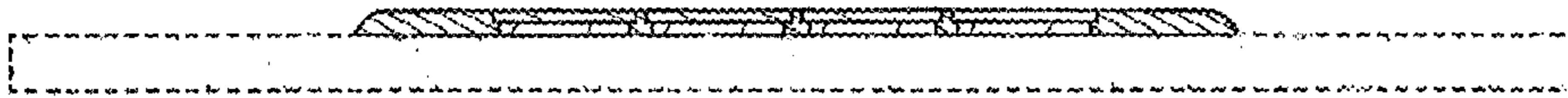


FIG. 9



FIG. 10

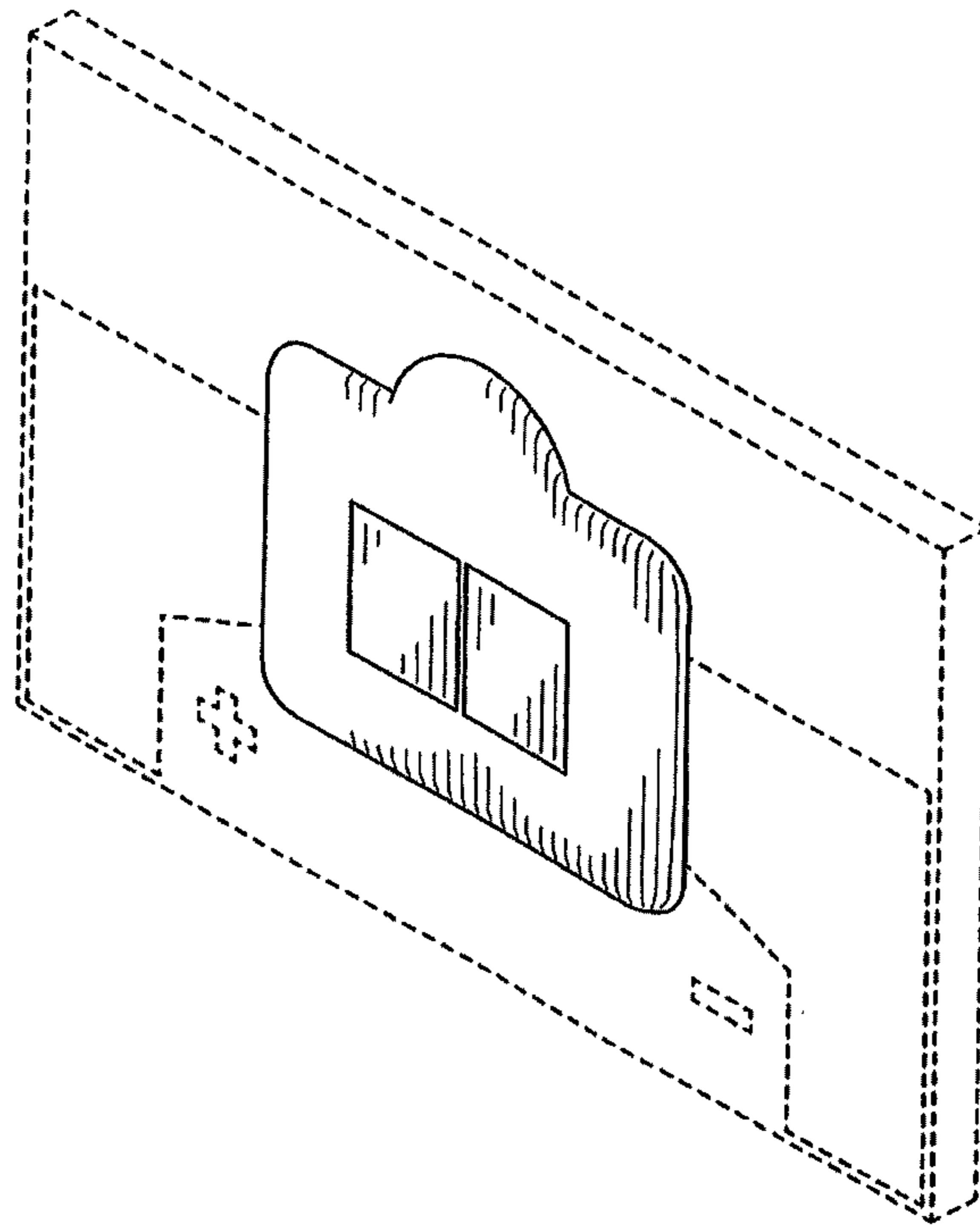


FIG. 11

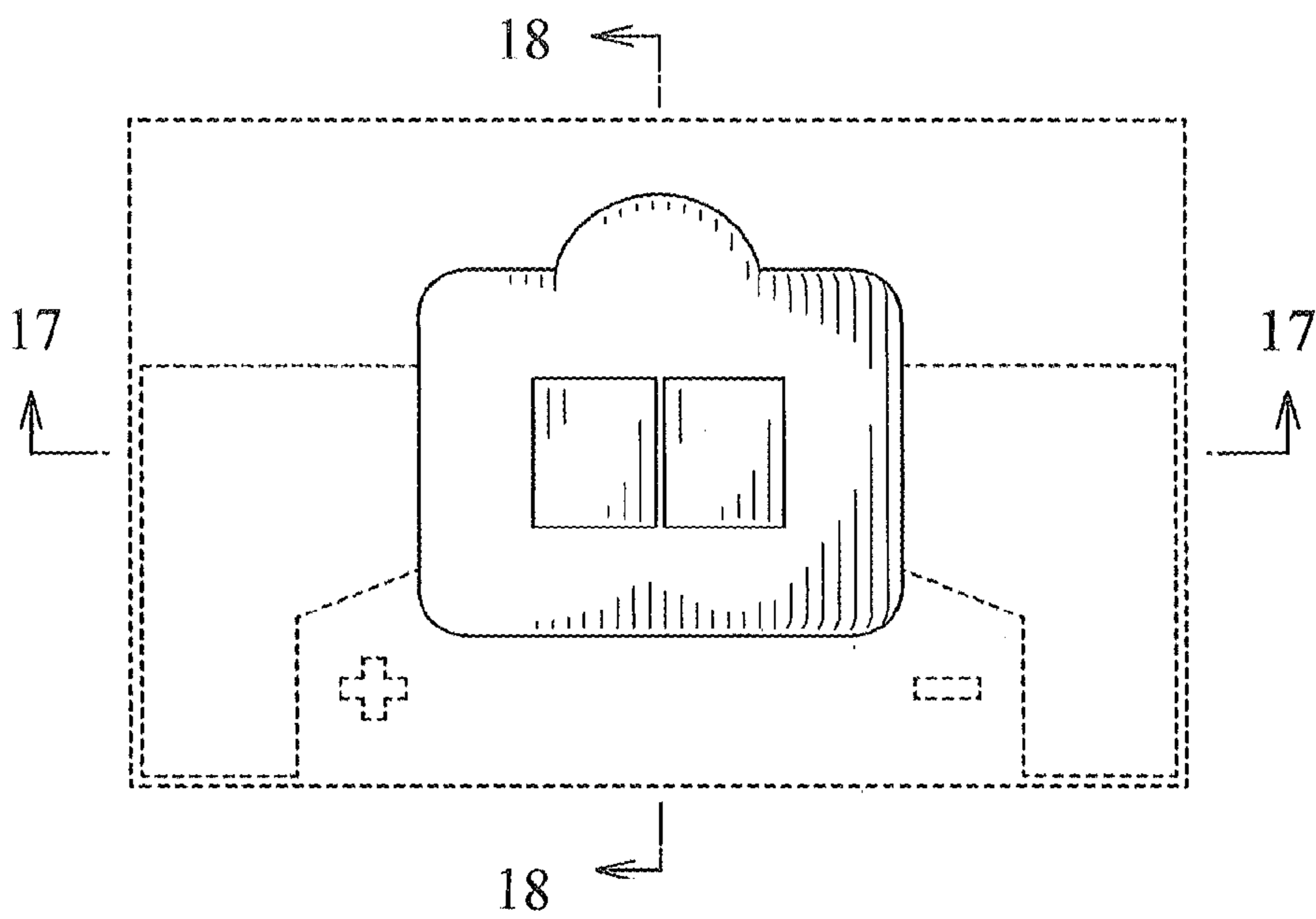


FIG. 12



FIG. 13



FIG.14



FIG. 15



FIG. 16

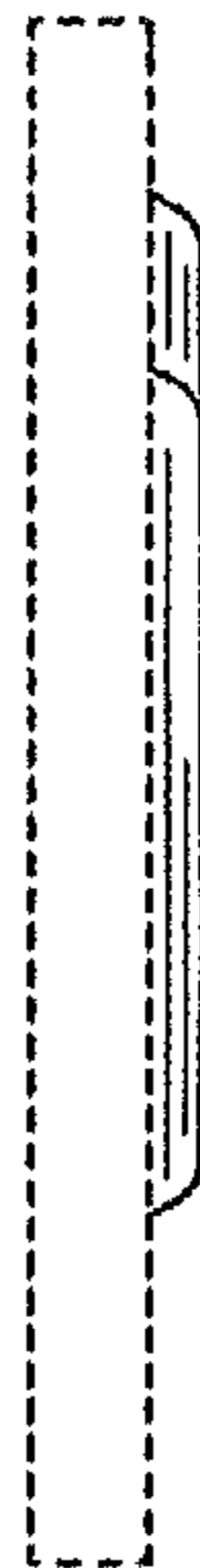


FIG. 17

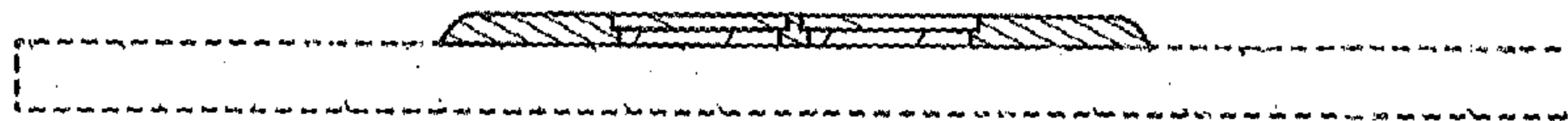


FIG. 18



FIG. 19

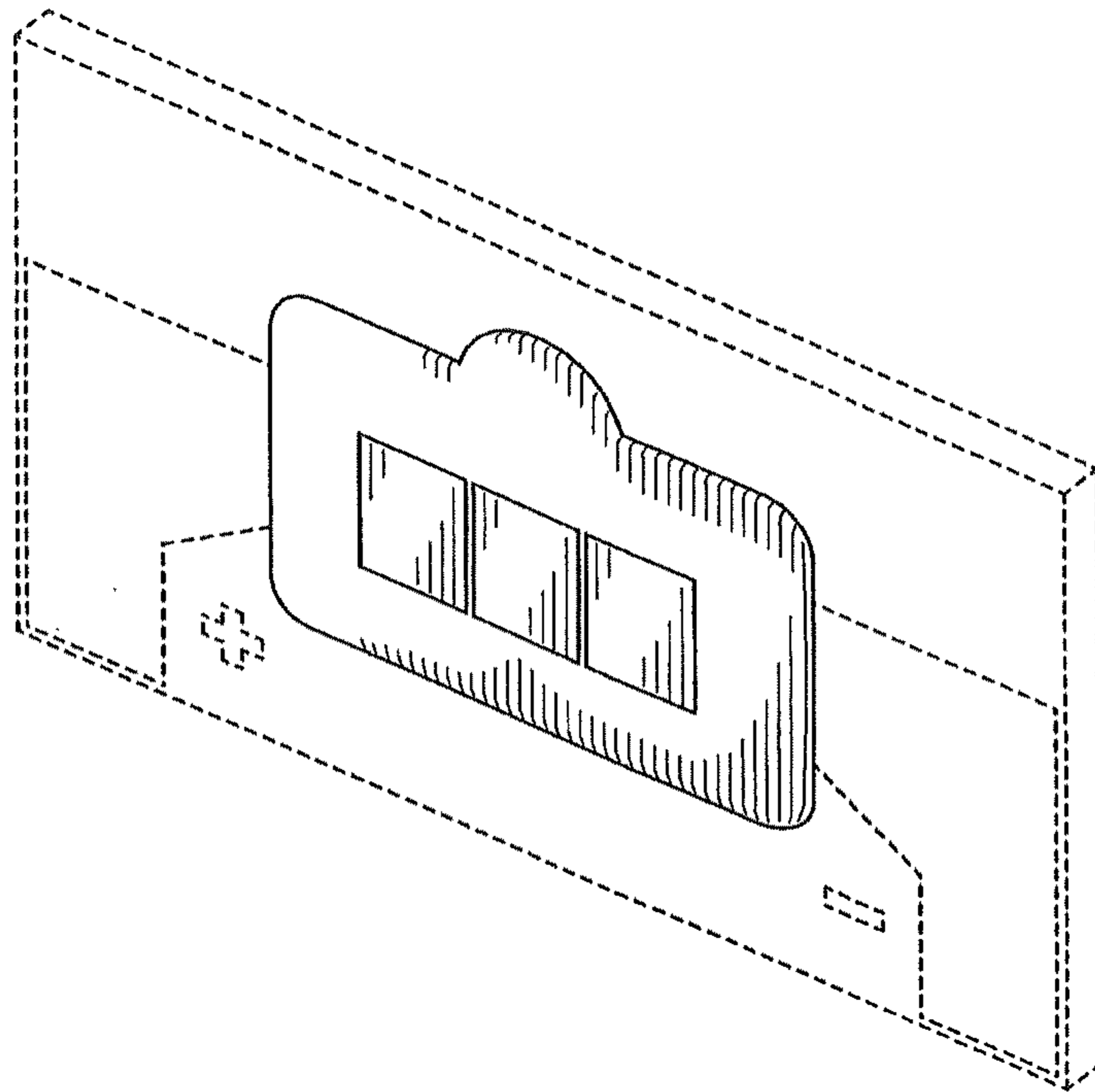


FIG. 20

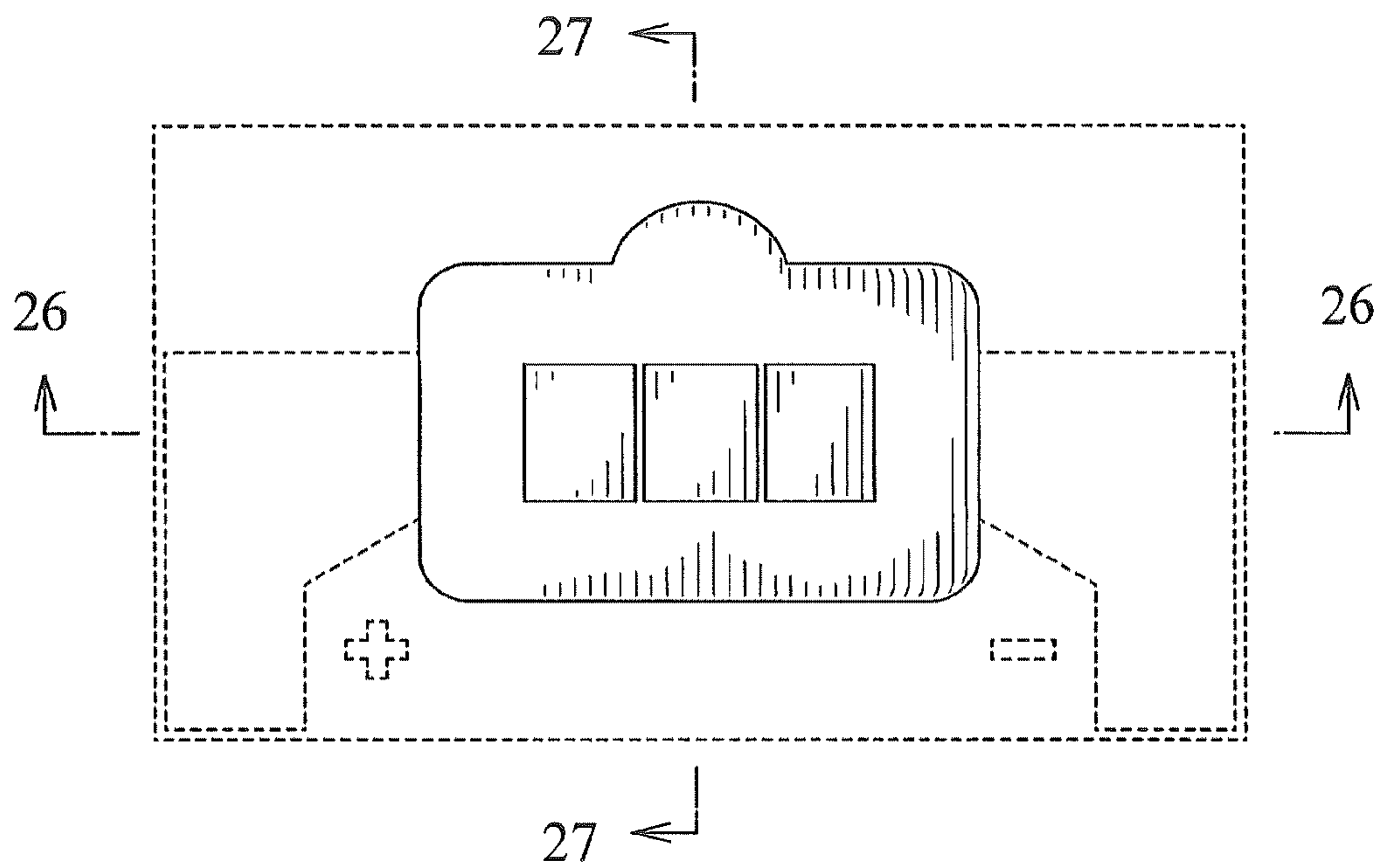


FIG. 21

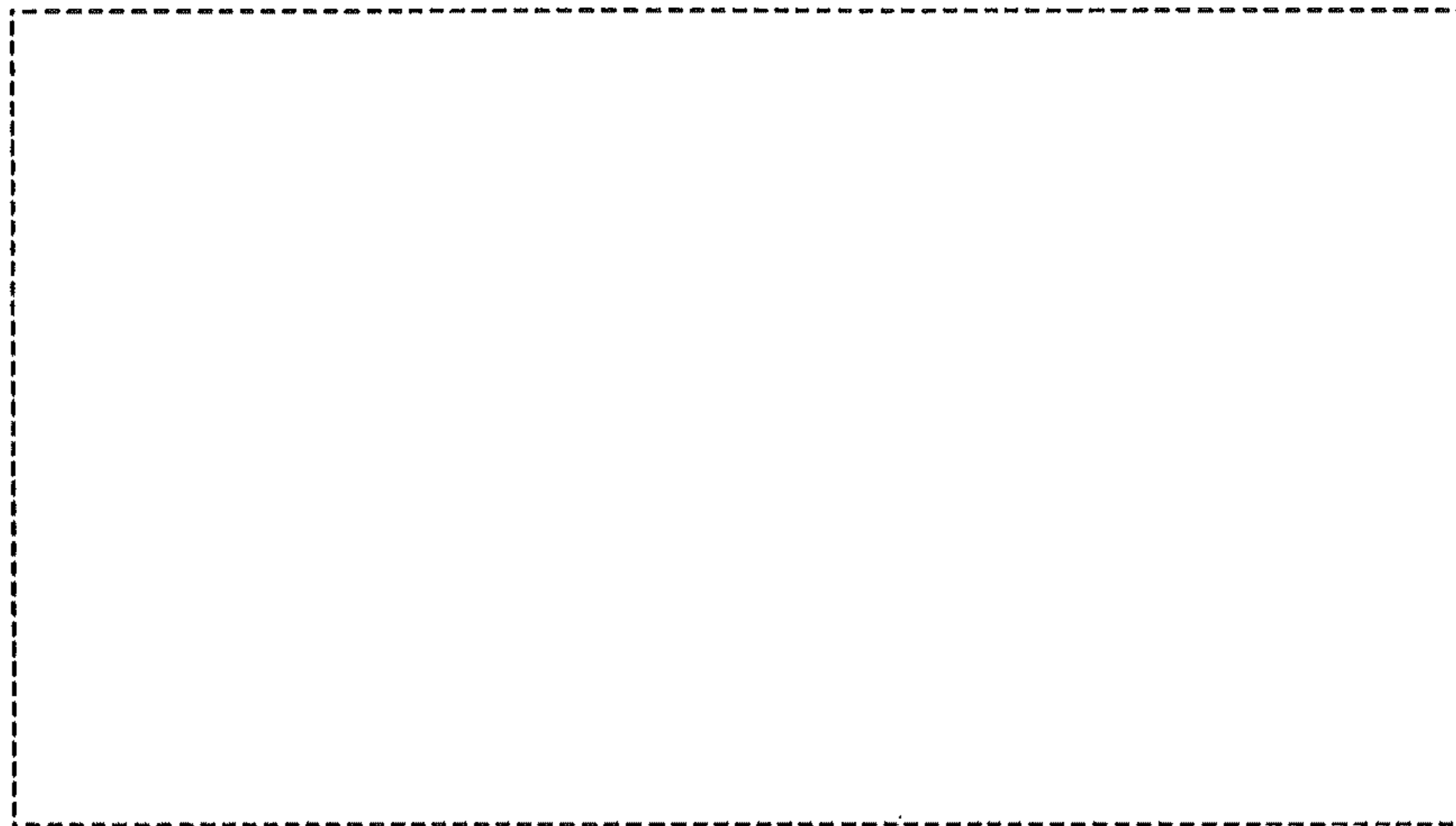


FIG. 22



FIG. 23

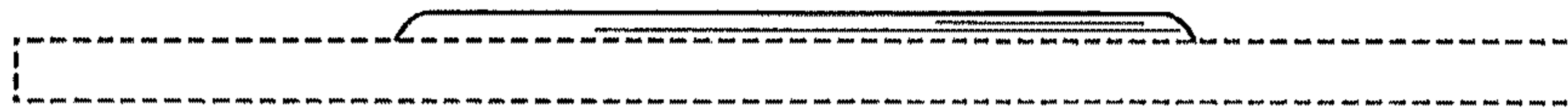


FIG. 24



FIG. 25



FIG. 26

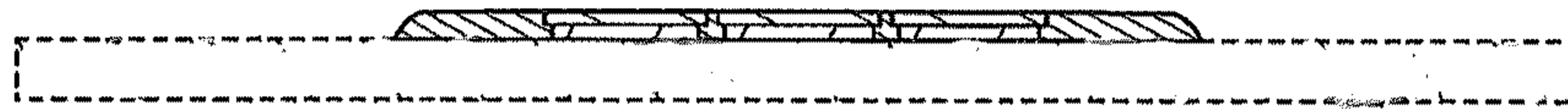


FIG. 27

