

US00D768092S

(12) **United States Design Patent**
Hansen et al.

(10) **Patent No.:** **US D768,092 S**
(45) **Date of Patent:** **** Oct. 4, 2016**

(54) **COMPONENT FOR ELECTRICAL INSTALLATIONS**

(71) Applicant: **OJ ELECTRONICS A/S**, Sonderborg (DK)

(72) Inventors: **Stefan Ott Hansen**, Sonderborg (DK);
Martin Kahr Knudsen, Sydals (DK);
Smaranda Calin, Sonderborg (DK);
Morten Zimmer Hansen, Broager (DK);
Lars Kruse Bernbom, Nordborg (DK)

(73) Assignee: **OJ ELECTRONICS A/S**, Sonderborg (DK)

(**) Term: **14 Years**

(21) Appl. No.: **29/518,635**

(22) Filed: **Feb. 25, 2015**

(30) **Foreign Application Priority Data**

Aug. 29, 2014 (WO) DM/084297

(51) **LOC (10) Cl.** **13-03**

(52) **U.S. Cl.**
USPC **D13/173**

(58) **Field of Classification Search**
USPC D13/110, 118, 126, 154, 156, 58, 173,
D13/177
CPC H01H 9/02; H01H 9/287; H01H 83/04;
H02G 3/14; H02G 3/121
See application file for complete search history.

(56) **References Cited**

U.S. PATENT DOCUMENTS

5,913,439 A * 6/1999 Von Arx H02G 3/121
174/502
6,576,837 B1 * 6/2003 Pimentel H02G 3/14
174/58
6,737,576 B1 * 5/2004 Dinh H02G 3/088
174/480
D573,090 S * 7/2008 Savolainen D13/110

7,479,598 B1 * 1/2009 Shotey H02G 3/14
174/135
7,482,537 B1 * 1/2009 Shotey H02G 3/14
174/66
7,501,575 B2 * 3/2009 Jolly H02G 3/121
174/50
D605,119 S * 12/2009 Pape D13/123
D605,143 S * 12/2009 Von Arx D13/123
7,732,715 B2 * 6/2010 Paolucci H01R 24/76
174/481
RE41,661 E * 9/2010 Dinh H02G 3/088
174/480
D633,445 S * 3/2011 Christiansen D13/147
8,772,649 B1 * 7/2014 Gretz H02G 3/123
174/480
8,779,288 B1 * 7/2014 Baldwin H02G 3/081
174/53

(Continued)

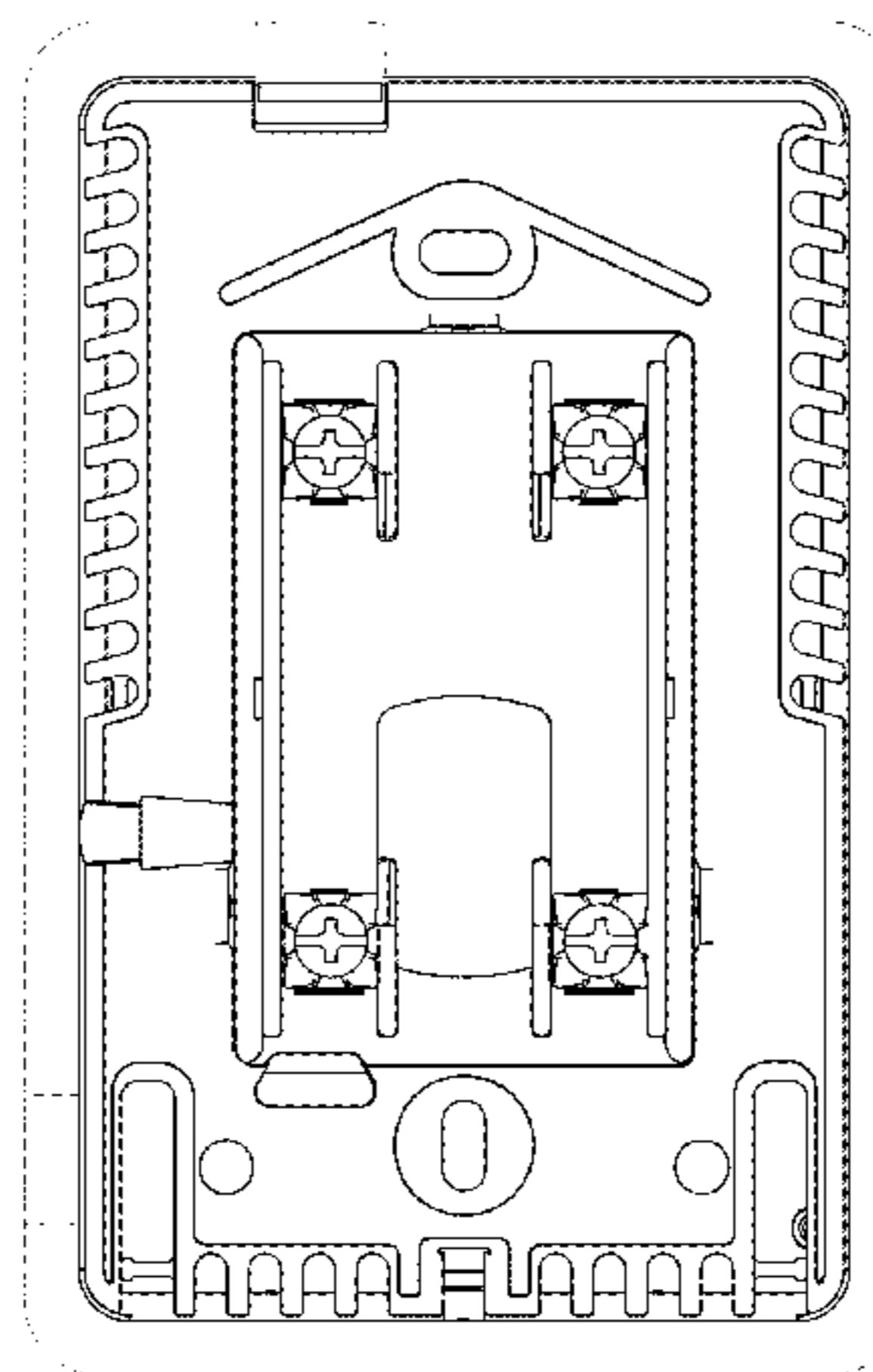
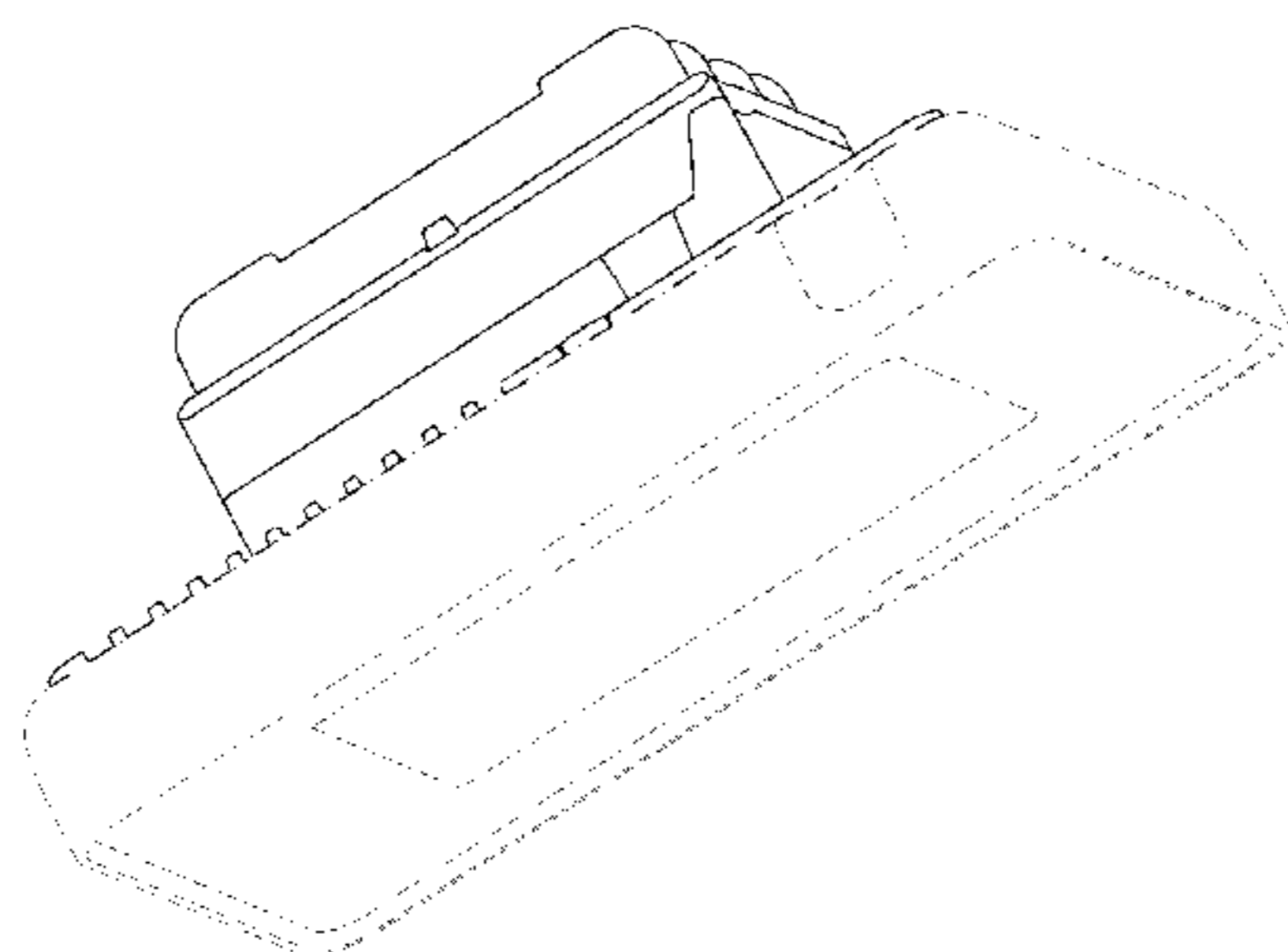
Primary Examiner — Selina Sikder
(74) *Attorney, Agent, or Firm* — Knobbe Martens
Olson & Bear LLP

(57) **CLAIM**
The ornamental design for a component for electrical installations, as shown and described.

DESCRIPTION

FIG. 1 is a front right perspective view of a first embodiment of a component for electrical installations showing our new design.
FIG. 2 is a front elevational view thereof.
FIG. 3 is a bottom plan view thereof.
FIG. 4 is a top plan view thereof.
FIG. 5 is a right side elevational view thereof.
FIG. 6 is a left side elevational view thereof.
FIG. 7 is a rear elevational view thereof.
FIG. 8 is a front right perspective view of a second embodiment of the component for electrical installations showing our new design.
FIG. 9 is a front elevational view thereof.
FIG. 10 is a bottom plan view thereof.
FIG. 11 is a top plan view thereof.
FIG. 12 is a right side elevational view thereof.
FIG. 13 is a left side elevational view thereof; and,
FIG. 14 is a rear elevational view thereof.
The broken lines in the figures depict environmental features which form no part of the claimed design.

1 Claim, 10 Drawing Sheets



(56)

References Cited

U.S. PATENT DOCUMENTS

8,816,200	B1 *	8/2014	Baldwin	H02G 1/00	2012/0257316	A1 *	10/2012	Kamor	H01H 83/04
					174/50						361/50
2004/0125519	A1 *	7/2004	Germain	H01H 83/04	2014/0139345	A1 *	5/2014	Shotey	H01H 83/04
					361/42						340/650
2007/0068940	A1 *	3/2007	Gates	H02G 3/14	2014/0347768	A1 *	11/2014	Batko	G01R 31/025
					220/3.94						361/42
2007/0086127	A1 *	4/2007	Huang	H01H 83/04	2014/0362559	A1 *	12/2014	Chien	H02G 3/14
					361/42						362/95
2008/0277134	A1 *	11/2008	Jolly	H02G 3/12	2015/0200533	A1 *	7/2015	Simonin	H02H 3/05
					174/67						335/17
2009/0057303	A1 *	3/2009	Oddsens	H02G 3/14	2015/0287314	A1 *	10/2015	Croft	H02H 3/04
					220/3.5						340/650
2011/0108319	A1 *	5/2011	Gauthier	H02G 3/121	2016/0020597	A1 *	1/2016	Bonasia	H01H 83/04
					174/520						361/45

* cited by examiner

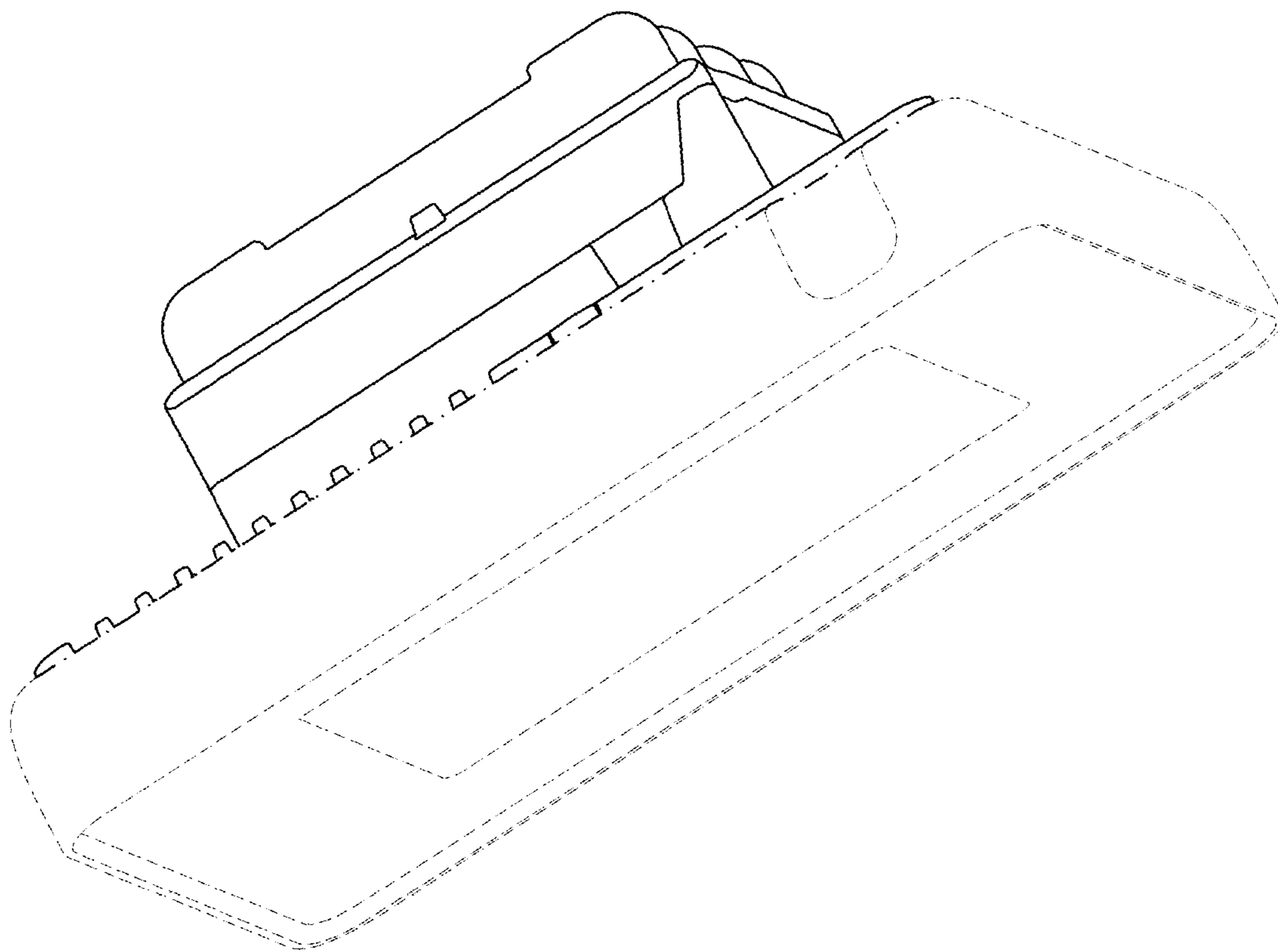


FIG. 1

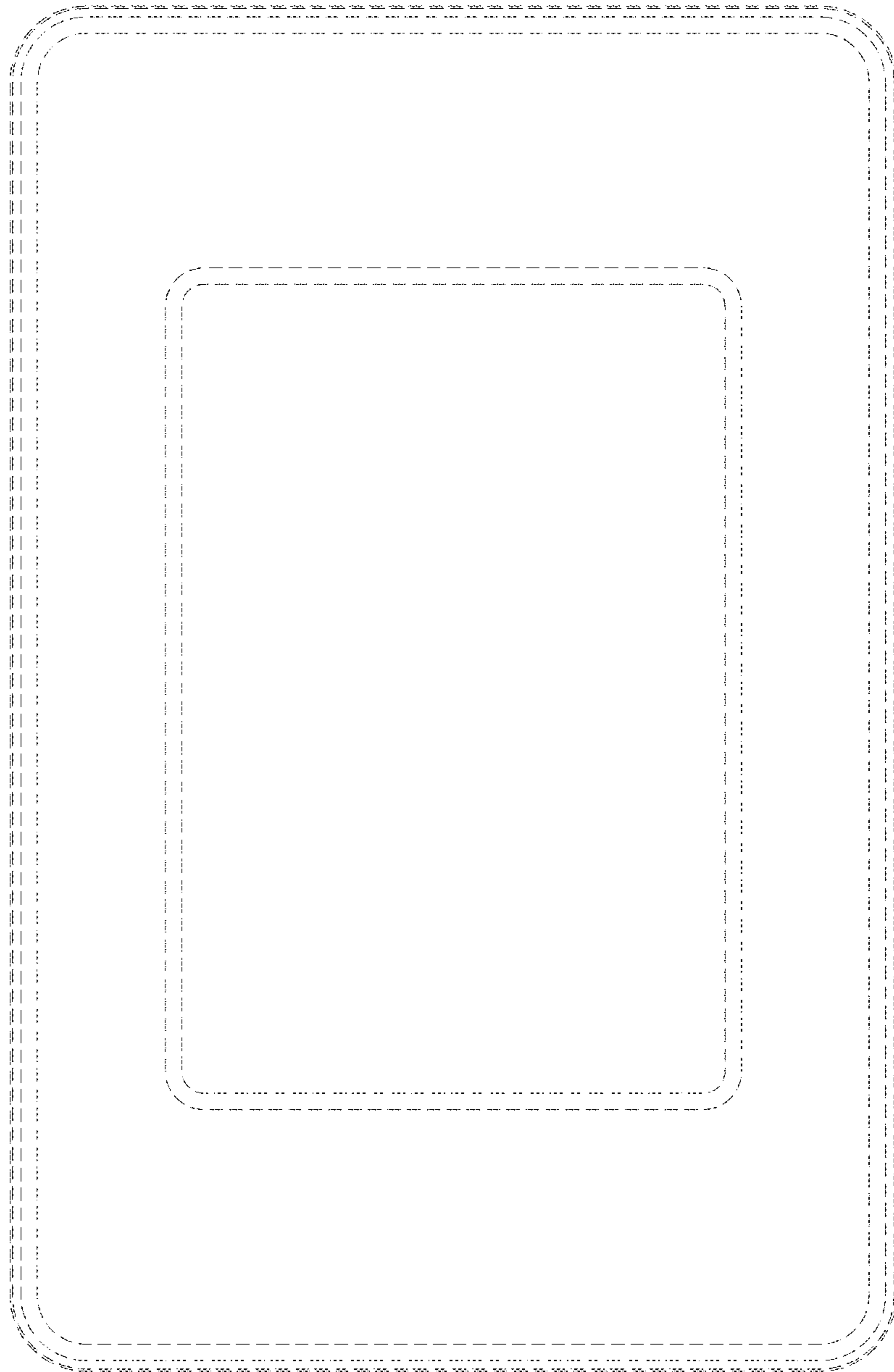


FIG. 2

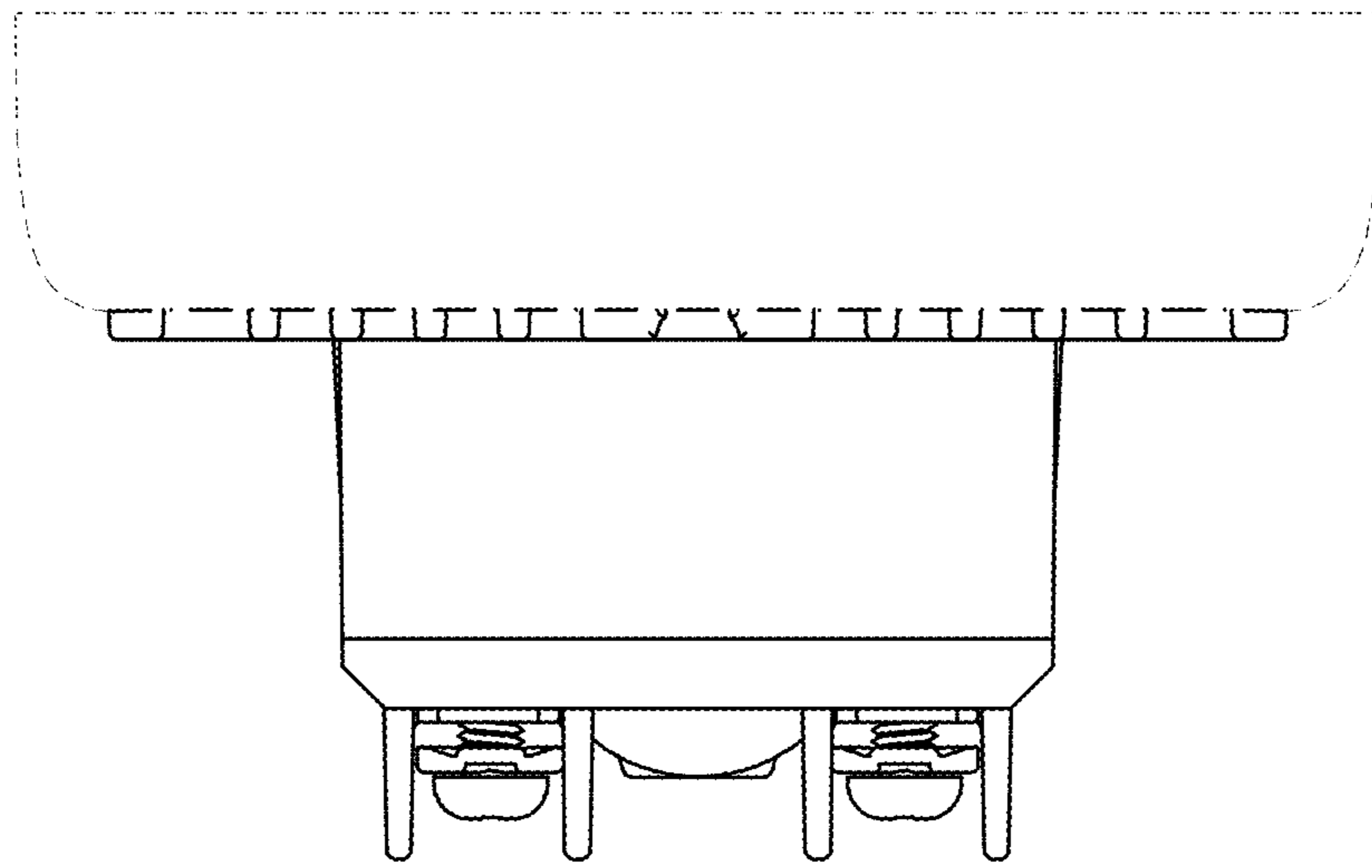


FIG. 3

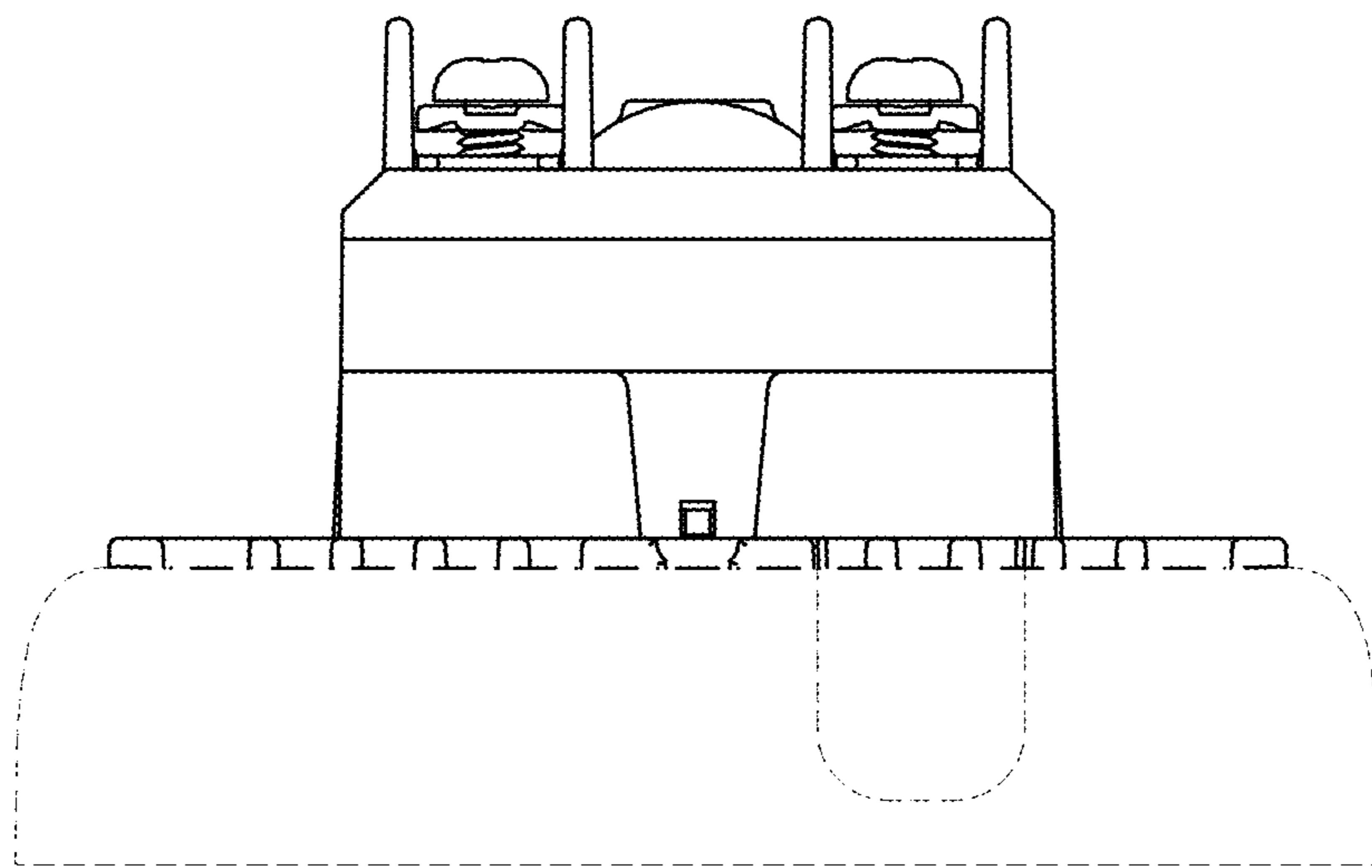


FIG. 4

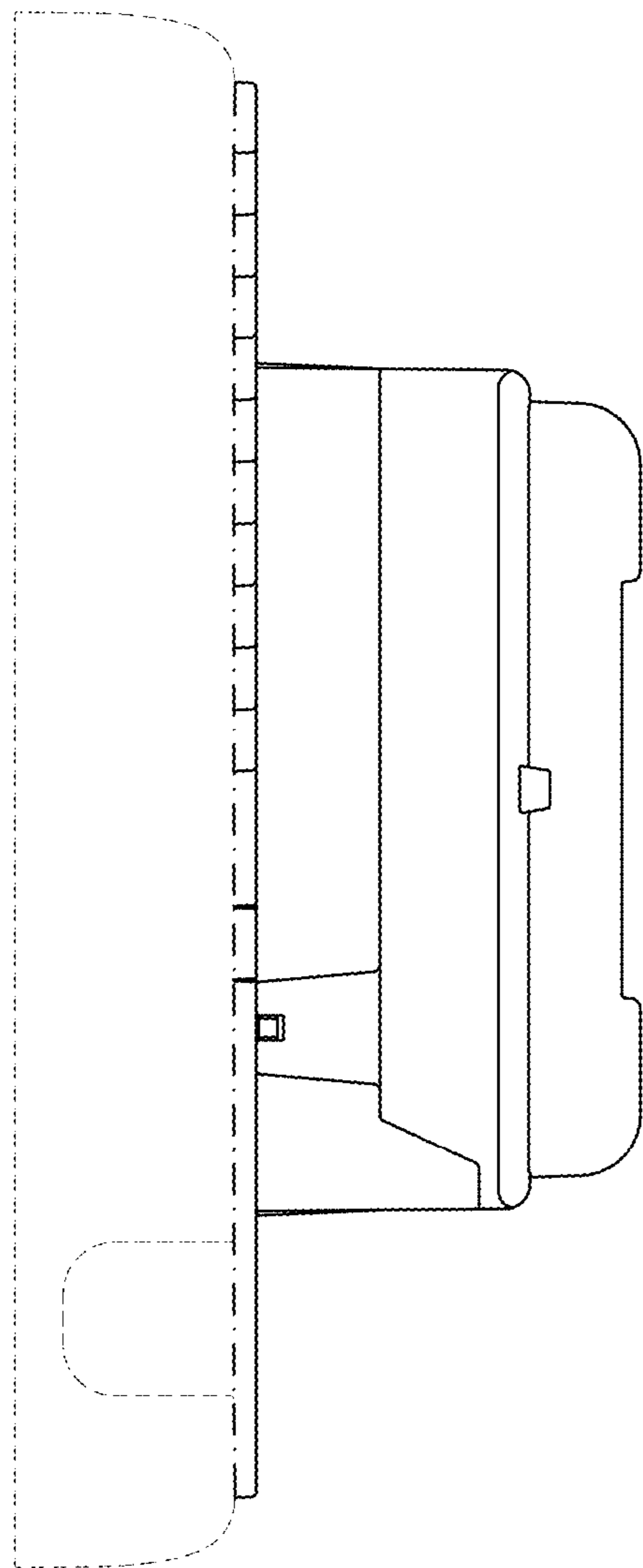


FIG. 5

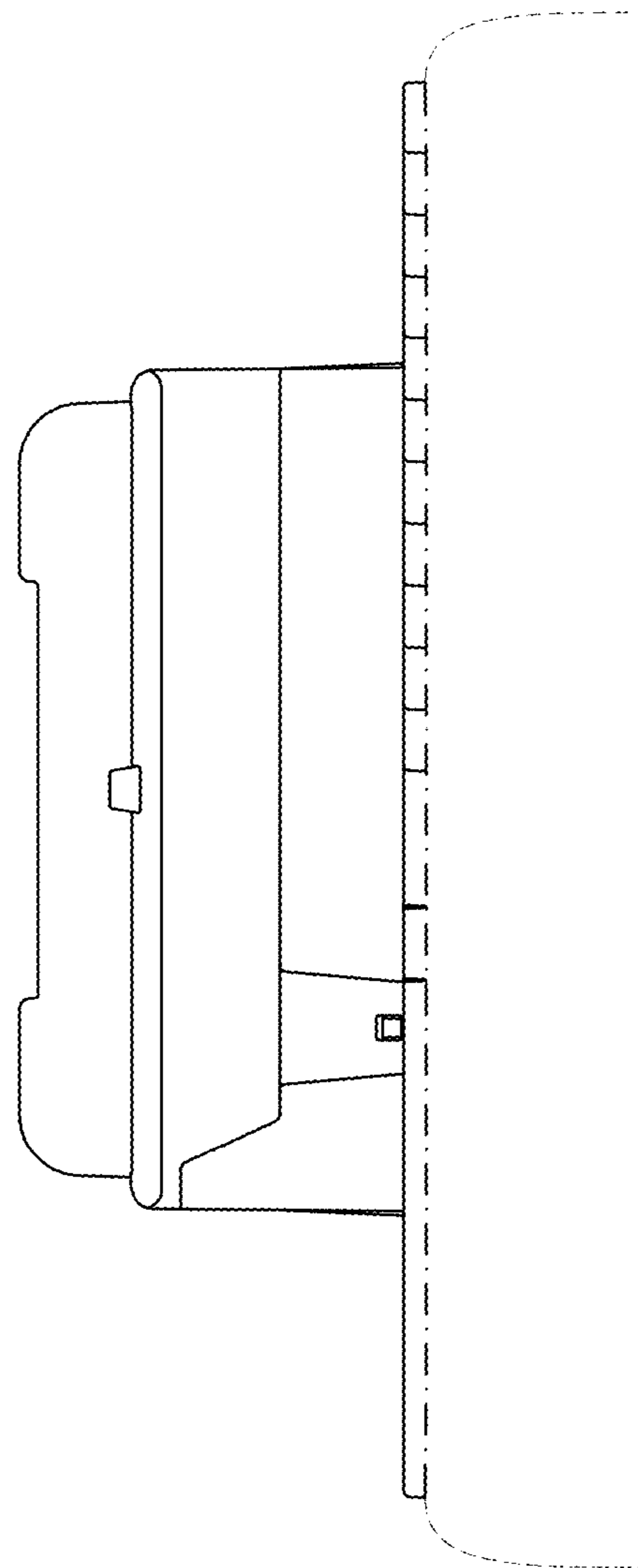


FIG. 6

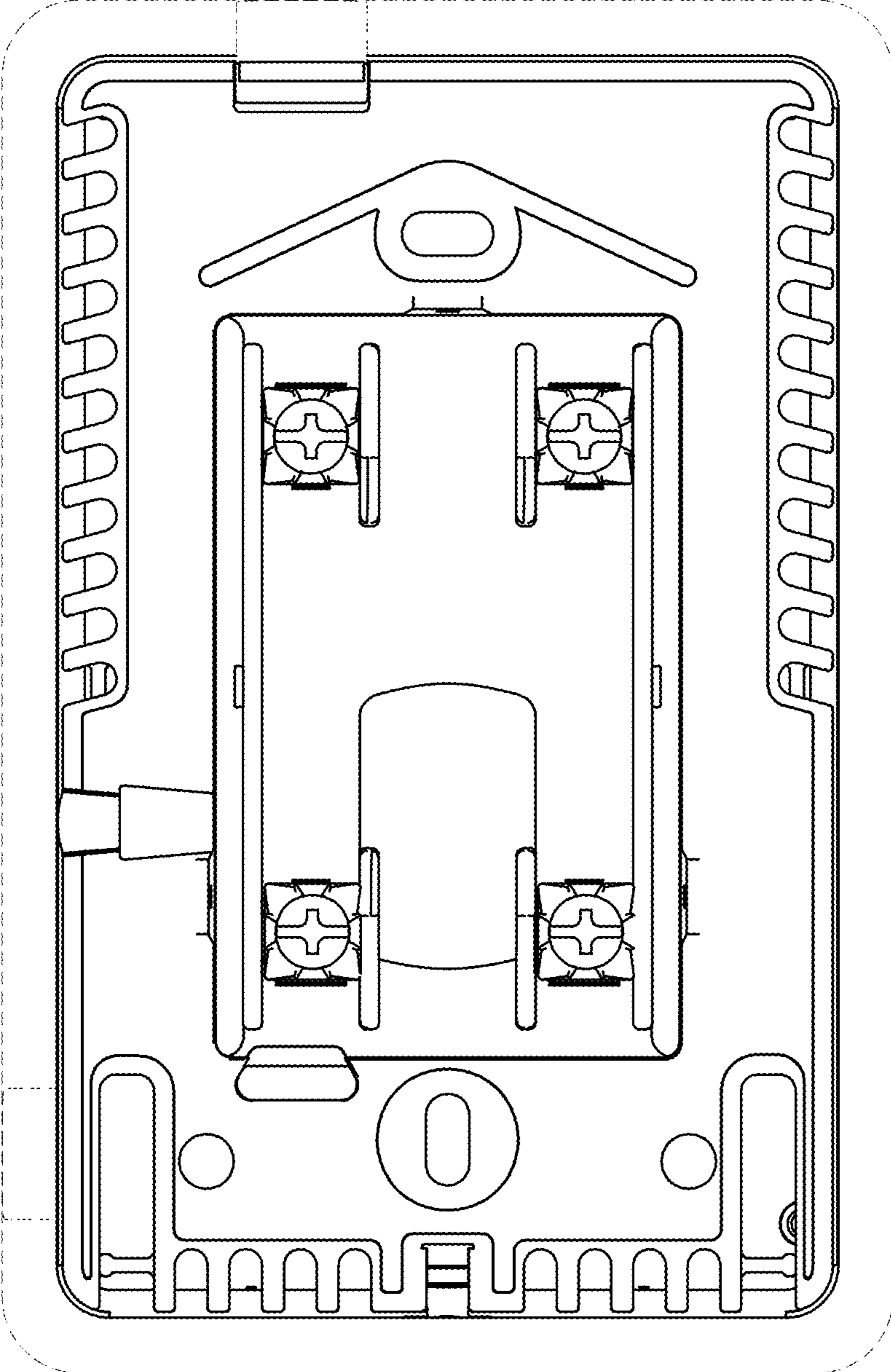


FIG. 7

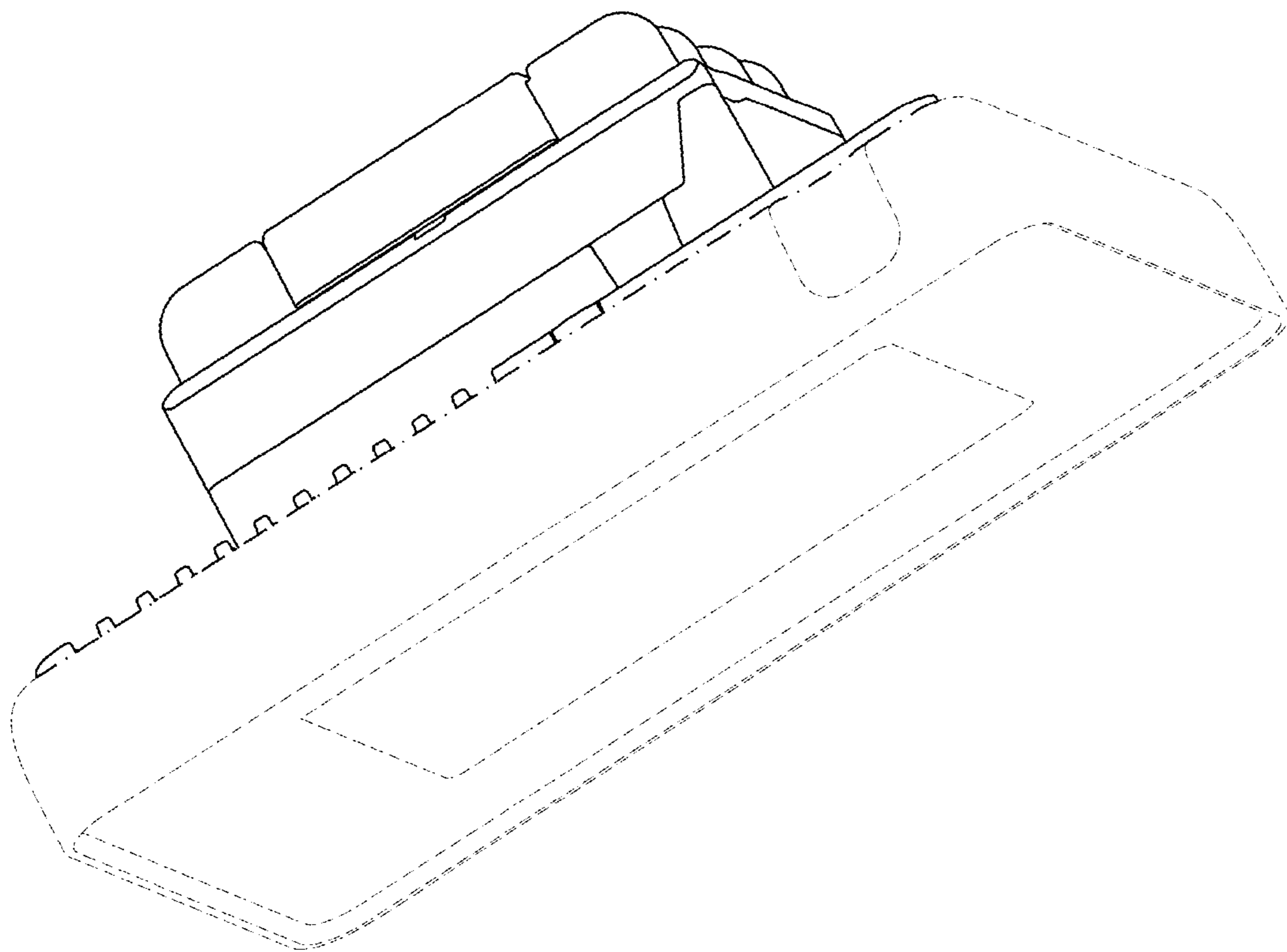


FIG. 8

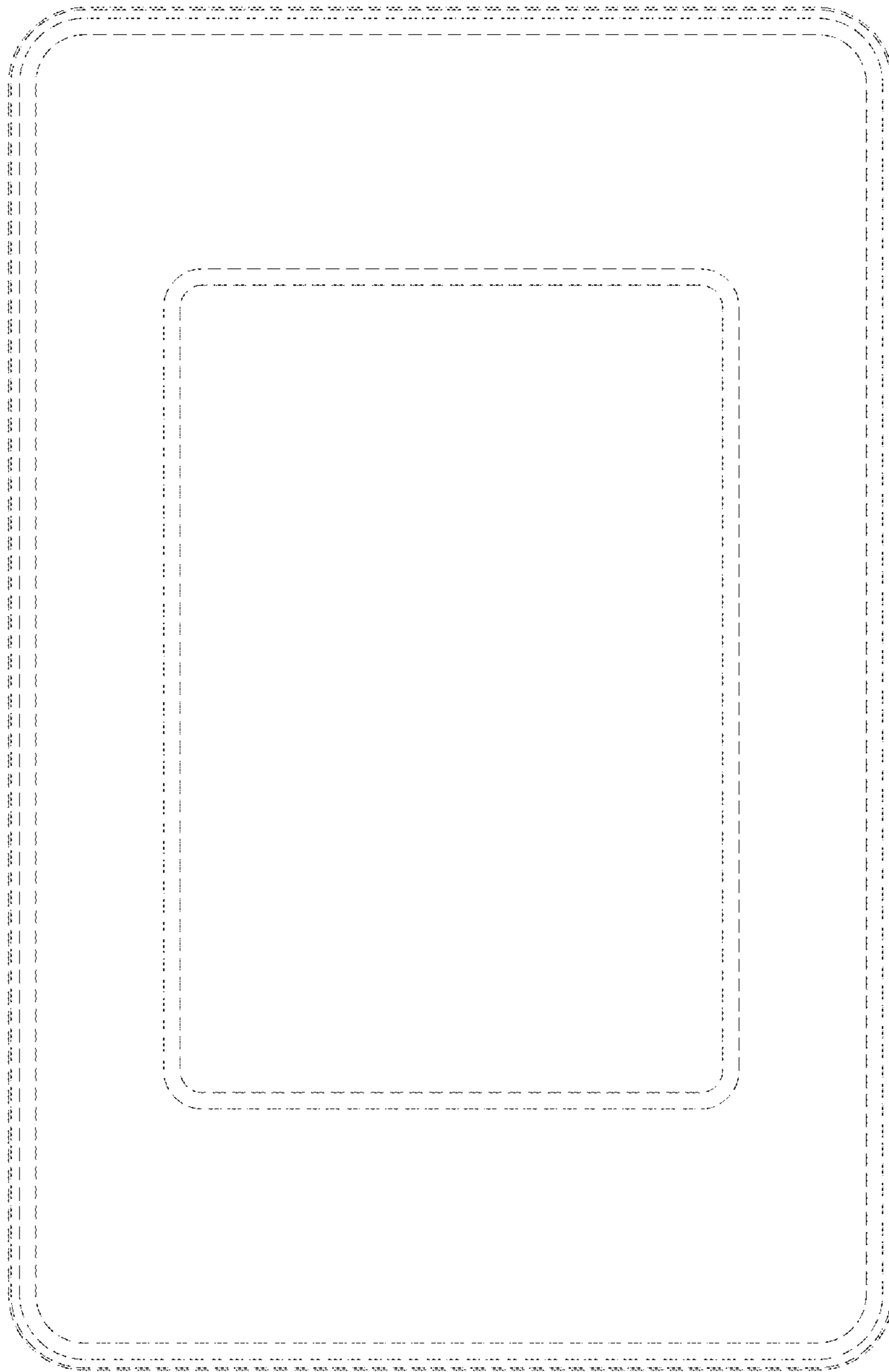


FIG. 9

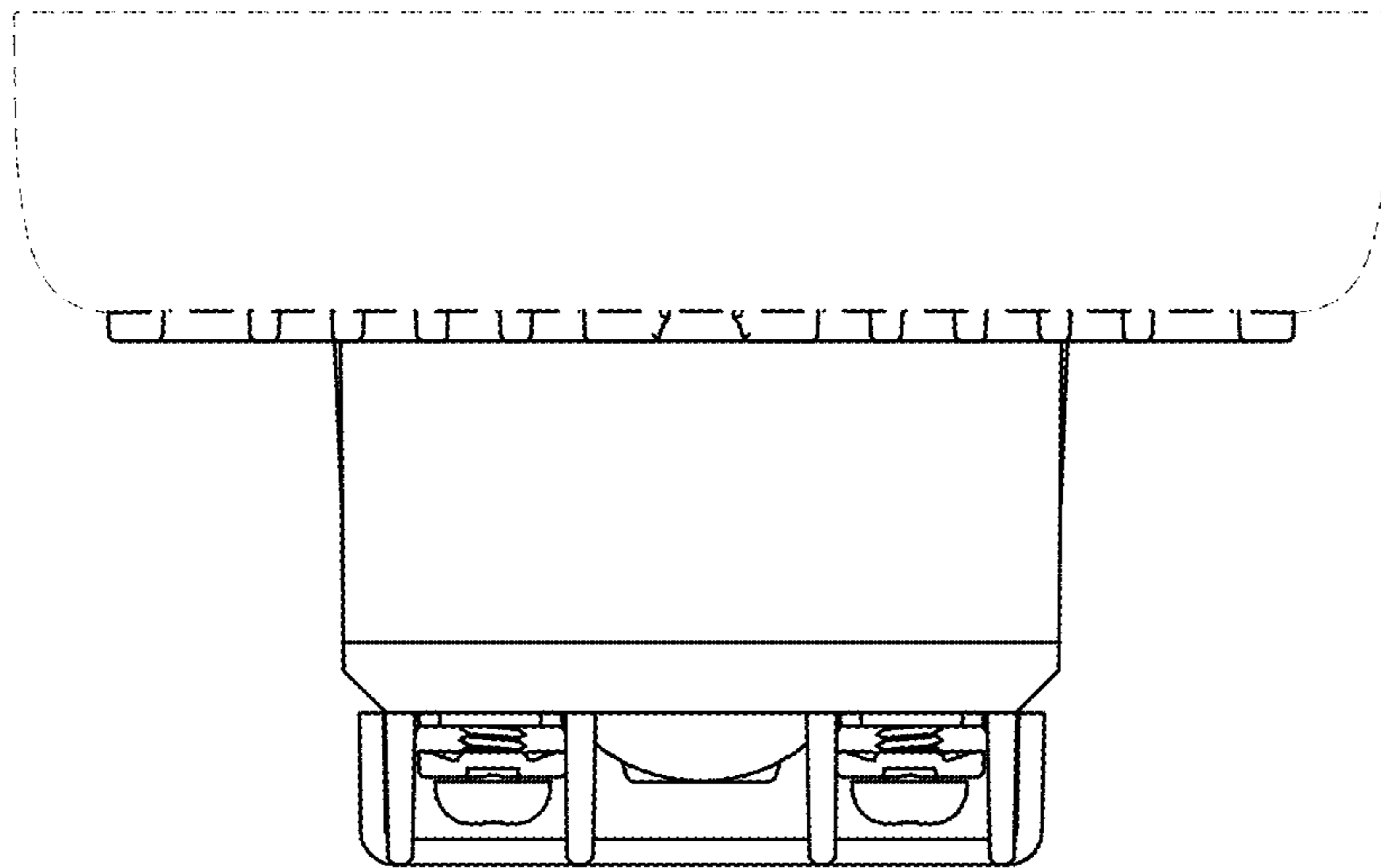


FIG. 10

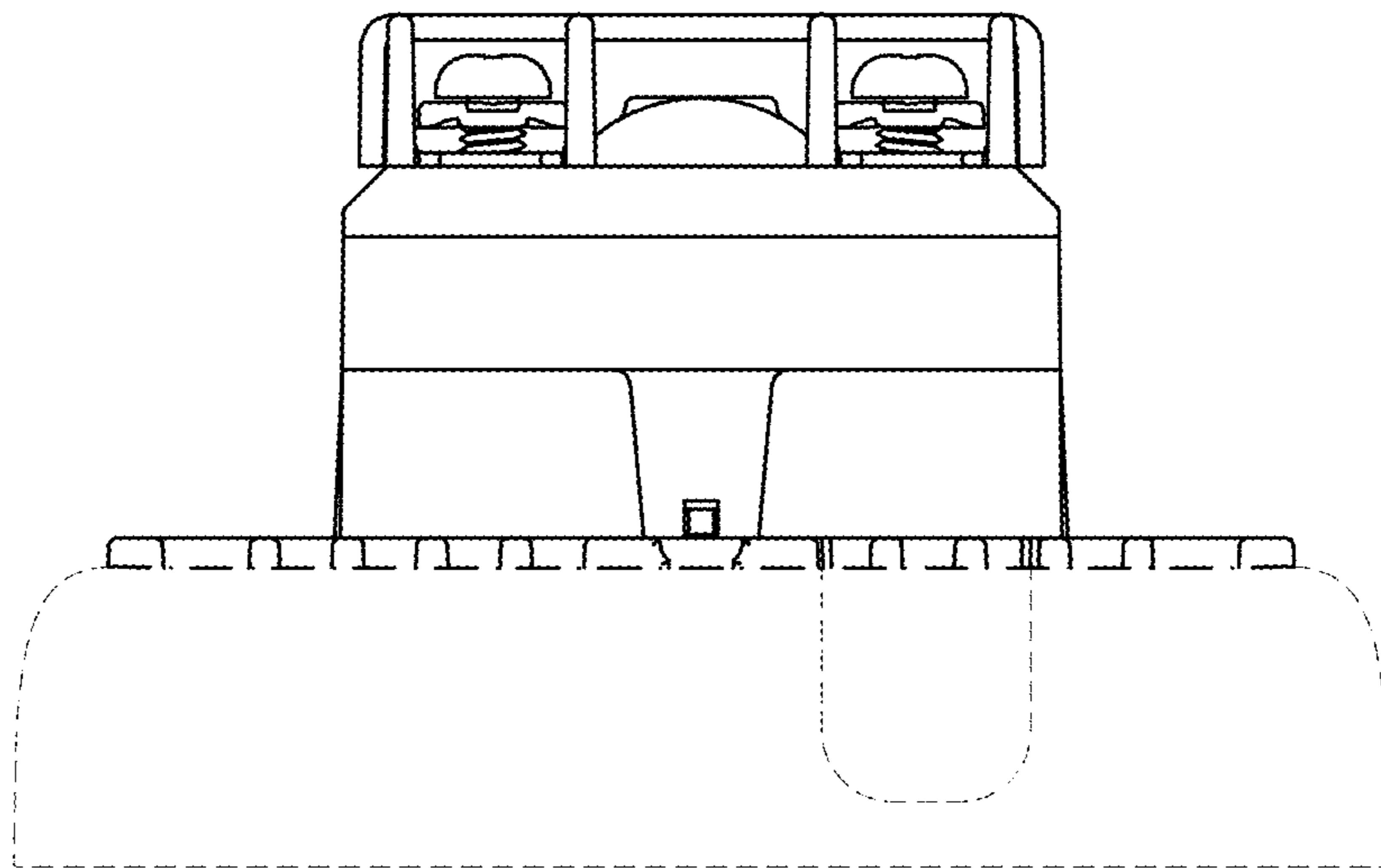


FIG. 11

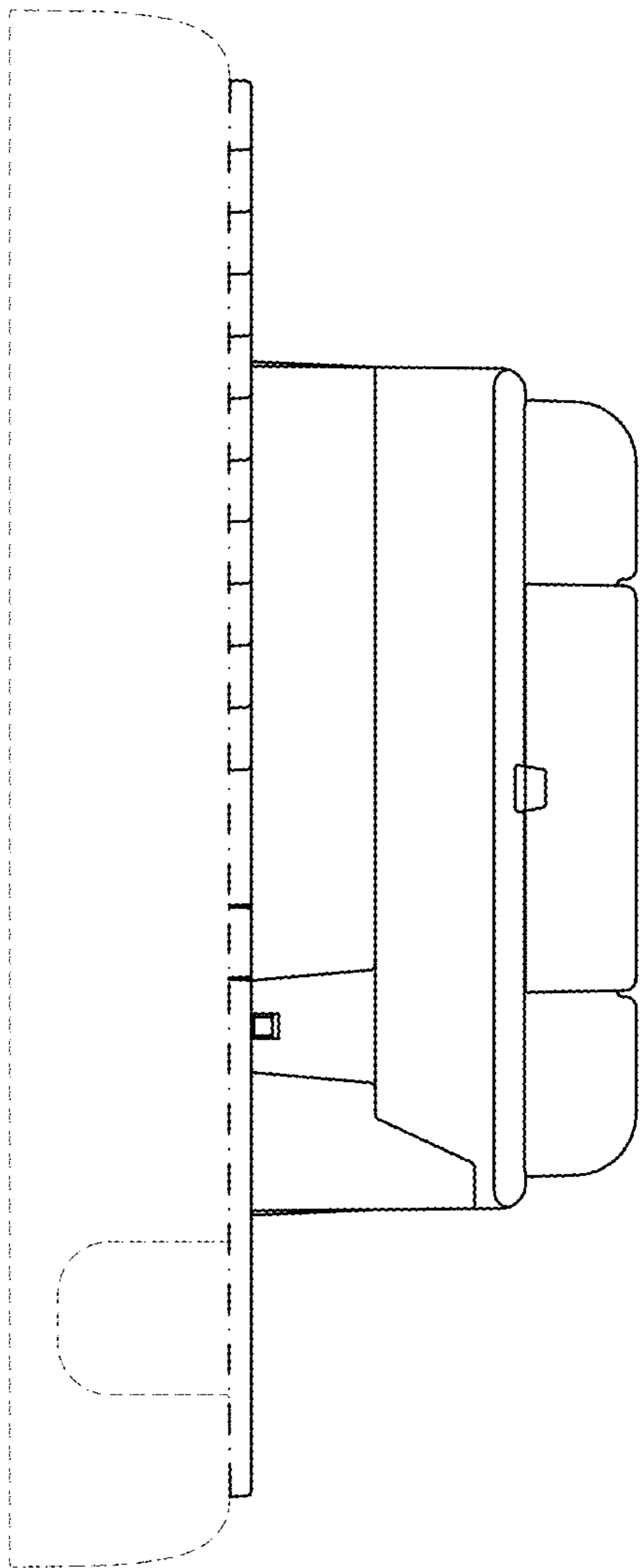


FIG. 12

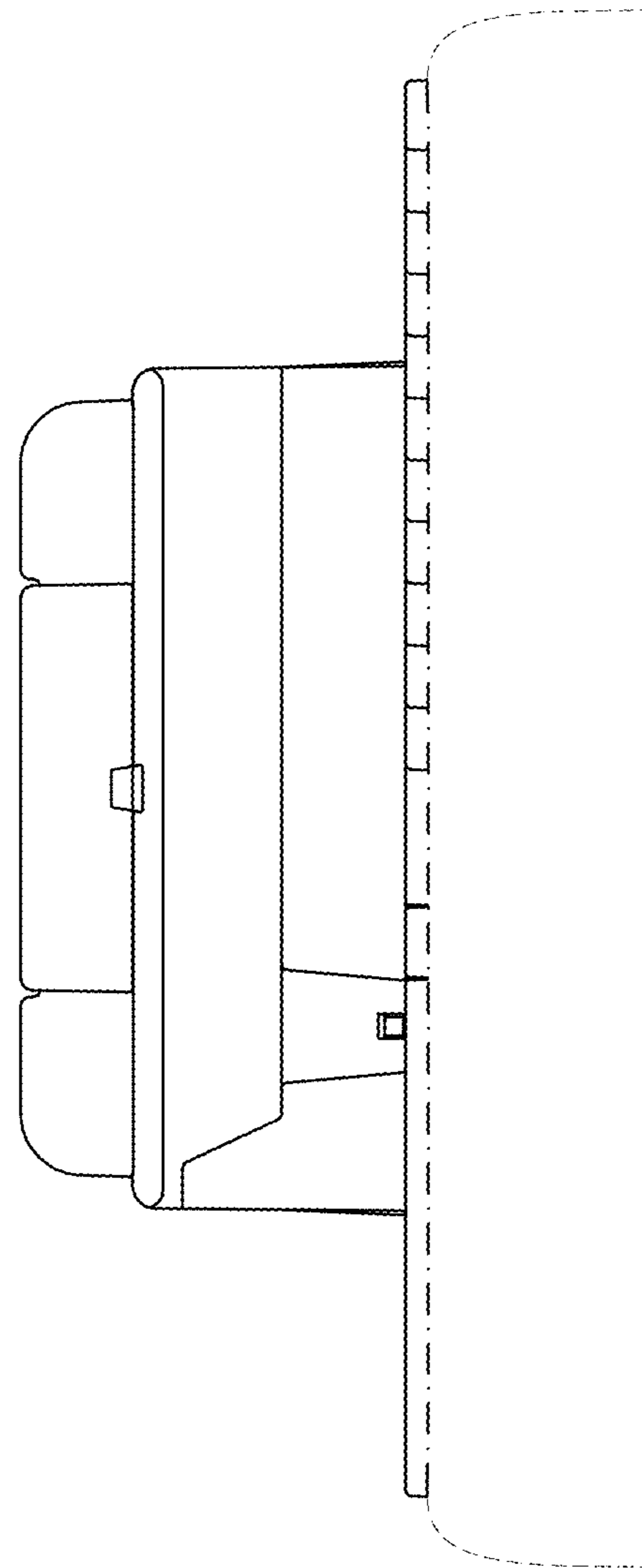


FIG. 13

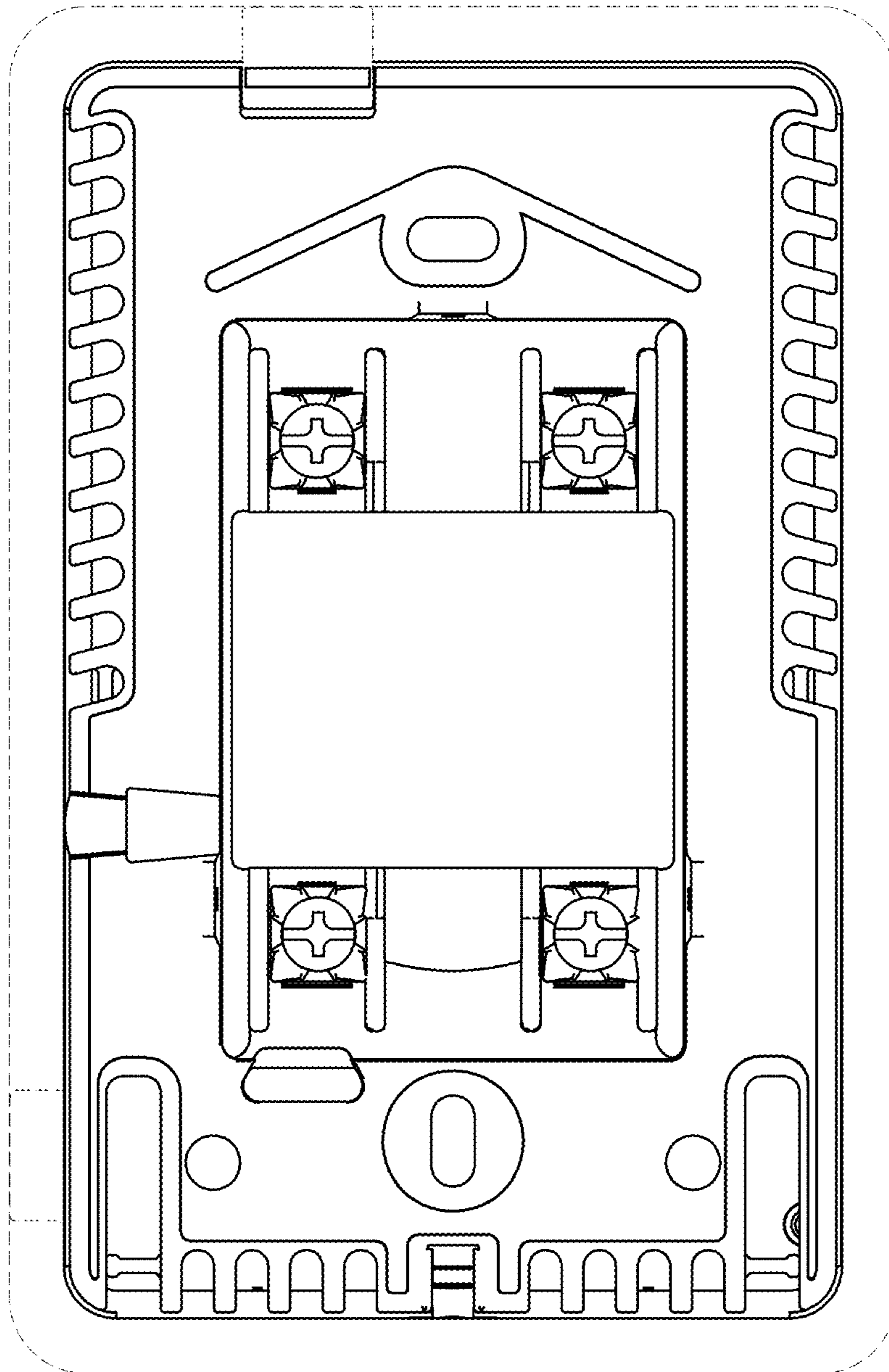


FIG. 14