



US00D768089S

(12) **United States Design Patent**
Liu

(10) **Patent No.:** **US D768,089 S**

(45) **Date of Patent:** **** Oct. 4, 2016**

(54) **TERMINAL OF ELECTRIC CONNECTOR**

(71) Applicant: **TRIPLE WIN PRECISION TECHNOLOGY CO., LTD.**, Taoyuan, Taoyuan County (TW)

(72) Inventor: **Chih Pin Liu**, Taoyuan (TW)

(73) Assignee: **TRIPLE WIN PRECISION TECHNOLOGY CO., LTD.**, Taoyuan (TW)

(**) Term: **14 Years**

(21) Appl. No.: **29/510,267**

(22) Filed: **Nov. 26, 2014**

(51) **LOC (10) Cl.** **13-03**

(52) **U.S. Cl.**
USPC **D13/154**

(58) **Field of Classification Search**
USPC D13/147, 154, 184, 199
CPC H01R 13/6453; H01R 13/646; H01R 13/6582; H01R 13/6585; H01R 13/6587; H01R 13/659; H01R 13/6592; H01R 13/6594; H01R 13/6595; H01R 13/6658
See application file for complete search history.

(56) **References Cited**

U.S. PATENT DOCUMENTS

7,389,576 B2 * 6/2008 Na G01R 33/05
205/119
D578,075 S * 10/2008 Yang D13/154

D668,620 S * 10/2012 Convert D13/147
9,281,590 B1 * 3/2016 Liu H01R 12/707
2016/0036175 A1 * 2/2016 Yen H01R 24/60
439/676

* cited by examiner

Primary Examiner — Daniel Bui

(74) *Attorney, Agent, or Firm* — Rabin & Berdo, P.C.

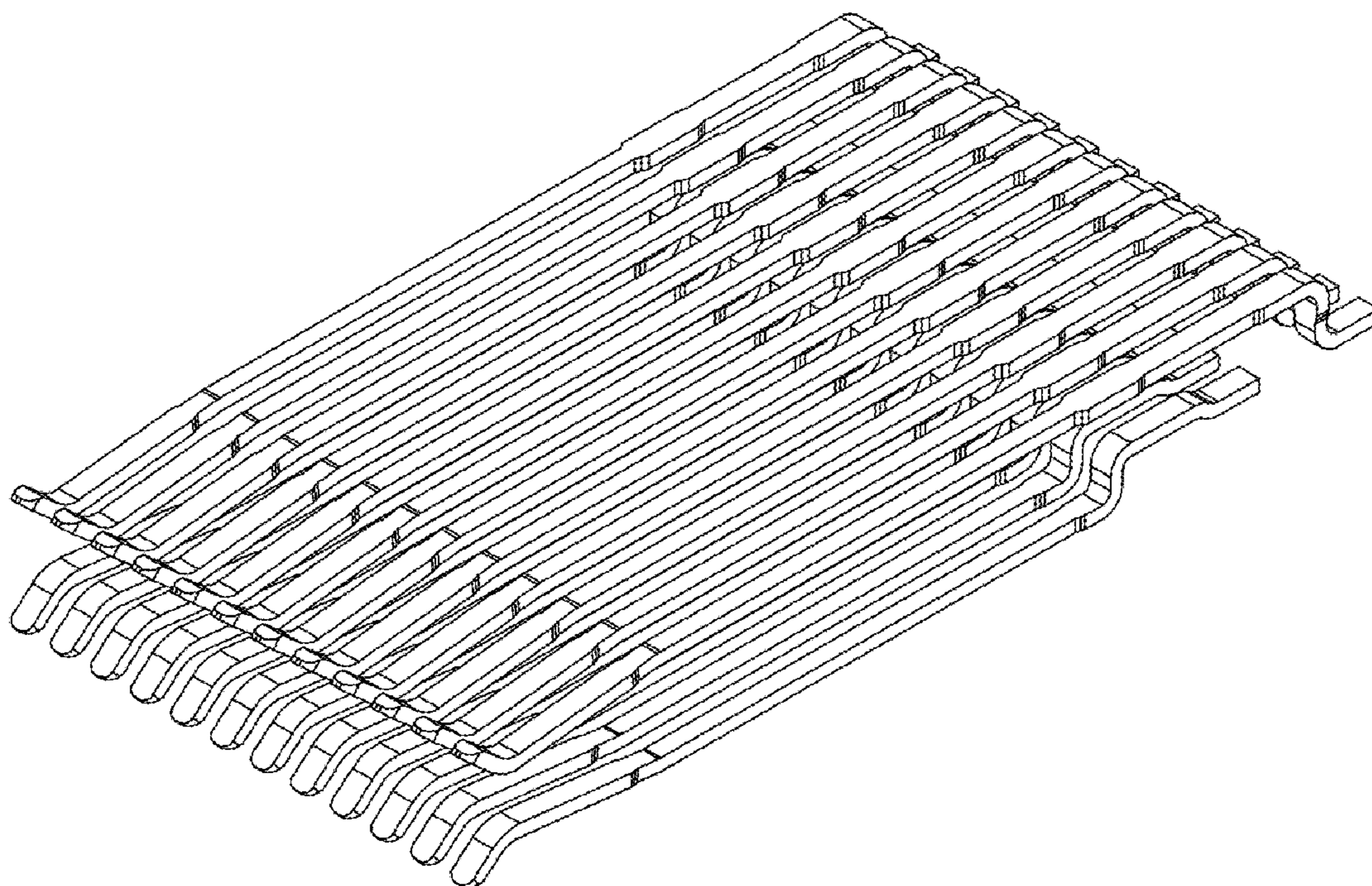
(57) **CLAIM**

The ornamental design for a terminal of electric connector, as shown and described.

DESCRIPTION

FIG. 1 is a perspective of a terminal of electric connector showing my new design, which consists of twelve pairs of pins;
FIG. 2 is a front elevational view thereof;
FIG. 3 is a rear elevational view thereof;
FIG. 4 is a left side elevational view thereof;
FIG. 5 is a right side elevational view thereof;
FIG. 6 is a top plan view thereof;
FIG. 7 is a bottom plan view thereof;
FIG. 8 is a perspective view of a pair of the pins showing my new design;
FIG. 9 is a front elevational view thereof;
FIG. 10 is a rear elevational view thereof;
FIG. 11 is a left side elevational view thereof;
FIG. 12 is a right side elevational view thereof;
FIG. 13 is a top plan view thereof; and,
FIG. 14 is a bottom plan view thereof.

1 Claim, 14 Drawing Sheets



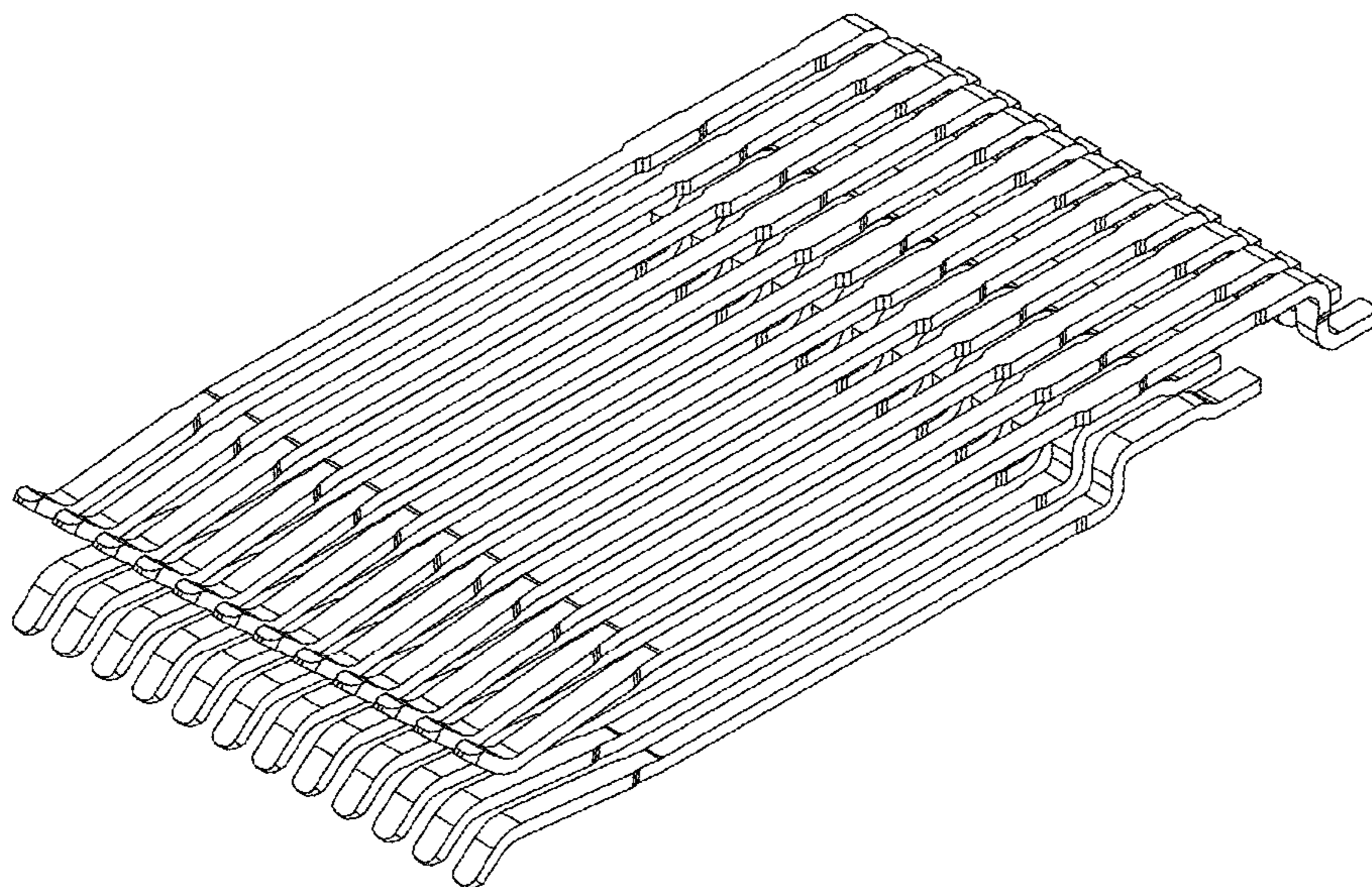


Fig. 1

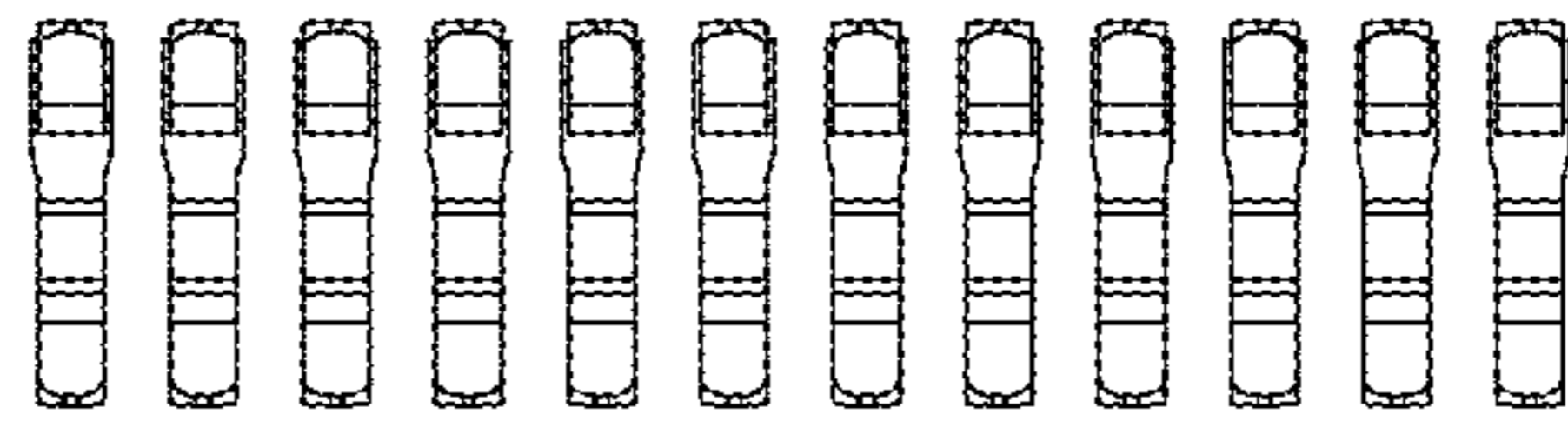


Fig. 2

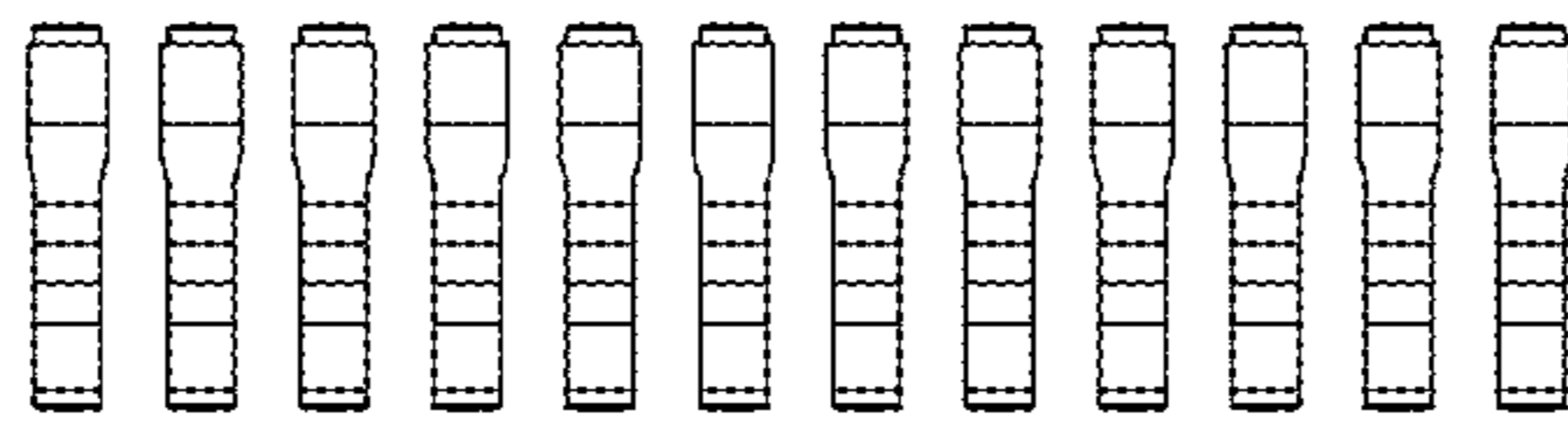


Fig. 3

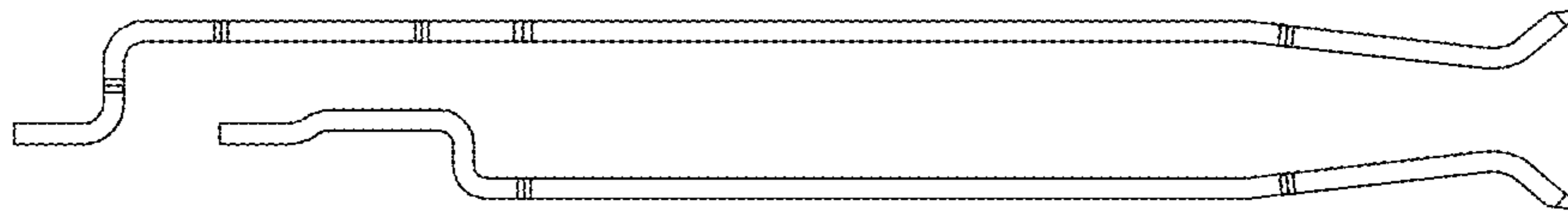


Fig. 4

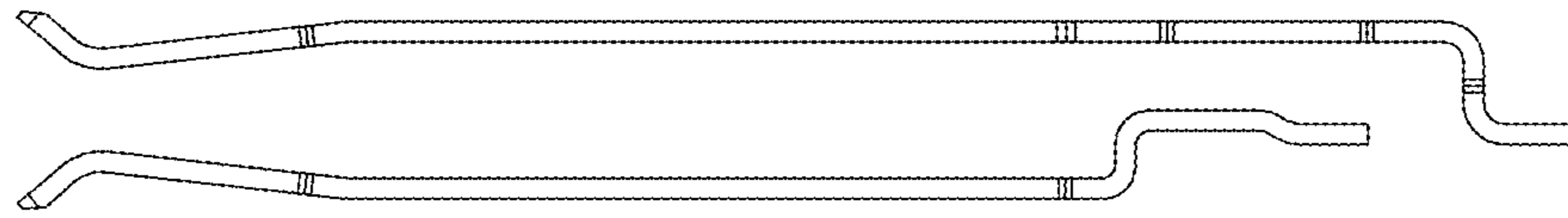


Fig. 5

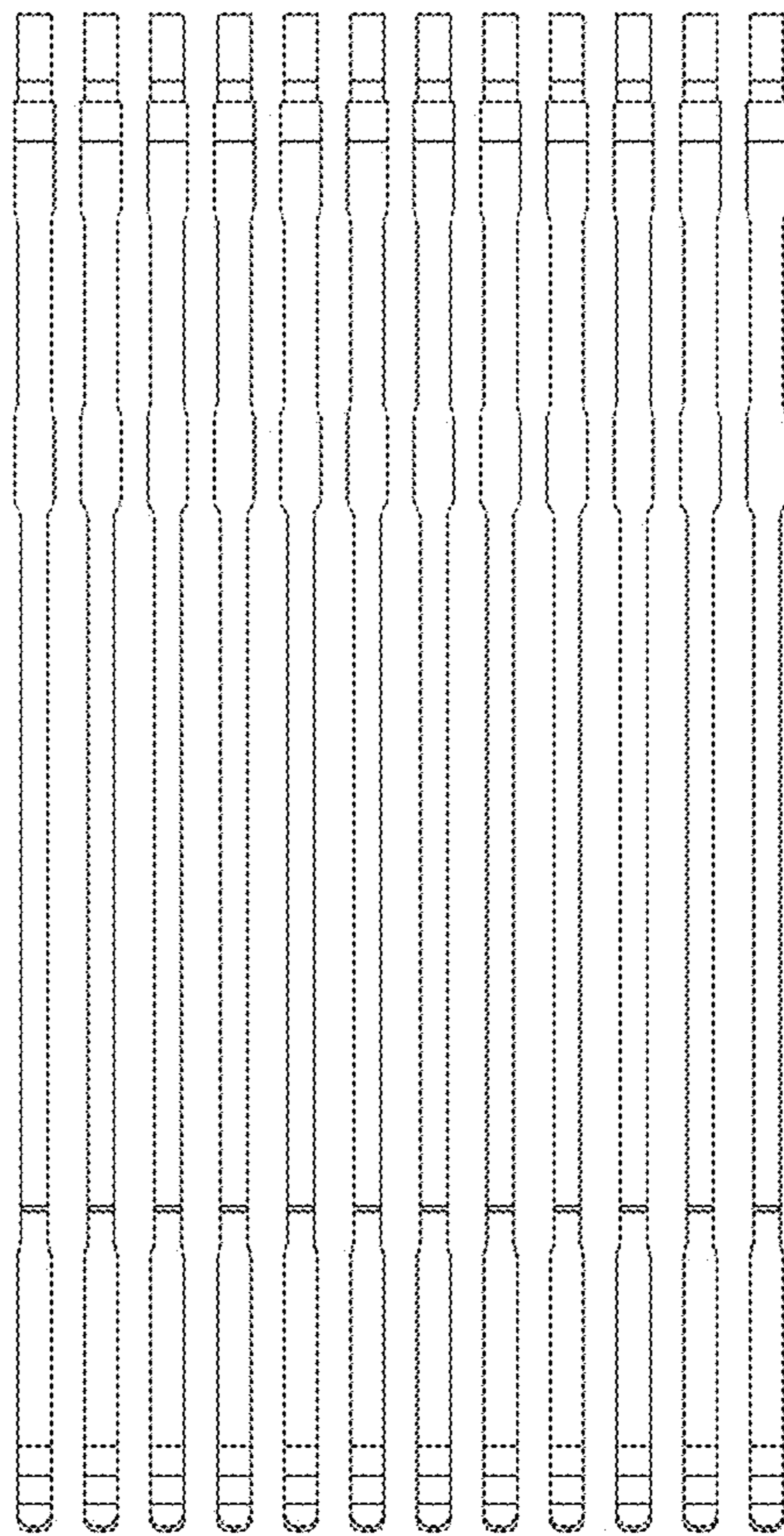


Fig. 6

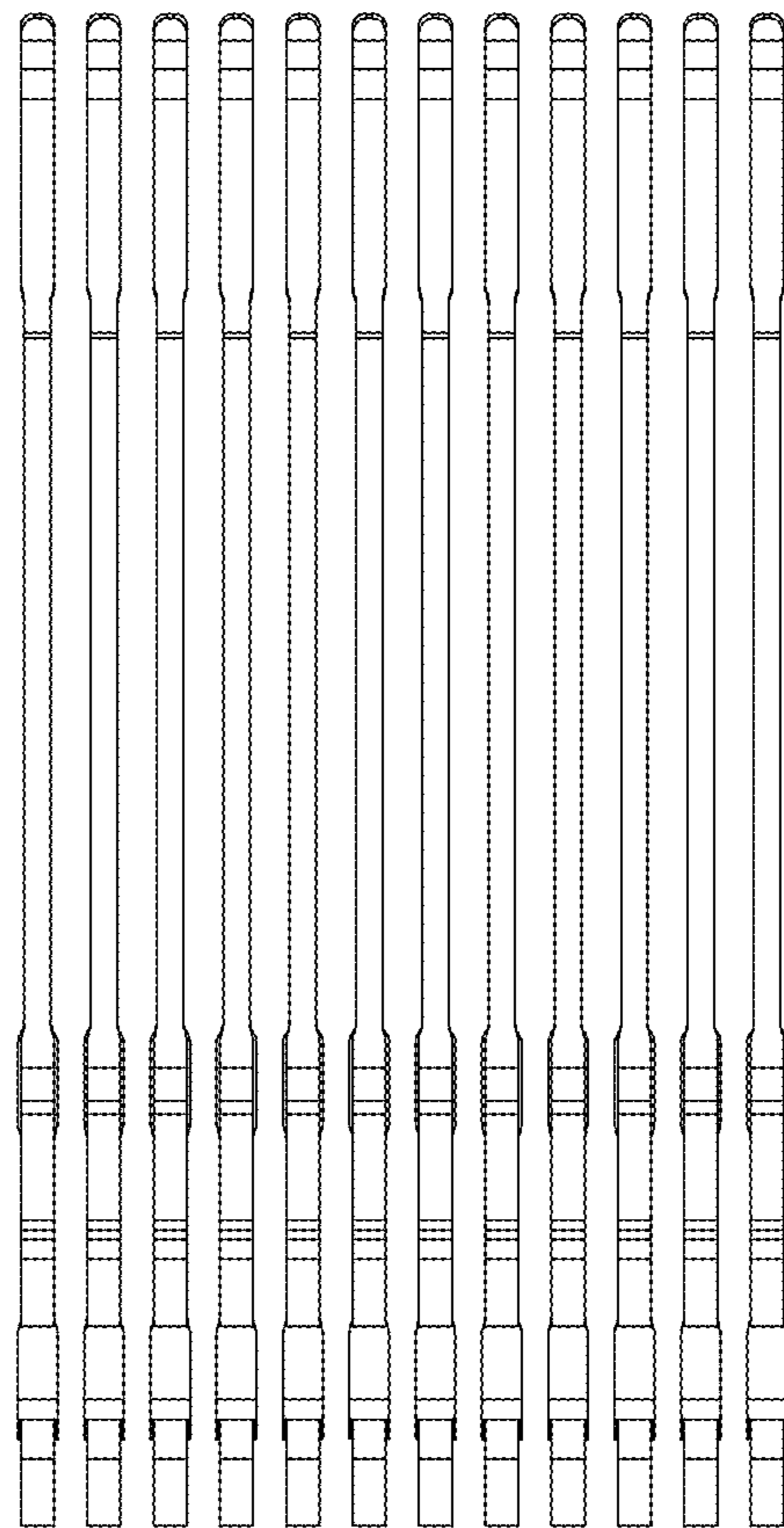


Fig. 7

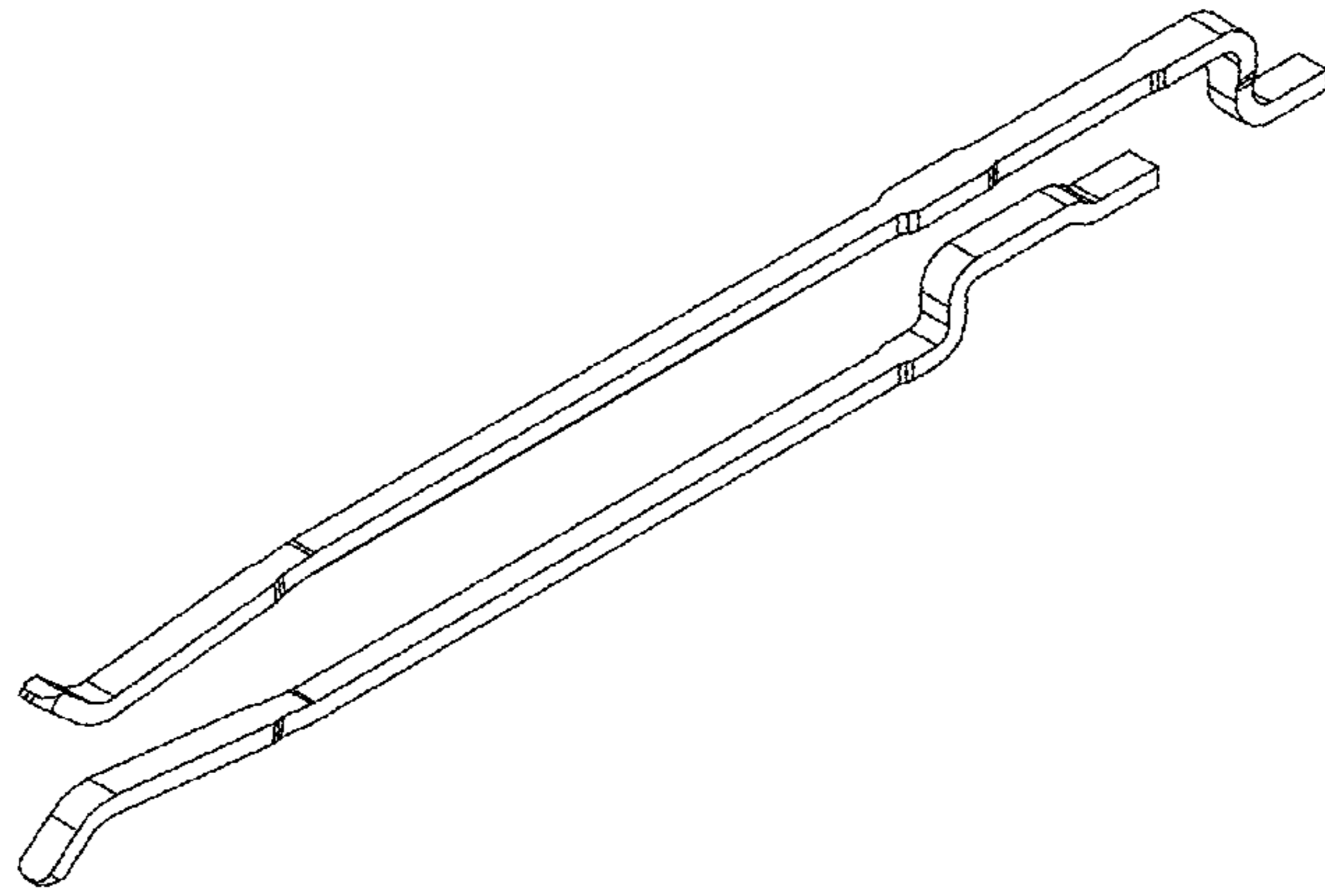


Fig. 8



Fig. 9



Fig. 10

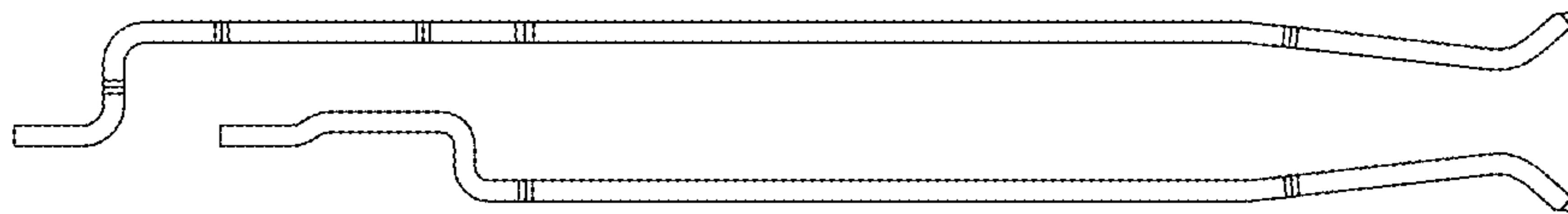


Fig. 11

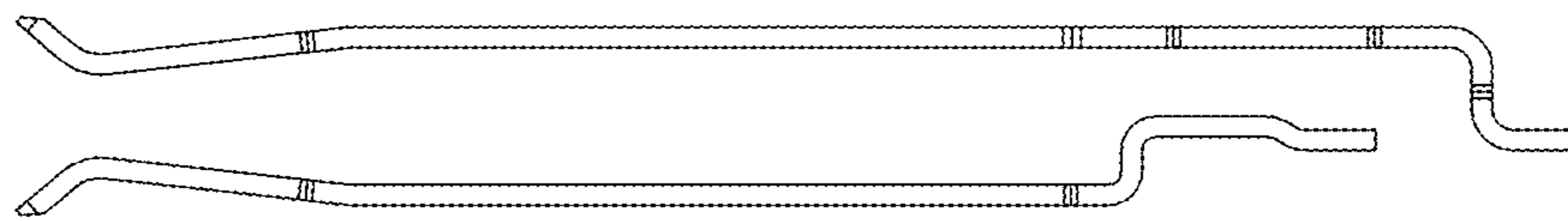


Fig. 12

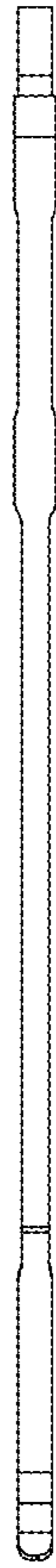


Fig. 13

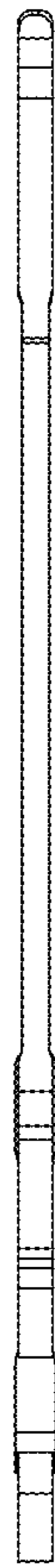


Fig. 14