



US00D768085S

(12) **United States Design Patent**  
**Yokoyama**

(10) **Patent No.:** **US D768,085 S**

(45) **Date of Patent:** **\*\* Oct. 4, 2016**

(54) **ELECTRICAL CONNECTOR**

(71) Applicant: **Japan Aviation Electronics Industry, Limited**, Tokyo (JP)

(72) Inventor: **Yohei Yokoyama**, Tokyo (JP)

(73) Assignee: **JAPAN AVIATION ELECTRONICS INDUSTRY, LIMITED**, Tokyo (JP)

(\*\*) Term: **15 Years**

(21) Appl. No.: **29/555,067**

(22) Filed: **Feb. 18, 2016**

(30) **Foreign Application Priority Data**

Sep. 3, 2015 (JP) ..... 2015-019519

(51) **LOC (10) Cl.** ..... **13-03**

(52) **U.S. Cl.**  
USPC ..... **D13/147**

(58) **Field of Classification Search**  
USPC ..... D13/146, 147, 154, 184, 199; D14/432, D14/433, 435.1  
CPC .. H01R 24/60; H01R 24/70; H01R 13/5205; H01R 13/5219; H01R 13/642; H01R 13/6471; H01R 13/6581; H01R 13/6582; H01R 13/6285; H01R 13/6591; H01R 13/6596

See application file for complete search history.

(56) **References Cited**

**U.S. PATENT DOCUMENTS**

D516,519 S \* 3/2006 Nishio ..... D13/147  
D517,491 S \* 3/2006 Nishio ..... D13/147  
D517,993 S \* 3/2006 Su ..... D13/147  
D518,790 S \* 4/2006 Nishio ..... D13/147  
D732,478 S \* 6/2015 Kang ..... D13/147

D744,428 S \* 12/2015 Rodriguez ..... D13/147  
2015/0364871 A1\* 12/2015 Lin ..... H01R 13/6581  
439/607.58  
2016/0134056 A1\* 5/2016 Chen ..... H01R 13/642  
439/217  
2016/0156114 A1\* 6/2016 Kao ..... H05K 1/111  
439/83

\* cited by examiner

*Primary Examiner* — Daniel Bui

(74) *Attorney, Agent, or Firm* — Manabu Kanesaka

(57) **CLAIM**

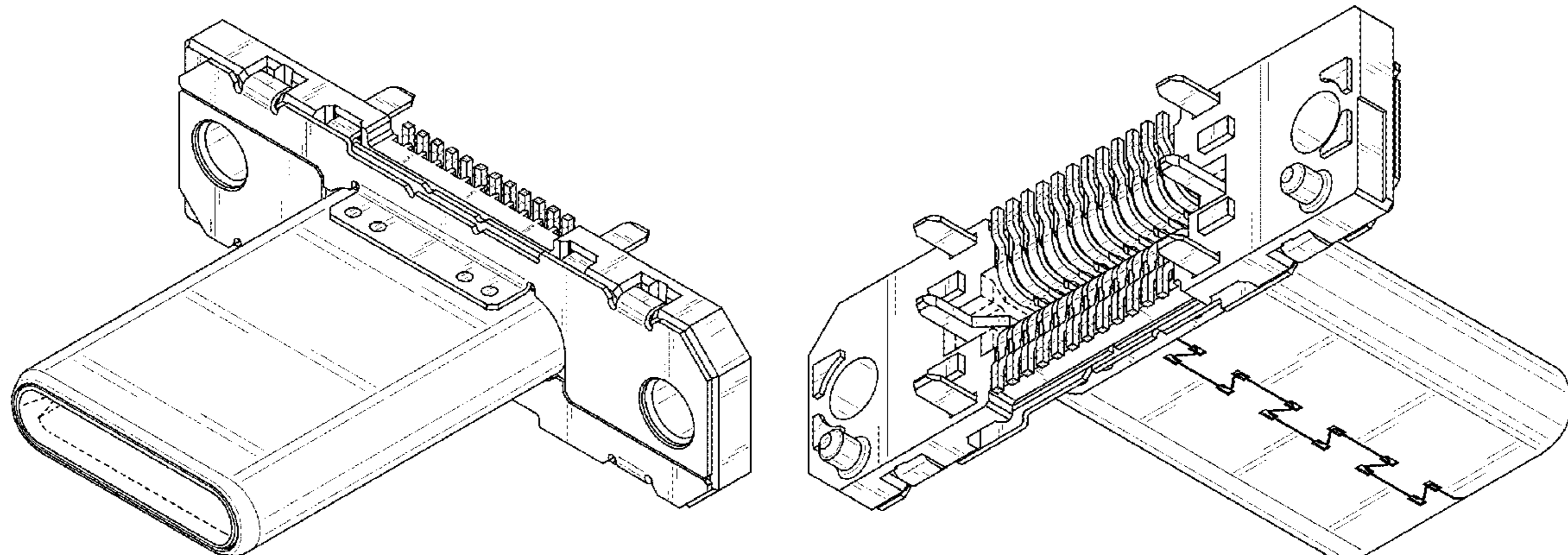
The ornamental design for an electrical connector, as shown and described.

**DESCRIPTION**

FIG. 1 is a front elevational view of an electrical connector showing my new design;  
FIG. 2 is a rear elevational view thereof;  
FIG. 3 is a right side elevational view thereof;  
FIG. 4 is a left side elevational view thereof;  
FIG. 5 is a top plan view thereof;  
FIG. 6 is a bottom plan view thereof;  
FIG. 7 is a perspective view showing a front, top and right side thereof;  
FIG. 8 is a perspective view showing a rear, bottom and left side thereof;  
FIG. 9 is a perspective view showing a front, right side and bottom thereof; and,  
FIG. 10 is a perspective view showing a rear, left side and top thereof.

The broken lines are shown for environmental purposes only and depict portions of the electrical connector that form no part of claimed design.

**1 Claim, 8 Drawing Sheets**



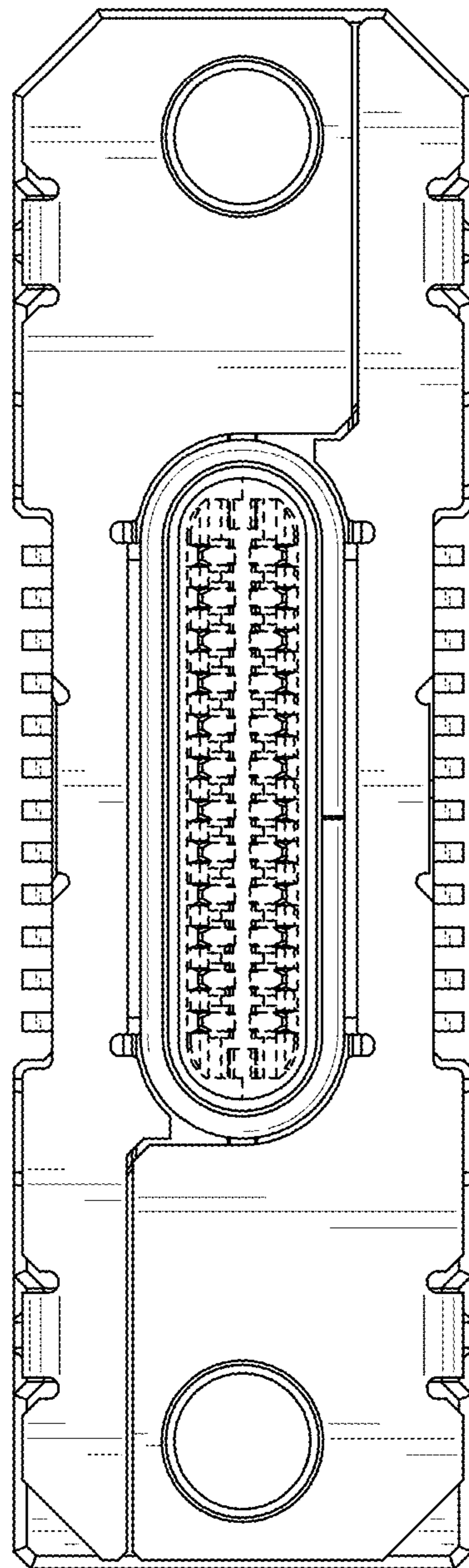


FIG. 1

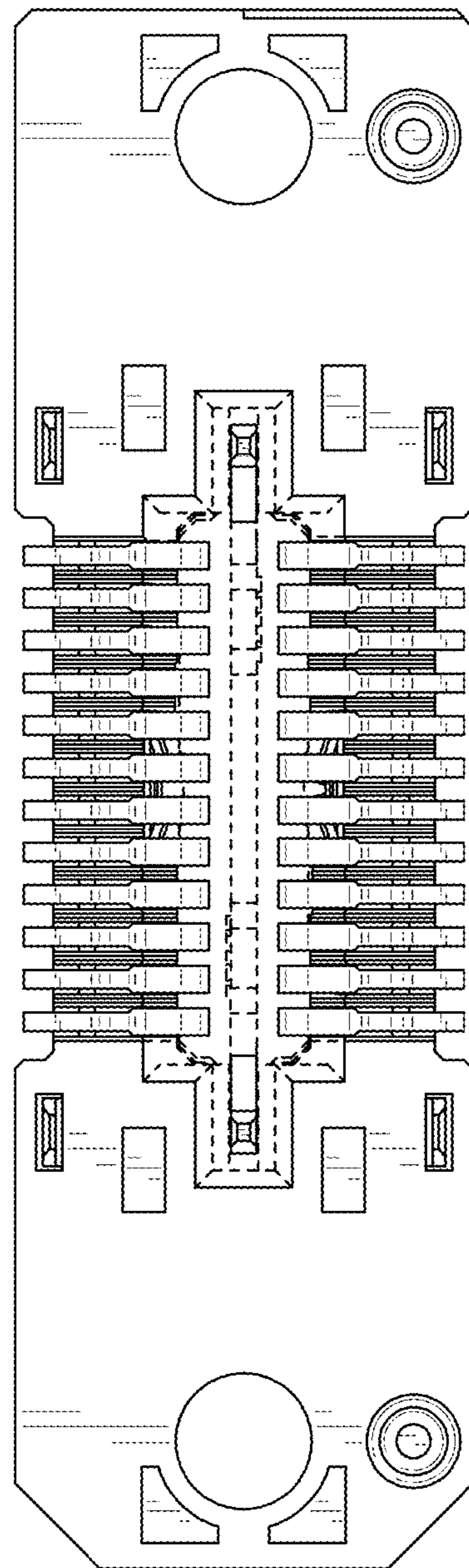


FIG. 2



FIG. 3

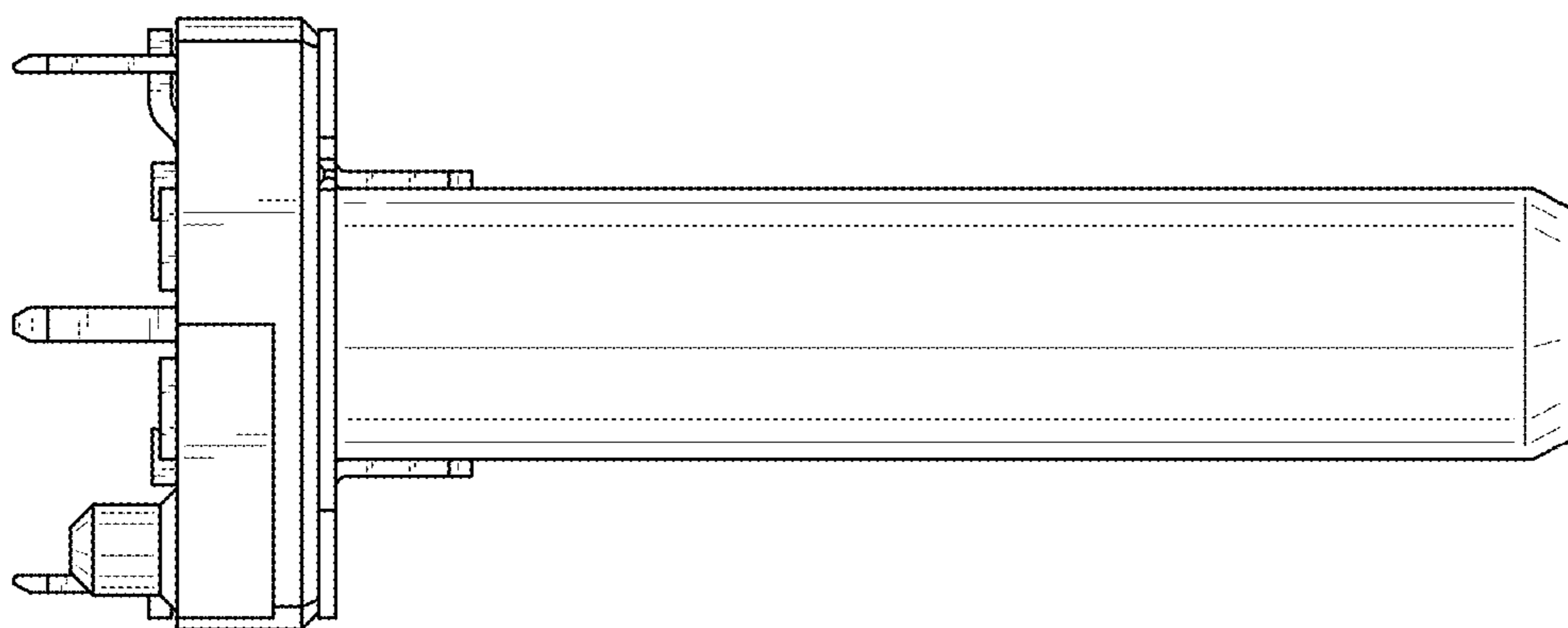


FIG. 4

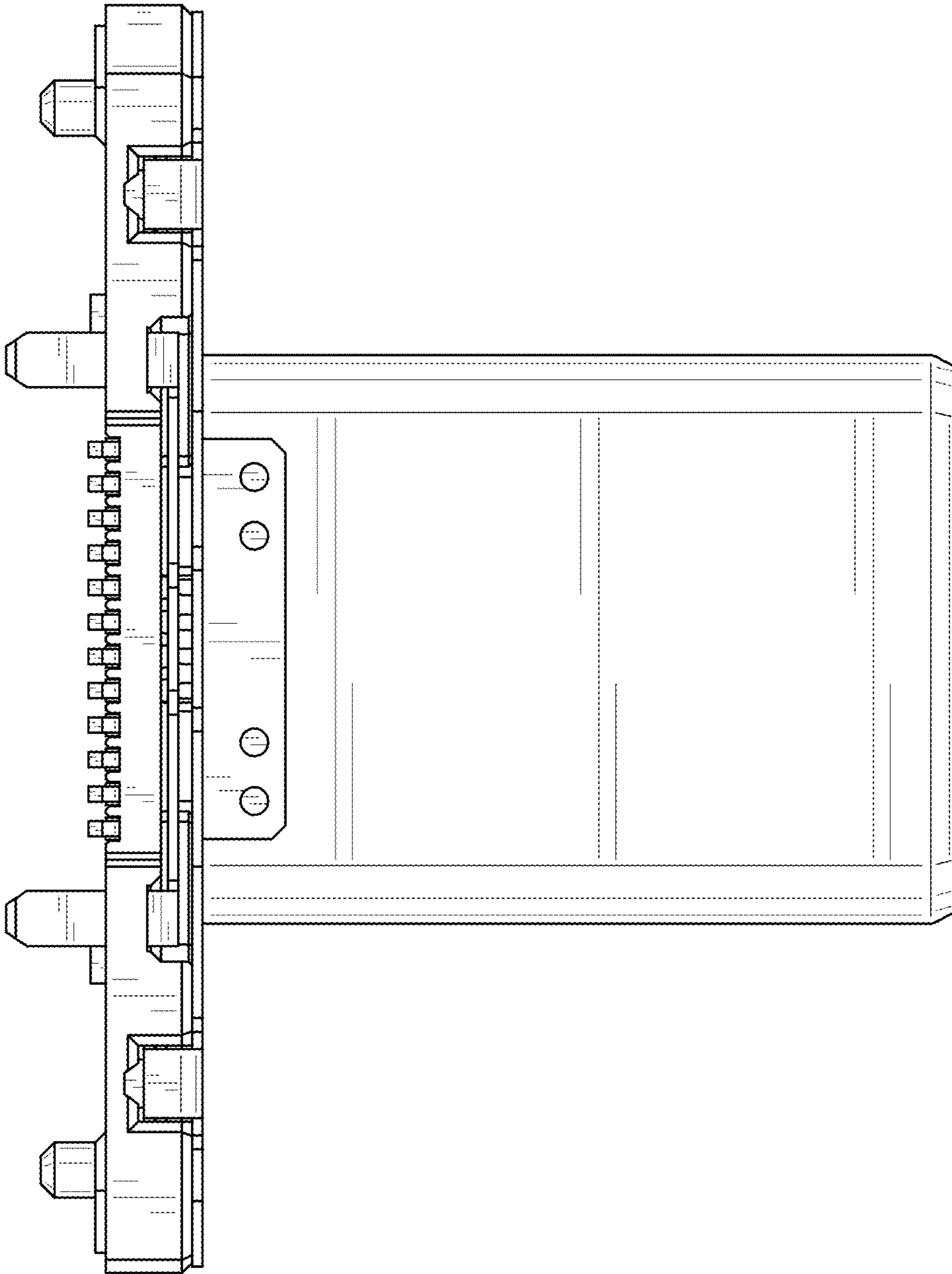


FIG. 5

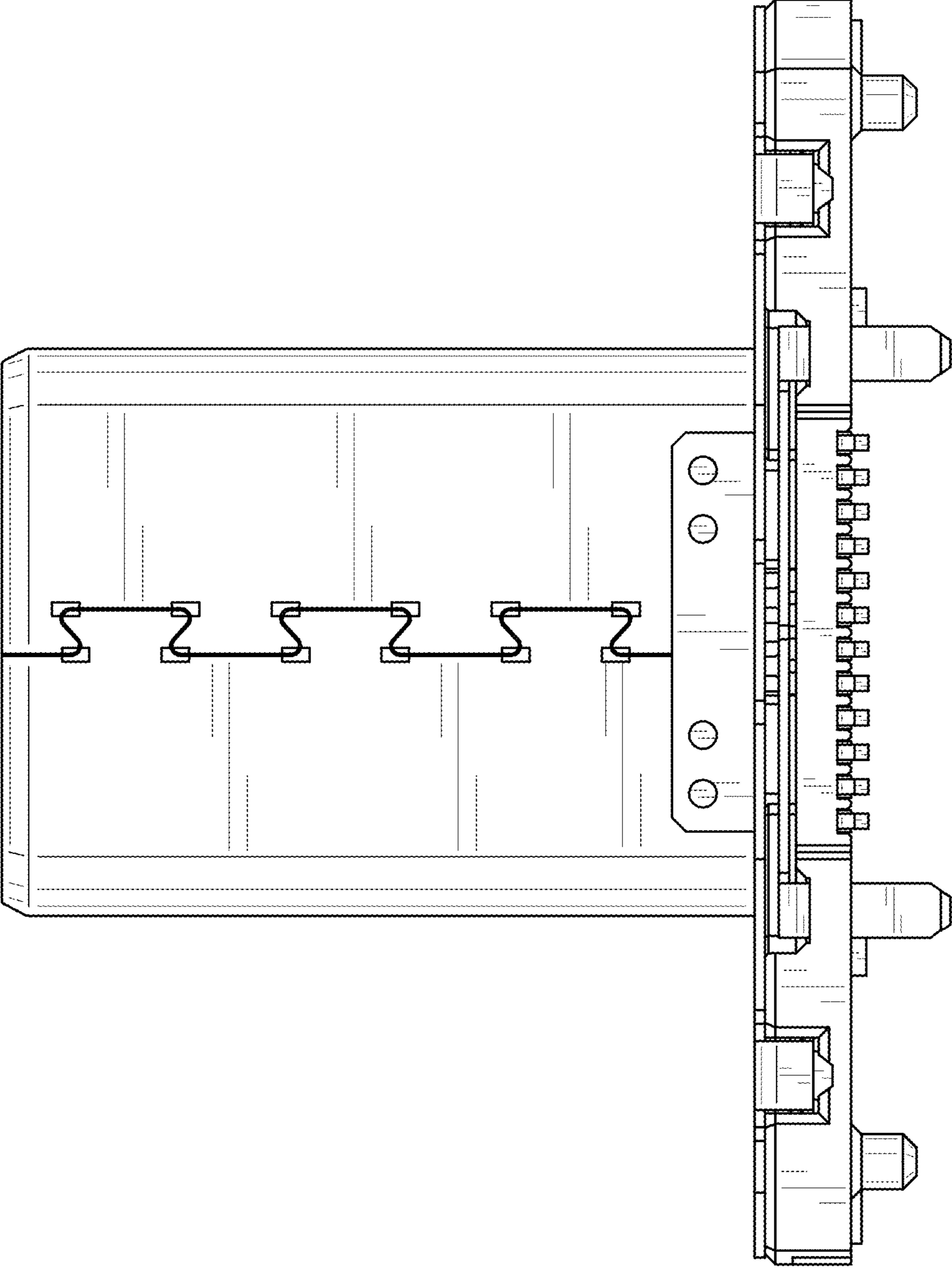


FIG. 6

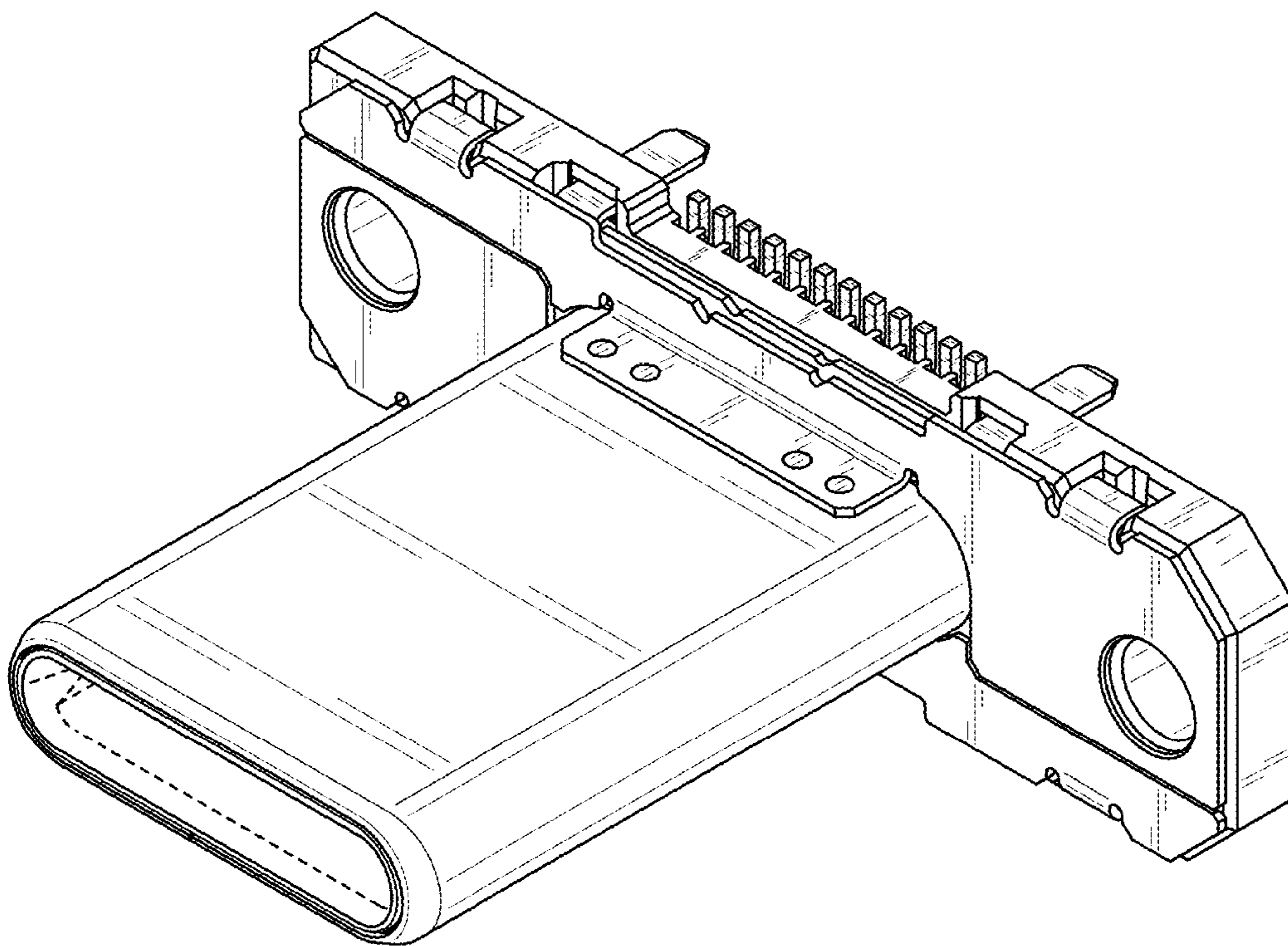


FIG. 7

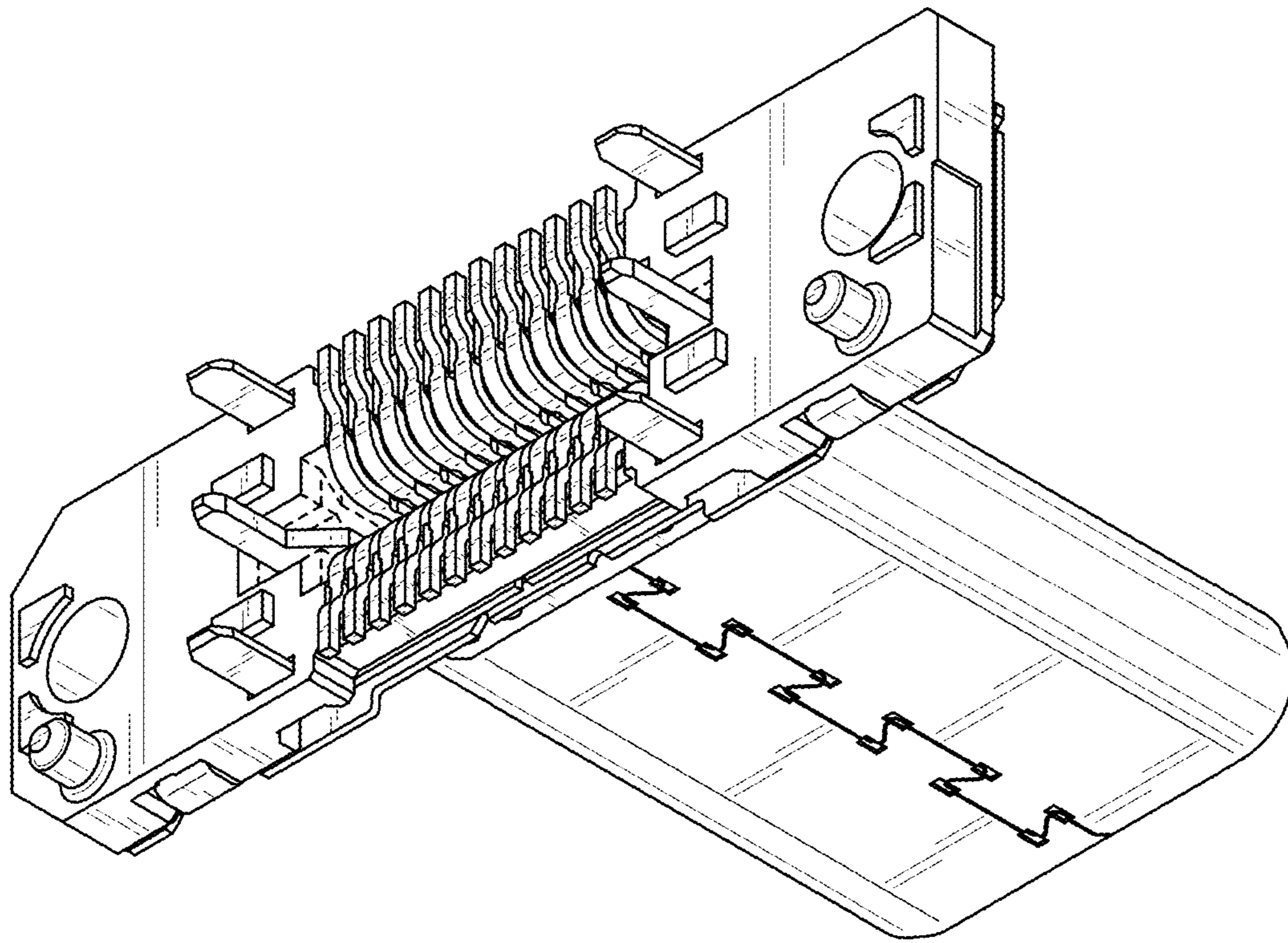


FIG. 8

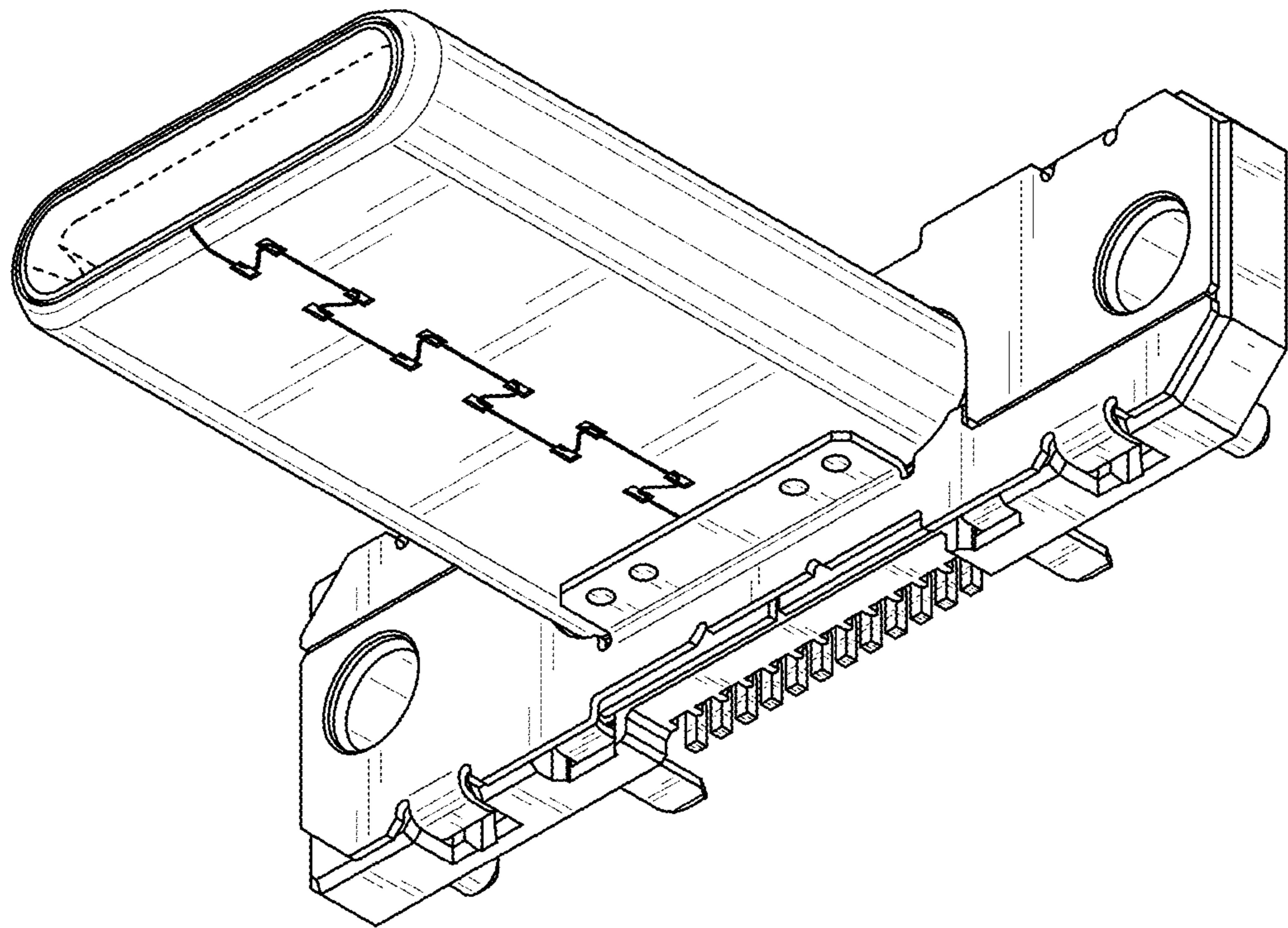


FIG. 9



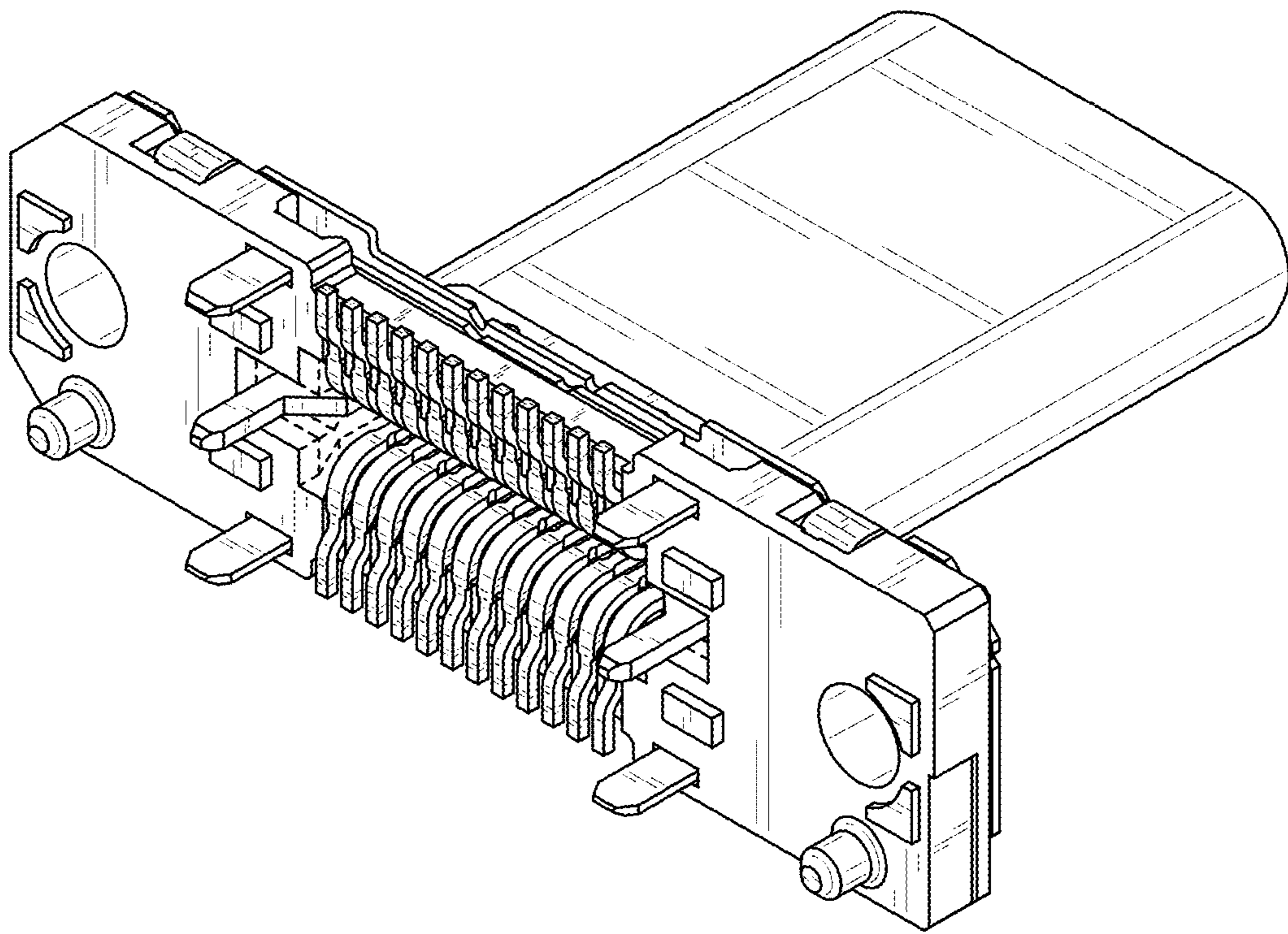


FIG. 10