



US00D768084S

(12) **United States Design Patent** (10) **Patent No.:** **US D768,084 S**
Rodriguez et al. (45) **Date of Patent:** **** Oct. 4, 2016**

(54) **POWER/DATA CONNECTOR**
(71) Applicant: **Google Inc.**, Mountain View, CA (US)
(72) Inventors: **Adam Rodriguez**, San Francisco, CA (US); **Joshua Boilard**, San Francisco, CA (US); **Lawrence Lam**, San Jose, CA (US); **Jeffrey Hayashida**, San Francisco, CA (US)
(73) Assignee: **Google Inc.**, Mountain View, CA (US)

D636,337 S 4/2011 Smith et al.
D676,389 S * 2/2013 Worth D13/147
D713,795 S 9/2014 Yang
D744,428 S 12/2015 Rodriguez et al.

(Continued)

FOREIGN PATENT DOCUMENTS

JP D1268980 3/2006
JP H23401831 2/2011

(Continued)

(**) Term: **15 Years**

OTHER PUBLICATIONS

(21) Appl. No.: **29/531,824**

Korean Office Action for Application No. 30-2014-0036010-M002 dated Feb. 24, 2015.

(22) Filed: **Jun. 30, 2015**

(Continued)

Related U.S. Application Data

(63) Continuation of application No. 29/479,977, filed on Jan. 22, 2014, now Pat. No. Des. 744,428.

(51) **LOC (10) Cl.** **13-03**

(52) **U.S. Cl.**
USPC **D13/147**

(58) **Field of Classification Search**
USPC D13/147, 154, 184, 199
See application file for complete search history.

Primary Examiner — Daniel Bui

(74) *Attorney, Agent, or Firm* — Lerner, David, Littenberg, Krumholz & Mentlik, LLP

(57) **CLAIM**

The ornamental design for a power/data connector, as shown and described.

DESCRIPTION

FIG. 1 is a perspective view of a power/data connector showing our new design;

FIG. 2 is a front elevation view thereof;

FIG. 3 is a back elevation view thereof;

FIG. 4 is a left side elevation view thereof, the right side elevation view being a mirror image of the left side elevation view; and,

FIG. 5 is a top plan view thereof, the bottom plan view being a mirror image of the top elevation view.

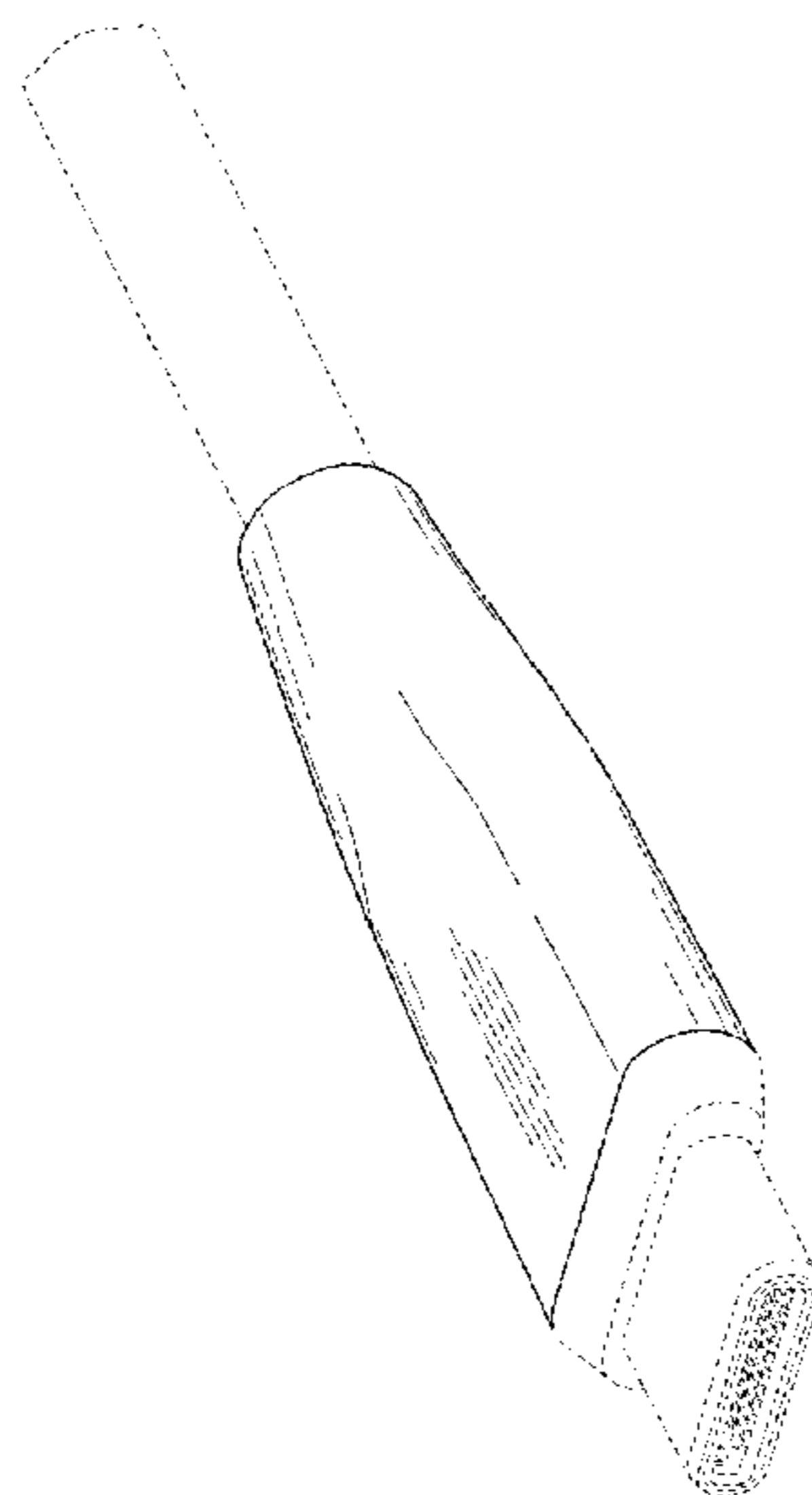
The broken line in the figure drawings is included to show unclaimed environment only and forms no part of the claimed design.

(56) **References Cited**

U.S. PATENT DOCUMENTS

D333,293 S 2/1993 Ashida
D484,137 S 12/2003 Wikel et al.
D515,035 S 2/2006 Li et al.
D516,030 S 2/2006 Han et al.
D544,443 S 6/2007 Yang et al.
D588,995 S * 3/2009 Wu D13/147
D589,453 S 3/2009 Zhao et al.
D600,652 S 9/2009 Hong et al.
D602,440 S * 10/2009 Wu D13/147
D612,809 S * 3/2010 Zhao D13/147
D621,360 S 8/2010 Kondo
D626,512 S 11/2010 Lin

1 Claim, 3 Drawing Sheets



(56)

References Cited

U.S. PATENT DOCUMENTS

2015/0044886 A1 2/2015 Little et al.
 2015/0331826 A1* 11/2015 Ghosh G06F 13/4282
 710/313
 2015/0333451 A1* 11/2015 Kao H01R 13/6596
 439/607.01

FOREIGN PATENT DOCUMENTS

JP D1475077 7/2013
 TW D143934 12/2011
 TW D157157 11/2013

OTHER PUBLICATIONS

Korean Office Action for Application No. 30-2014-0036010-M003 dated Feb. 24, 2015.
 Korean Office Action for Application No. 30-2014-0036010-M004 dated Feb. 24, 2015.
 Korean Office Action for Application No. 30-2014-0036010-M005 dated Feb. 24, 2015.
 Korean Office Action for Application No. 30-2014-0036010-M006 dated Feb. 24, 2015.
 Notice of Allowance for Taiwanese Patent Application No. 103307004, dated Nov. 24, 2015.
 Korean Office Action for Application No. 30-2014-0058847 dated Jul. 1, 2015.

Notice of Decision of Rejection for Japanese Design Patent Application No. 2014-015758 dated Nov. 24, 2015.
 Notice of Allowance for Taiwanese Design Patent Application No. 105300359 dated Apr. 29, 2016.
 Notice of Allowance for Taiwanese Design Patent Application No. 105300360 dated Apr. 29, 2016.
 Notice of Ground of Rejection for Japanese Design Patent Application No. 2015-013687 dated Mar. 28, 2016.
 Notice of Ground of Rejection for Japanese Design Patent Application No. 2015-013688 dated Mar. 28, 2016.
 Notice of Ground of Rejection for Japanese Design Patent Application No. 2015-013689 dated Mar. 28, 2016.
 Notice of Ground of Rejection for Japanese Design Patent Application No. 2015-013690 dated Mar. 28, 2016.
 Notice of Ground of Rejection for Japanese Design Patent Application No. 2015-013691 dated Mar. 28, 2016.
 Notice of Ground of Rejection for Japanese Design Patent Application No. 2015-013692 dated Mar. 28, 2016.
 Notice of Ground of Rejection for Japanese Design Patent Application No. 2015-013693 dated Mar. 28, 2016.
 Notice of Ground of Rejection for Japanese Design Patent Application No. 2015-013694 dated Mar. 28, 2016.
 PC Watch. "Details of Reversible USB Type-C Connector Specification are Released." Impress Corporation. Published Apr. 3, 2014. Retrieved from the Internet: <http://pc.watch.impress.co.jp/docs/news/20140403_642743.html>.

* cited by examiner

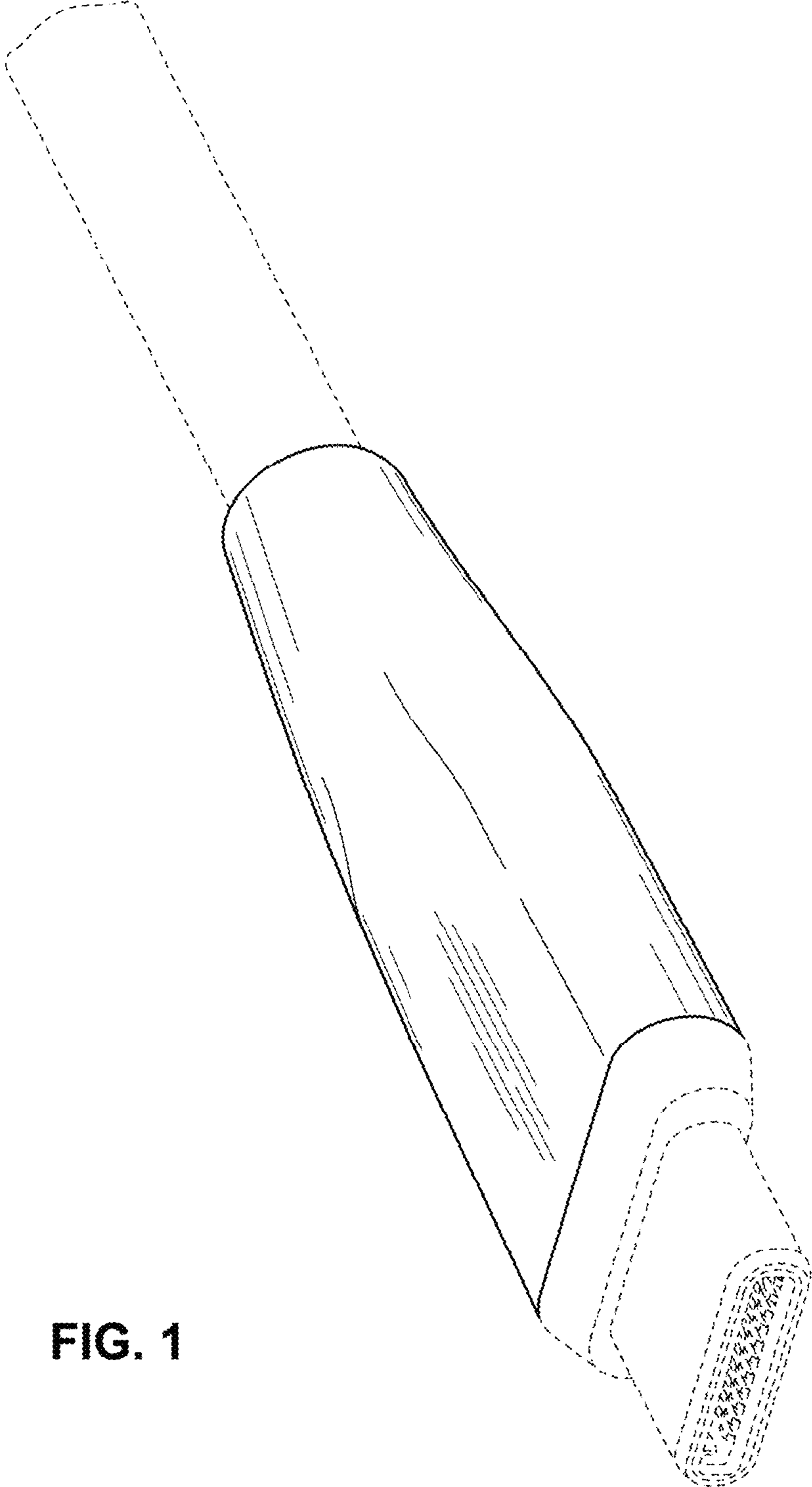


FIG. 1

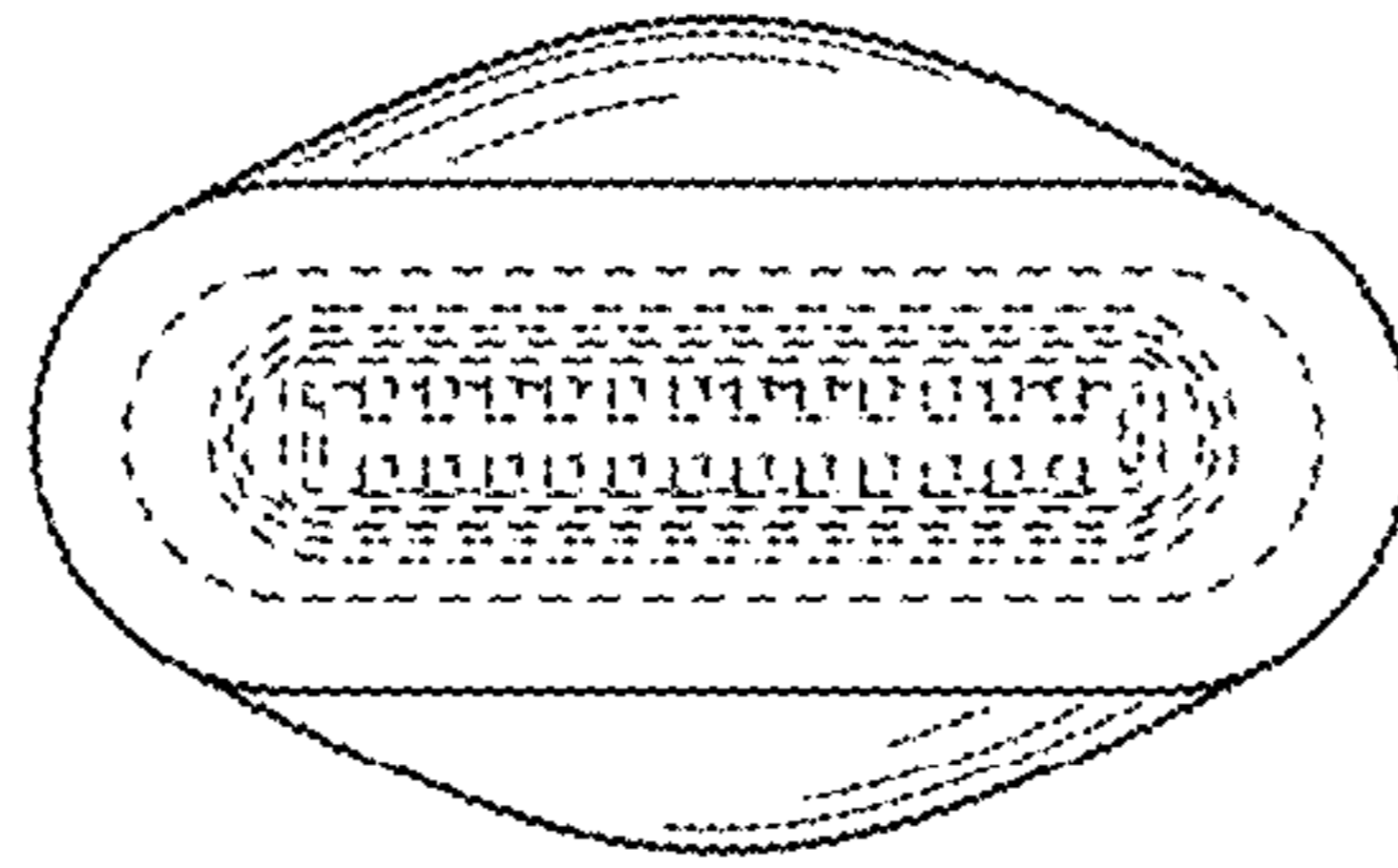


FIG. 2

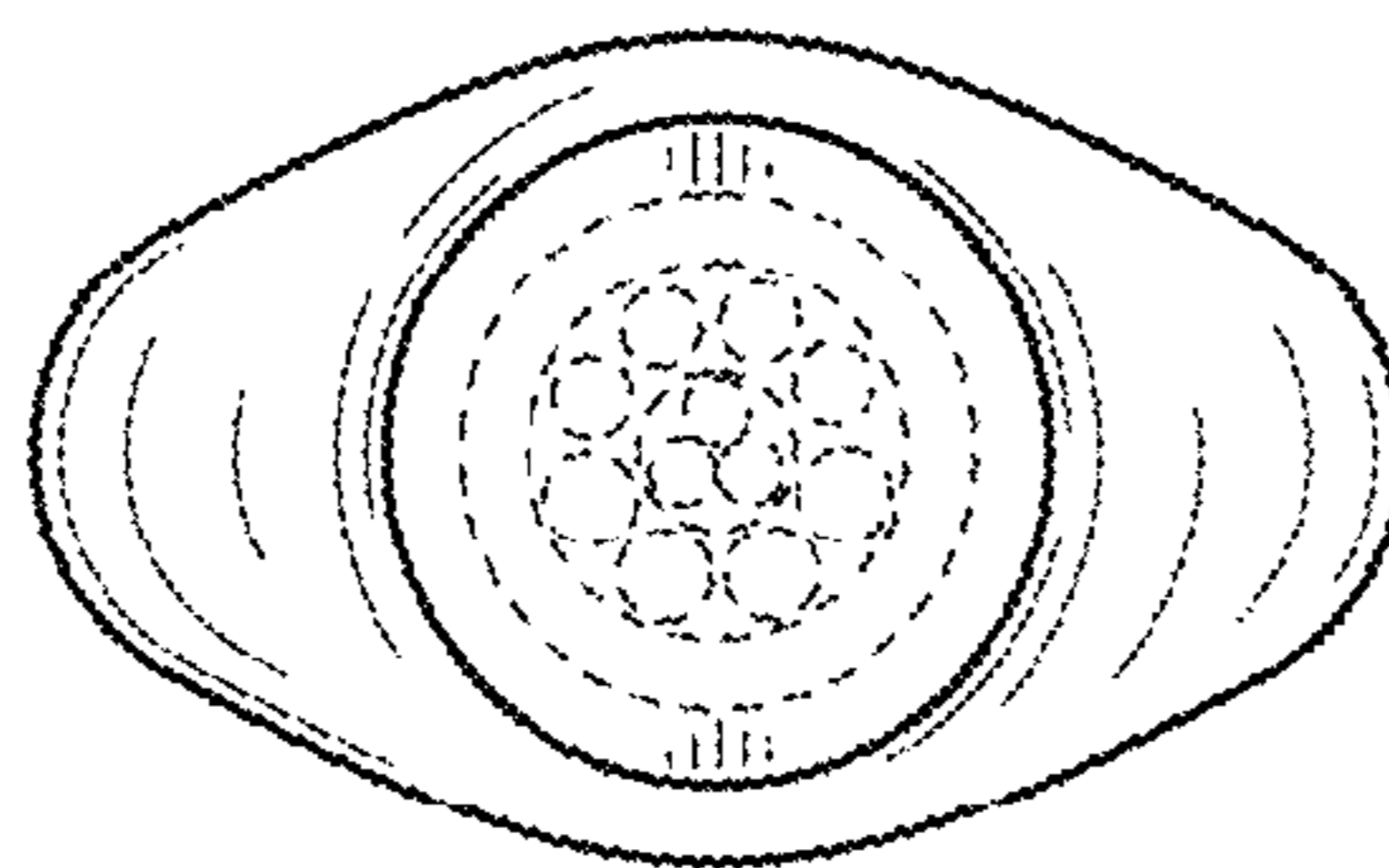


FIG. 3

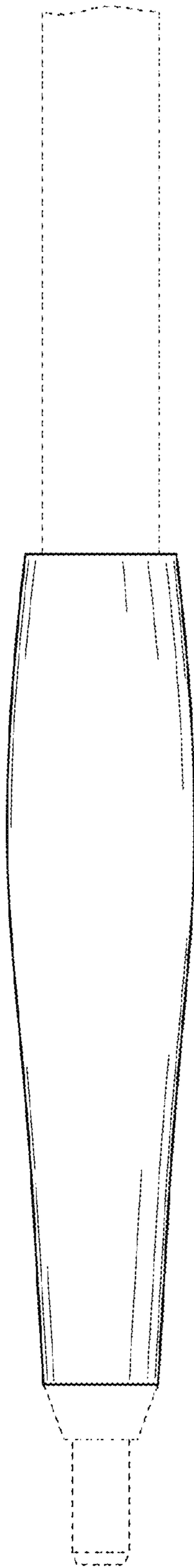


FIG. 4

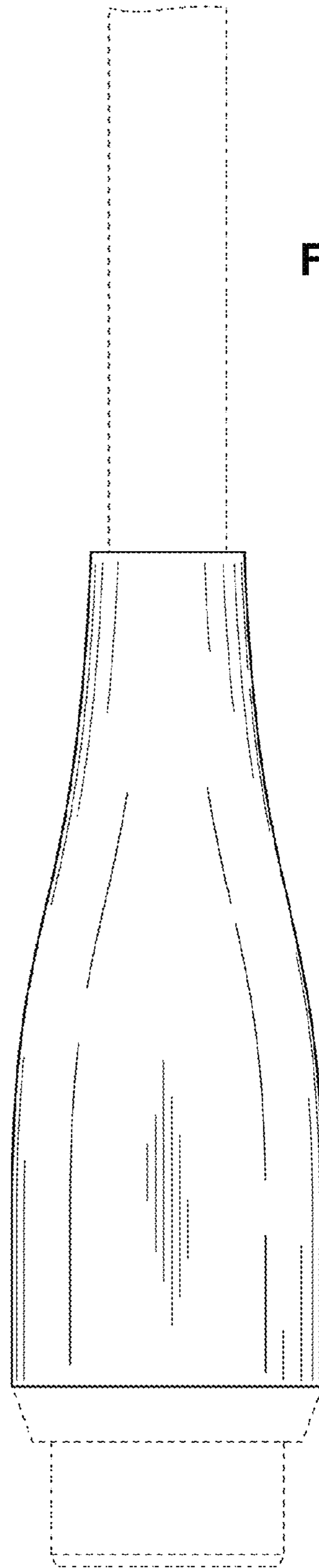


FIG. 5