



US00D768083S

(12) **United States Design Patent**
Zhou

(10) **Patent No.:** **US D768,083 S**

(45) **Date of Patent:** **** Oct. 4, 2016**

(54) **CONNECTOR**

(71) Applicant: **Shengling Zhou**, Shenzhen (CN)

(72) Inventor: **Shengling Zhou**, Shenzhen (CN)

(**) Term: **14 Years**

(21) Appl. No.: **29/526,572**

(22) Filed: **May 11, 2015**

(30) **Foreign Application Priority Data**

Jan. 6, 2015 (CN) 2015 3 0003233

(51) **LOC (10) Cl.** **13-03**

(52) **U.S. Cl.**
USPC **D13/147**

(58) **Field of Classification Search**
USPC D13/133, 147, 153, 154, 184, 199
See application file for complete search history.

(56) **References Cited**

U.S. PATENT DOCUMENTS

D304,027 S * 10/1989 Matsuzaki D13/147
D304,028 S * 10/1989 Matsuzaki D13/147
D355,891 S * 2/1995 Ditzig D13/147

D399,047 S * 10/1998 Yoshida D13/147
D466,479 S * 12/2002 Pein D13/147
D477,571 S * 7/2003 Huang D13/147

* cited by examiner

Primary Examiner — Daniel Bui

(74) *Attorney, Agent, or Firm* — Michael Best & Friedrich LLP

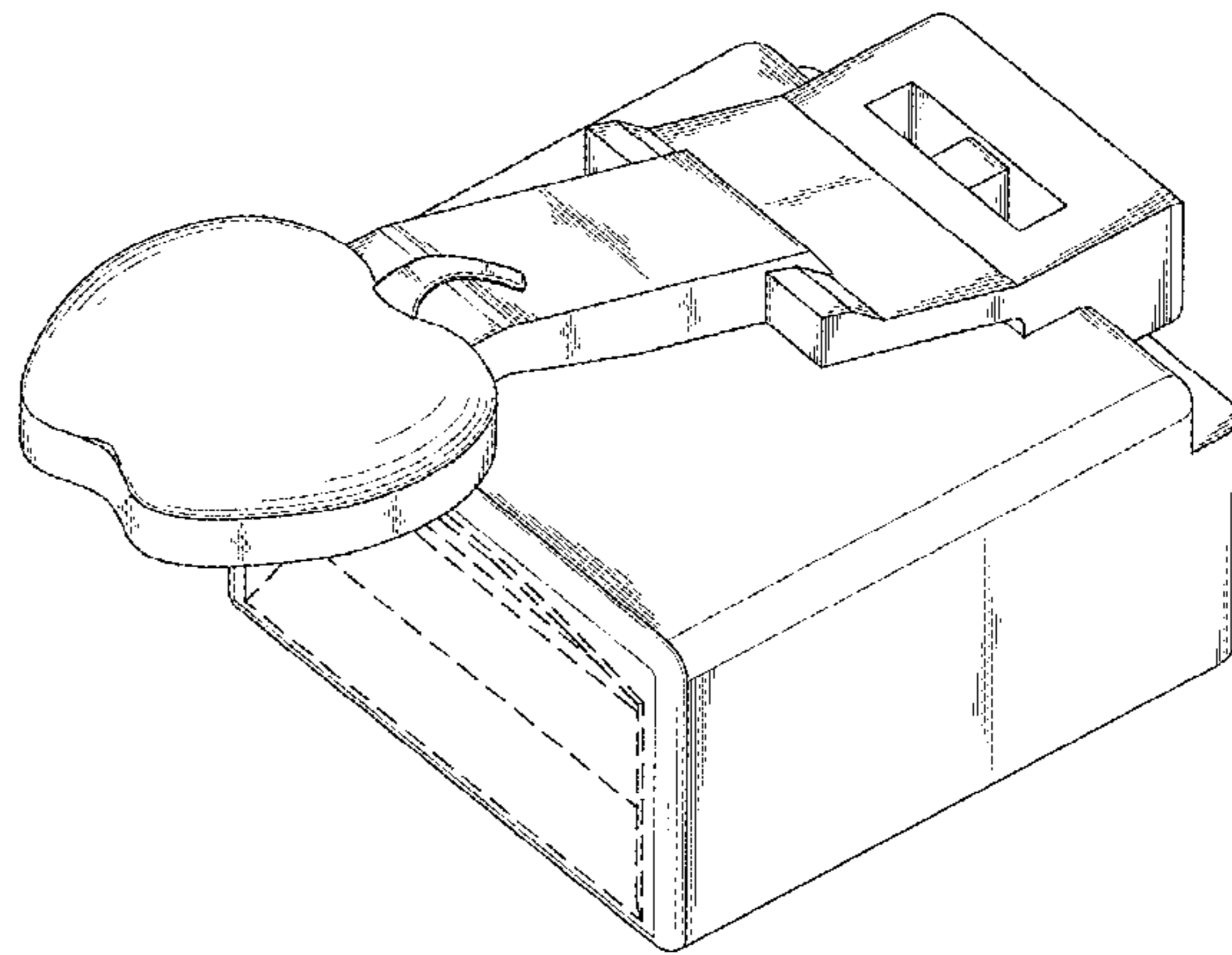
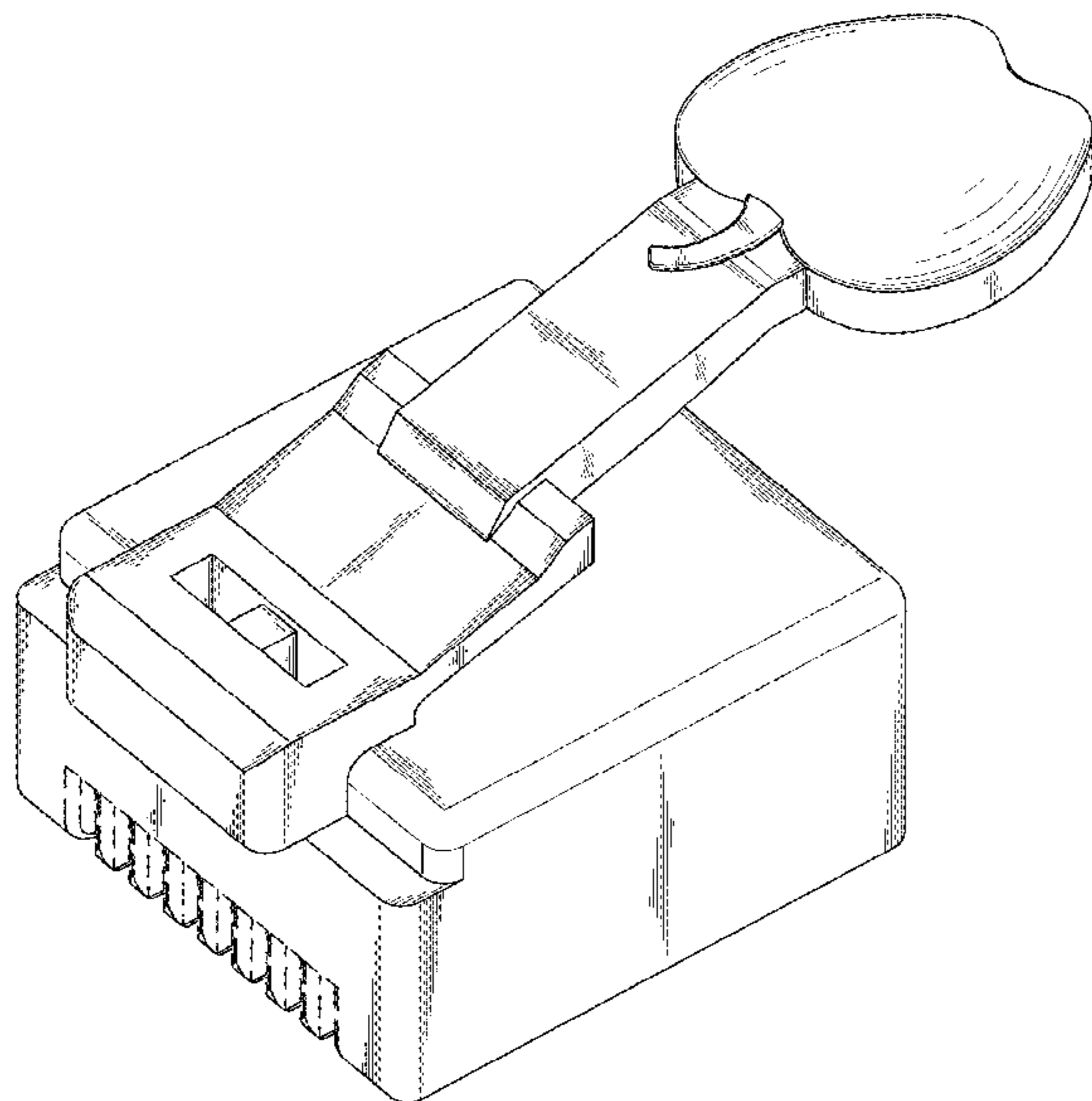
(57) **CLAIM**

I claim the ornamental design for a connector, as shown and described.

DESCRIPTION

FIG. 1 is a front elevation view of a connector showing my new design;
FIG. 2 is a rear elevation view thereof;
FIG. 3 is a left side elevation view thereof;
FIG. 4 is a right side elevation view thereof;
FIG. 5 is a top plan view thereof.
FIG. 6 is a bottom plan view thereof;
FIG. 7 is a front, left and top perspective view thereof; and,
FIG. 8 is a front, right and bottom perspective view thereof.
The broken line showing of the environment is for illustrative purposes only and forms no part of the claimed design.

1 Claim, 8 Drawing Sheets



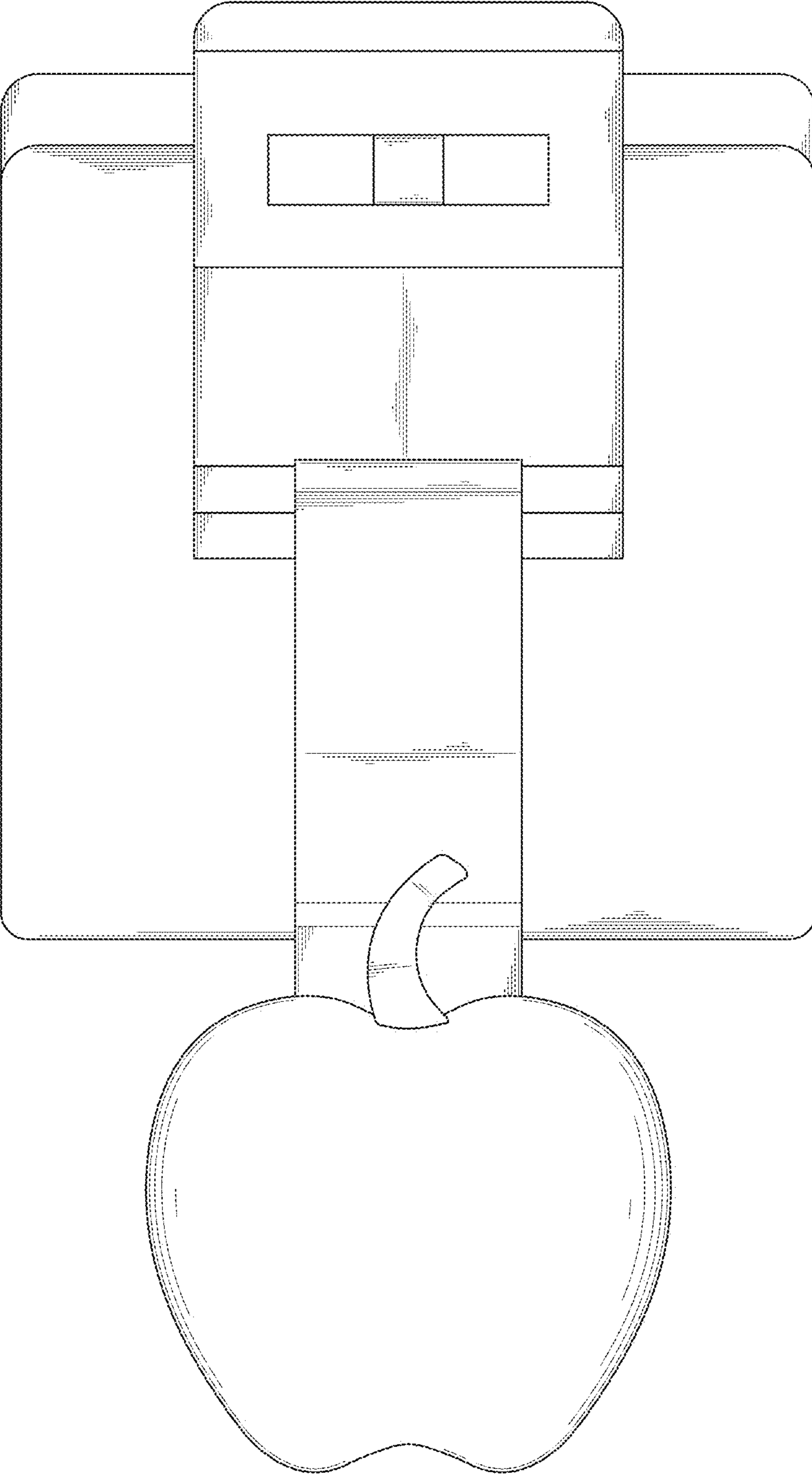


FIG. 1

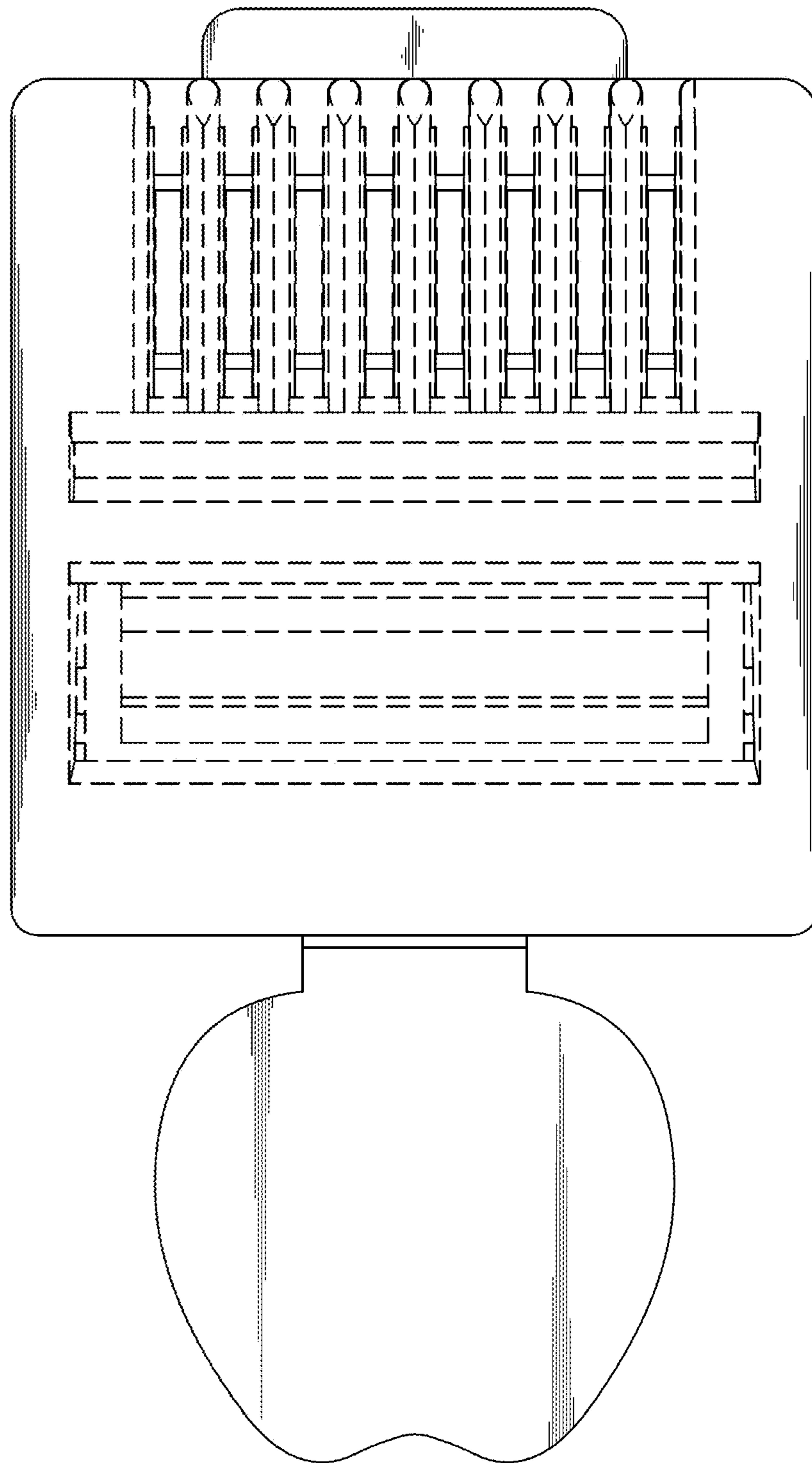


FIG. 2

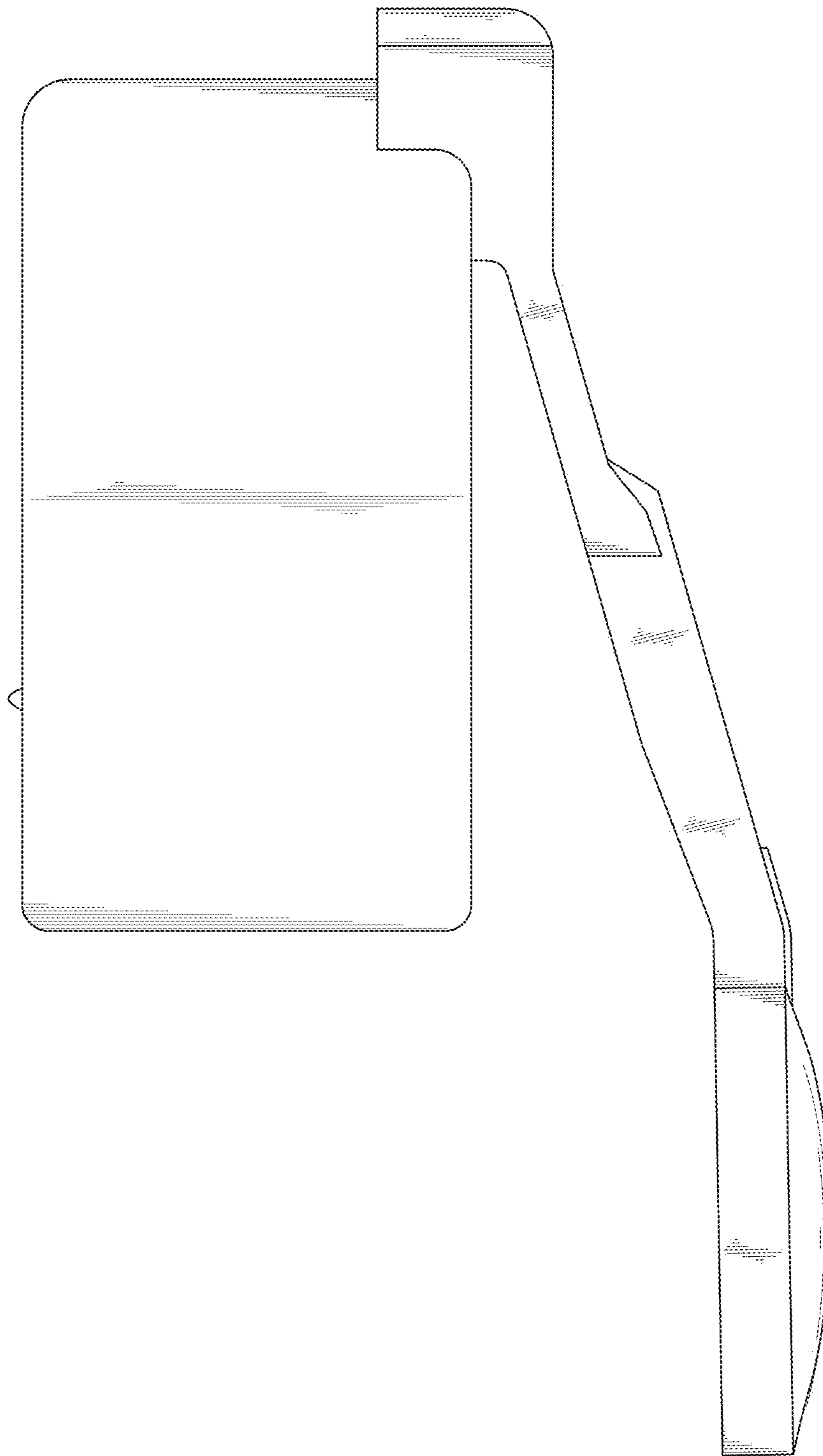


FIG. 3

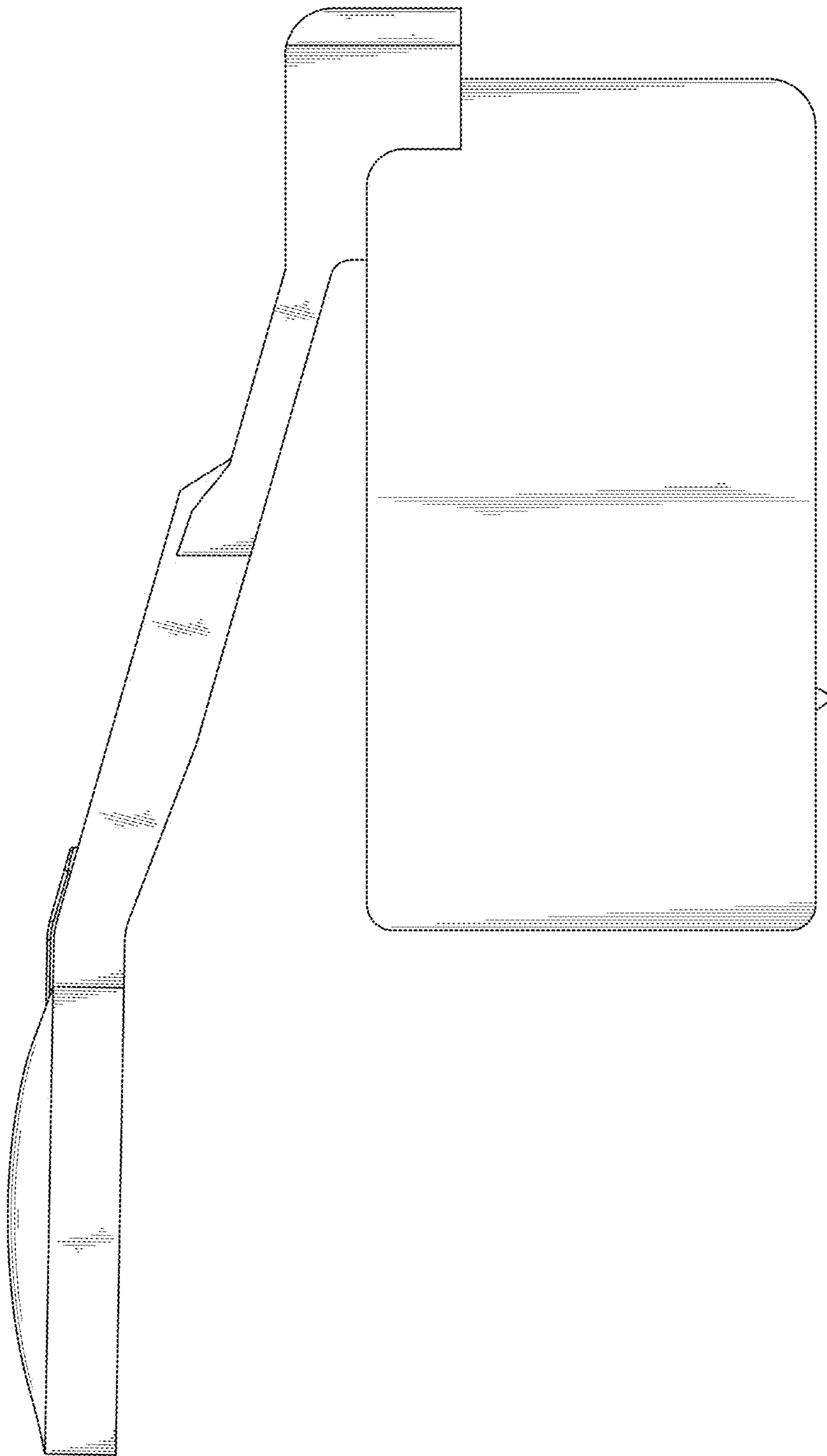


FIG. 4

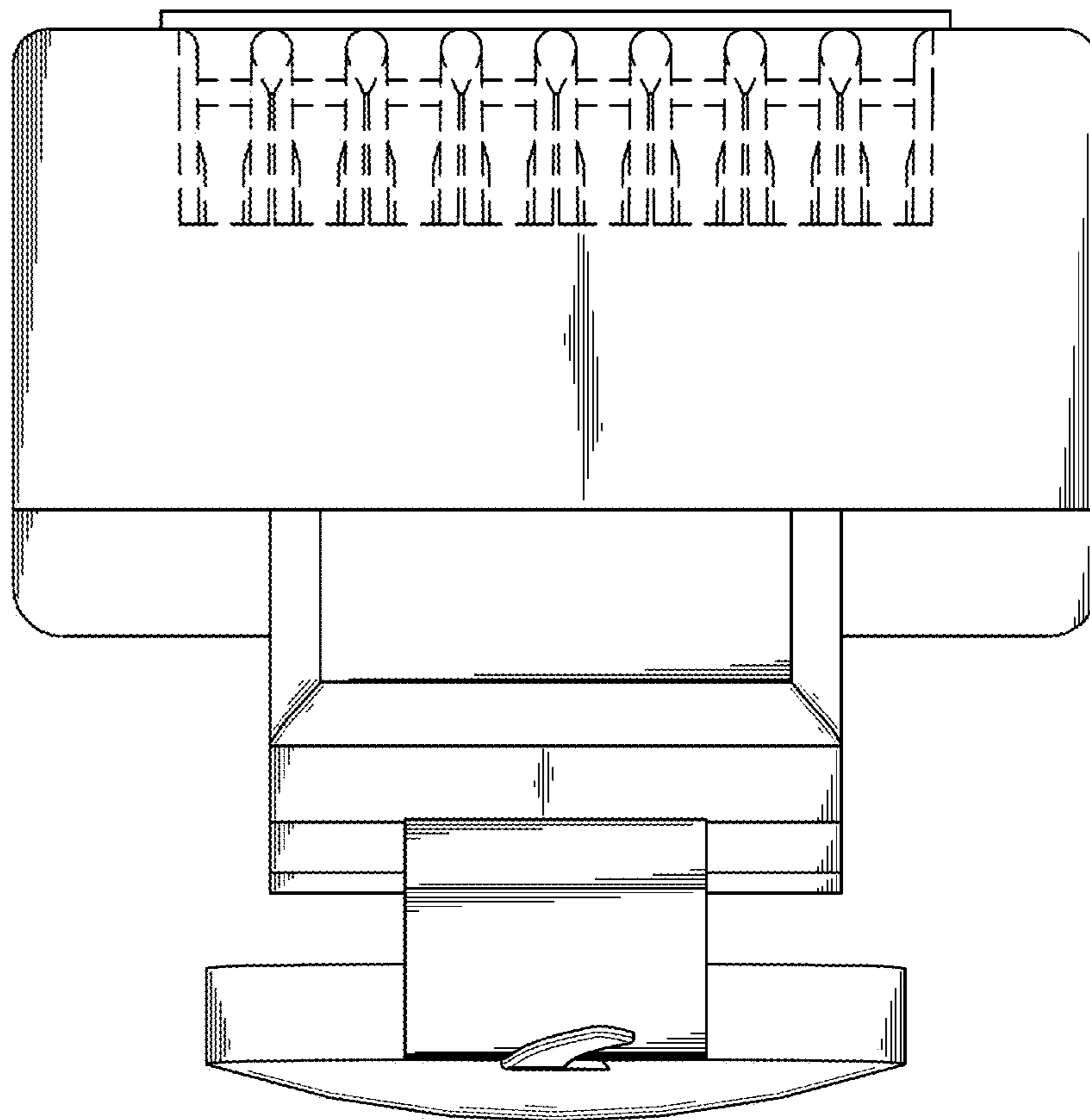


FIG. 5

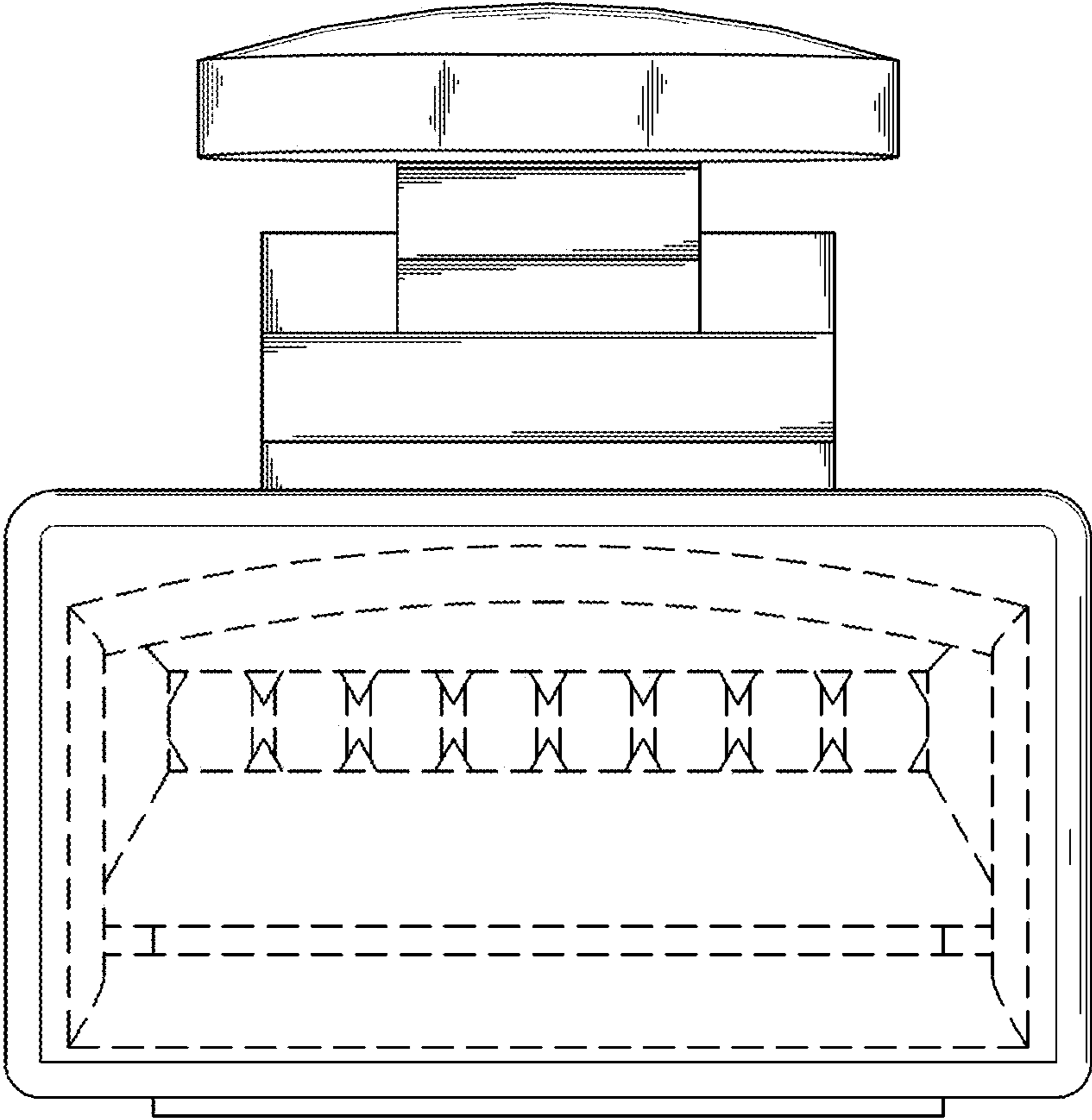


FIG. 6

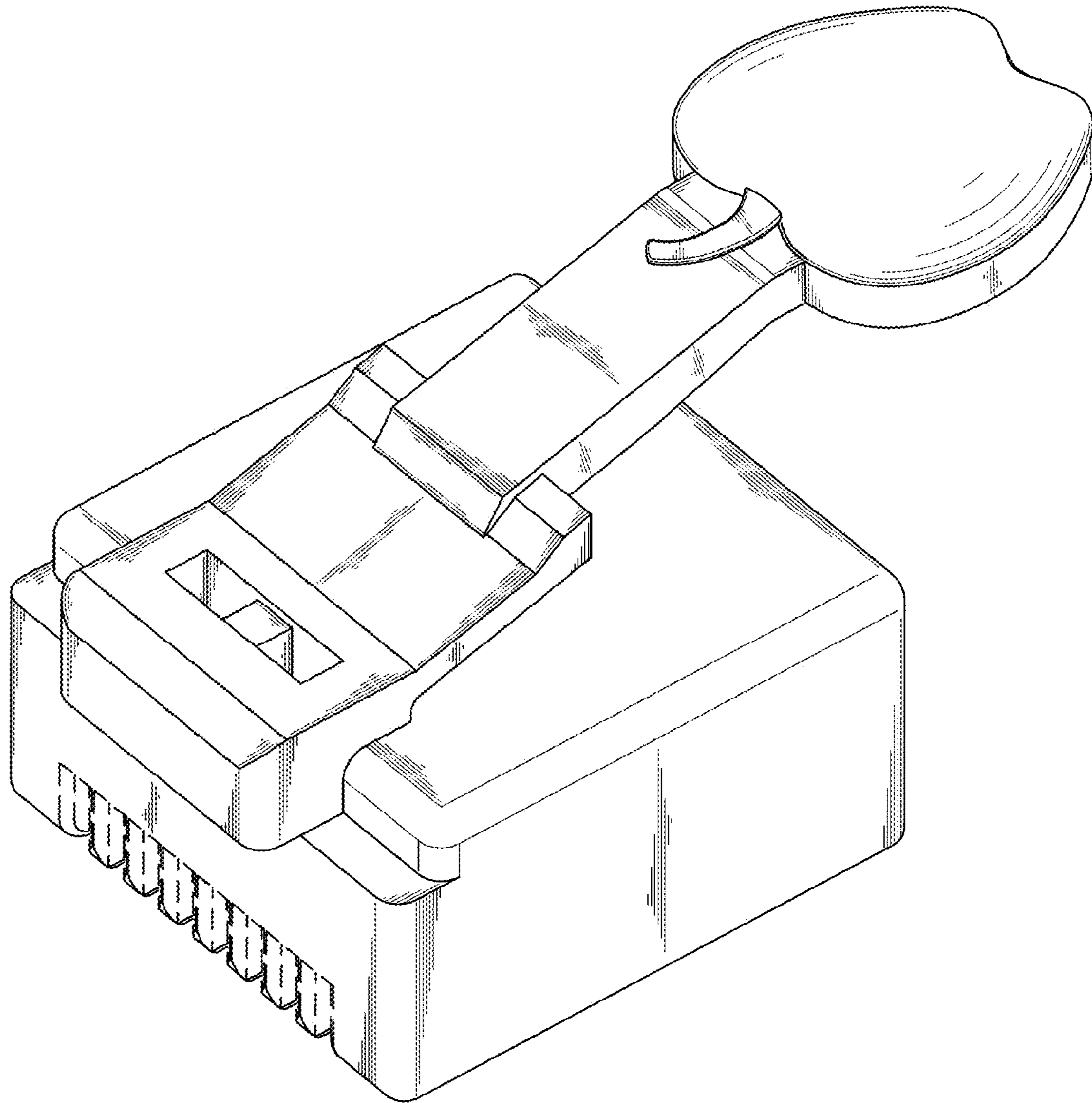


FIG. 7

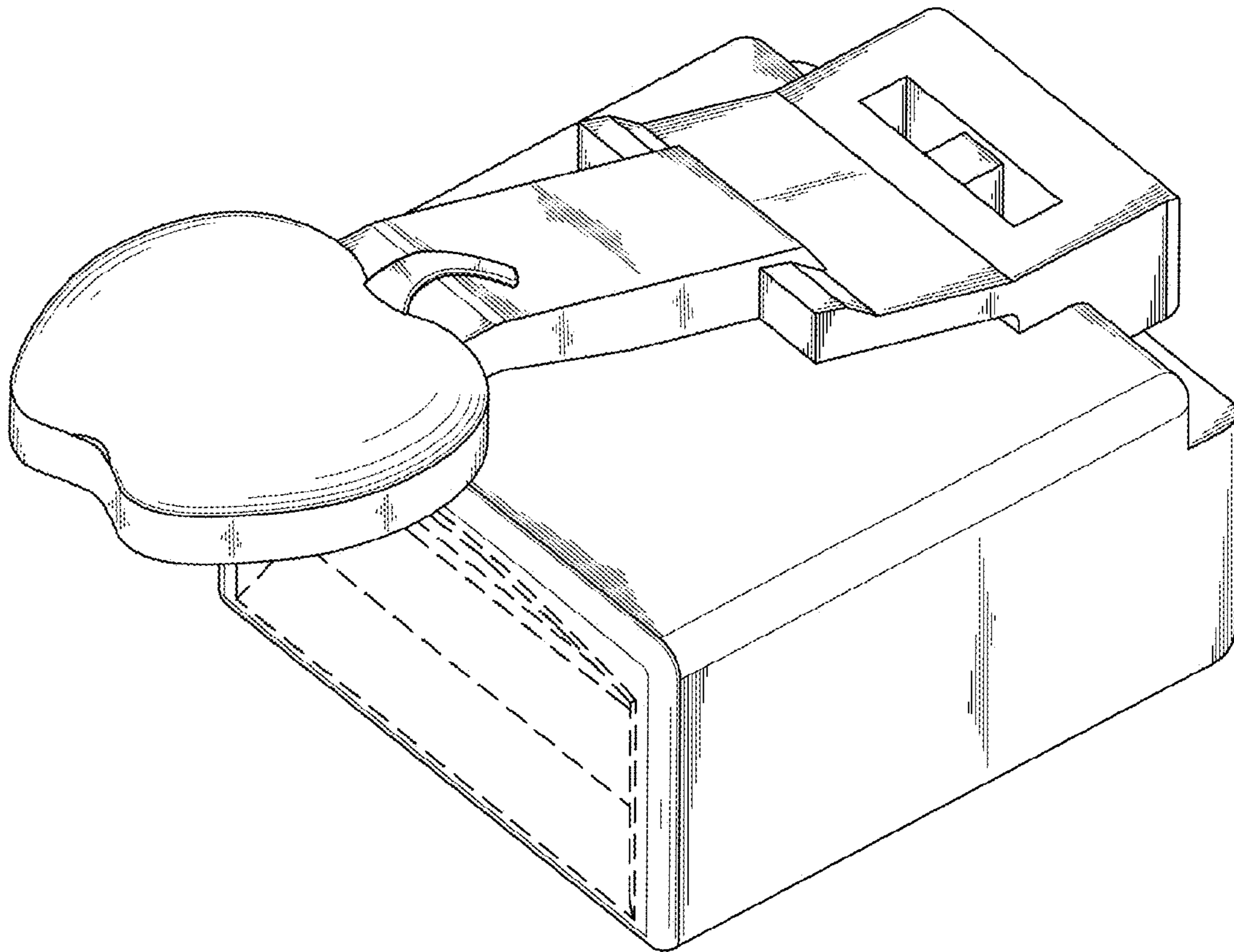


FIG. 8