



US00D768082S

(12) **United States Design Patent**
Chuang

(10) **Patent No.:** **US D768,082 S**

(45) **Date of Patent:** **** Oct. 4, 2016**

(54) **CHARGING CONNECTOR FOR ELECTRIC VEHICLE**

(71) Applicant: **Dragon Bite Industrial Co., Ltd.**,
Tainan (TW)

(72) Inventor: **Li-Jen Chuang**, Tainan (TW)

(73) Assignee: **Dragon Bite Industrial Co., Ltd.**,
Tainan (TW)

(**) Term: **14 Years**

(21) Appl. No.: **29/511,353**

(22) Filed: **Dec. 10, 2014**

(30) **Foreign Application Priority Data**

Sep. 22, 2014 (TW) 103305568

(51) **LOC (10) Cl.** **13-03**

(52) **U.S. Cl.**
USPC **D13/146**

(58) **Field of Classification Search**
USPC D13/133, 146, 147, 154, 184, 199
CPC .. H01R 13/29; H01R 13/52; H01R 13/5219;
H01R 13/562; H01R 13/60; H01R 13/62;
H01R 13/625; H01R 13/629
See application file for complete search history.

(56) **References Cited**

U.S. PATENT DOCUMENTS

D669,033 S * 10/2012 Senk D13/133
D697,869 S * 1/2014 Yamamoto D13/146

D700,143 S * 2/2014 Ichio D13/120
D743,893 S * 11/2015 Kuribayashi D13/146
2015/0295344 A1* 10/2015 Sawada B60L 11/1818
439/587
2016/0028185 A1* 1/2016 Ohmura H01R 13/5227
439/160

* cited by examiner

Primary Examiner — Daniel Bui

(74) *Attorney, Agent, or Firm* — Alan D. Kamrath;
Kamrath IP Lawfirm, P.A.

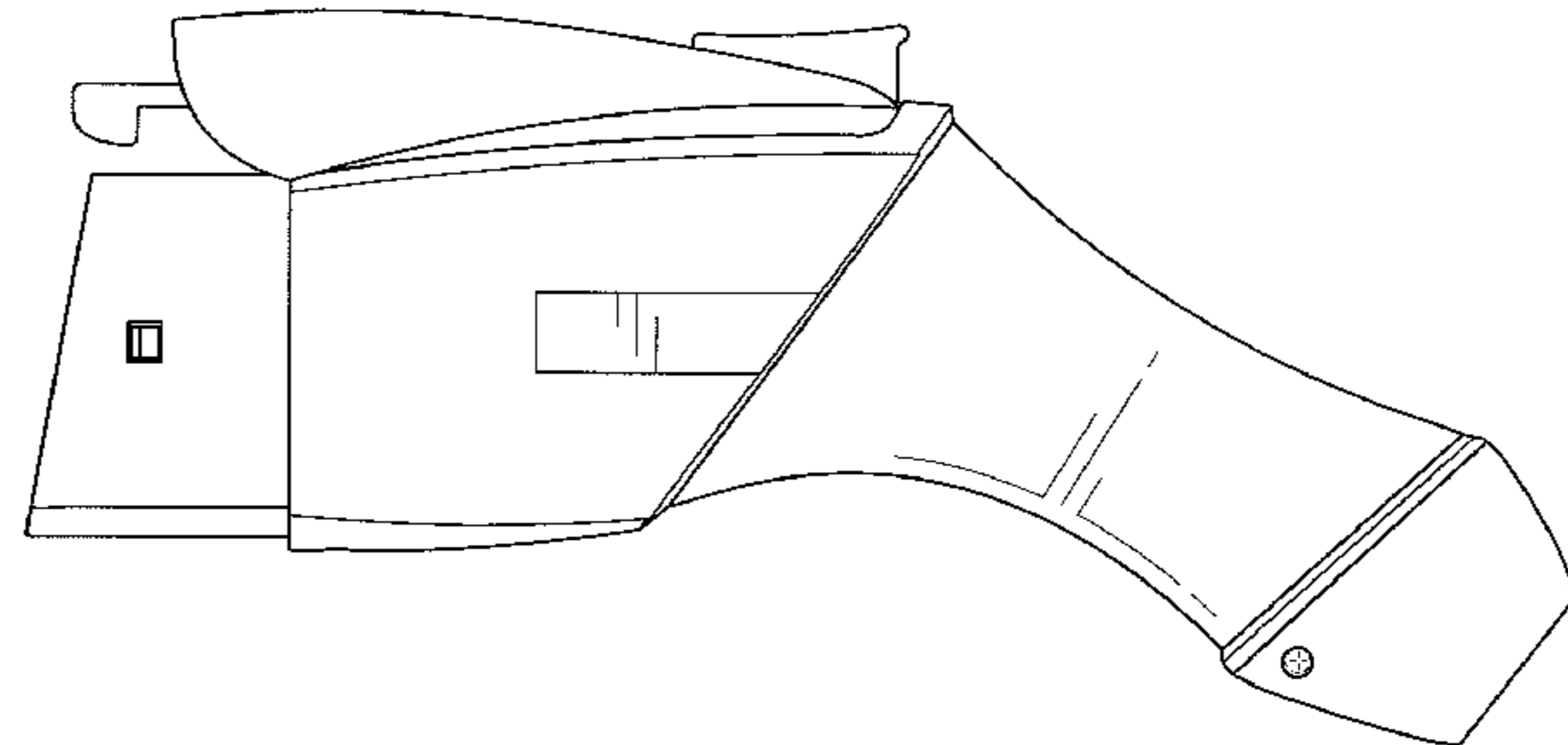
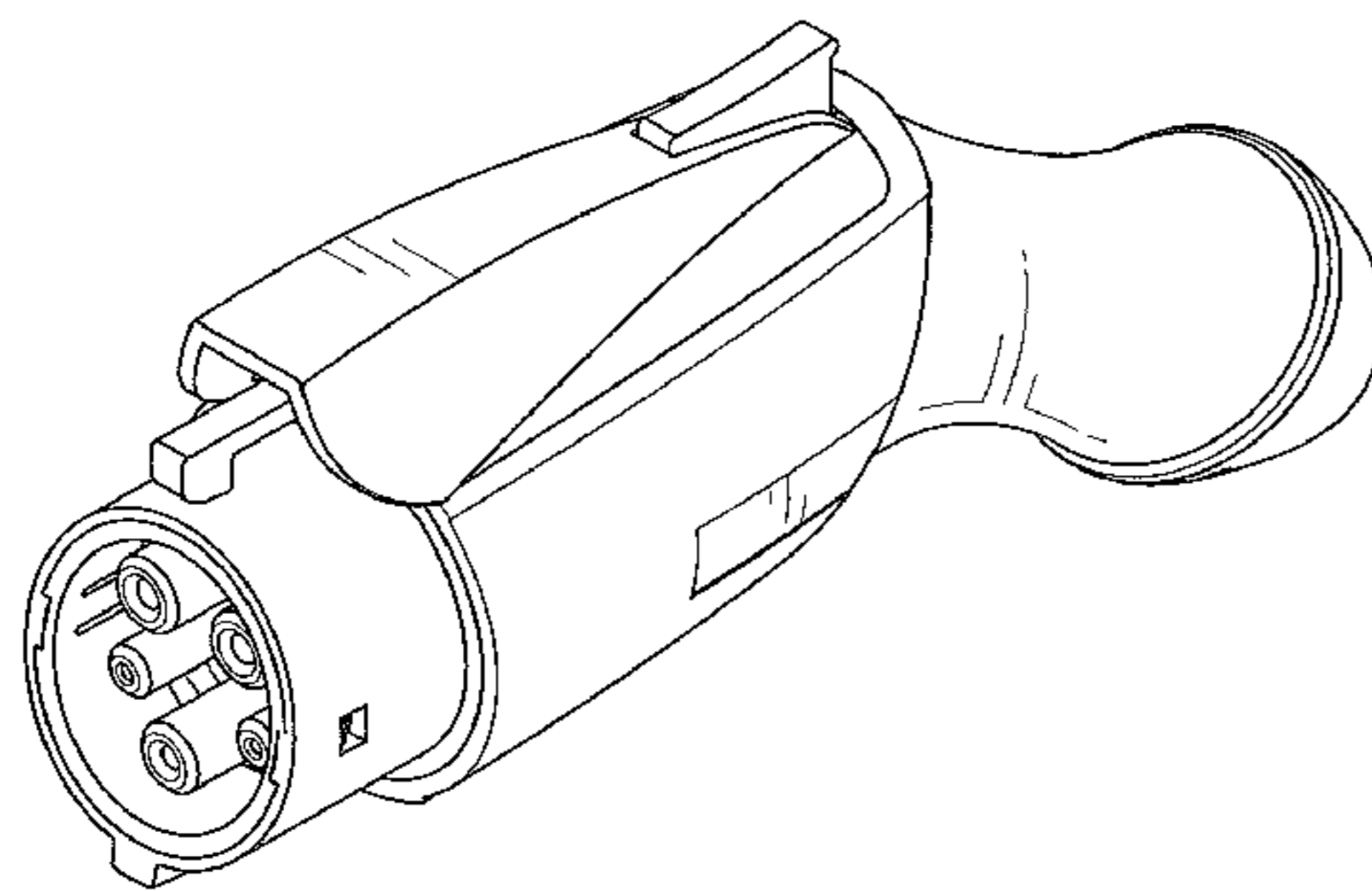
(57) **CLAIM**

The ornamental design for a charging connector for electric vehicle, as shown and described.

DESCRIPTION

FIG. 1 is a perspective view of a charging connector for electric vehicle showing my new design; FIG. 2 is a front side elevational view thereof; FIG. 3 is a rear side elevational view thereof; FIG. 4 is a left side elevational view thereof; FIG. 5 is a right side elevational view thereof; FIG. 6 is a top plan view thereof; and, FIG. 7 is a bottom plan view thereof. The broken line in the figure drawings is included to show unclaimed subject matter only and forms no part of the claimed design.

1 Claim, 4 Drawing Sheets



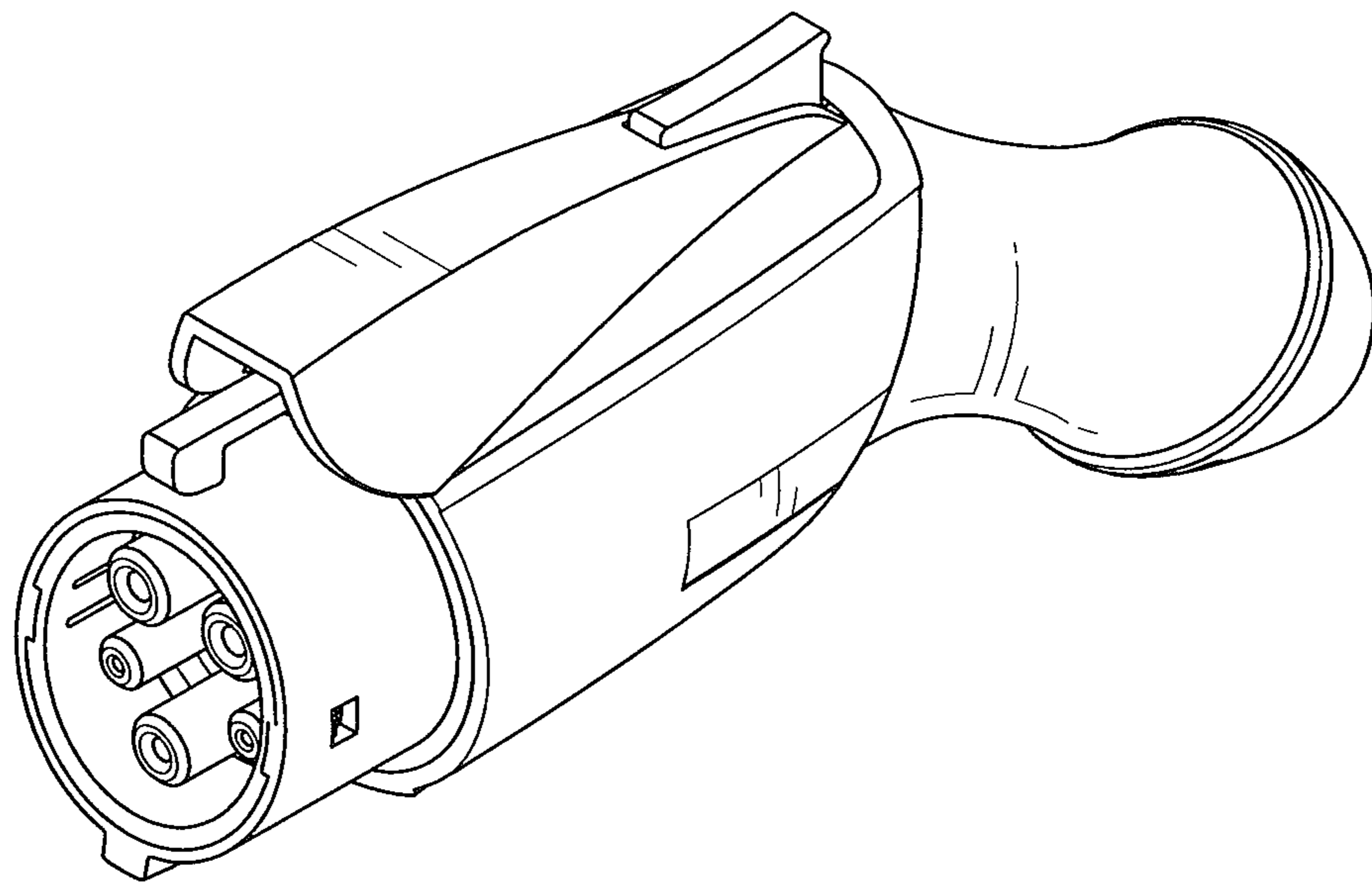


FIG. 1

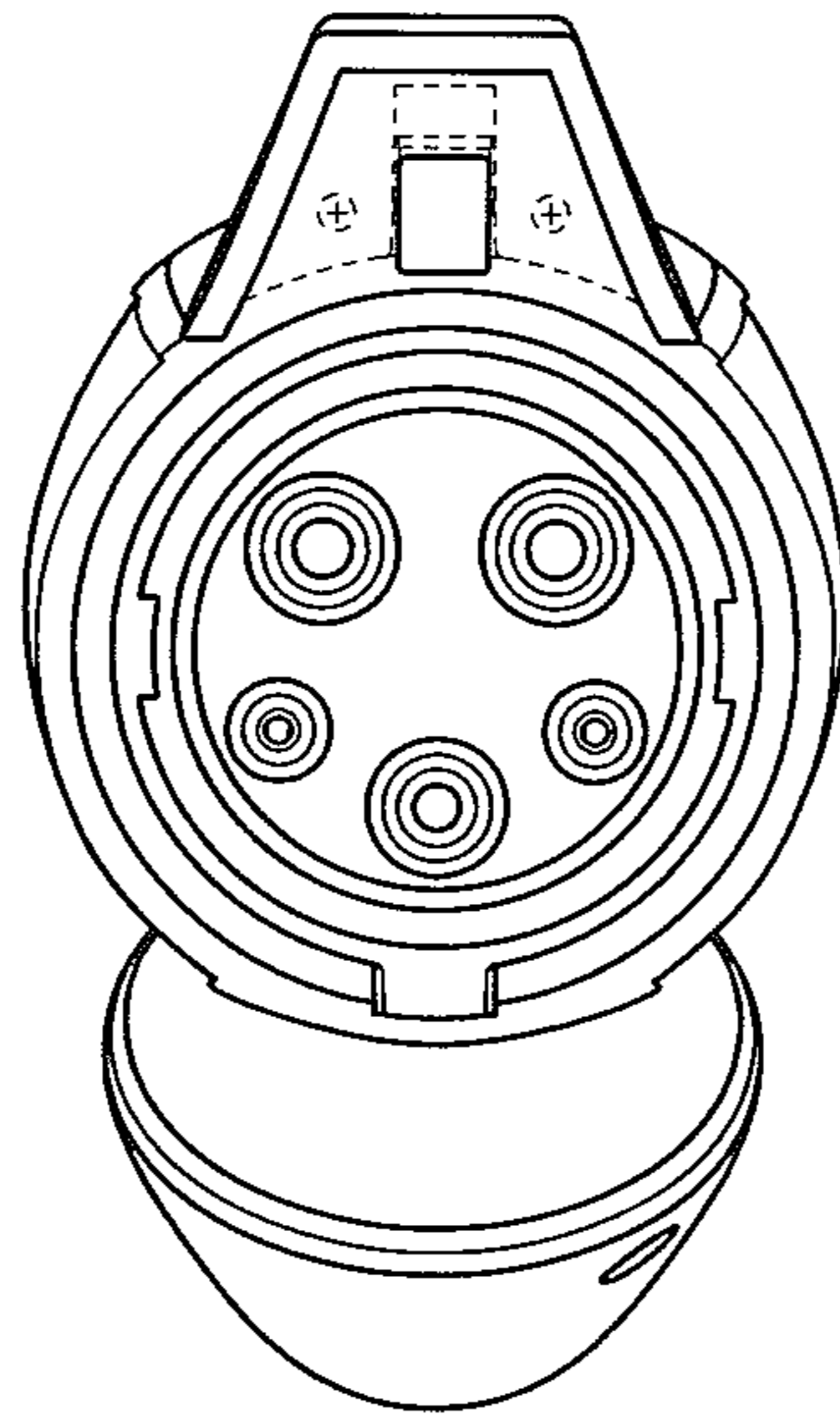


FIG. 2

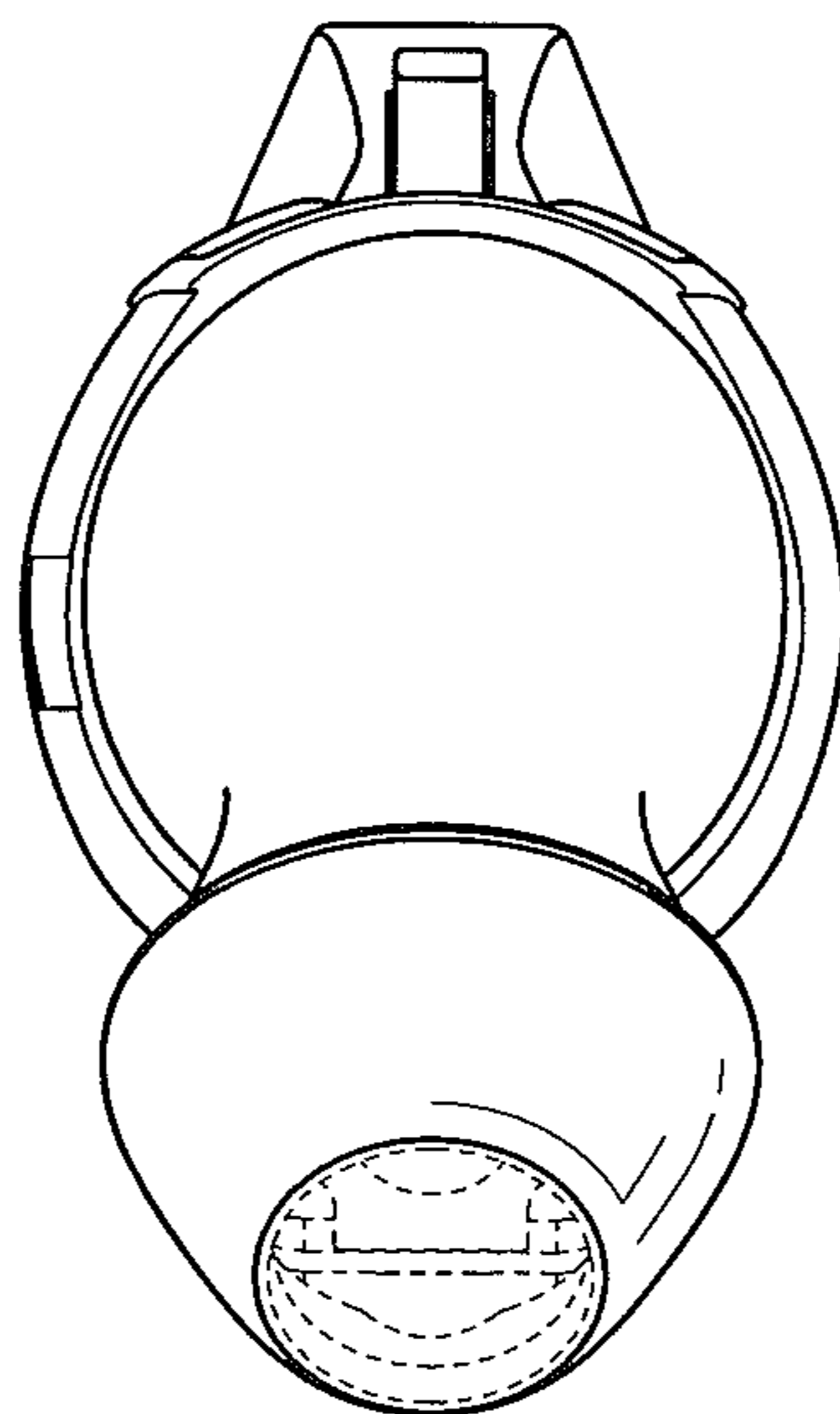


FIG. 3

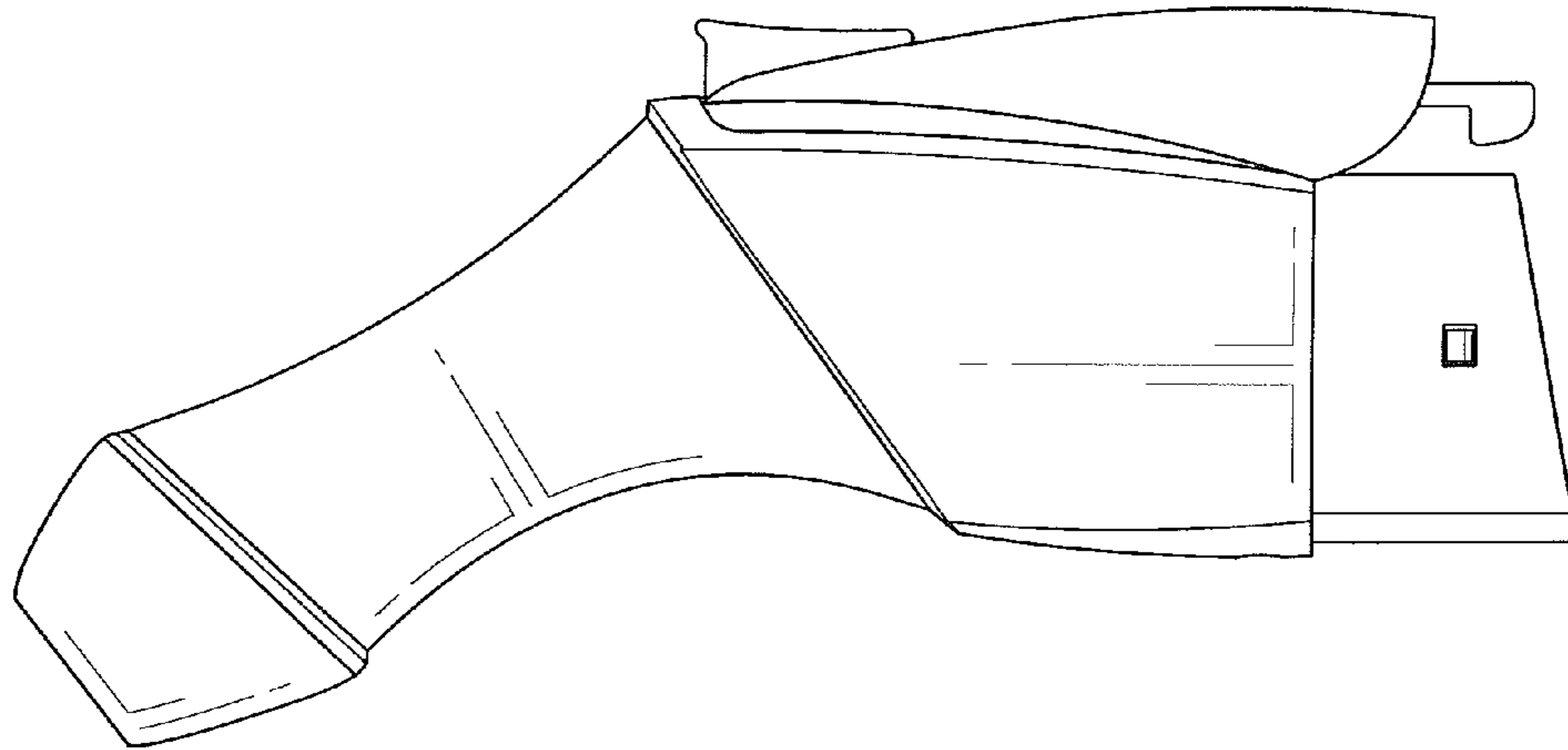


FIG. 4

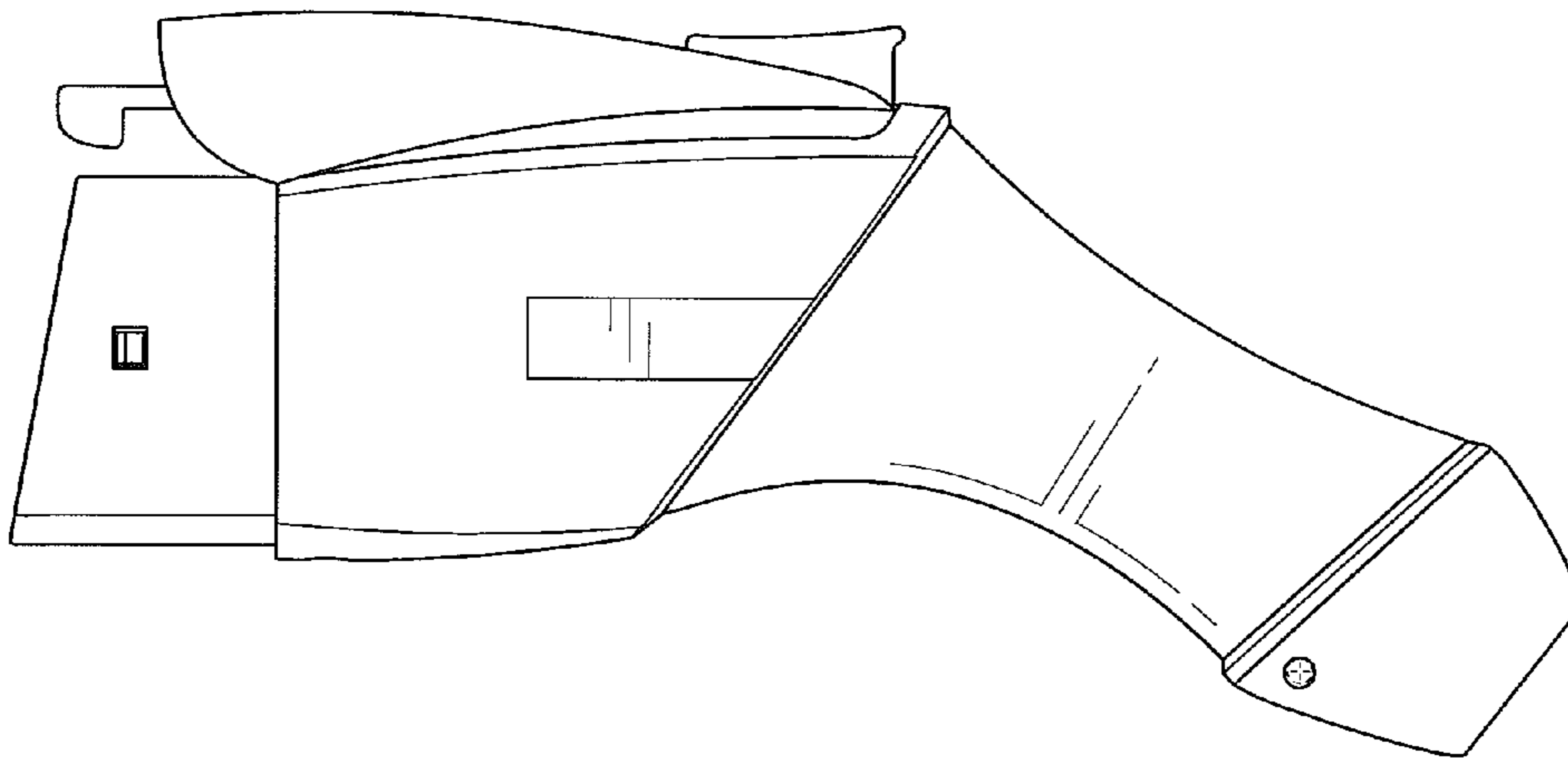


FIG. 5

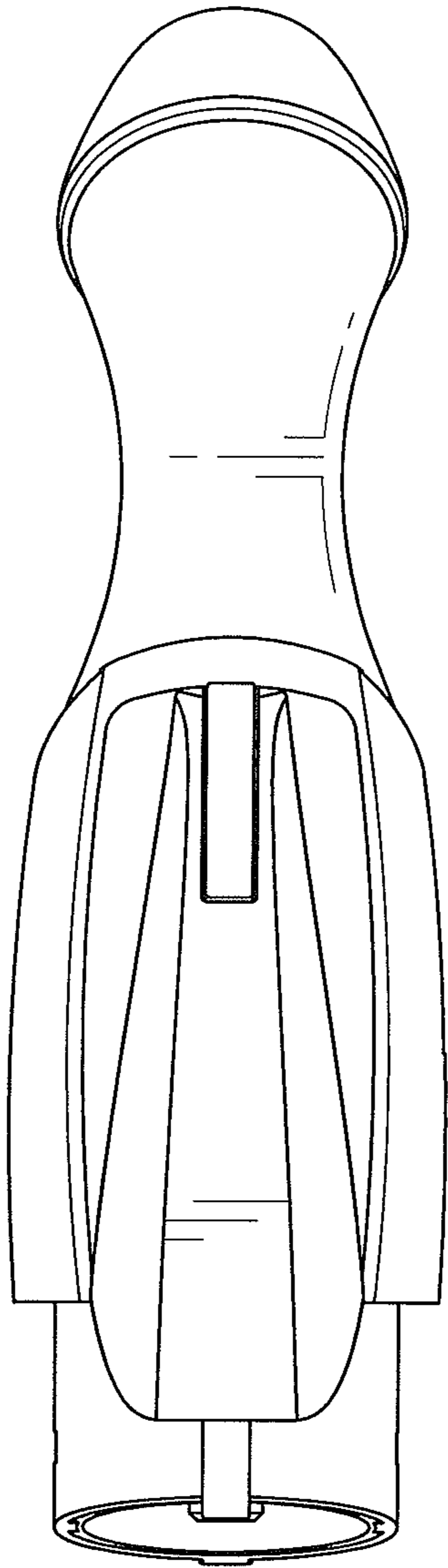


FIG. 6

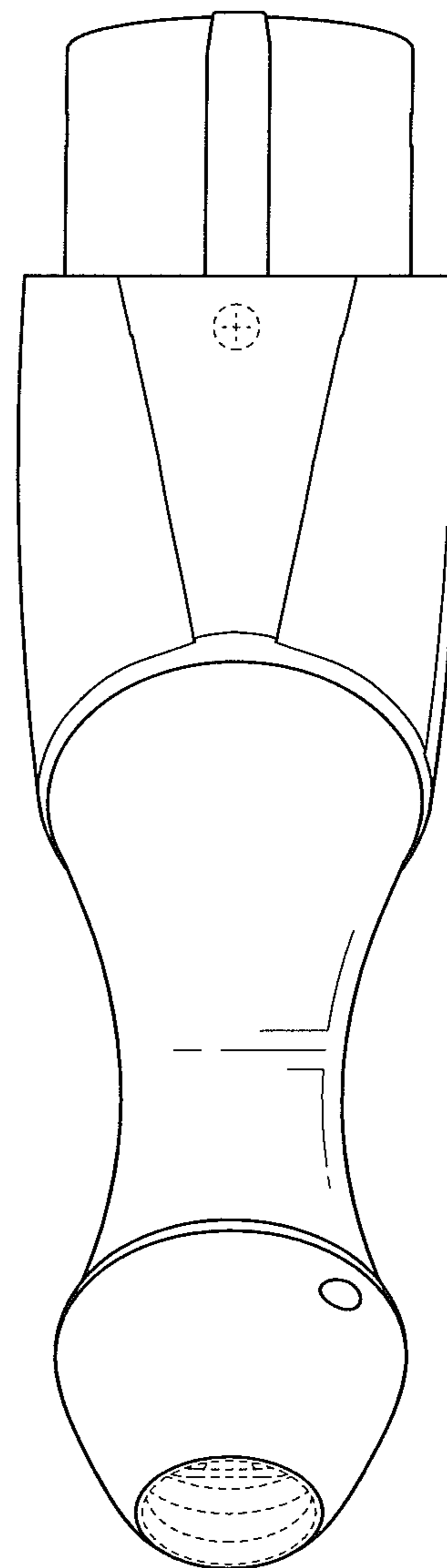


FIG. 7