



US00D768081S

(12) **United States Design Patent** (10) **Patent No.:** **US D768,081 S**
Zayas (45) **Date of Patent:** **** Oct. 4, 2016**

(54) **BASE FOR HIGH PRESSURE LAMP**

(71) Applicant: **LightSources Inc.**, Orange, CT (US)
(72) Inventor: **Betty Jean Zayas**, Bridgeport, CT (US)
(73) Assignee: **LIGHTSOURCES INC.**, Orange, CT (US)
(**) Term: **15 Years**

(21) Appl. No.: **29/527,416**

(22) Filed: **May 19, 2015**

(51) **LOC (10) Cl.** **13-03**

(52) **U.S. Cl.**
USPC **D13/134**

(58) **Field of Classification Search**

USPC D13/110, 118, 123, 133-139.8, 146,
D13/147, 151, 156, 184, 199
CPC F21V 19/00; F21V 21/00; F21V 21/06;
F21V 29/00; F16L 37/23; G02B 6/3847;
G02B 6/38; G02B 6/36; H01R 4/24; H01R
13/64; H01R 13/66; H01R 33/08; H01R
33/05; H01R 33/02; H01R 33/76; H01R
13/00

See application file for complete search history.

(56) **References Cited**

U.S. PATENT DOCUMENTS

4,427,879	A *	1/1984	Becher	G02B 6/2552	250/215
5,114,036	A	5/1992	Liu			
5,795,192	A	8/1998	Ullrich			
D507,537	S	7/2005	Lord			
D575,739	S	8/2008	Ho et al.			
D588,989	S *	3/2009	Kok	D13/133	
D590,344	S *	4/2009	Suematsu	D13/147	
2014/0151999	A1 *	6/2014	Imaki	F16L 37/56	285/119
2015/0028736	A1 *	1/2015	Derhaeg	H01J 5/60	313/39

OTHER PUBLICATIONS

Drawings from preliminary request for proposal of potential customer, effective date: May 6, 2015 The attached drawings are drawings of a socket that were included in a communication from a potential customer requesting information on a possible quote to design and manufacture a base for use with the socket.

* cited by examiner

Primary Examiner — Daniel Bui

Assistant Examiner — Shawn T Gingrich

(74) *Attorney, Agent, or Firm* — Cantor Colburn LLP

(57) **CLAIM**

The ornamental design for a base for high pressure lamp, as shown and described.

DESCRIPTION

FIG. 1 is a front perspective view of an embodiment of a base for high pressure lamp.

FIG. 2 is a rear perspective view of the embodiment of FIG. 1.

FIG. 3 is a front planar view of the embodiment of FIG. 1.

FIG. 4 is a rear planar view of the embodiment of FIG. 1.

FIG. 5 is a right side planar view of the embodiment of FIG. 1.

FIG. 6 is a left side planar view of the embodiment of FIG. 1.

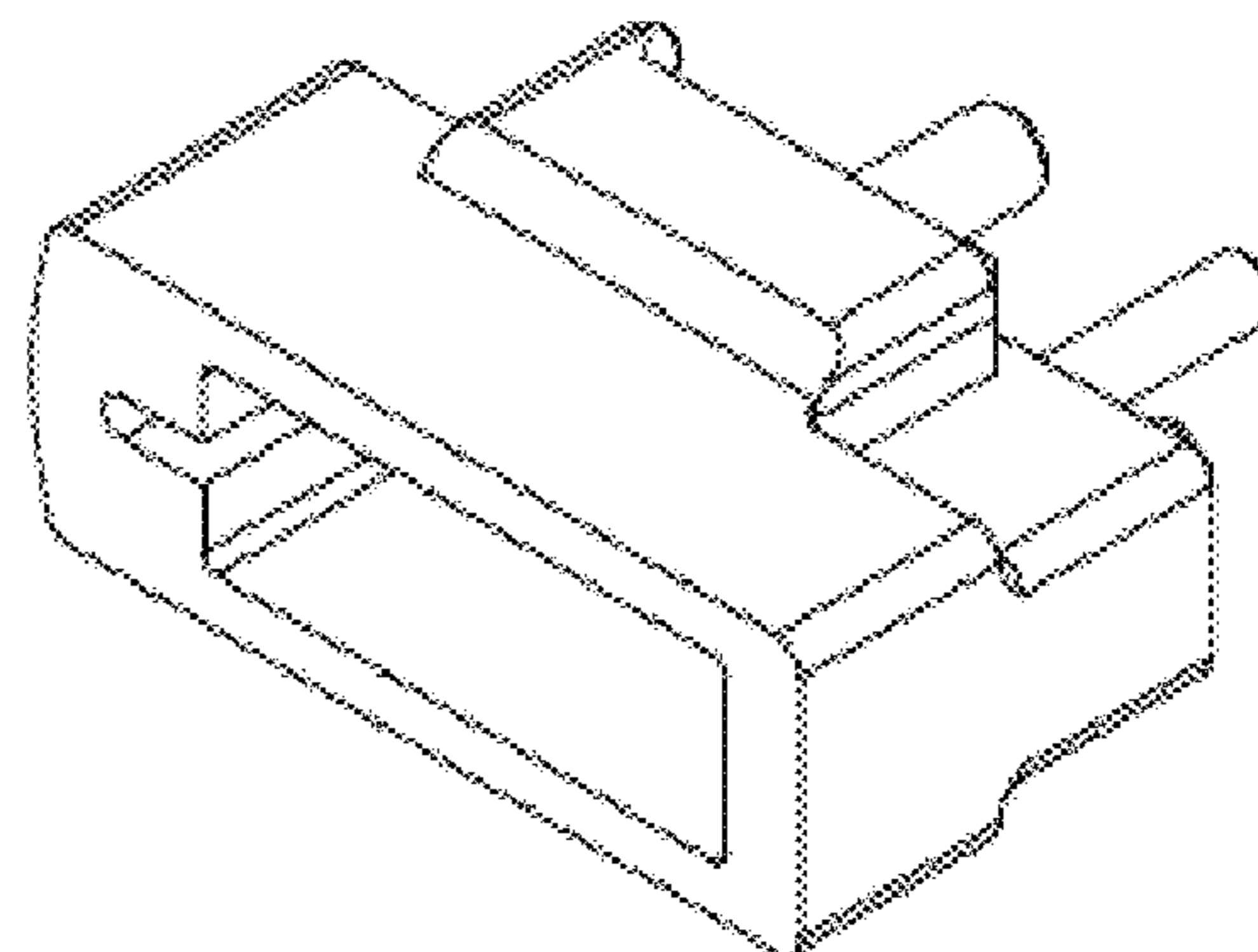
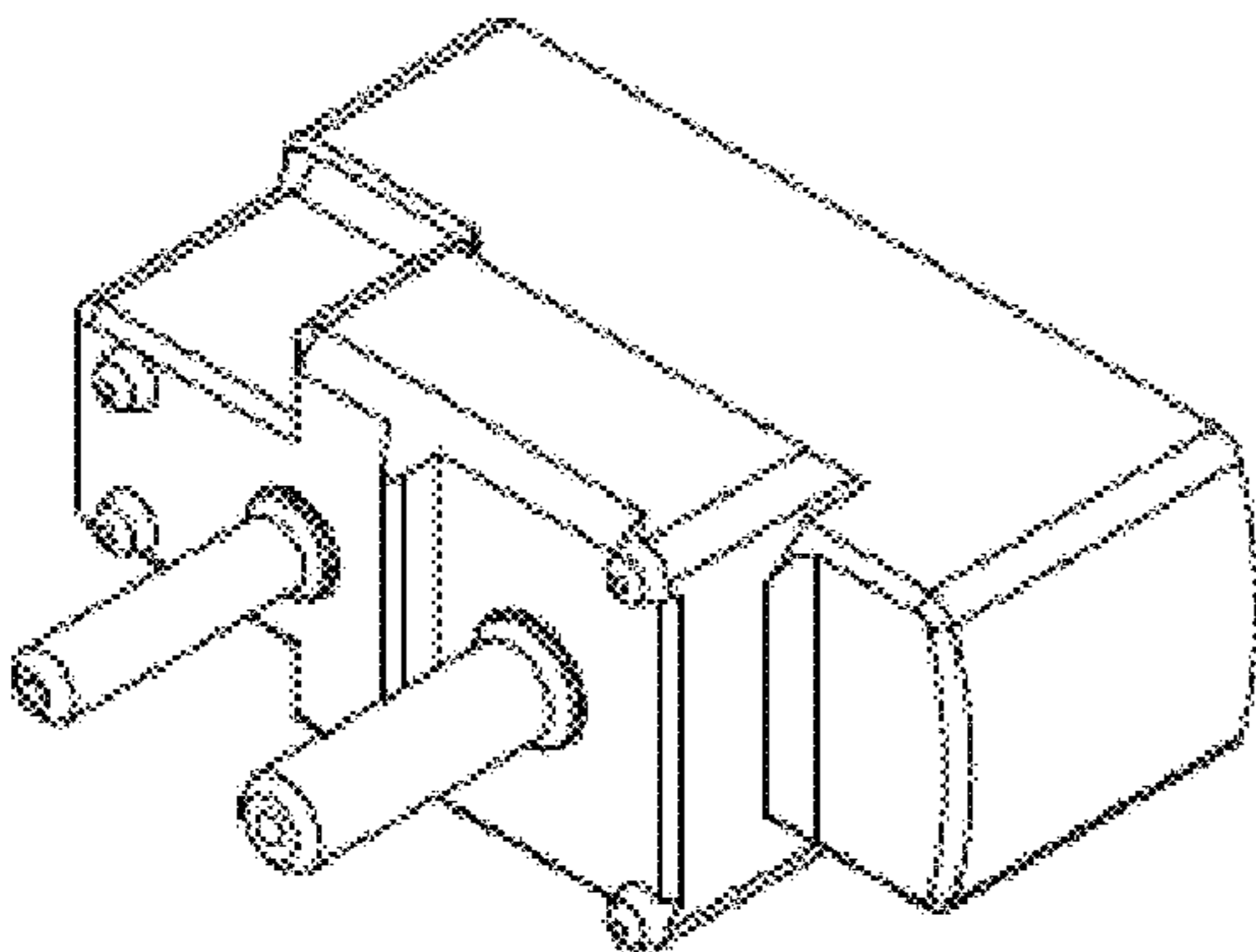
FIG. 7 is a top planar view of the embodiment of FIG. 1; and,

FIG. 8 is a bottom planar view of the embodiment of FIG. 1.

The broken lines in the drawings are for the purpose of illustrating portions of the base for high pressure lamp that form no part of the claimed design.

The broken line portion of the figure drawings is included to show portions of the article that form no part of the claimed design.

1 Claim, 2 Drawing Sheets



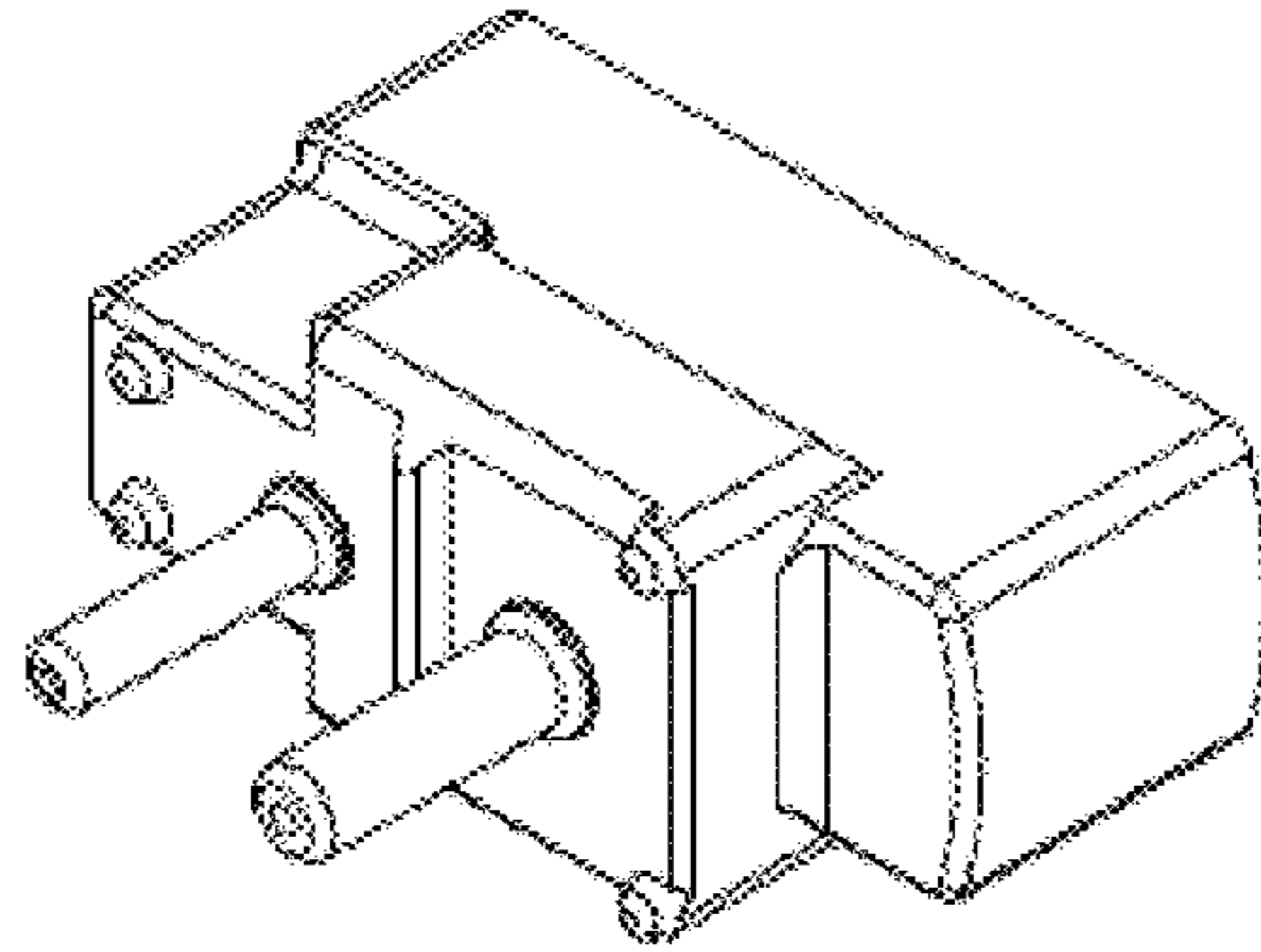


FIG. 1

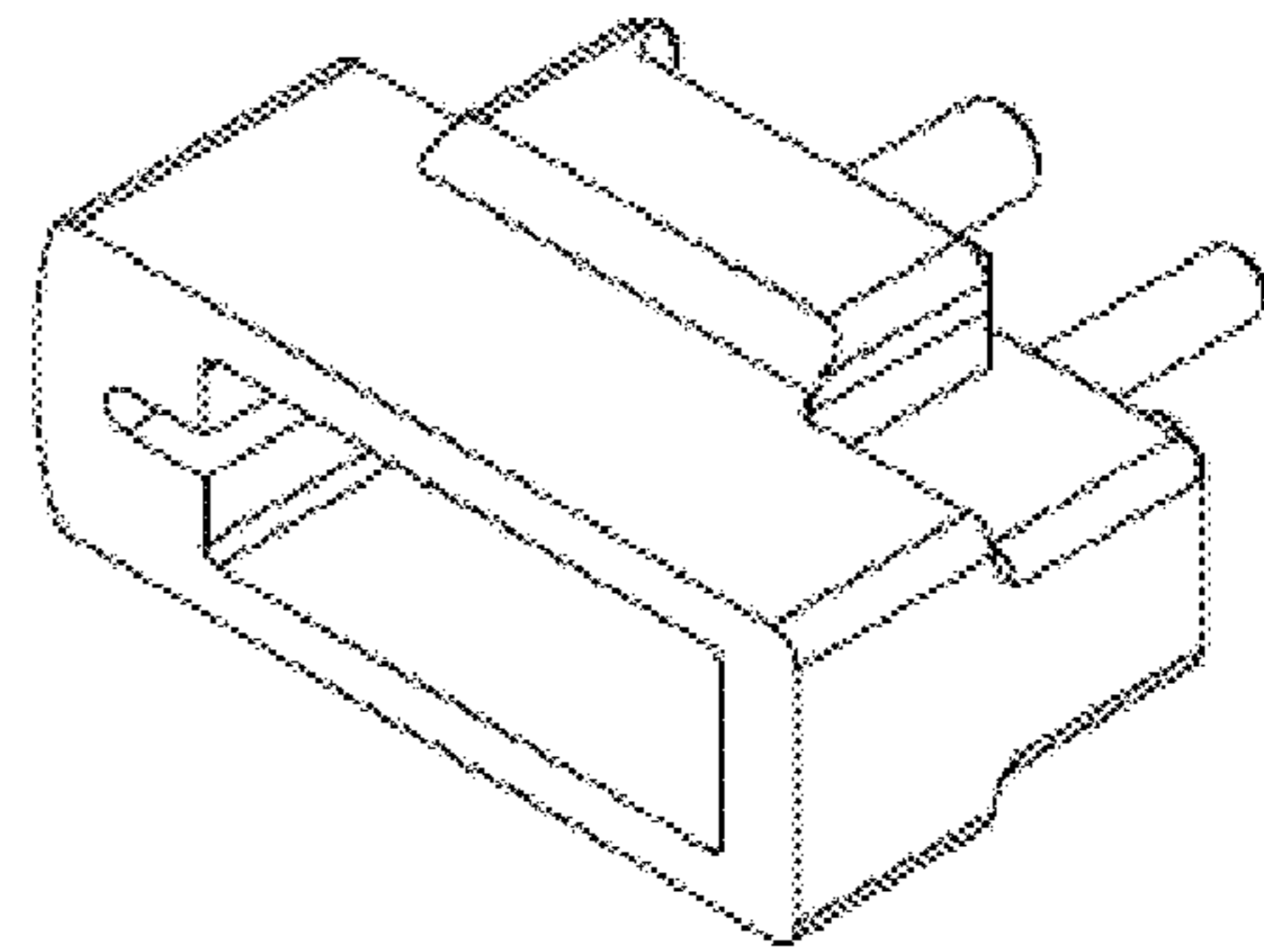


FIG. 2

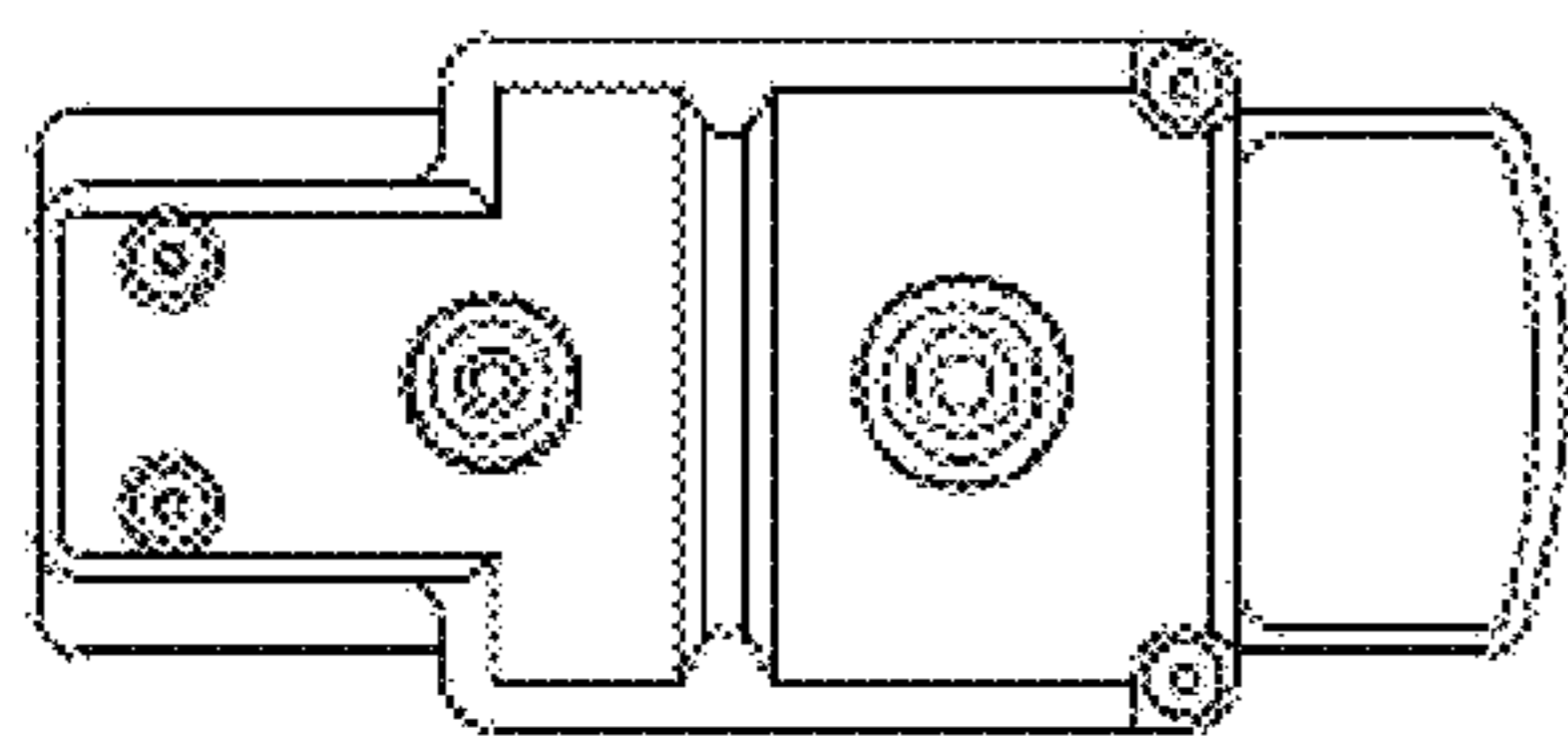


FIG. 3

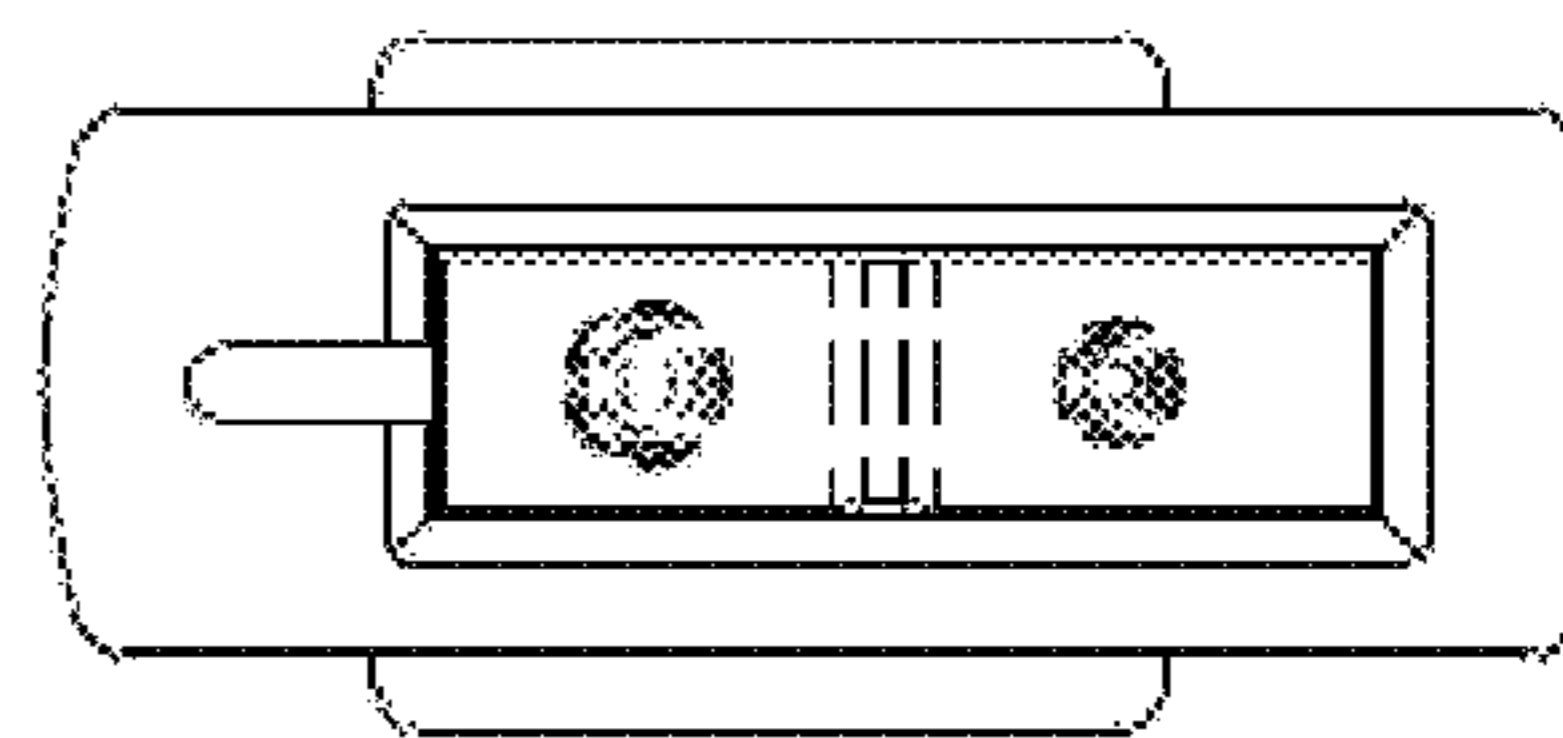


FIG. 4

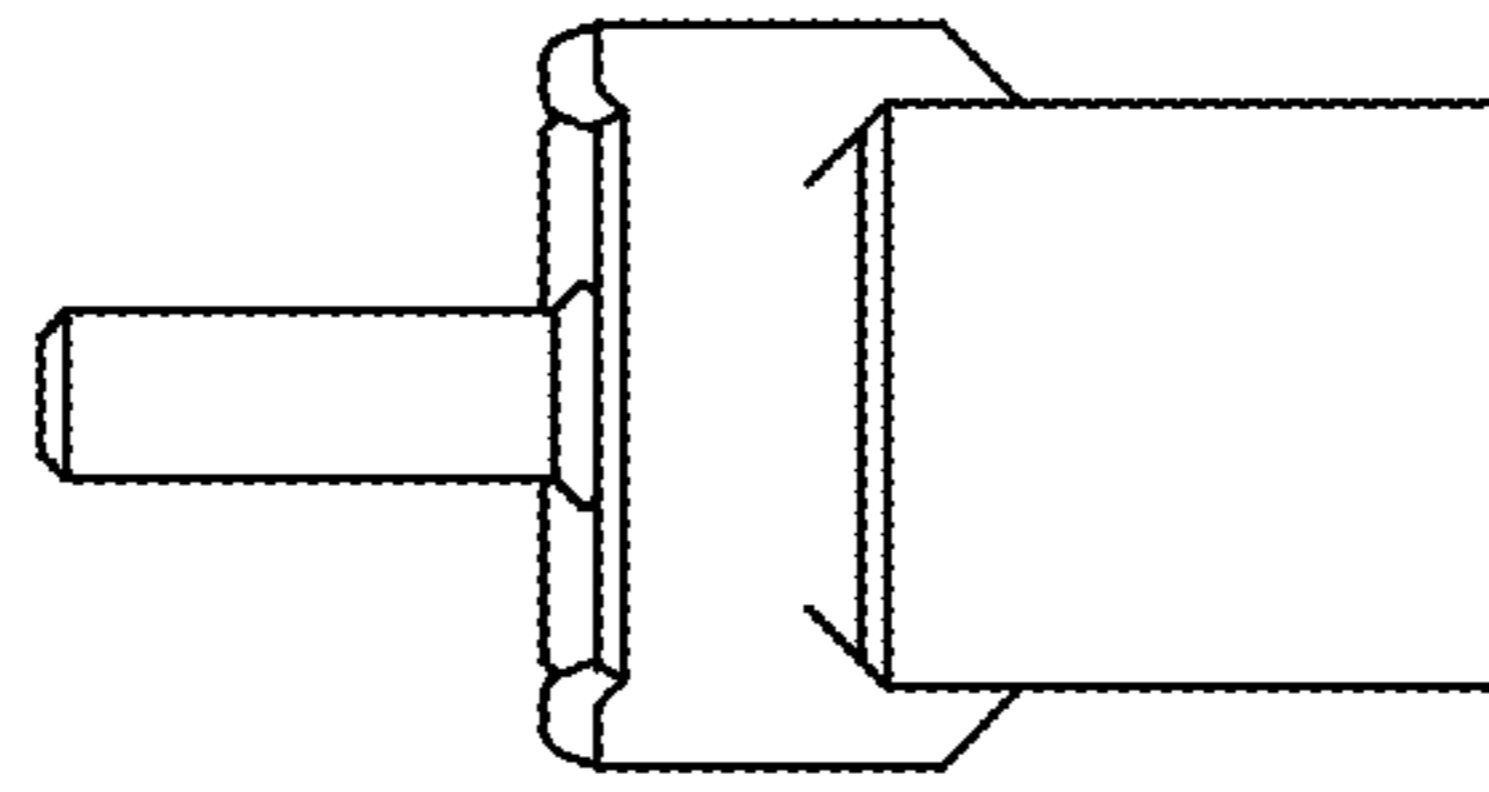


FIG. 5

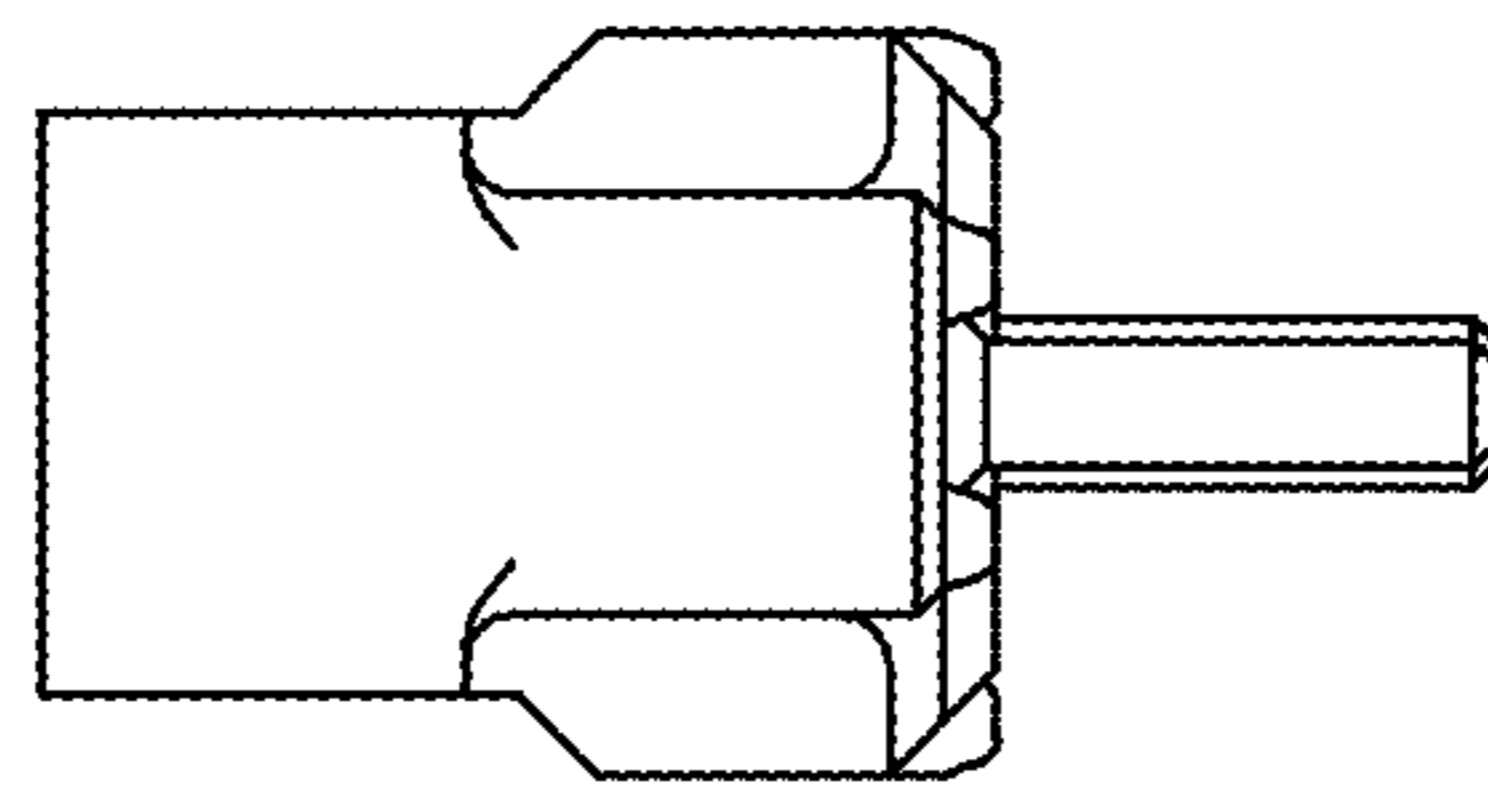


FIG. 6

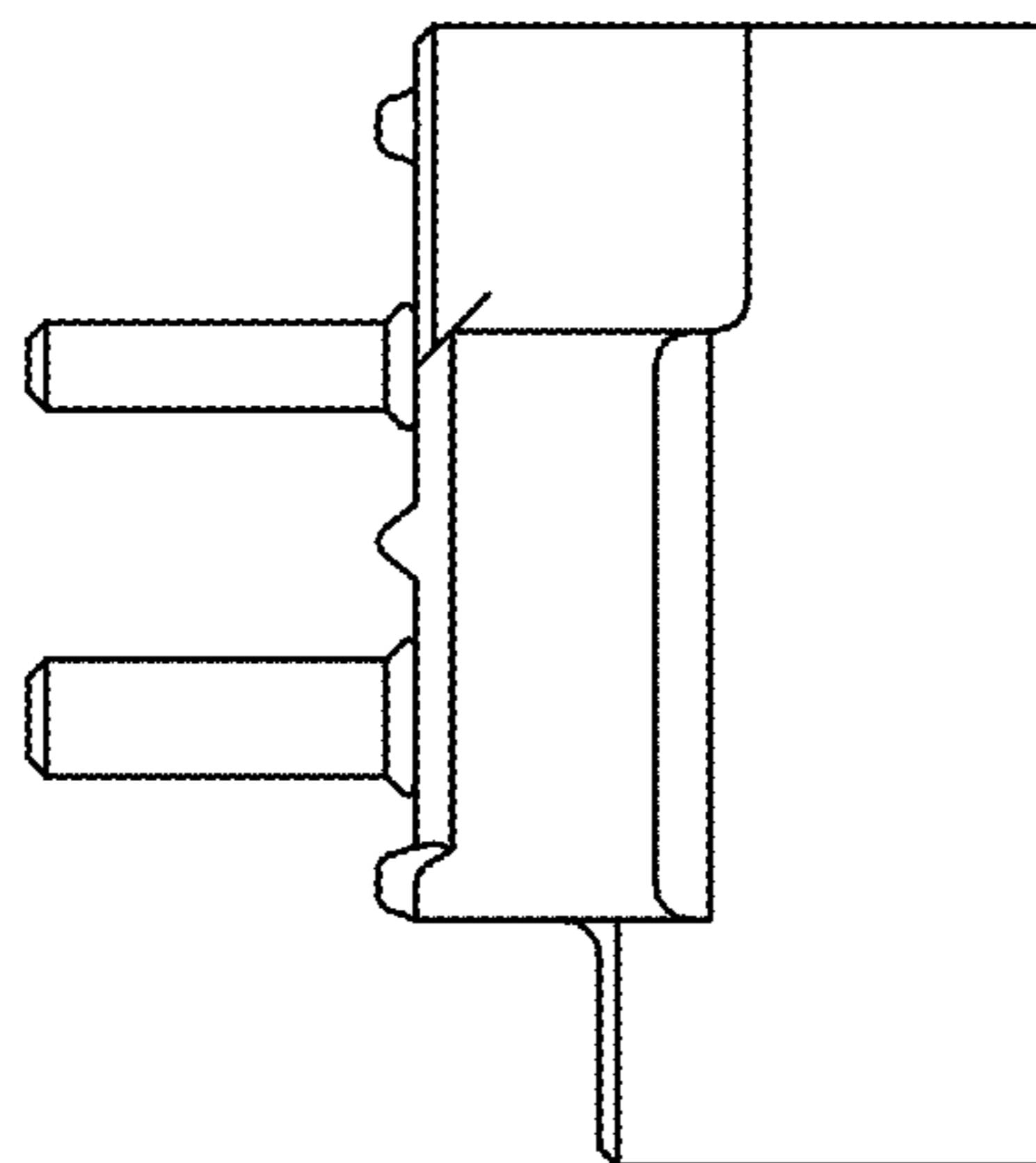


FIG. 7

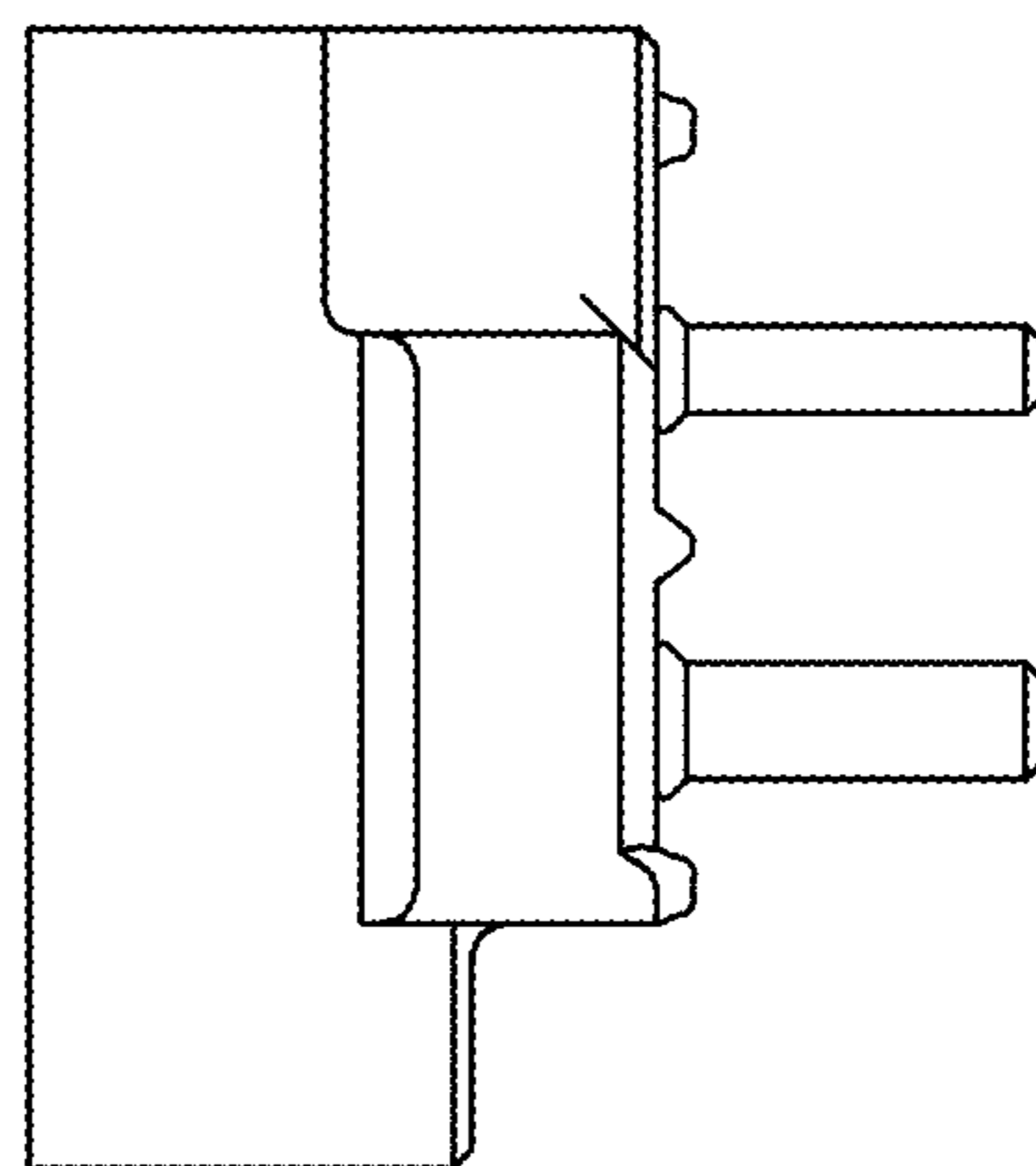


FIG. 8