



US00D768080S

(12) **United States Design Patent** (10) **Patent No.:** **US D768,080 S**
Parks (45) **Date of Patent:** **** Oct. 4, 2016**

- (54) **AUTOMOTIVE PLUG**
- (71) Applicant: **Dave Parks**, Cottonwood Heights, UT (US)
- (72) Inventor: **Dave Parks**, Cottonwood Heights, UT (US)
- (73) Assignee: **Dave Parks**, Cottonwood Heights, UT (US)
- (**) Term: **15 Years**
- (21) Appl. No.: **29/530,976**
- (22) Filed: **Jun. 22, 2015**
- (51) **LOC (10) Cl.** **13-03**
- (52) **U.S. Cl.**
USPC **D13/133; D13/137.1**
- (58) **Field of Classification Search**
USPC D13/101, 107, 112, 113, 118, 120, 123, D13/129-135, 149, 151, 154, 173, 184, 199
CPC H01R 33/00; H01R 13/00; H01R 13/44; H01R 13/62; H01R 13/63; H01H 9/00; H01H 9/02; H02G 3/14; H02J 7/00; H02B 1/01; F02N 17/00; B60L 1/02
See application file for complete search history.

5,803,216 A	9/1998	McNaught	
D399,187 S *	10/1998	Kay	D13/146
5,919,048 A	7/1999	Slattery	
6,205,967 B1	3/2001	Alvine	
D449,581 S *	10/2001	Bosatelli	D13/146
6,749,438 B1 *	6/2004	Scheller	B60D 1/62 439/35
6,854,575 B1	2/2005	Desormeaux et al.	
7,022,943 B1	4/2006	Barta	
7,554,034 B2 *	6/2009	Smith	H01R 13/5213 174/135
D602,433 S *	10/2009	Katou	D13/120
D614,573 S *	4/2010	Ihde	D12/162
7,753,701 B2	7/2010	Tsuji	
8,011,704 B2	9/2011	Nees et al.	
D646,224 S *	10/2011	Guo	D13/147
D698,729 S *	2/2014	Fukushima	D13/146
2011/0267797 A1	11/2011	Clark et al.	
2014/0262665 A1	9/2014	Giles	

* cited by examiner

Primary Examiner — Thomas Johannes
Assistant Examiner — Shawn T Gingrich
(74) *Attorney, Agent, or Firm* — Thorpe North & Western, LLP

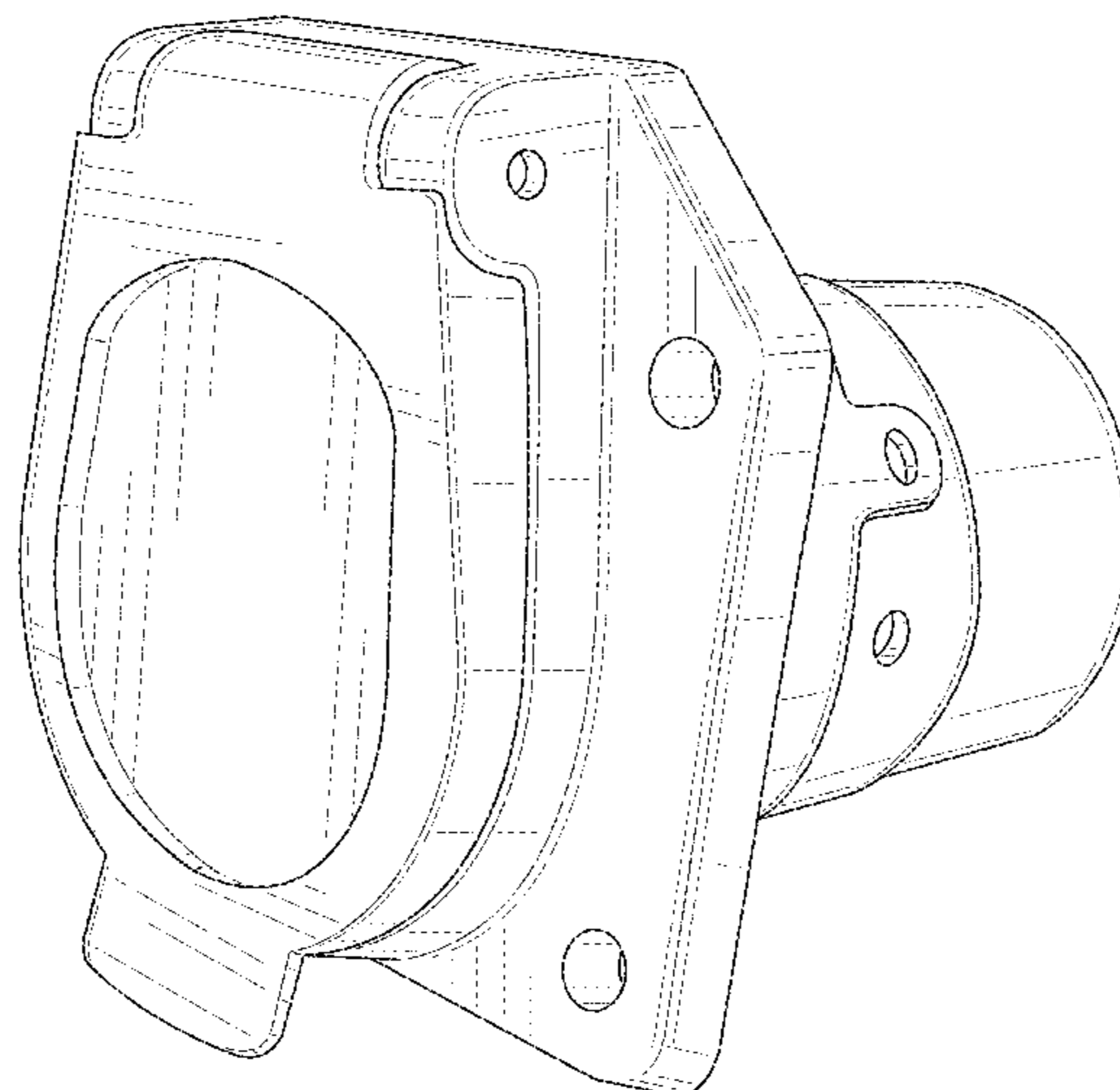
(57) **CLAIM**
The ornamental design for the automotive plug, as shown and described.

DESCRIPTION

FIG. 1 is a perspective view of my automotive plug in accordance with my invention;
FIG. 2 is a bottom view thereof;
FIG. 3 is a top view thereof;
FIG. 4 is a side view thereof;
FIG. 5 is an opposing side view thereof;
FIG. 6 is a front view thereof; and,
FIG. 7 is a rear view thereof.
The broken line portion of the figure drawings is included to show portions of the article that form no part of the claimed design.

1 Claim, 7 Drawing Sheets

- (56) **References Cited**
U.S. PATENT DOCUMENTS
- | | | | |
|---------------|---------|-----------------|----------------------|
| 3,270,267 A | 8/1966 | Nolte, Jr. | |
| 4,067,635 A | 1/1978 | Solberg | |
| 4,829,223 A | 5/1989 | Broberg et al. | |
| 4,842,108 A | 6/1989 | Anderson et al. | |
| 4,971,576 A | 11/1990 | Thimmesch | |
| 5,021,633 A | 6/1991 | Schaefer | |
| 5,252,078 A | 10/1993 | Langenbahn | |
| D344,490 S * | 2/1994 | Nociar | D13/146 |
| D361,313 S * | 8/1995 | Sai | D13/146 |
| 5,538,439 A | 7/1996 | Fell et al. | |
| D374,212 S * | 10/1996 | Fukao | D13/146 |
| 5,571,023 A * | 11/1996 | Anthony | H02G 3/14
220/242 |



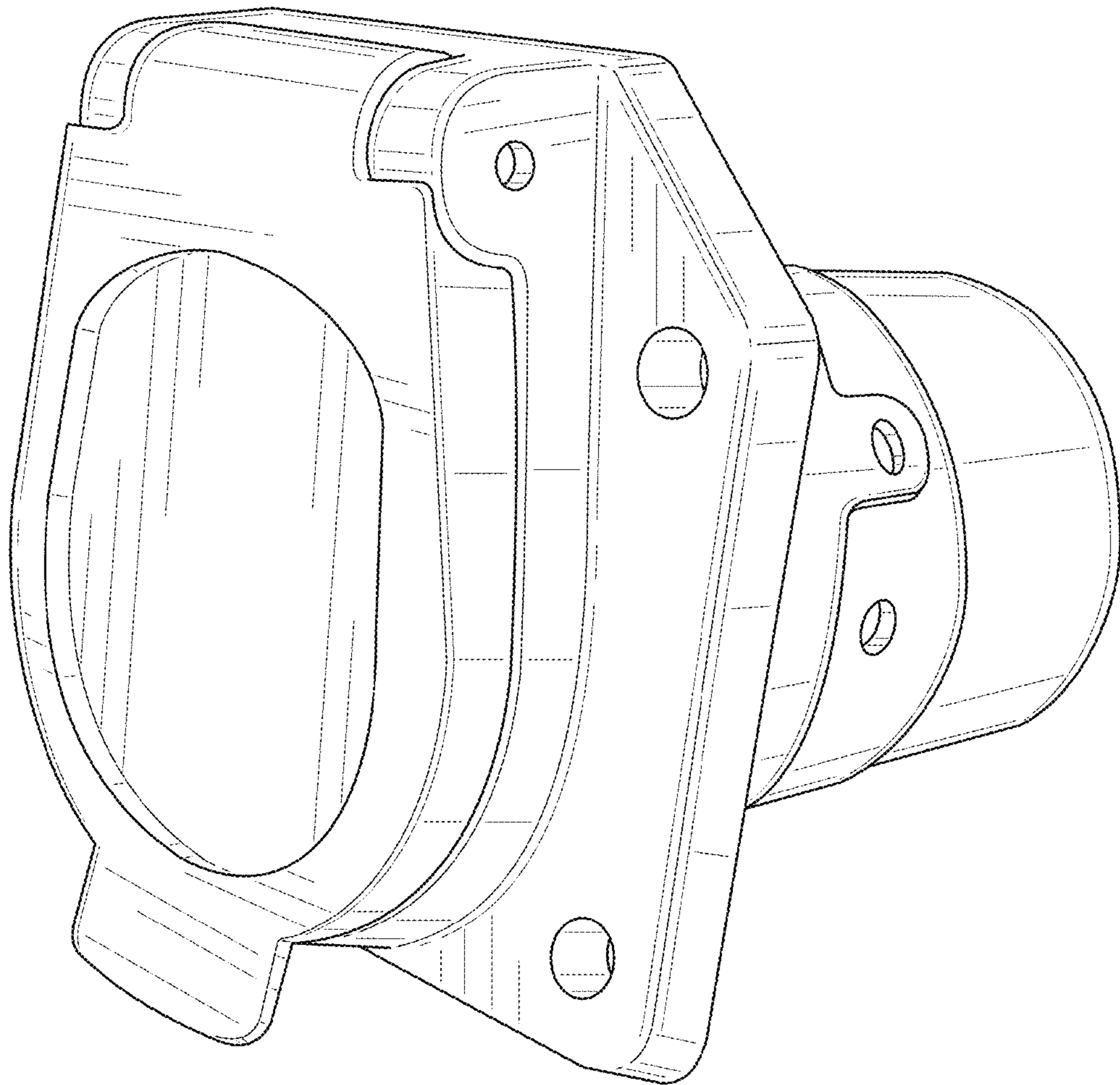


FIG. 1

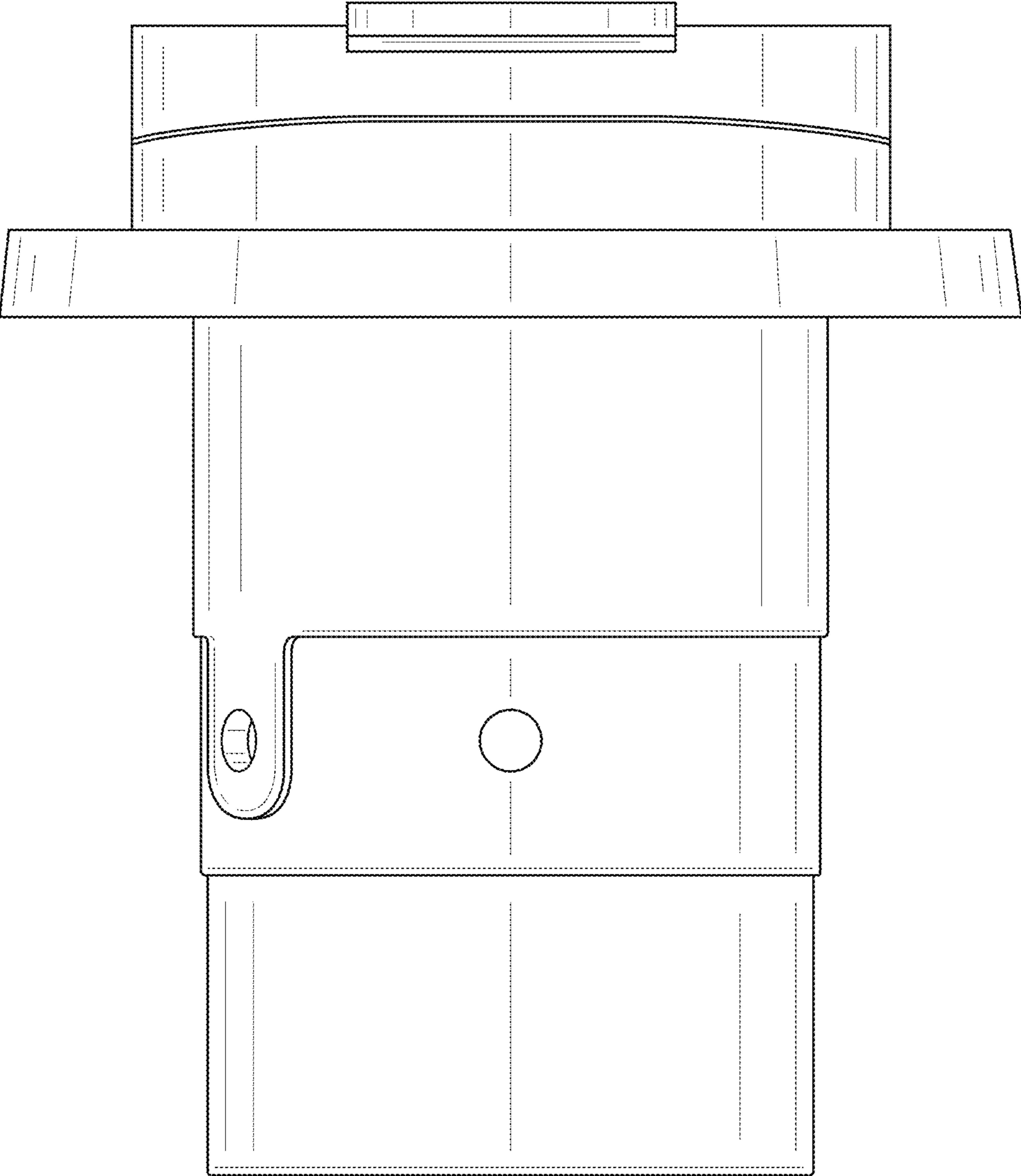


FIG. 2

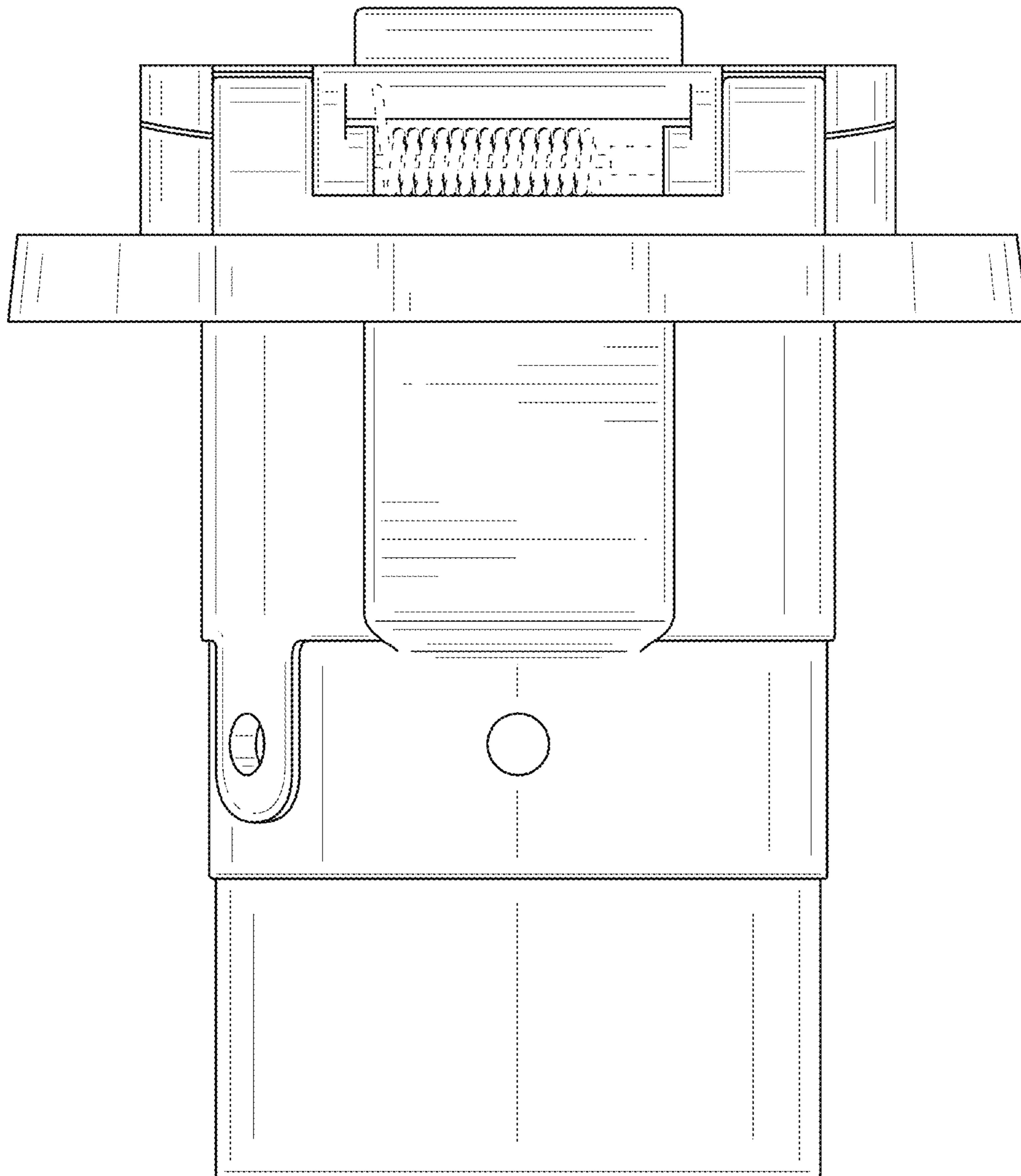


FIG. 3

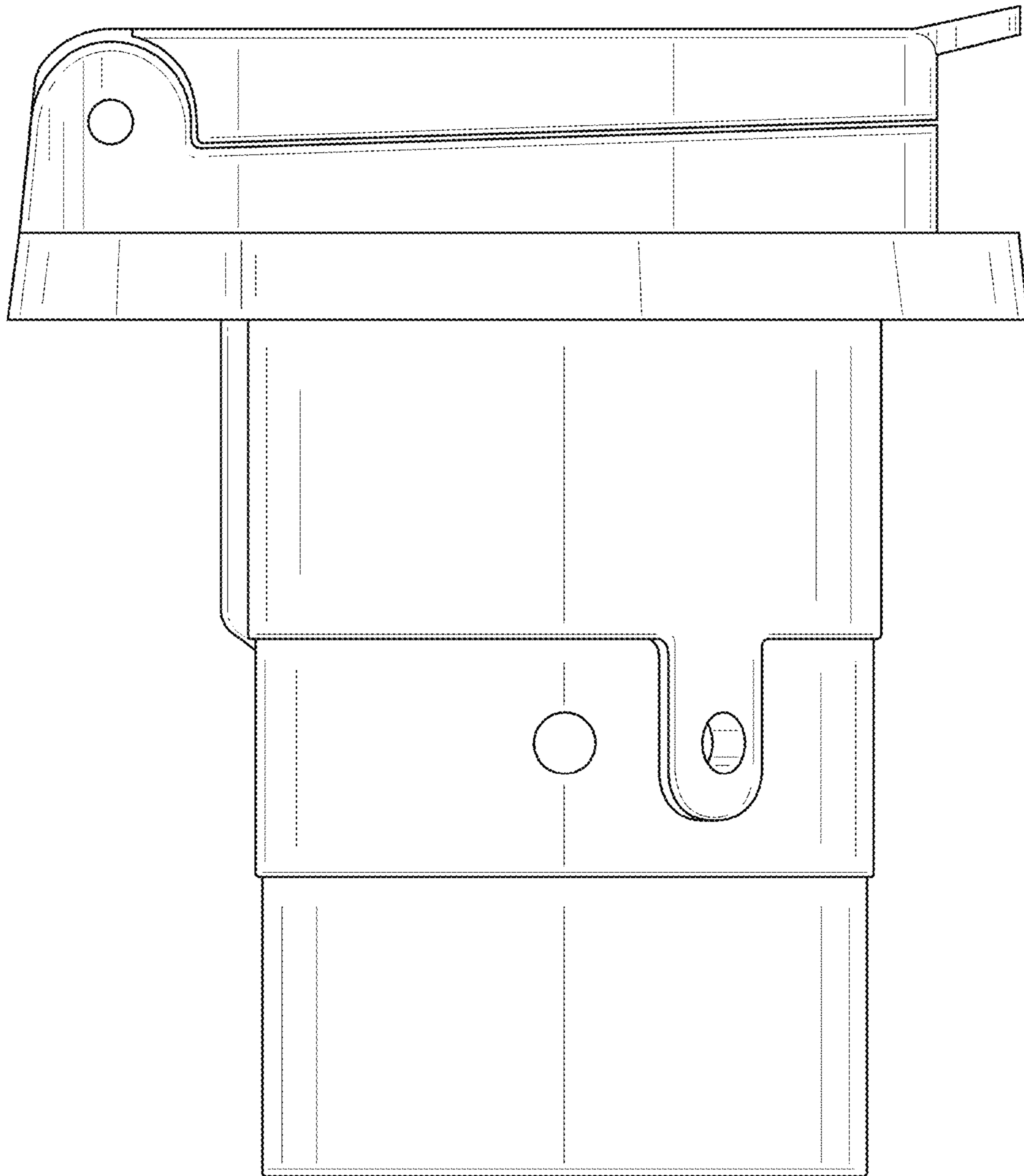


FIG. 4

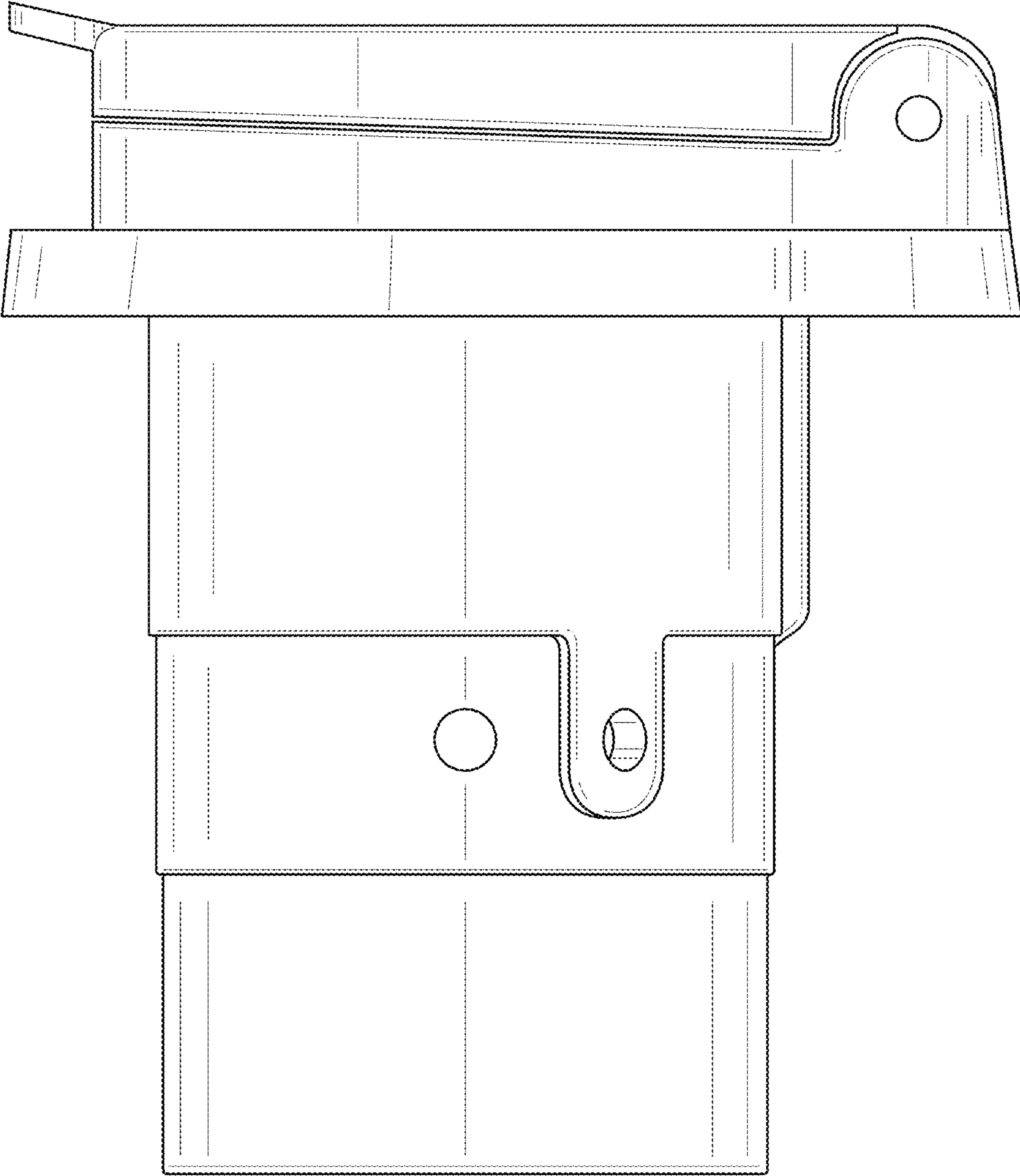


FIG. 5

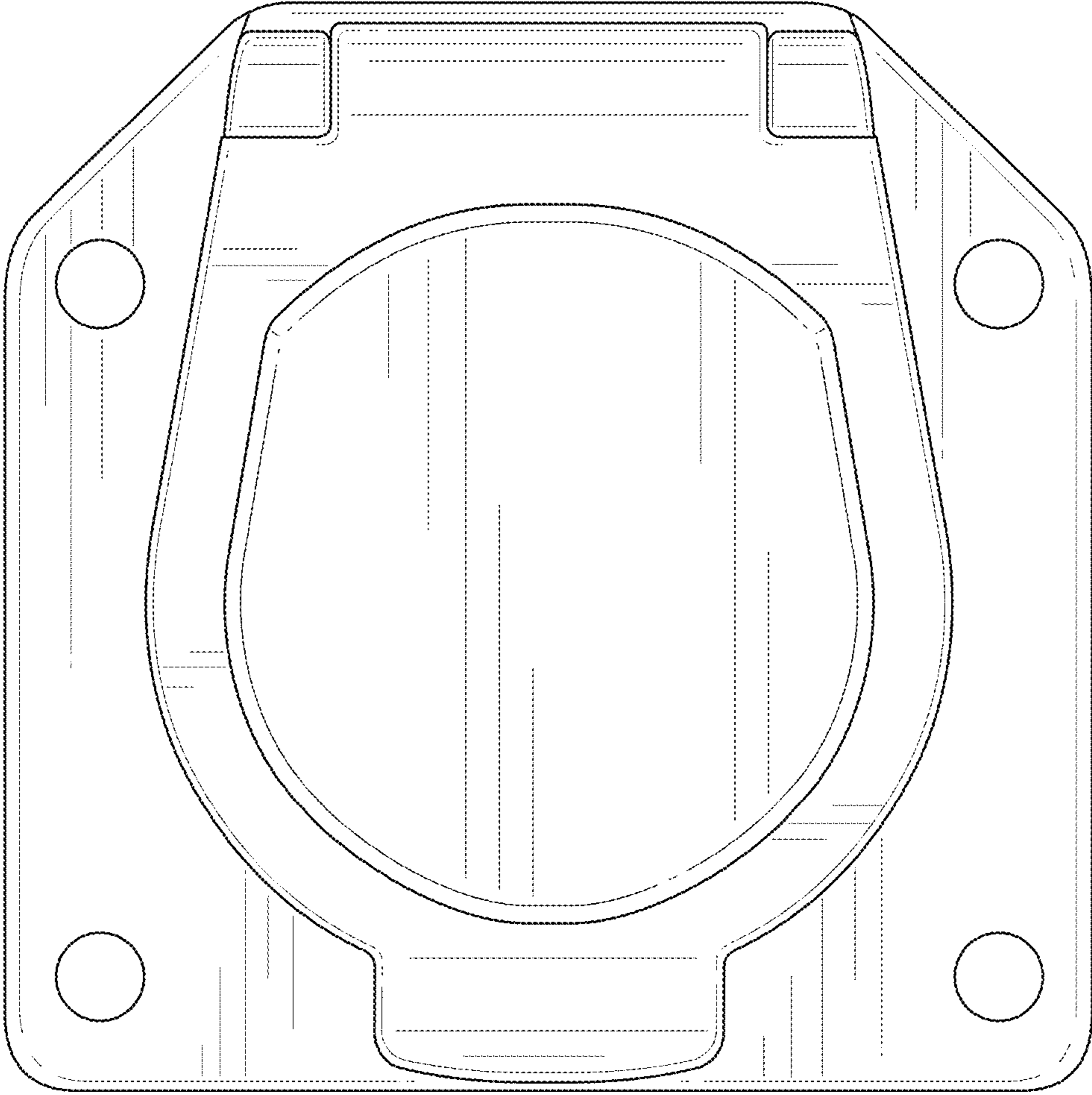


FIG. 6

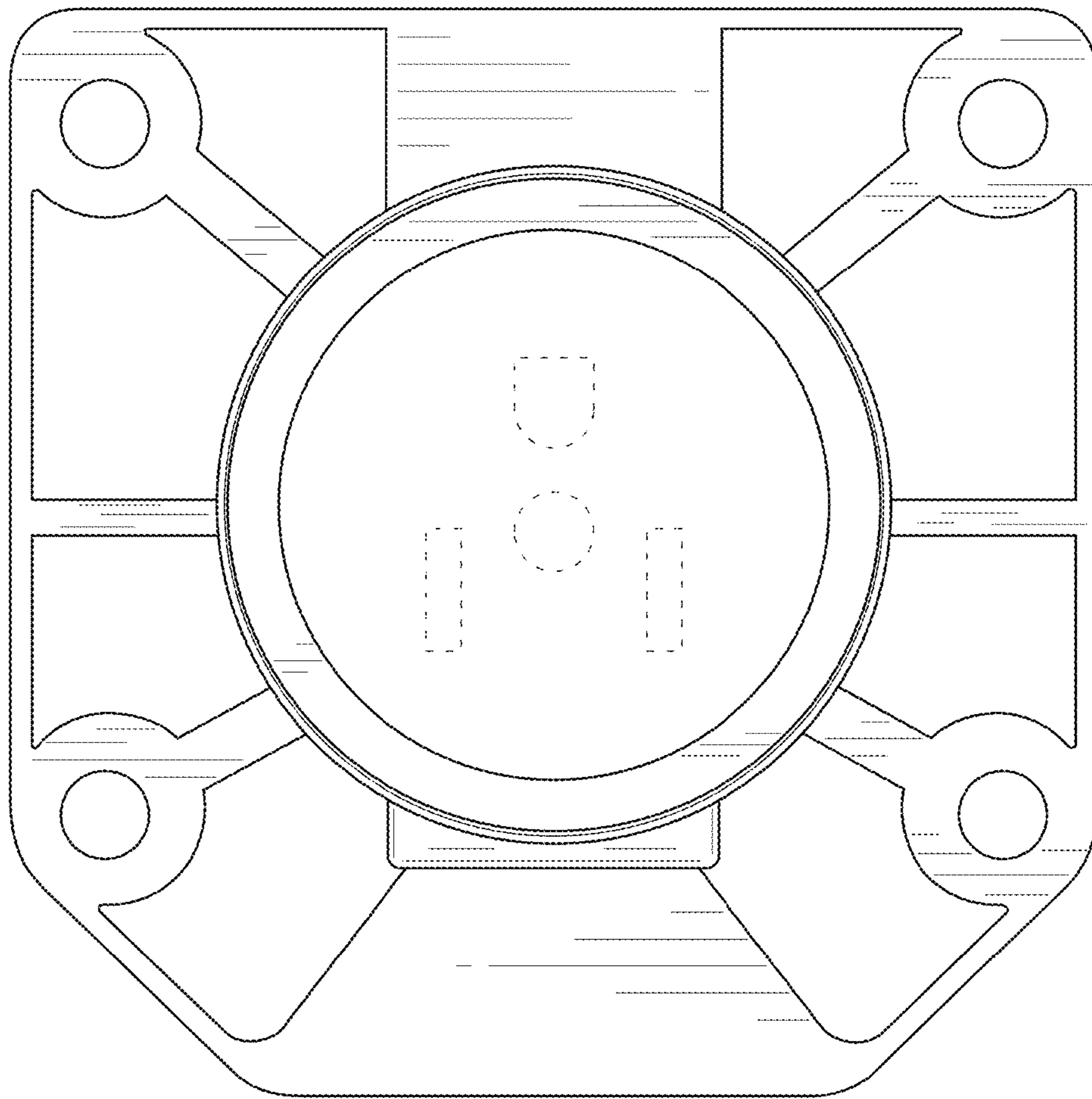


FIG. 7