



US00D768078S

(12) **United States Design Patent**
Wu

(10) **Patent No.:** **US D768,078 S**

(45) **Date of Patent:** **** Oct. 4, 2016**

(54) **ELECTRICAL MOTOR**

(71) Applicant: **TIMOTION TECHNOLOGY CO., LTD.**, New Taipei (TW)

(72) Inventor: **Chou-Hsin Wu**, New Taipei (TW)

(73) Assignee: **TIMOTION TECHNOLOGY CO., LTD.**, New Taipei (TW)

(**) Term: **15 Years**

(21) Appl. No.: **29/542,700**

(22) Filed: **Oct. 16, 2015**

(51) **LOC (10) Cl.** **13-01**

(52) **U.S. Cl.**
USPC **D13/112**

(58) **Field of Classification Search**
USPC D13/112, 114, 118, 122, 184, 199;
D15/23, 28, 31, 33; 290/1 A, 1 B, 27,
290/31, 32; 307/150, 153; 322/39, 44, 87
CPC H02K 7/00; H02K 7/16; H02K 7/18;
H02K 7/1815; F02B 63/04; F02B 77/11;
F02B 77/13
See application file for complete search history.

(56) **References Cited**

U.S. PATENT DOCUMENTS

D309,288 S * 7/1990 Haverly D13/114
D575,731 S * 8/2008 Gherlenda D13/112
D608,279 S * 1/2010 Lannoch D13/112
D631,436 S * 1/2011 Huang D13/110

D634,272 S * 3/2011 Veeh D13/112
D687,379 S * 8/2013 Palmer D13/112
D705,163 S * 5/2014 Lauper D13/112
D705,164 S * 5/2014 Tsai D13/112
D712,352 S * 9/2014 George D13/112

* cited by examiner

Primary Examiner — Derrick Holland

(74) *Attorney, Agent, or Firm* — Chun-Ming Shih; HDLS IPR Services

(57) **CLAIM**

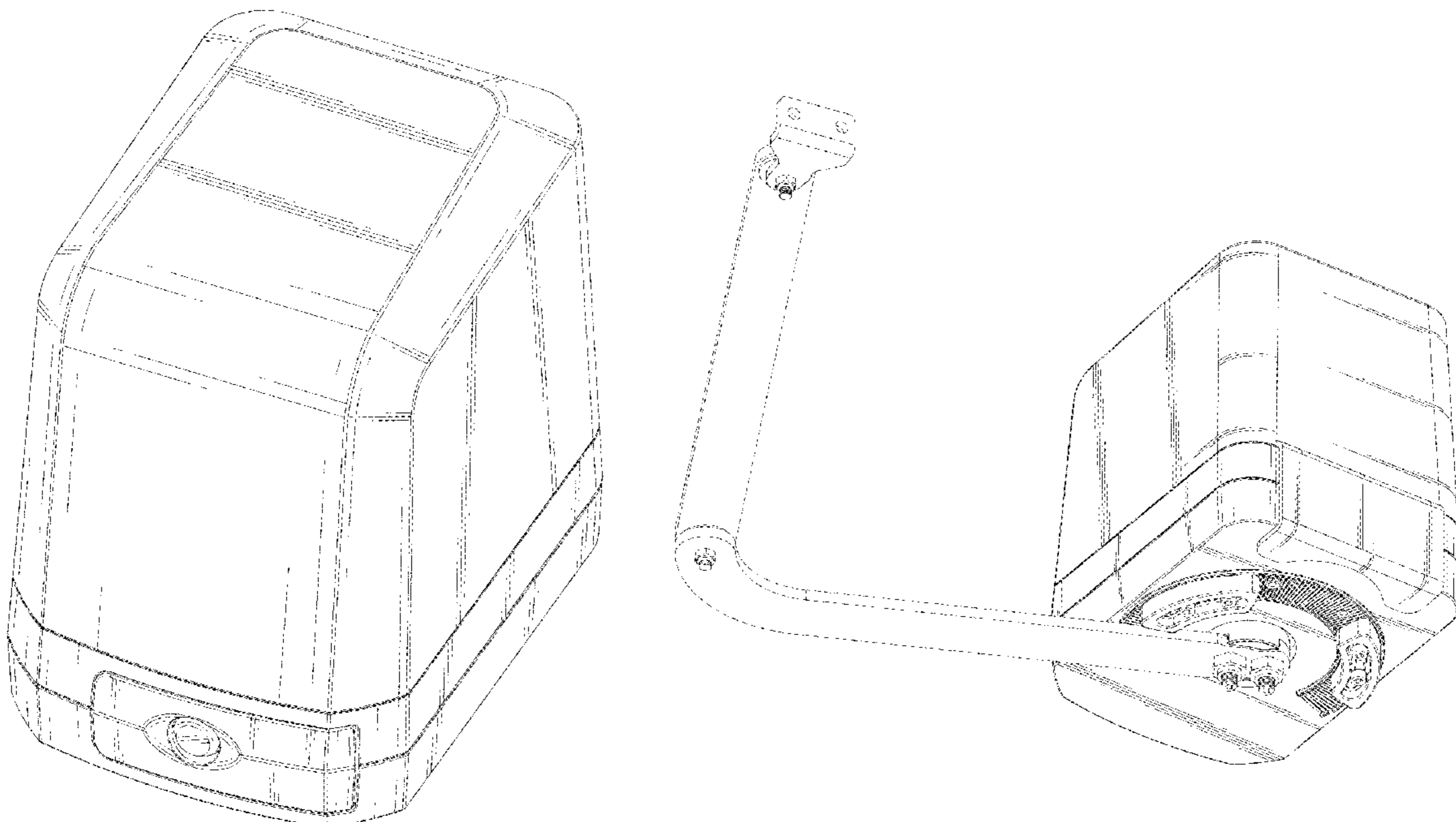
The ornamental design for an electrical motor, as shown and described.

DESCRIPTION

FIG. 1 is a perspective view of an electrical motor showing my new design;
FIG. 2 is a front view thereof;
FIG. 3 is a rear view thereof;
FIG. 4 is a left side view thereof;
FIG. 5 is a right side view thereof;
FIG. 6 is a top view thereof;
FIG. 7 is a bottom view thereof; and
FIG. 8 is second perspective view showing the electrical motor; and,
FIG. 9 is a perspective view showing the electrical motor in use.

The broken lines shown represent unclaimed subject matter and form no part of the claimed design.

1 Claim, 9 Drawing Sheets



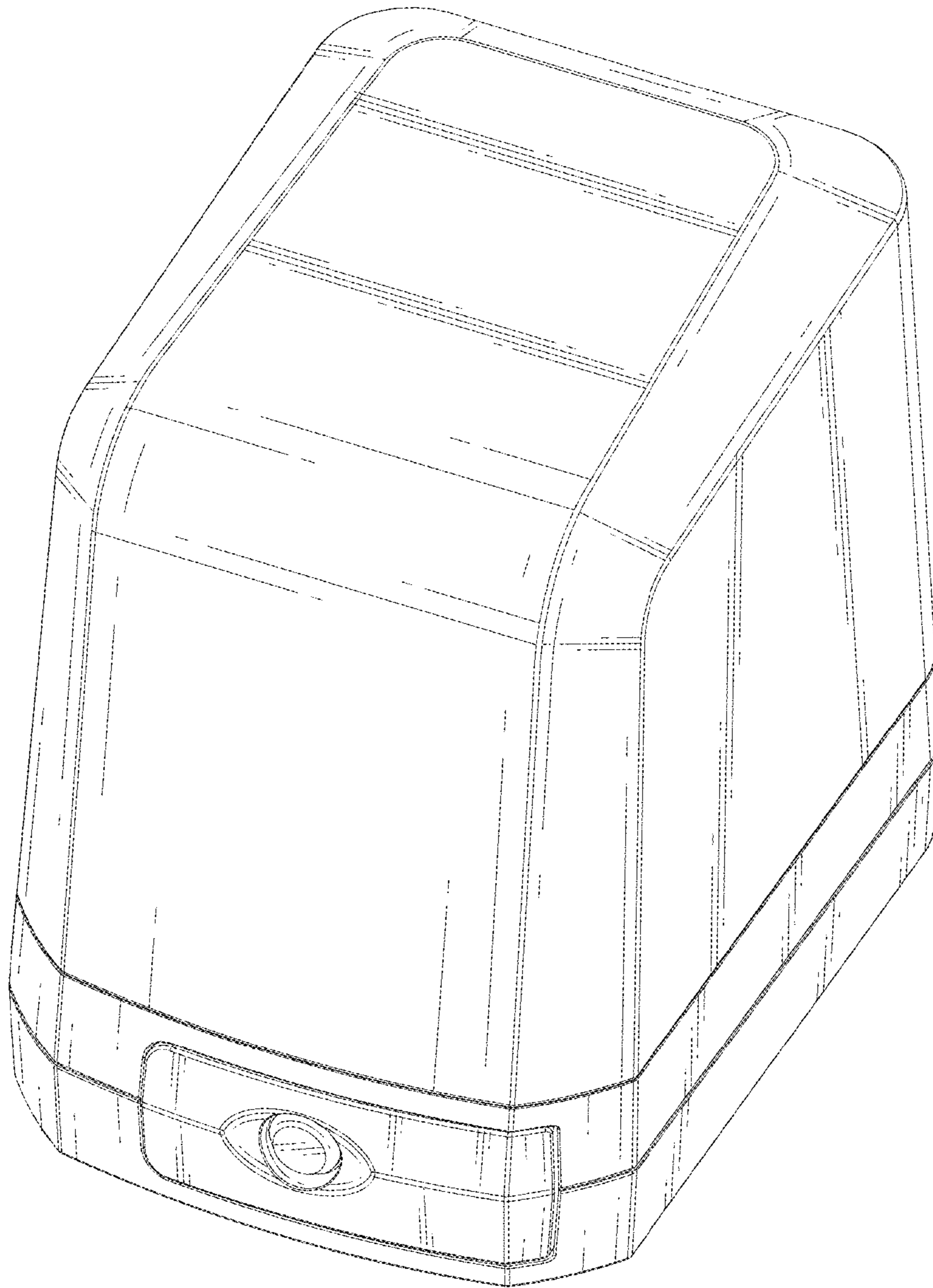


FIG.1

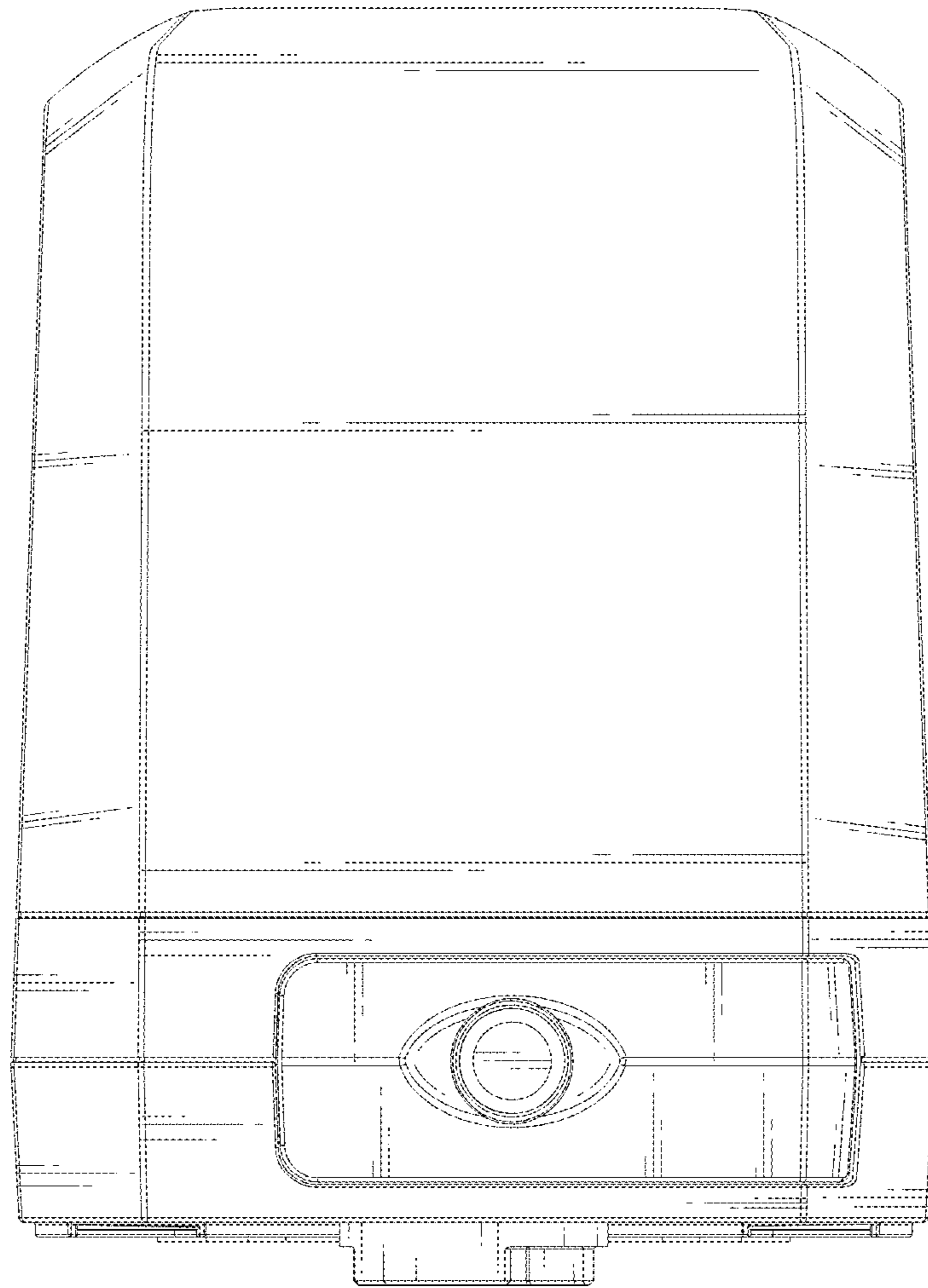


FIG.2

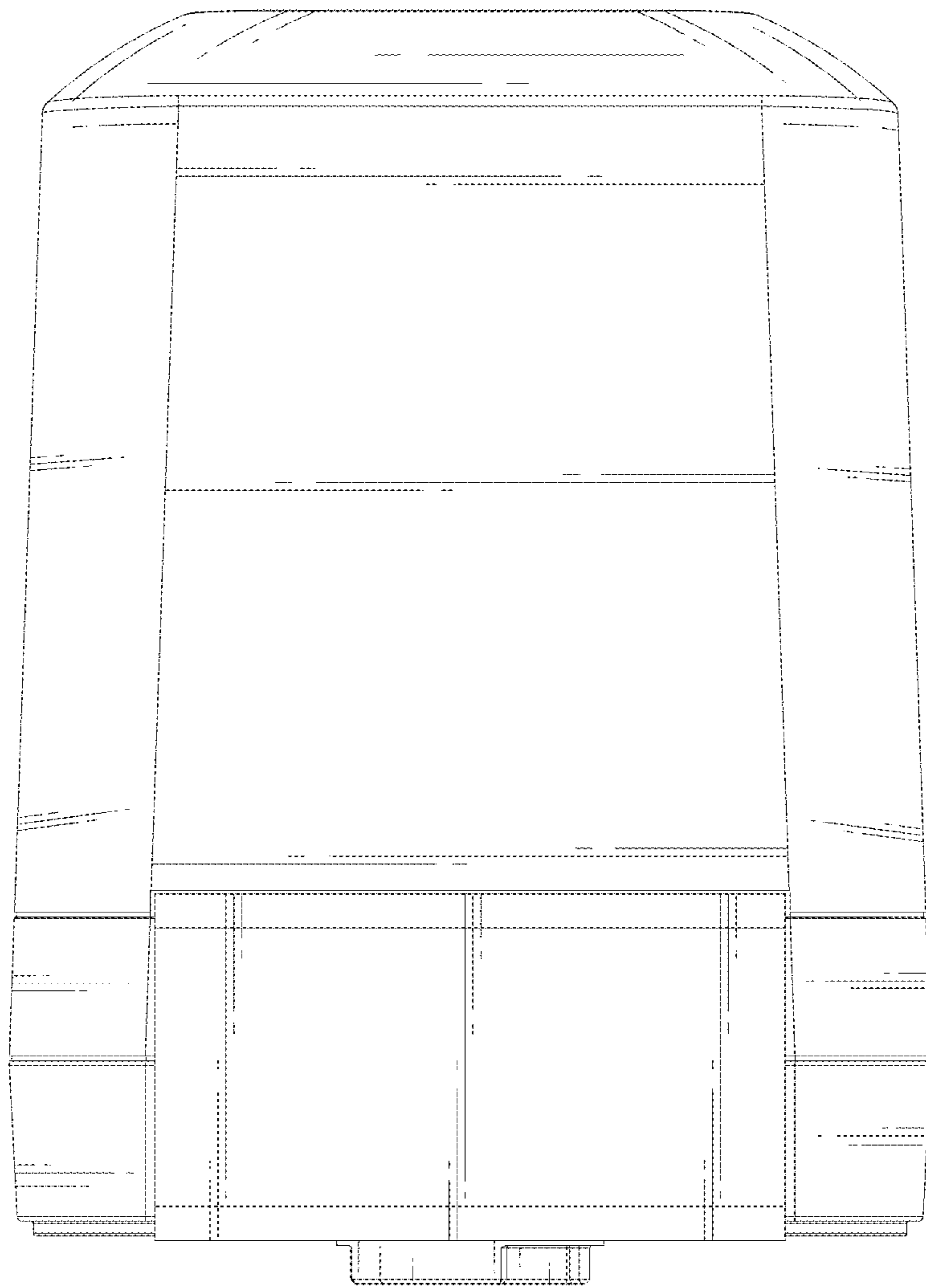


FIG.3

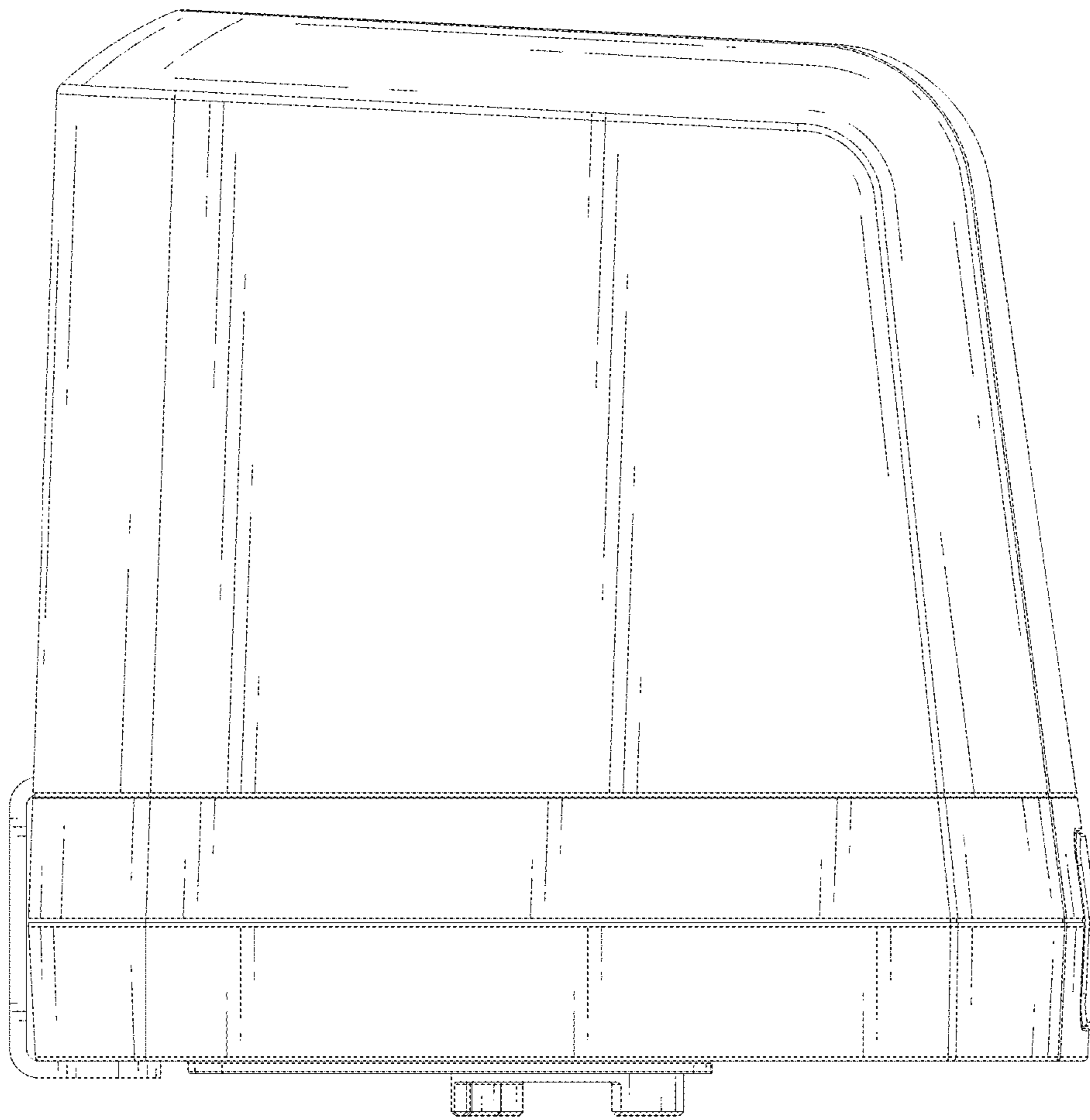


FIG. 4

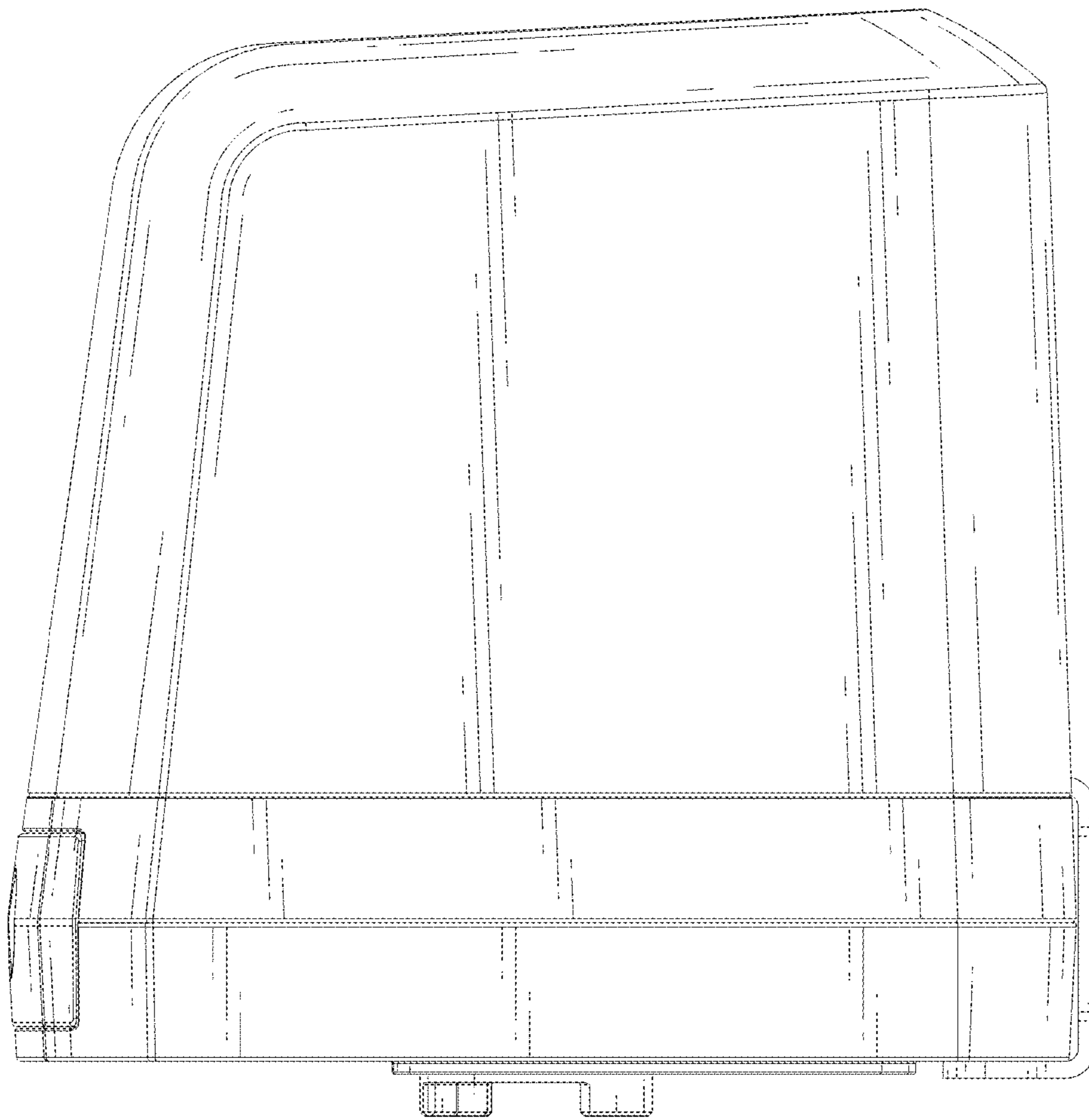


FIG.5

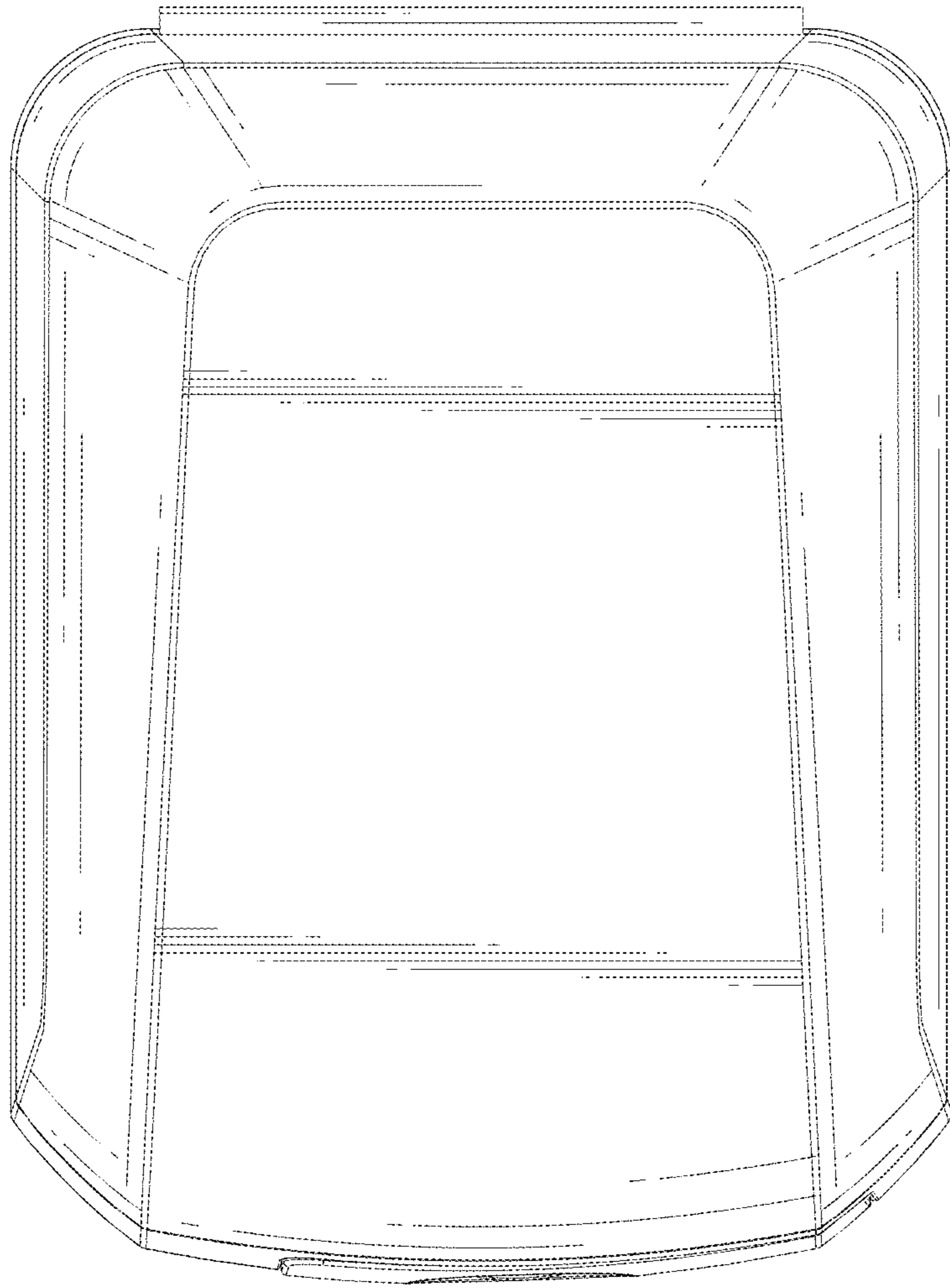


FIG.6

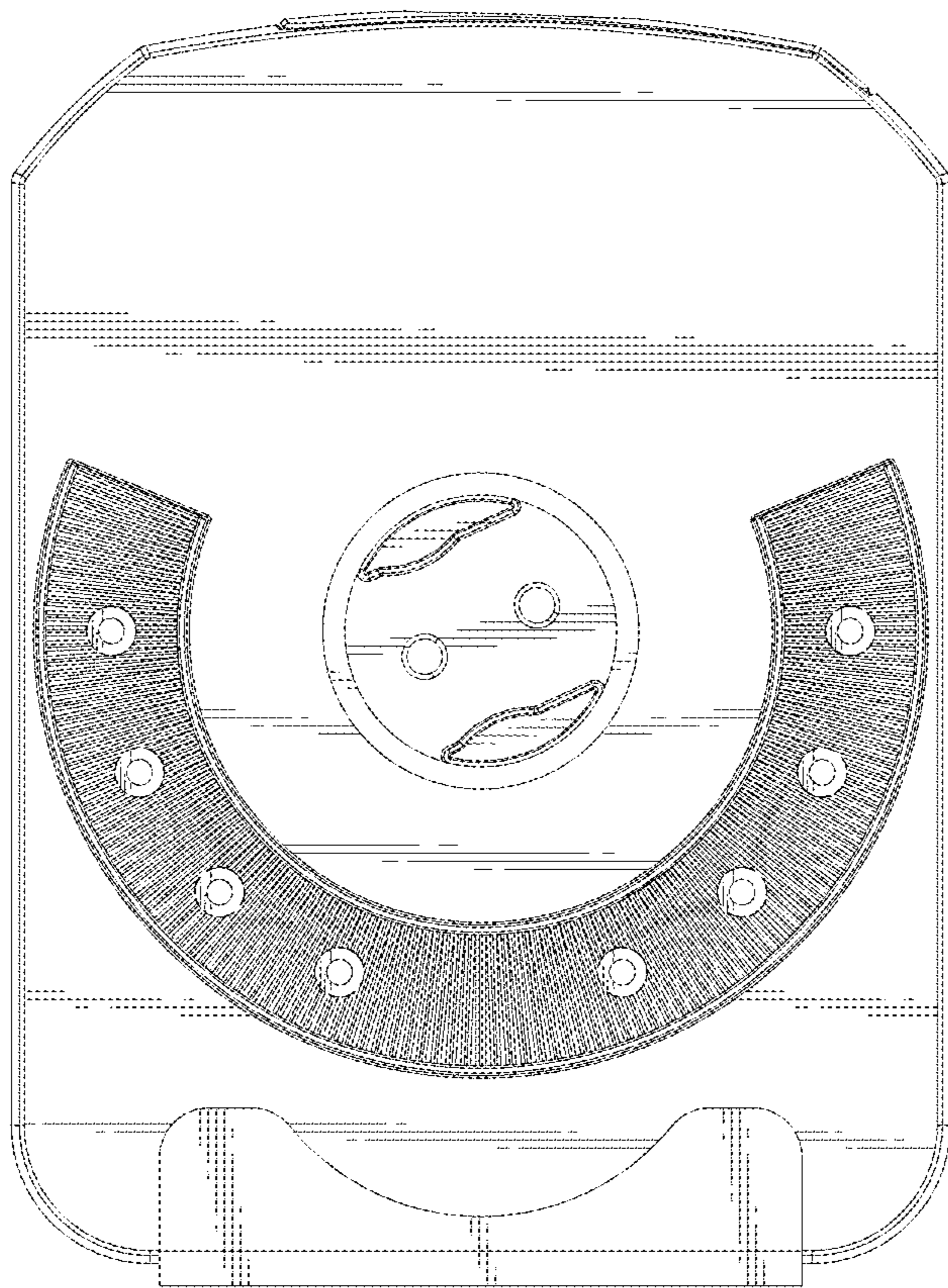


FIG.7

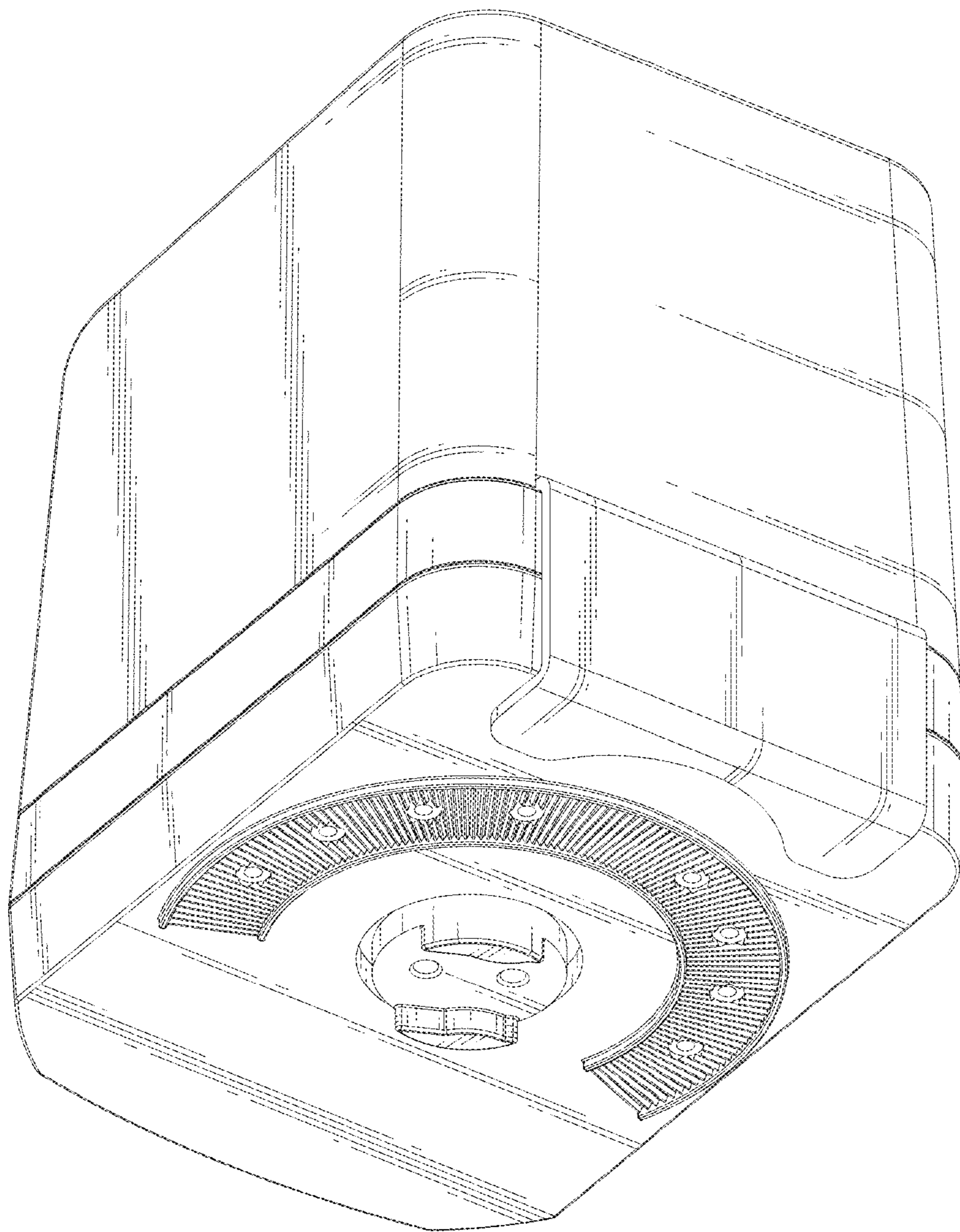


FIG.8

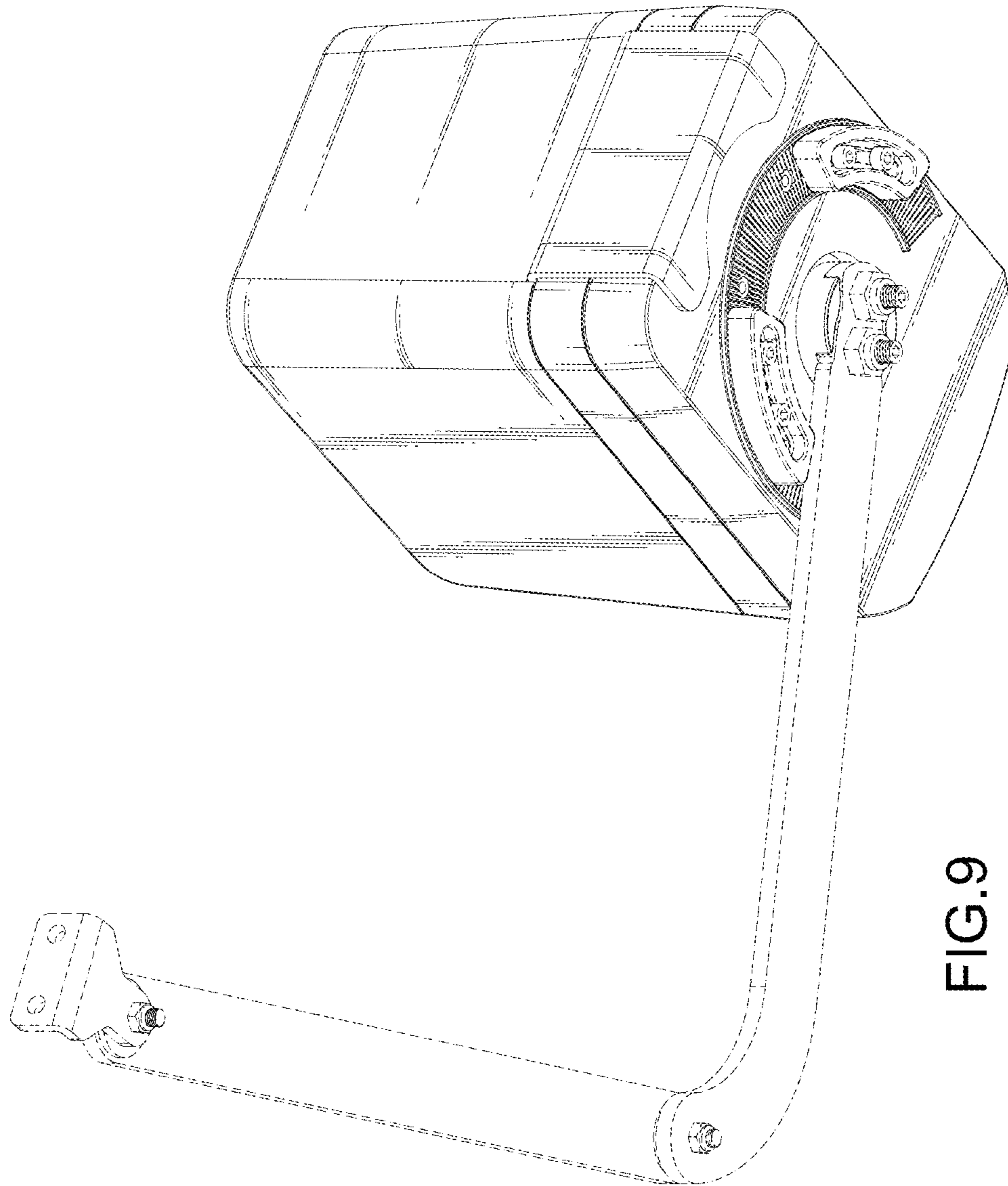


FIG. 9