



US00D768077S

(12) **United States Design Patent**
Wahl

(10) **Patent No.:** **US D768,077 S**

(45) **Date of Patent:** **** Oct. 4, 2016**

(54) **WIRELESS CHARGING FIXTURE**

(71) Applicant: **Inter IKEA Systems B.V.**, Delft (NL)

(72) Inventor: **David Wahl**, Stockholm (SE)

(73) Assignee: **INTER IKEA SYSTEMS B.V.** (NL)

(**) Term: **15 Years**

(21) Appl. No.: **29/528,914**

(22) Filed: **Jun. 2, 2015**

(30) **Foreign Application Priority Data**

Dec. 2, 2014 (EM) 001429542
Dec. 2, 2014 (EM) 002589234

(51) **LOC (10) Cl.** **13-02**

(52) **U.S. Cl.**
USPC **D13/108; D26/62**

(58) **Field of Classification Search**
USPC D13/107-110, 118-119, 184; D14/251,
D14/253, 432, 434; D26/62
CPC Y02E 60/12; Y02T 90/14; Y02T 90/122;
Y02T 90/128; Y02T 9/163; H02J 7/025;
H02J 7/0042; H02J 7/0044; H02J 7/0045;
H02J 7/0003; H01F 38/14; H01R 13/6675;
H01M 2/1022; H01M 2/1055; H01M 10/44;
H01M 10/46; H01M 10/425; B60L 11/182
See application file for complete search history.

(56) **References Cited**

U.S. PATENT DOCUMENTS

D620,884 S * 8/2010 Lee D13/108
D625,262 S * 10/2010 Lee D13/118
D636,724 S * 4/2011 Nomi D13/108
D654,431 S * 2/2012 Stephanchick D13/108
D654,866 S * 2/2012 Rautiainen D13/108
D668,605 S * 10/2012 Park D13/108
D675,360 S * 1/2013 Lee D26/62
D694,182 S * 11/2013 Lee D13/108

D694,707 S * 12/2013 Zeng D13/108
D696,190 S * 12/2013 Brandtman D13/108
D697,027 S * 1/2014 Ho D13/108
D718,233 S * 11/2014 Aumiller D13/108
D718,236 S * 11/2014 Murray D13/108
D719,146 S * 12/2014 Herbst D14/253
D720,288 S * 12/2014 Ko D13/108
D720,289 S * 12/2014 Chiang D13/108
D725,034 S * 3/2015 Chen D13/108
D727,260 S * 4/2015 Aumiller D13/108
D735,131 S * 7/2015 Akana D13/108
D737,760 S * 9/2015 Kyriakoulis D13/108

(Continued)

Primary Examiner — Rosemary K Tarcza

Assistant Examiner — Nathaniel D Buckner

(74) *Attorney, Agent, or Firm* — Condo Roccia Koptiw
LLP

(57) **CLAIM**

The ornamental design for a wireless charging fixture, as shown and described.

DESCRIPTION

FIG. 1 is a top right perspective view of a wireless charging fixture showing my new design;
FIG. 2 is a bottom right perspective view of the wireless charging fixture of FIG. 1;
FIG. 3 is a top view of the wireless charging fixture of FIG. 1;
FIG. 4 is a first side view of the wireless charging fixture of FIG. 1;
FIG. 5 is a bottom view of the wireless charging fixture of FIG. 1;
FIG. 6 is a second side view of the wireless charging fixture of FIG. 1;
FIG. 7 is a third side view of the wireless charging fixture of FIG. 1; and,
FIG. 8 is a fourth side view of the wireless charging fixture of FIG. 1.
The broken lines in the figures represent portions of the article which form no part of the claim.

1 Claim, 8 Drawing Sheets



(56)

References Cited

U.S. PATENT DOCUMENTS

D738,303 S *	9/2015	Symons	D13/108	D744,682 S *	12/2015	Porter	D26/51
D740,750 S *	10/2015	Mayden	D13/108	D746,772 S *	1/2016	Aumiller	D13/108
D741,256 S *	10/2015	Murphy-Reinhertz	D13/108	D747,267 S *	1/2016	Aumiller	D13/108
D742,823 S *	11/2015	Nitz	D13/103	D748,575 S *	2/2016	Bulgarov	D13/108
				D749,044 S *	2/2016	Huang	D13/108
				D749,504 S *	2/2016	Jeong	D13/108
				D752,051 S *	3/2016	Chen	D14/434

* cited by examiner

FIG. 1

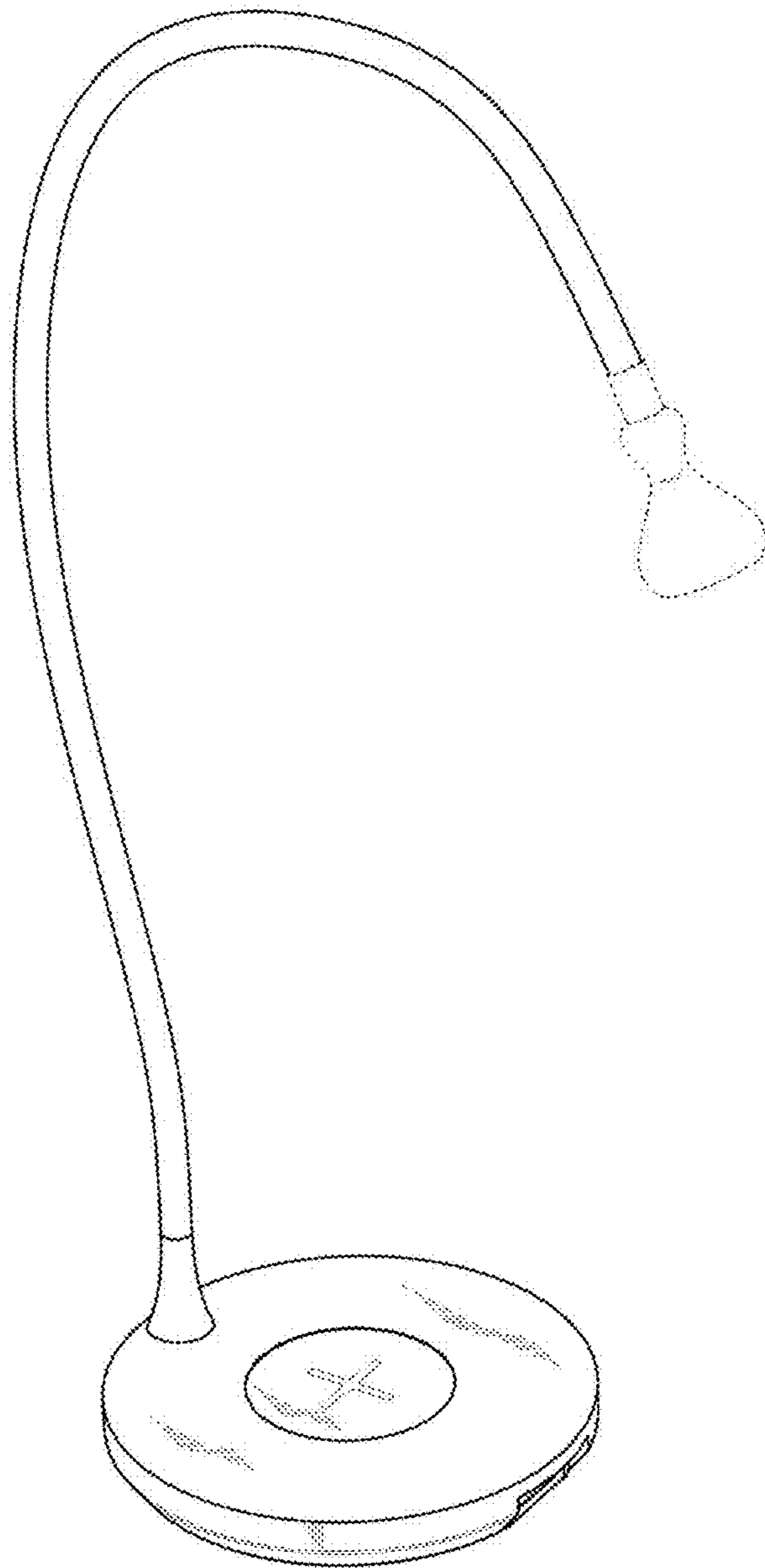


FIG. 2

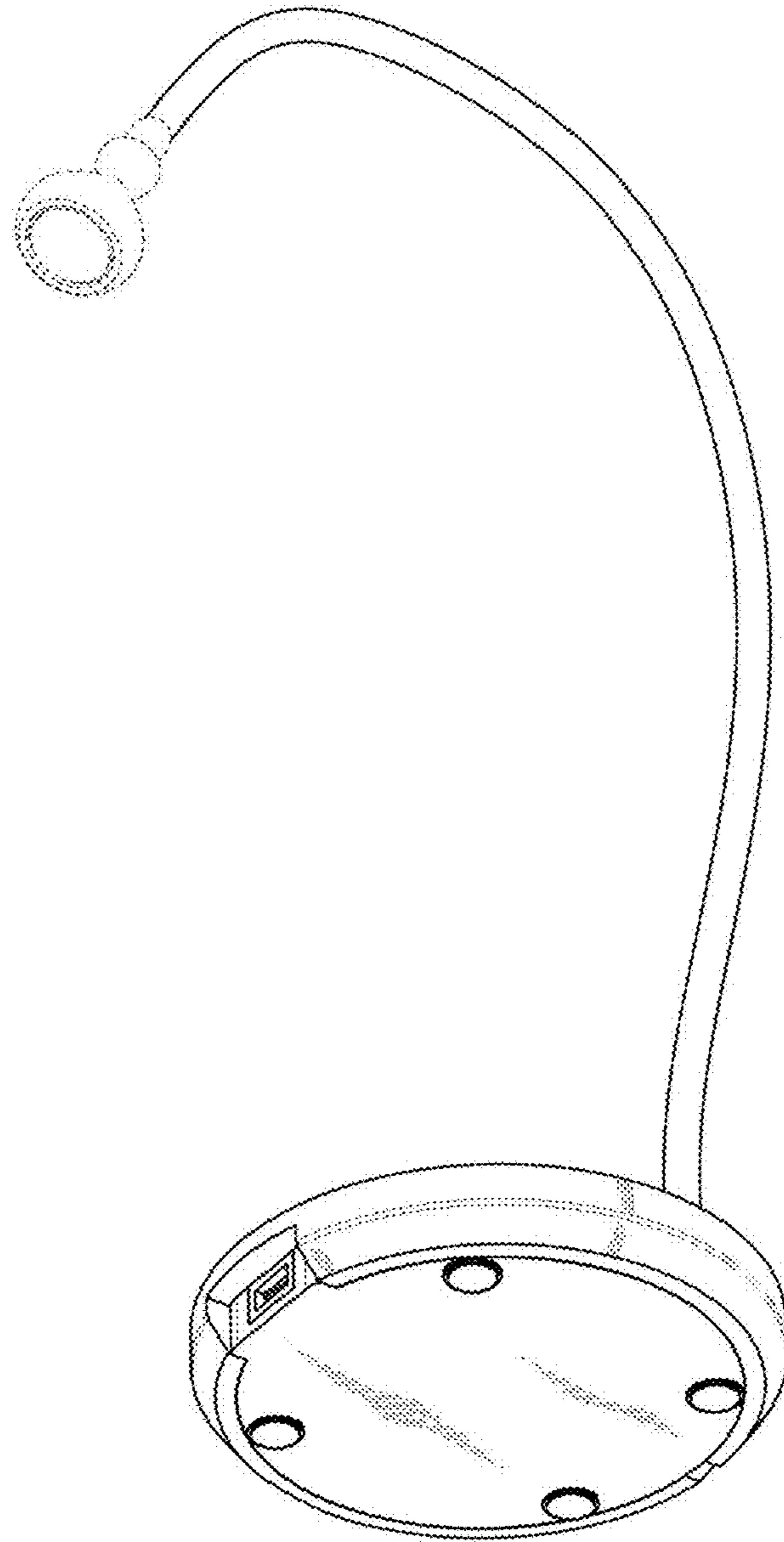


FIG. 3

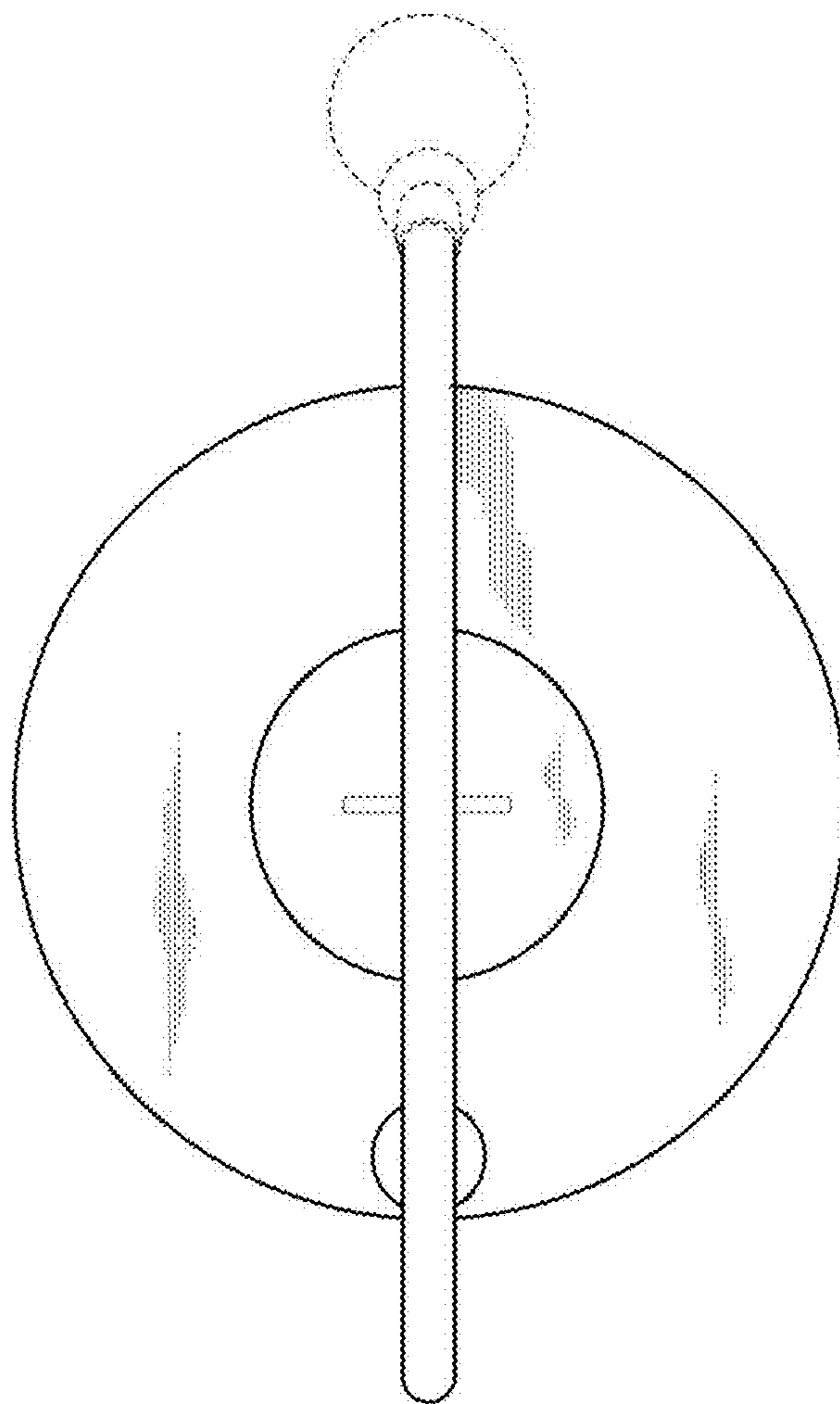


FIG. 4

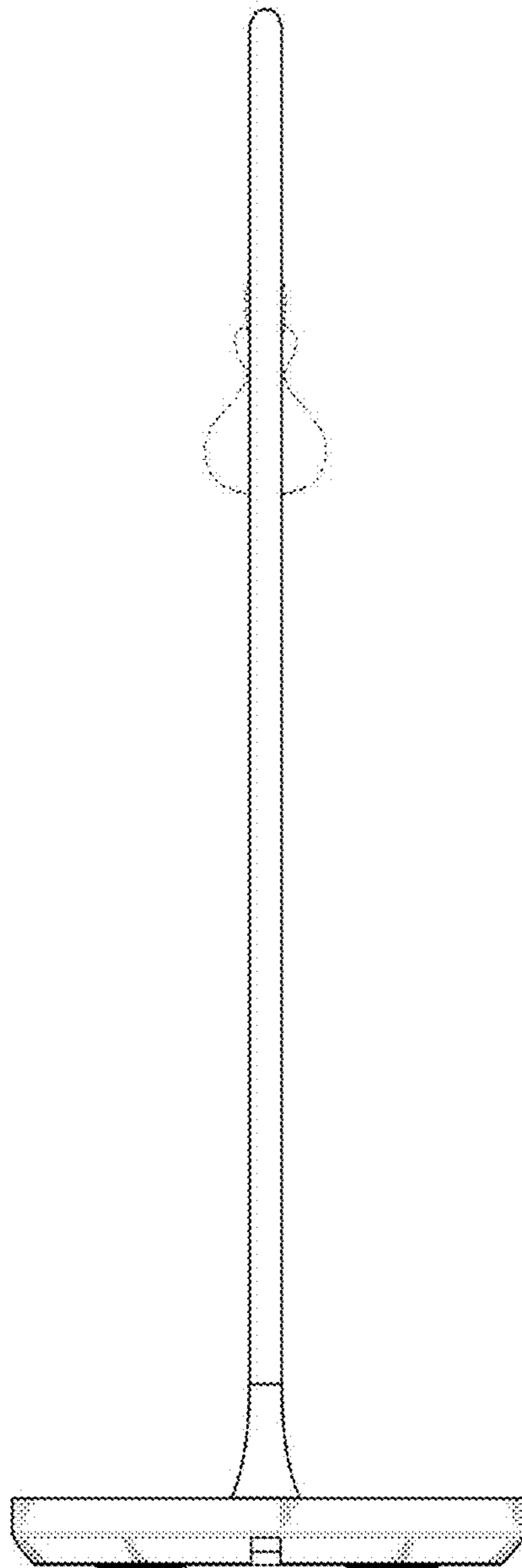


FIG. 5

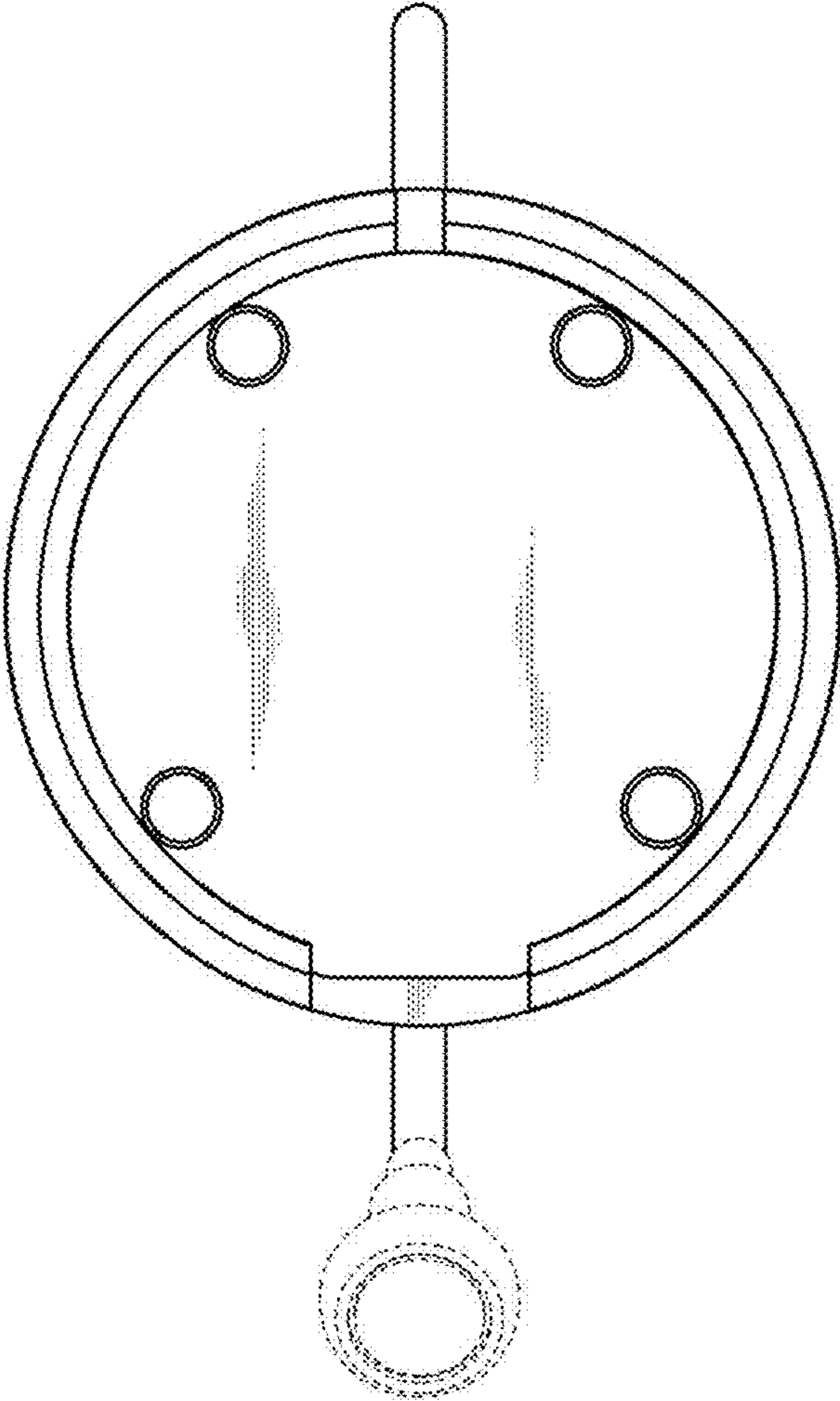


FIG. 6

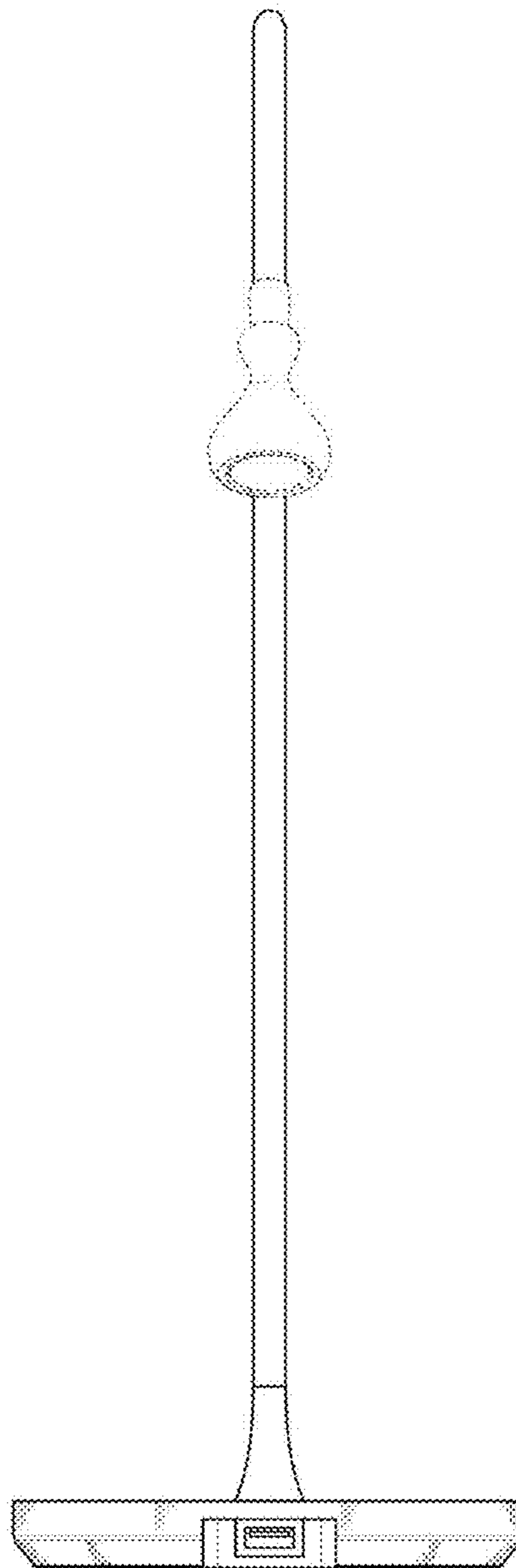


FIG. 7

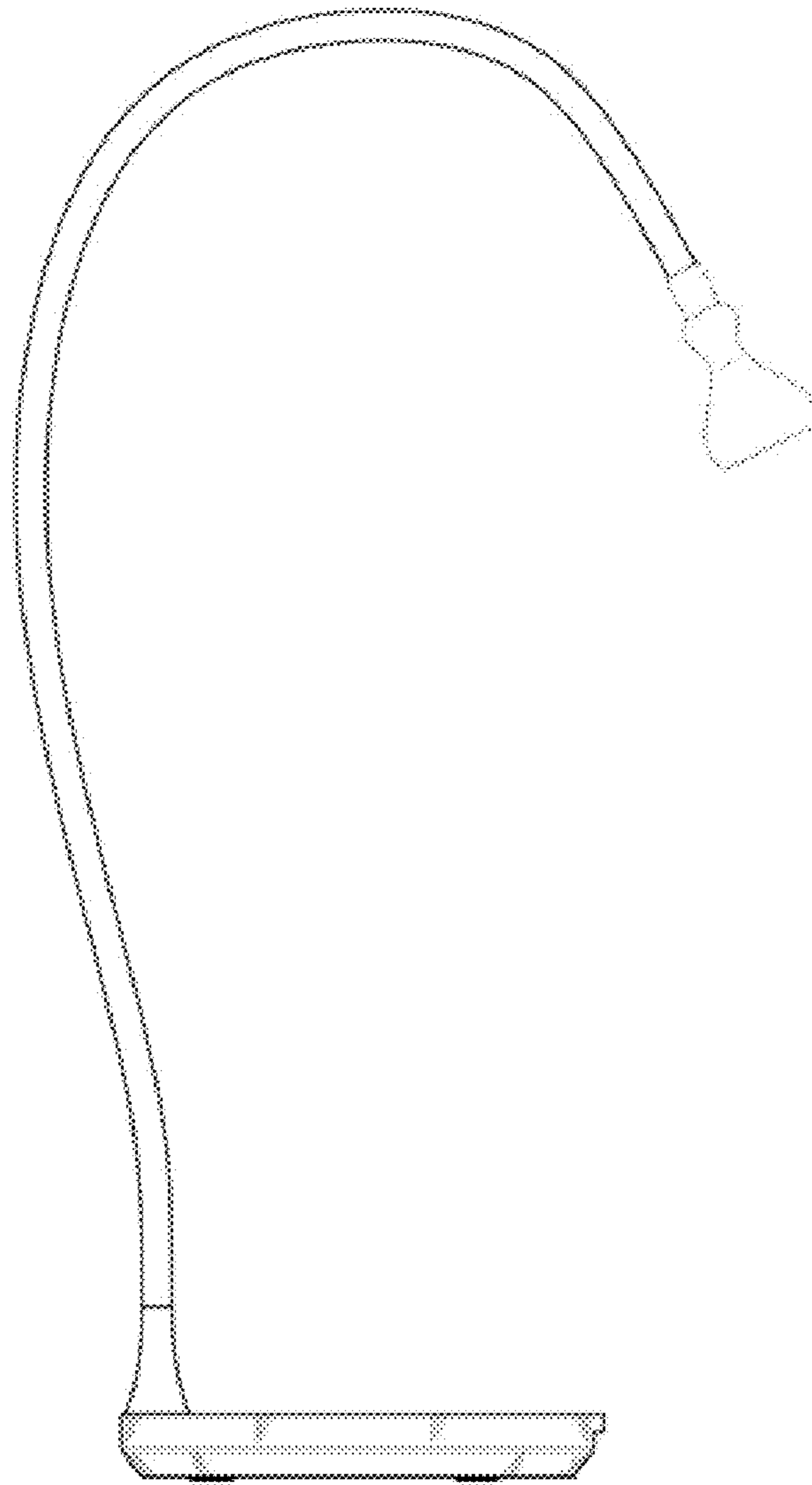


FIG. 8

