



US00D768074S

(12) **United States Design Patent** (10) **Patent No.:** **US D768,074 S**
Park et al. (45) **Date of Patent:** **** Oct. 4, 2016**

(54) **BATTERY FOR PORTABLE TERMINAL**

(71) Applicant: **LG Chem, Ltd.**, Seoul (KR)

(72) Inventors: **Byung-O Park**, Daejeon (KR); **In-Gu An**, Daejeon (KR); **Hyung-Ku Yun**, Daejeon (KR); **Dong-Myung Kim**, Daejeon (KR)

(73) Assignee: **LG Chem, Ltd.** (KR)

(**) Term: **15 Years**

(21) Appl. No.: **29/539,225**

(22) Filed: **Sep. 11, 2015**

(30) **Foreign Application Priority Data**

Jan. 13, 2015 (KR) 30-2015-0001699

(51) **LOC (10) Cl.** **13-02**

(52) **U.S. Cl.**
USPC **D13/103**

(58) **Field of Classification Search**
USPC D13/102–110, 118–119, 184, 199, 120,
D13/154, 146, 147, 133; D14/356, 432;
320/103, 111–115, 135, 138, 140
CPC Y02E 60/10; Y02E 60/12; Y02E 60/122;
Y02E 60/124; Y02E 60/50; H01M 2/02;
H01M 2/20; H01M 2/022; H01M 2/0202;
H01M 2/0207; H01M 2/0212; H01M 2/1061;
H01M 2/1022; H01M 2/1055; H01M 2/1066;
H01M 2/105; H01M 2/204; H01M 2/202;
H01M 2/206; H01M 10/4257; H01M
10/0436; H01M 10/48; H01M 10/44; H01M
10/46; H01M 10/465; H01M 10/482; H01M
2200/30; H01M 2250/30; H01M 2250/40;
H02J 7/00; H02J 7/0003; H02J 7/0011;
H02J 7/0013; H02J 7/0054; H02J 7/0055;
H02J 7/0057; H02J 2007/0062

See application file for complete search history.

(56) **References Cited**

U.S. PATENT DOCUMENTS

D709,822	S	*	7/2014	Kwon	D13/103
D715,732	S	*	10/2014	Kwon	D13/103
D716,722	S	*	11/2014	Kwon	D13/103
D724,014	S	*	3/2015	Kwon	D13/103
D724,016	S	*	3/2015	Kwon	D13/103
D724,019	S	*	3/2015	Kwon	D13/103
D724,020	S	*	3/2015	Kwon	D13/103
D724,529	S	*	3/2015	Kwon	D13/103
D724,530	S	*	3/2015	Kwon	D13/103
D724,532	S	*	3/2015	Kwon	D13/103
D724,533	S	*	3/2015	Kwon	D13/103
2005/0208344	A1	*	9/2005	Tan	G06F 1/263 429/7
2007/0128513	A1	*	6/2007	Hatta	H01M 2/021 429/176
2007/0207379	A1	*	9/2007	Hatta	H01M 2/0207 429/176
2008/0254348	A1	*	10/2008	Hatta	H01M 2/021 429/94
2011/0064974	A1	*	3/2011	Heo	H01M 2/0469 429/7
2013/0059183	A1	*	3/2013	Ahn	H01M 2/0217 429/94
2013/0196194	A1	*	8/2013	Park	H01M 2/0207 429/72
2015/0303426	A1	*	10/2015	Kim	B29C 65/08 429/163

FOREIGN PATENT DOCUMENTS

JP	D1094027	12/2000
JP	D1094028	12/2000
JP	HD1900333000	10/2007

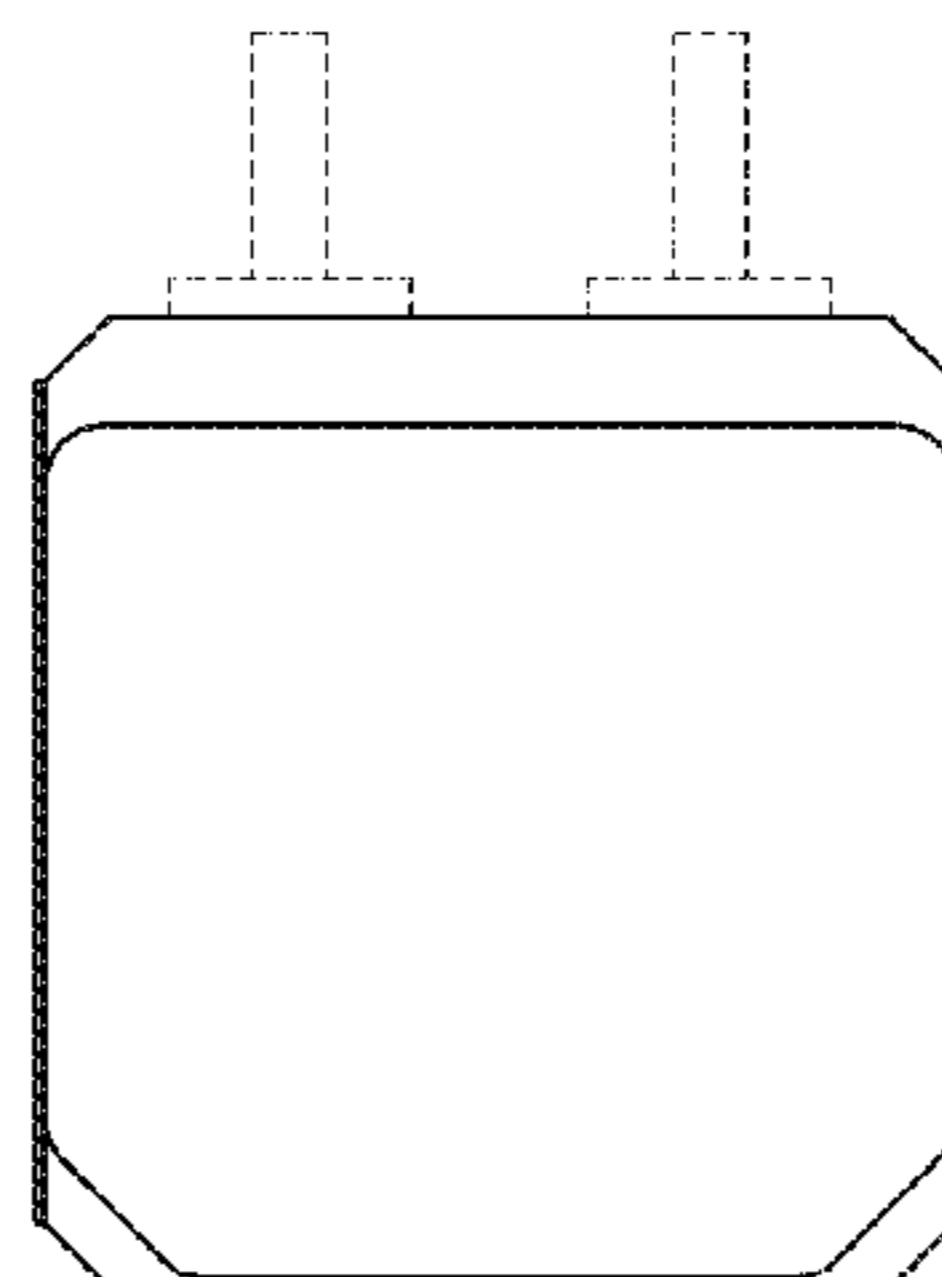
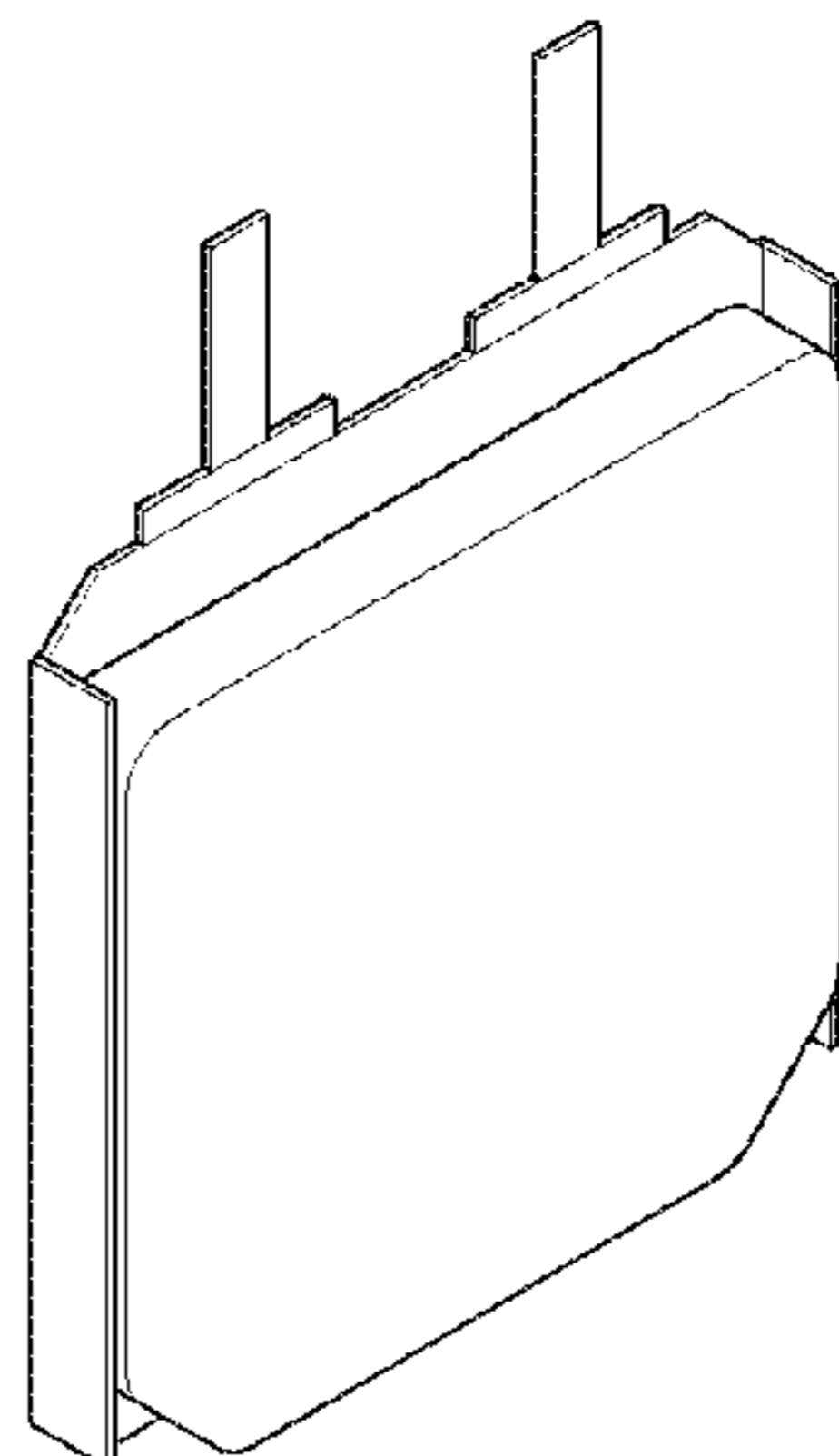
* cited by examiner

Primary Examiner — Rosemary K Tarcza

Assistant Examiner — Christy Nemeth

(74) *Attorney, Agent, or Firm* — Lerner, David,

Littenberg, Krumholz & Mentlik, LLP



(57)

CLAIM

The ornamental design for a battery for portable terminal, as shown and described.

DESCRIPTION

FIG. 1 is a front perspective view of a battery for portable terminal according to a first embodiment of our design;

FIG. 2 is a front view thereof;

FIG. 3 is a rear view thereof;

FIG. 4 is a left side view thereof;

FIG. 5 is a right side view thereof;

FIG. 6 is a top view thereof;

FIG. 7 is a bottom view thereof;

FIG. 8 is a front perspective view of a battery for portable terminal according to a second embodiment of our design;

FIG. 9 is a front view thereof;

FIG. 10 is a rear view thereof;

FIG. 11 is a left side view thereof;

FIG. 12 is a right side view thereof;

FIG. 13 is a top view thereof;

FIG. 14 is a bottom view thereof;

FIG. 15 is a front perspective view of a battery for portable terminal according to a third embodiment of our design;

FIG. 16 is a front view thereof;

FIG. 17 is a rear view thereof;

FIG. 18 is a left side view thereof;

FIG. 19 is a right side view thereof;

FIG. 20 is a top view thereof; and,

FIG. 21 is a bottom view thereof.

The broken lines in the drawings illustrate unclaimed elements of the battery for portable terminal, and form no part of the claimed design. The dash-dot lines illustrate the boundaries of the claim, and form no part of the claimed design.

1 Claim, 9 Drawing Sheets

FIG. 1

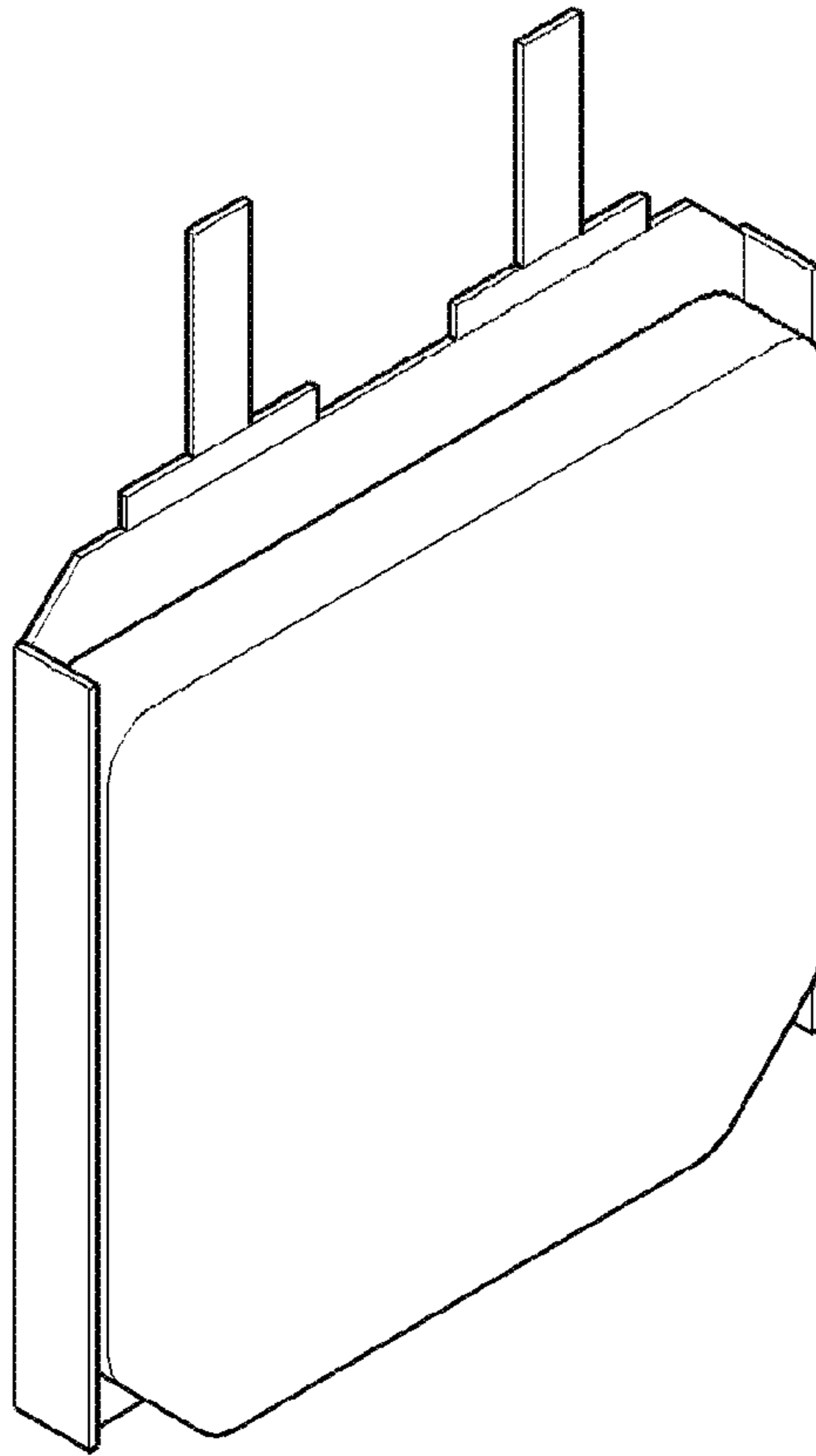


FIG. 2

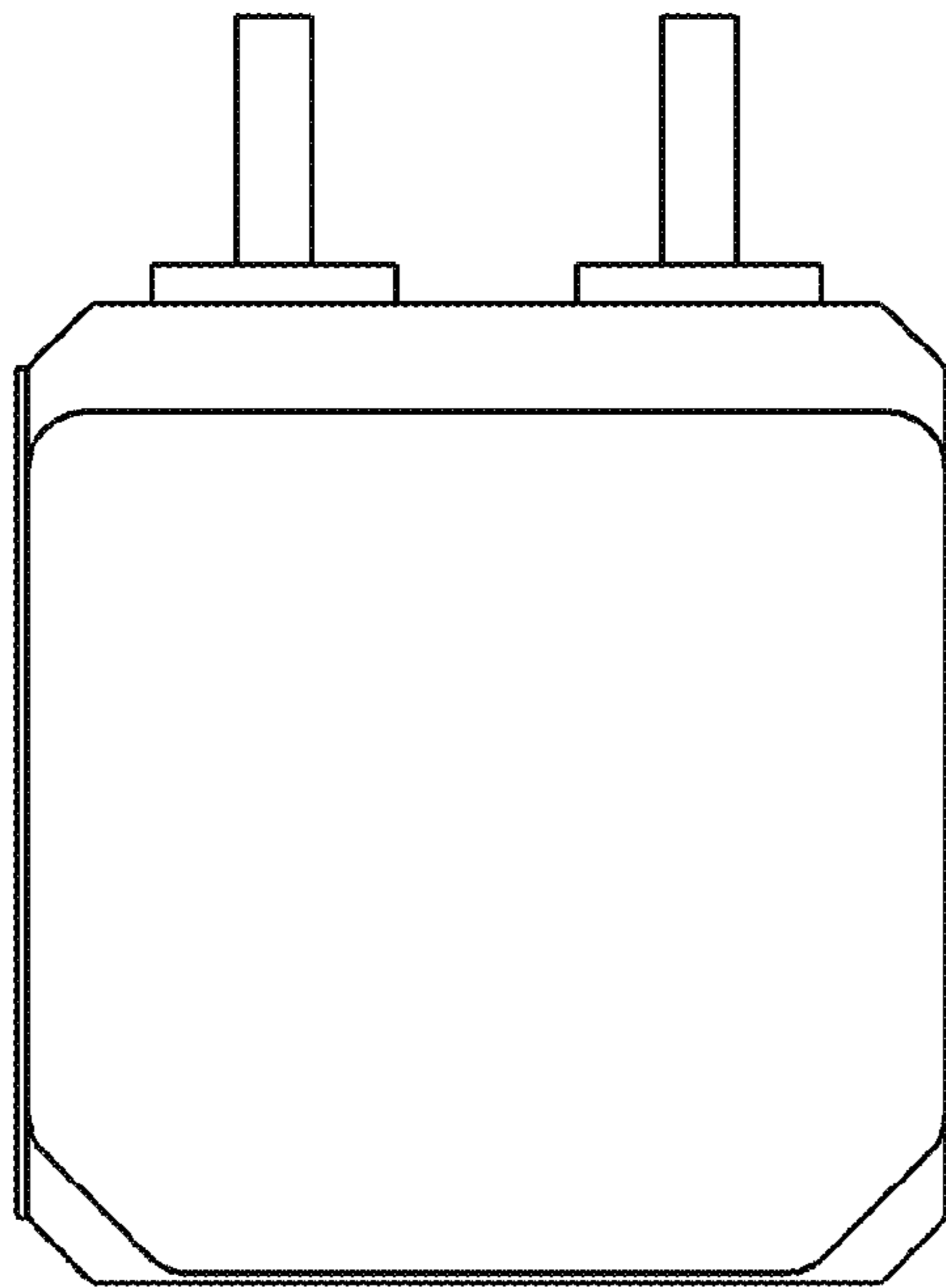


FIG. 3

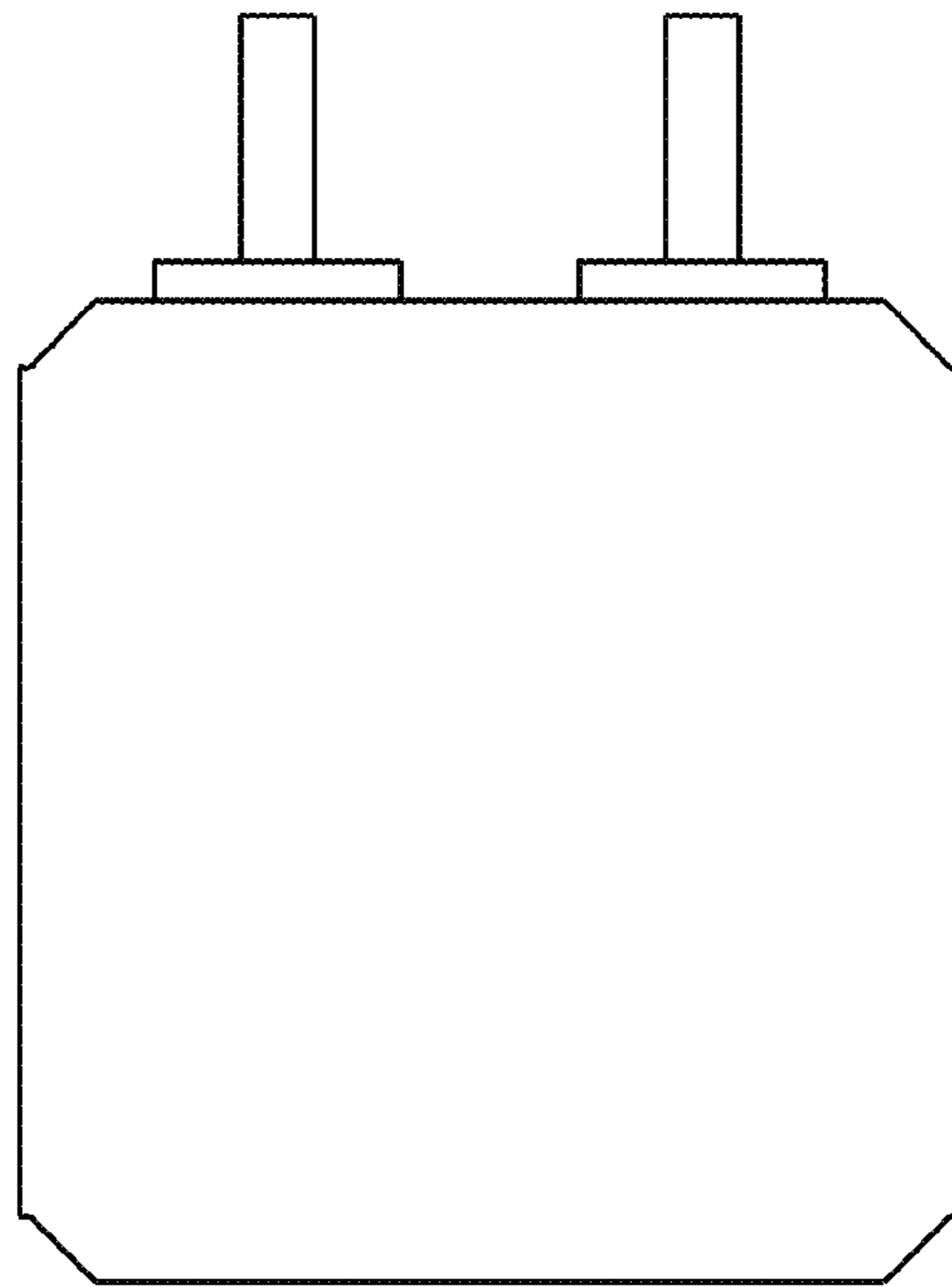


FIG. 4

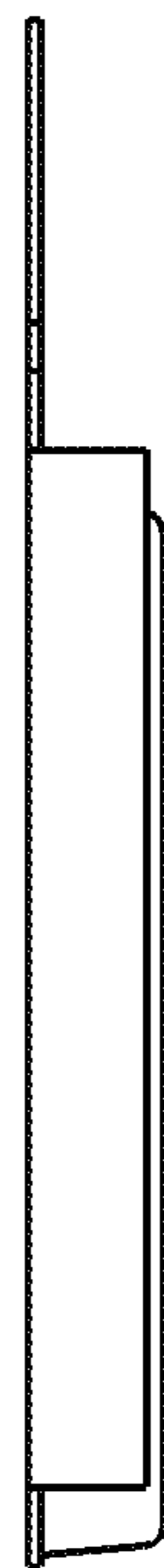


FIG. 5

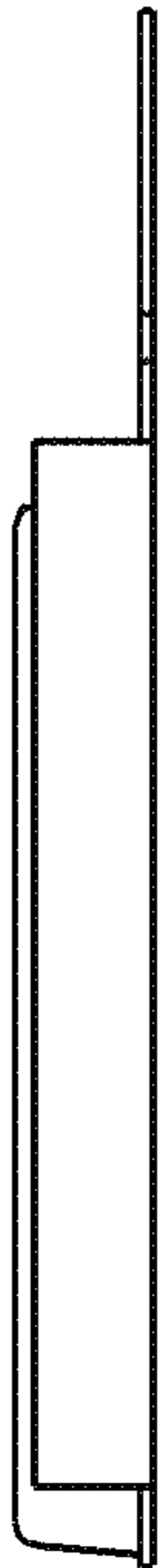


FIG. 6



FIG. 7



FIG. 8

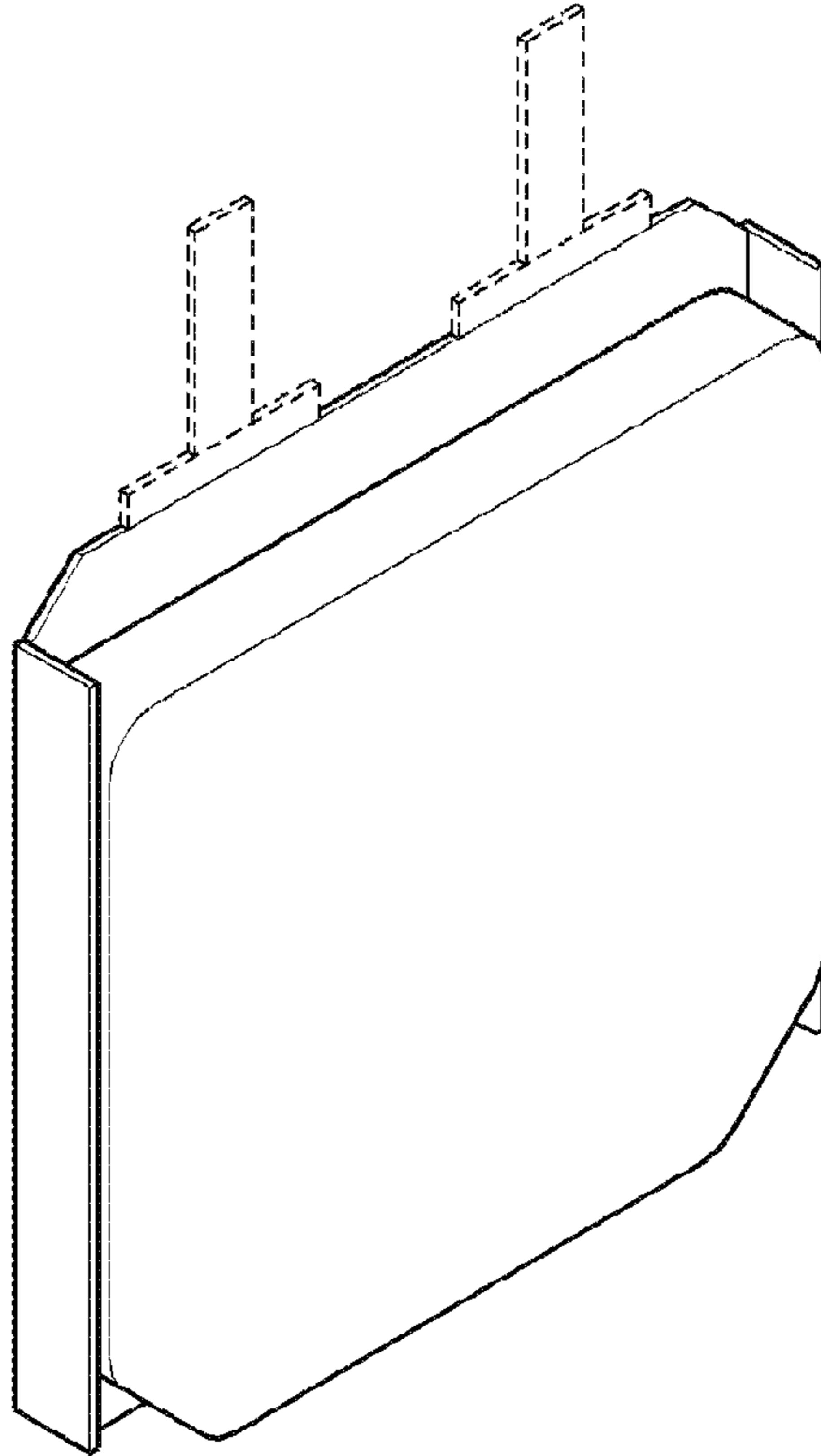


FIG. 9

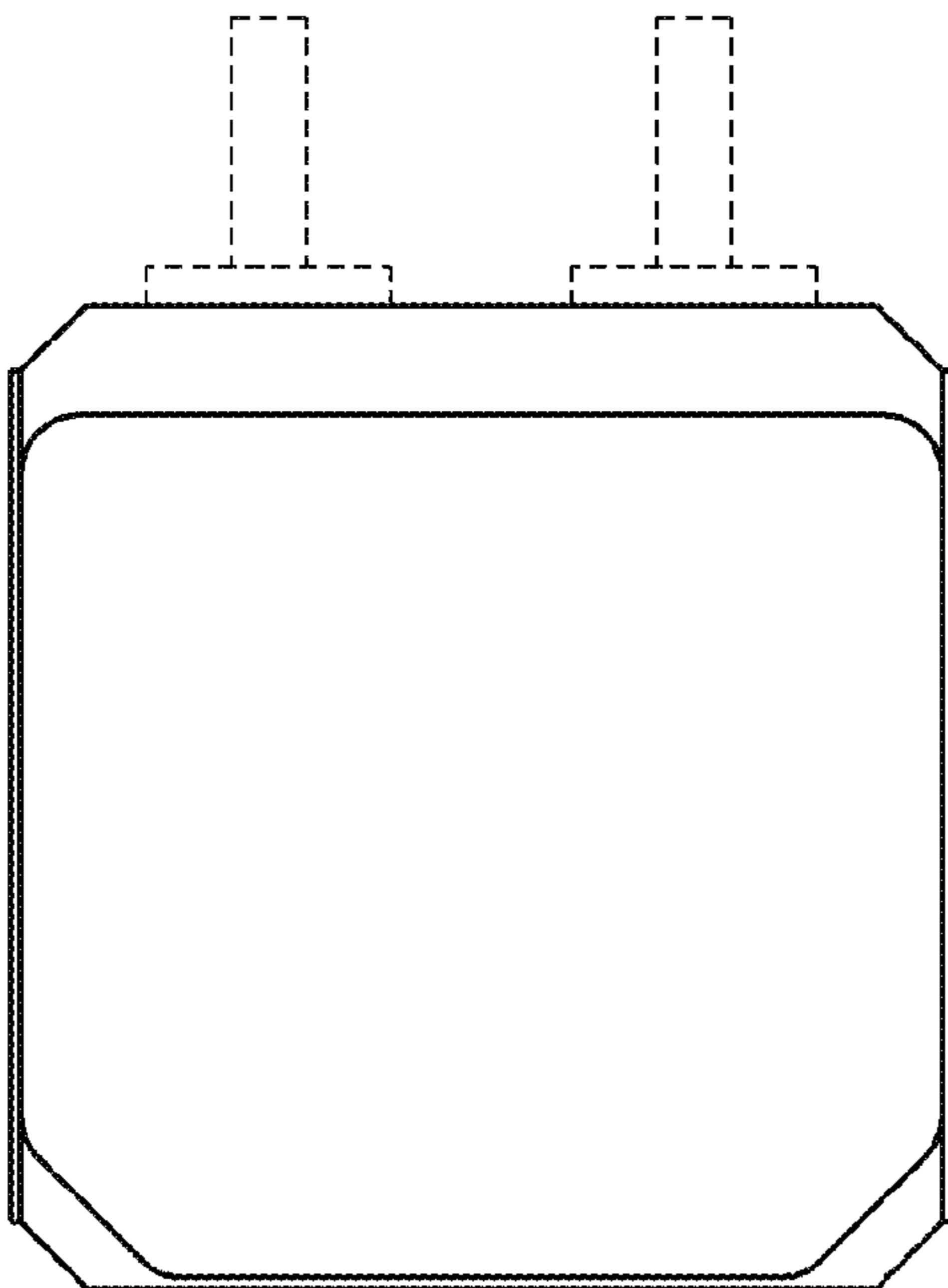


FIG. 10

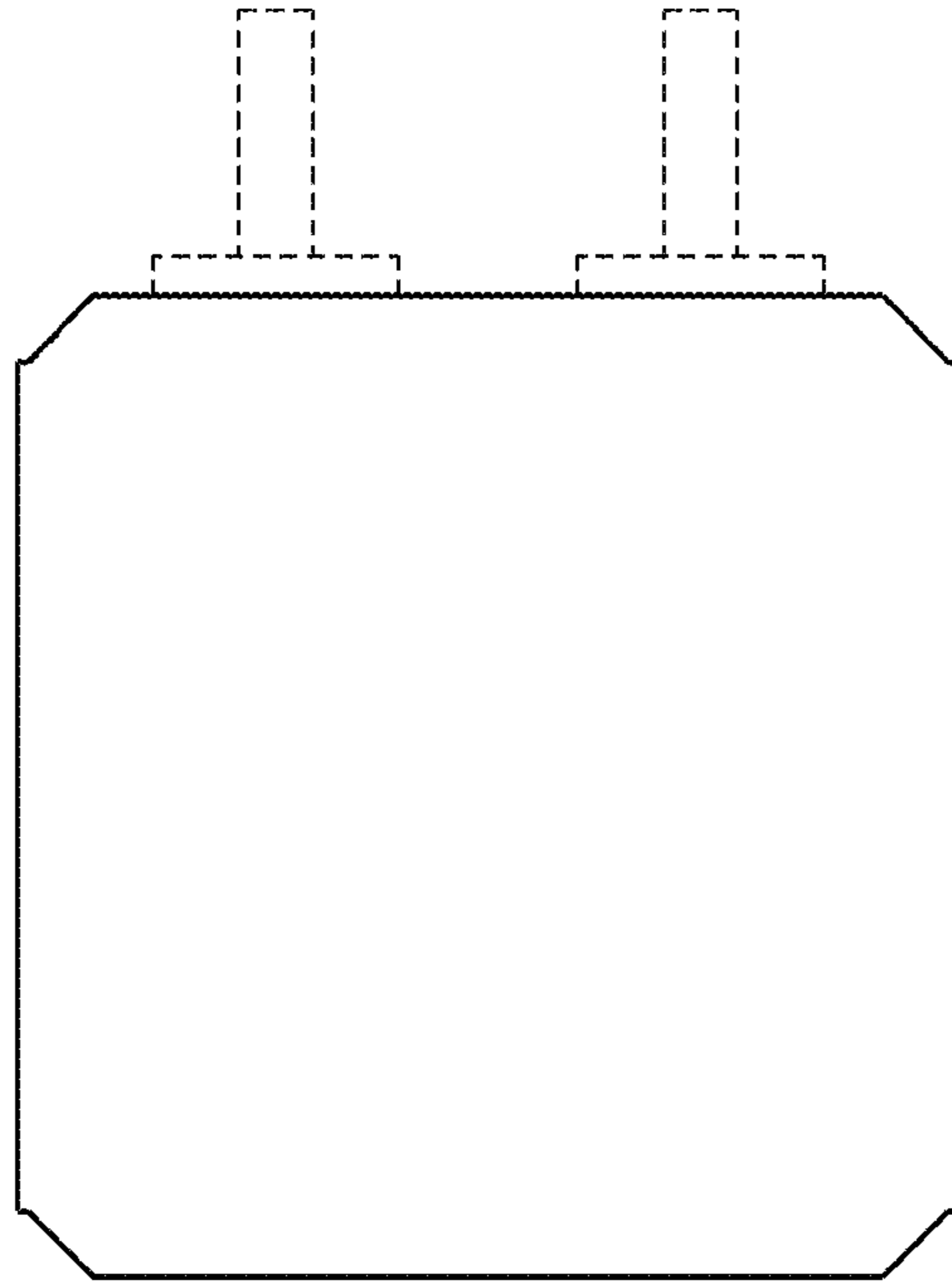


FIG. 11



FIG. 12

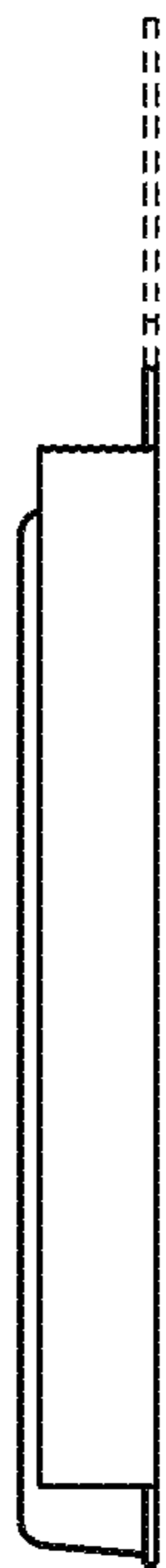


FIG. 13



FIG. 14



FIG. 15

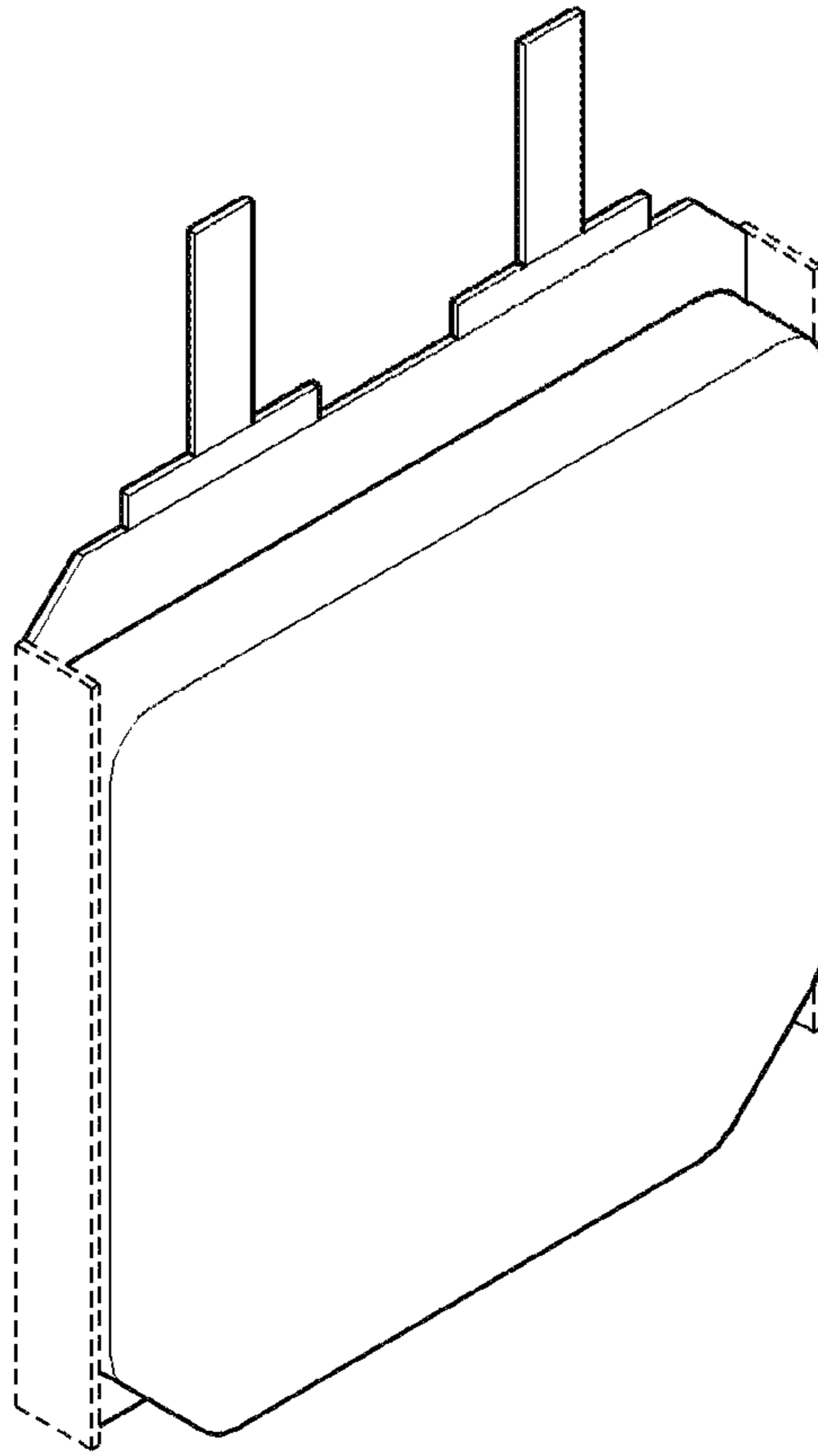


FIG. 16

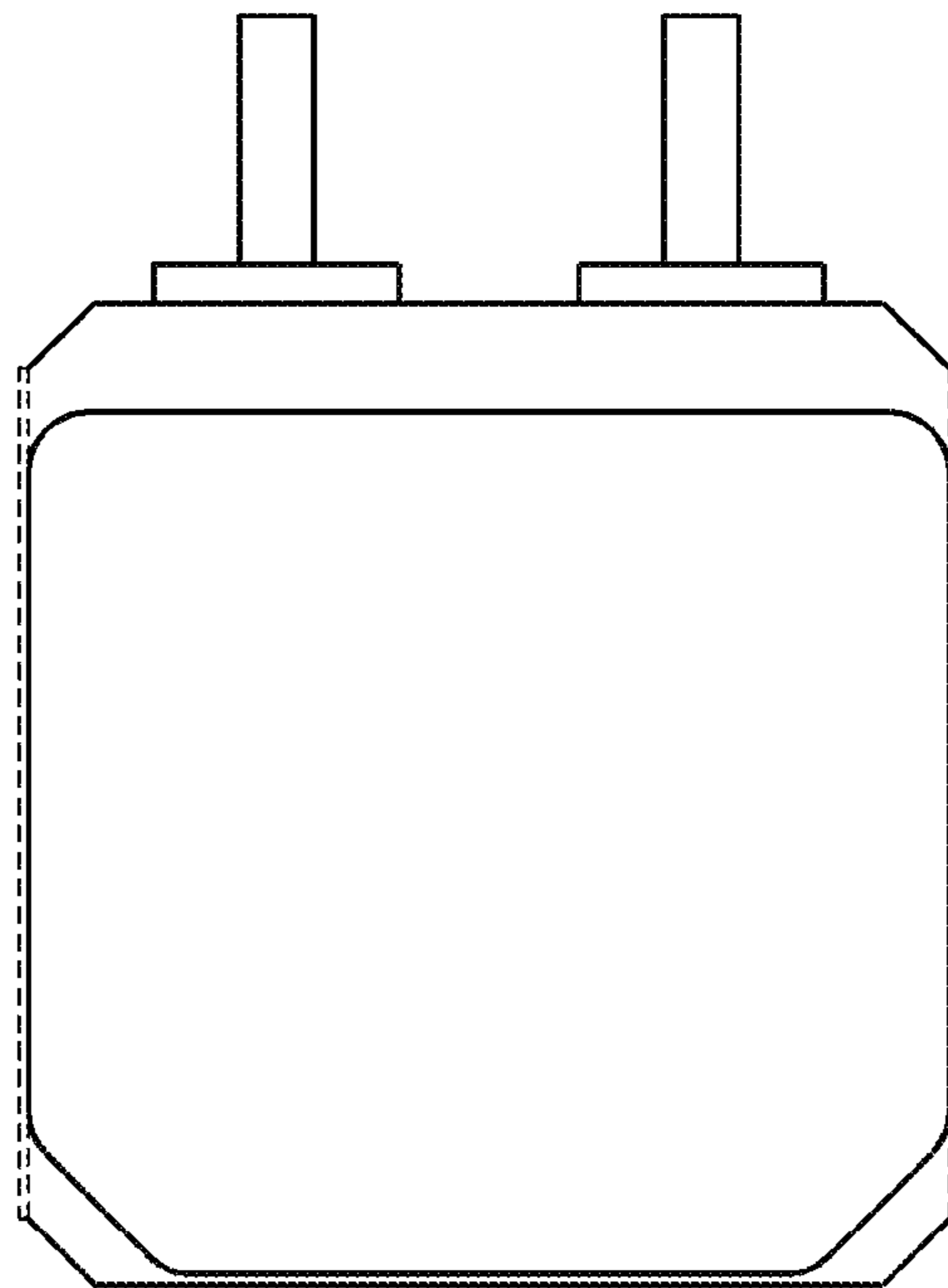


FIG. 17

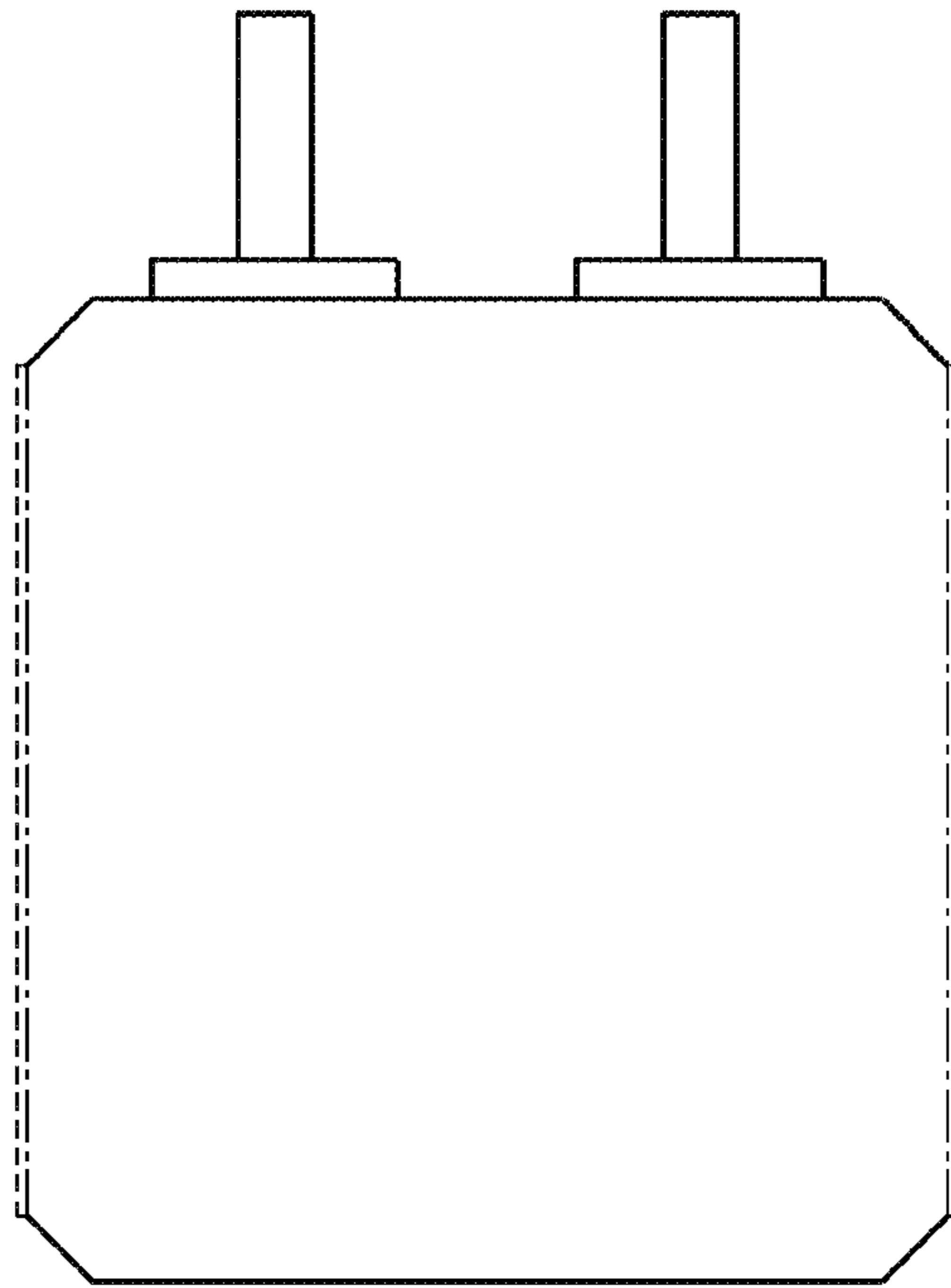


FIG. 18

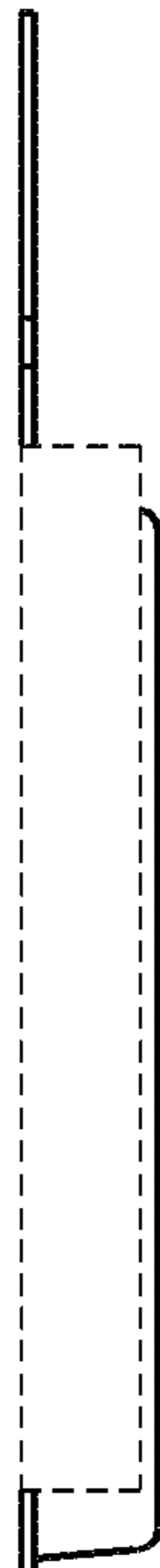


FIG. 19



FIG. 20



FIG. 21

