



US00D768071S

(12) **United States Design Patent**  
**Kim et al.**

(10) **Patent No.:** **US D768,071 S**  
(45) **Date of Patent:** **\*\* Oct. 4, 2016**

- (54) **BATTERY PACK**
- (71) Applicant: **LG Chem, Ltd.**, Seoul (KR)
- (72) Inventors: **Hyeon-Kyu Kim**, Daejeon (KR);  
**Bum-Hyun Lee**, Daejeon (KR); **In-Jae Gang**, Daejeon (KR)
- (73) Assignee: **LG Chem, Ltd.** (KR)
- (\*\*) Term: **15 Years**
- (21) Appl. No.: **29/539,059**
- (22) Filed: **Sep. 10, 2015**
- (30) **Foreign Application Priority Data**

Mar. 11, 2015 (KR) ..... 30-2015-0012221

- (51) **LOC (10) Cl.** ..... **13-02**
- (52) **U.S. Cl.**  
USPC ..... **D13/103**

- (58) **Field of Classification Search**  
USPC ..... D13/102-110, 118, 199, 184;  
429/96-100, 149, 159, 163, 176, 177,  
429/186; 206/703-705, 461-463, 471, 485,  
206/485.1, 493; D14/203.3-203.8, 217,  
D14/240, 248, 250-253, 432, 434, 440, 450,  
D14/496; 320/101, 102, 107-115, 120;  
D3/201, 207-209, 218, 269, 212, 301,  
D3/273, 303; 361/679, 56; 379/426,  
379/433.11-433.13, 455; 455/575.1, 575.8  
CPC ... Y02E 60/12; Y02E 60/122; Y02E 60/124;  
Y02E 60/50; H01M 2/02; H01M 2/022;  
H01M 2/0202; H01M 2/0207; H01M 2/0212;  
H01M 2/1061; H01M 2/1022; H01M 2/1055;  
H01M 2/1066; H01M 2/105; H01M 2/204;  
H01M 10/4257; H01M 10/0436; H01M  
10/48

See application file for complete search history.

(56) **References Cited**

**U.S. PATENT DOCUMENTS**

- D509,184 S \* 9/2005 Schuttler ..... D13/110
- D602,859 S \* 10/2009 Kaiser ..... D13/101

- D606,937 S \* 12/2009 Brookshire ..... D13/110
- D626,066 S \* 10/2010 Liu ..... D13/110
- 8,486,550 B2 \* 7/2013 Suzuki ..... H01M 2/1055  
429/100
- D725,589 S \* 3/2015 Hidaka ..... D13/103
- D731,412 S \* 6/2015 Gao ..... D13/103
- D749,064 S \* 2/2016 Bhattacharya ..... D14/240
- 2008/0241675 A1 \* 10/2008 Enari ..... H01M 2/105  
429/179
- 2015/0263320 A1 \* 9/2015 Takasaki ..... H01M 2/105  
429/156

\* cited by examiner

*Primary Examiner* — Rosemary K Tarcaza

*Assistant Examiner* — Christy Nemeth

(74) *Attorney, Agent, or Firm* — Lerner, David,  
Littenberg, Krumholz & Mentlik, LLP

(57) **CLAIM**

The ornamental design for a battery pack, as shown and described.

**DESCRIPTION**

FIG. 1 is a front perspective view of a battery pack according to our design;

FIG. 2 is a front view thereof;

FIG. 3 is a rear view thereof;

FIG. 4 is a left side view thereof;

FIG. 5 is a right side view thereof;

FIG. 6 is a top view thereof;

FIG. 7 is a bottom view thereof; and,

FIG. 8 is a front perspective view of the battery pack with a sub battery pack shown in broken lines. The sub battery pack is environmental only and forms no part of the claimed design.

The broken lines in the drawings illustrate environmental subject matter only and form no part of the claimed design.

**1 Claim, 4 Drawing Sheets**

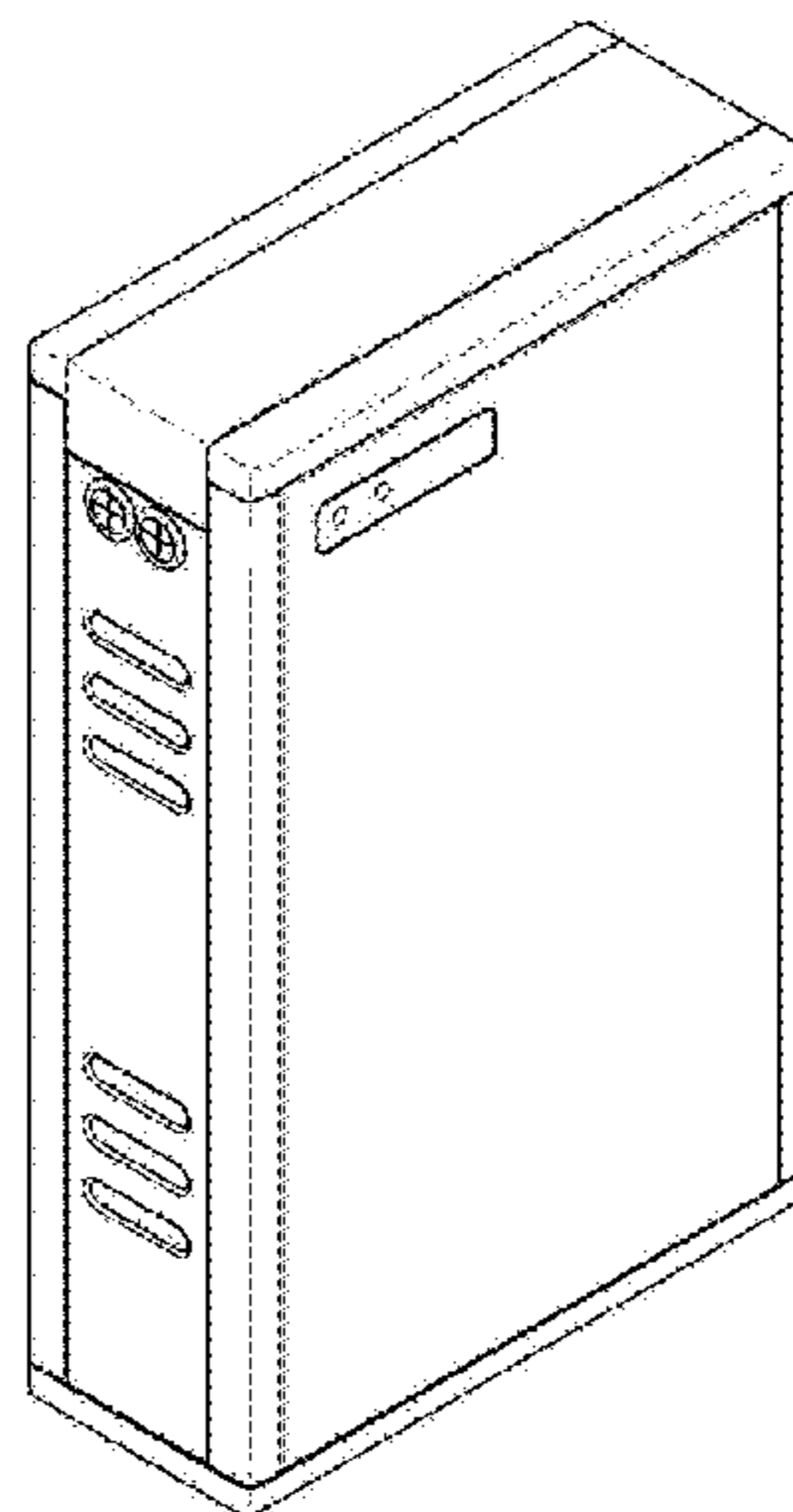


FIG. 1

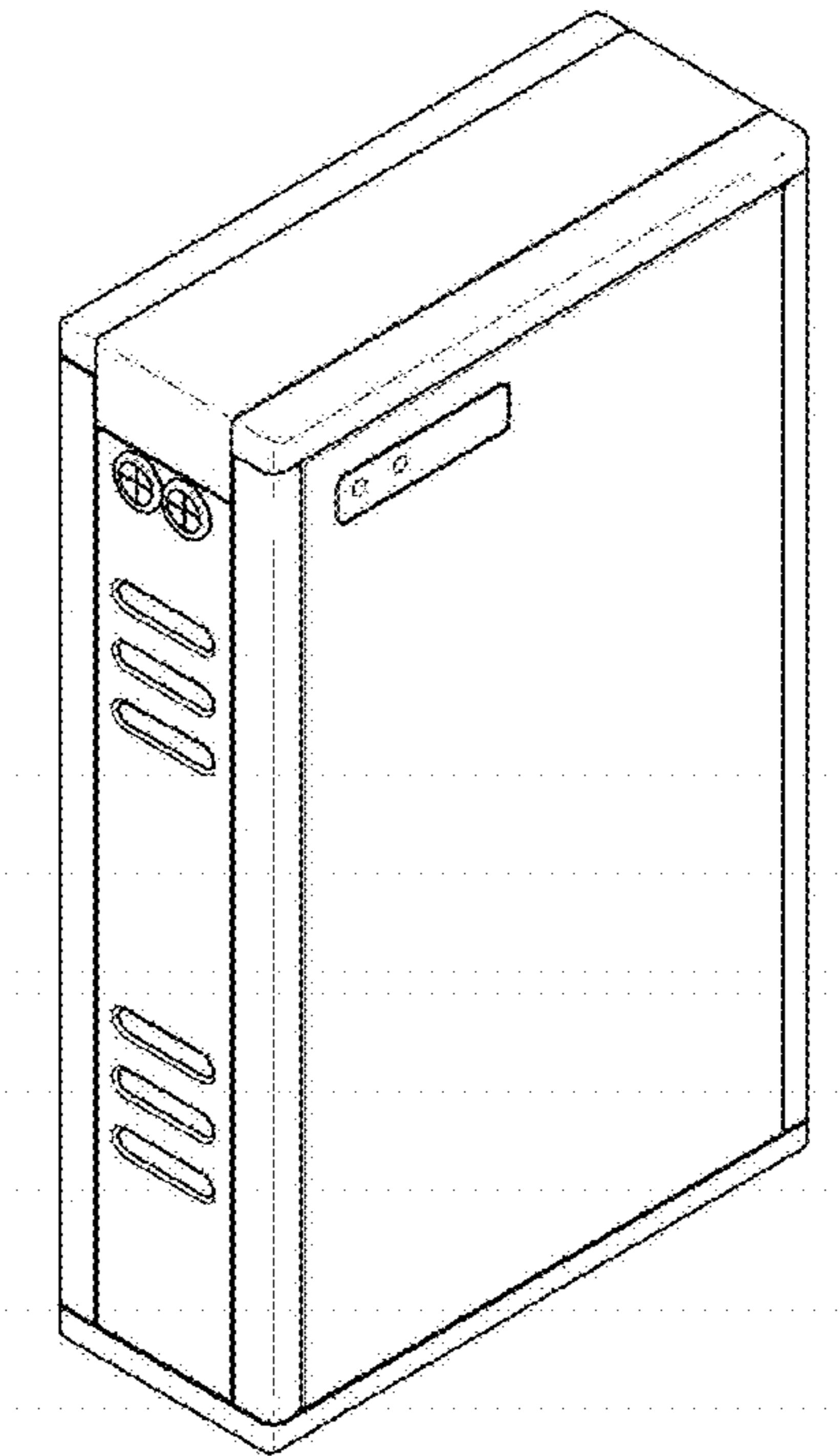


FIG. 2

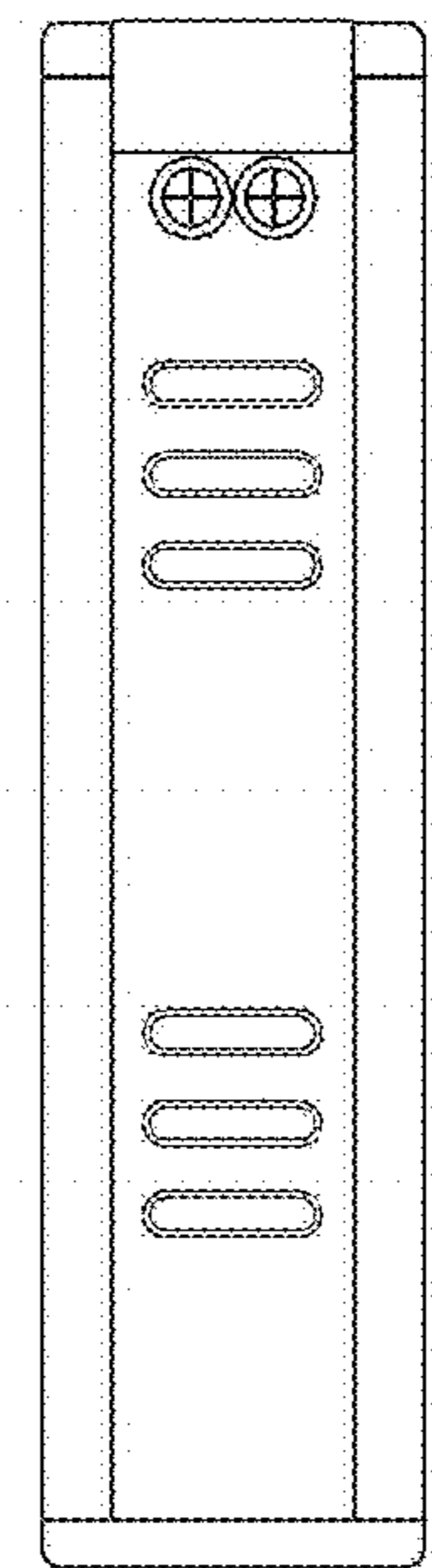


FIG. 3

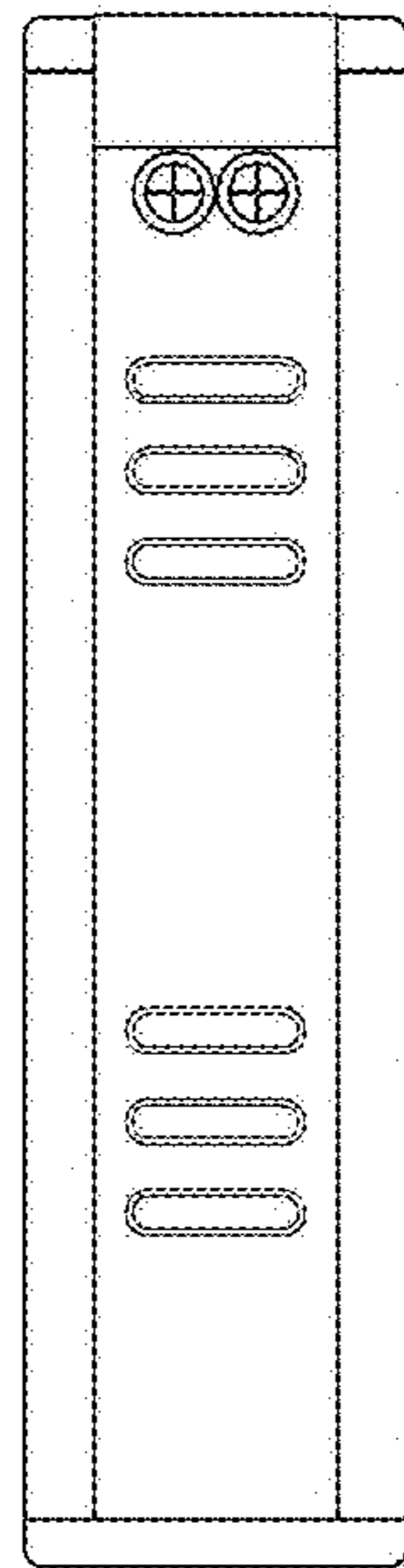


FIG. 4

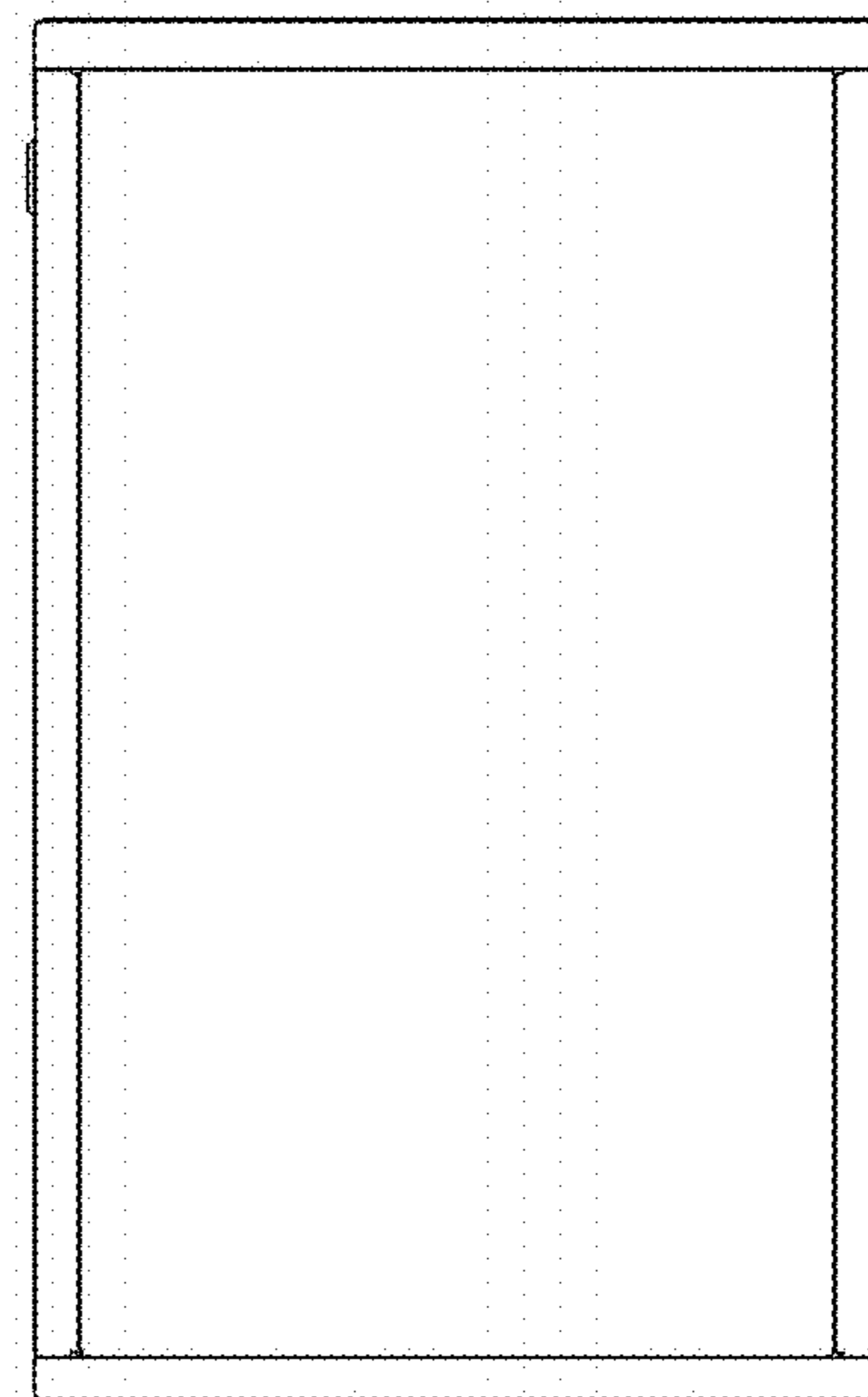


FIG. 5

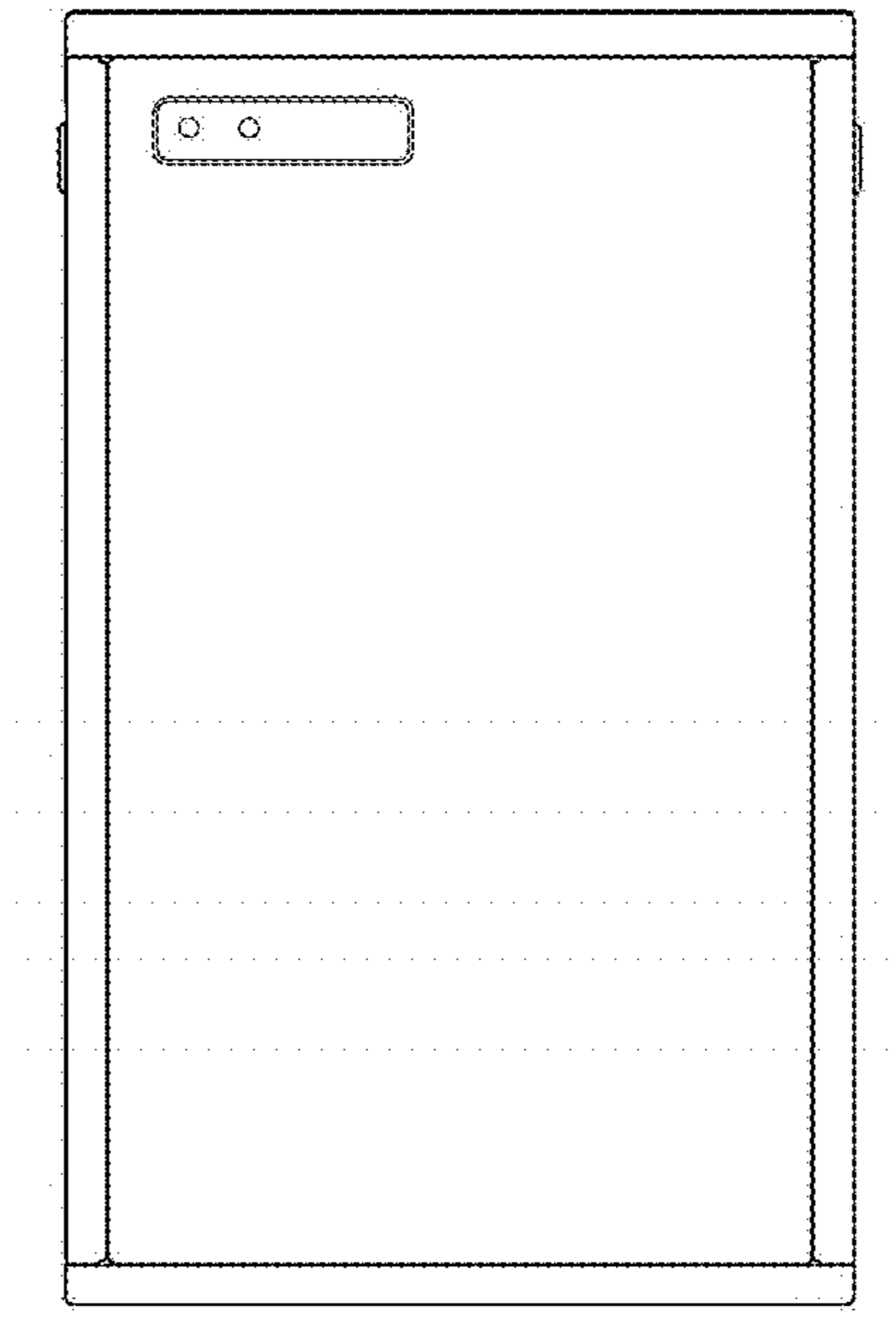


FIG. 6

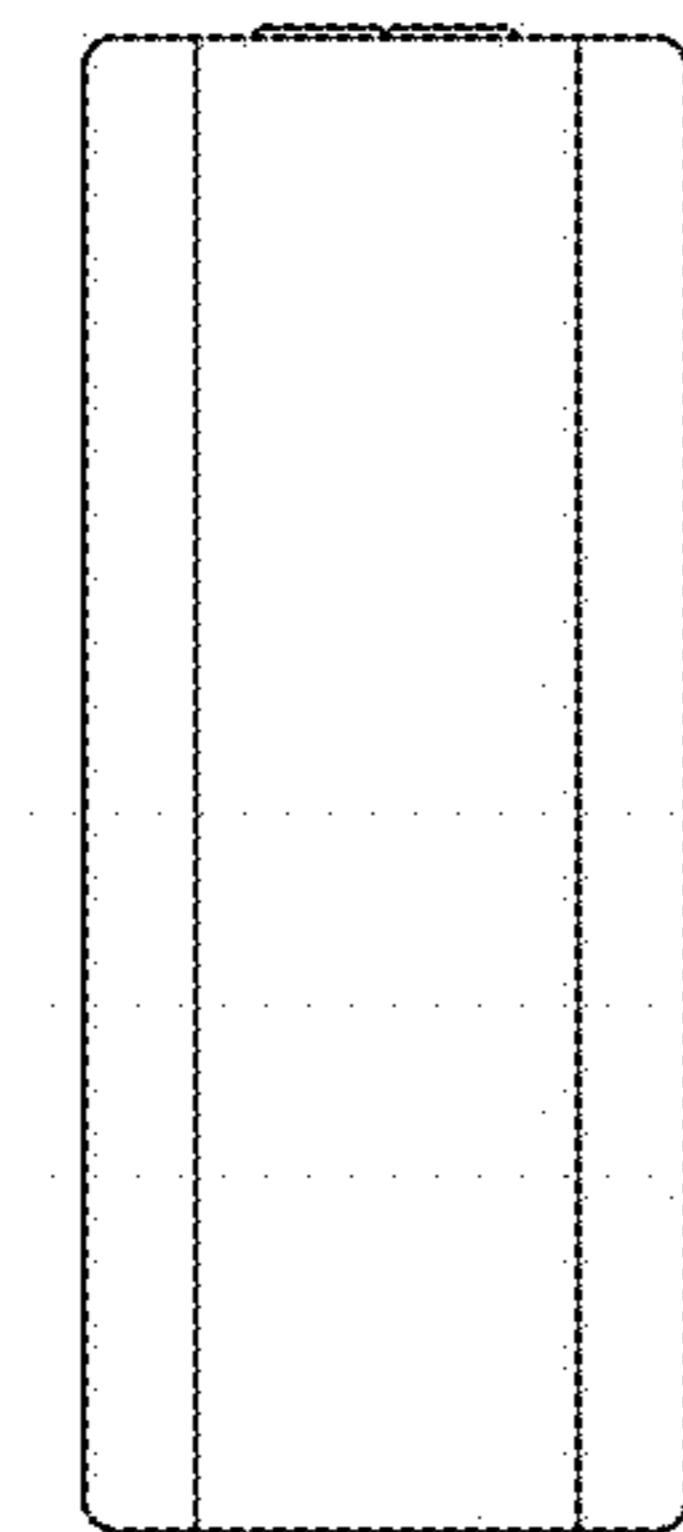
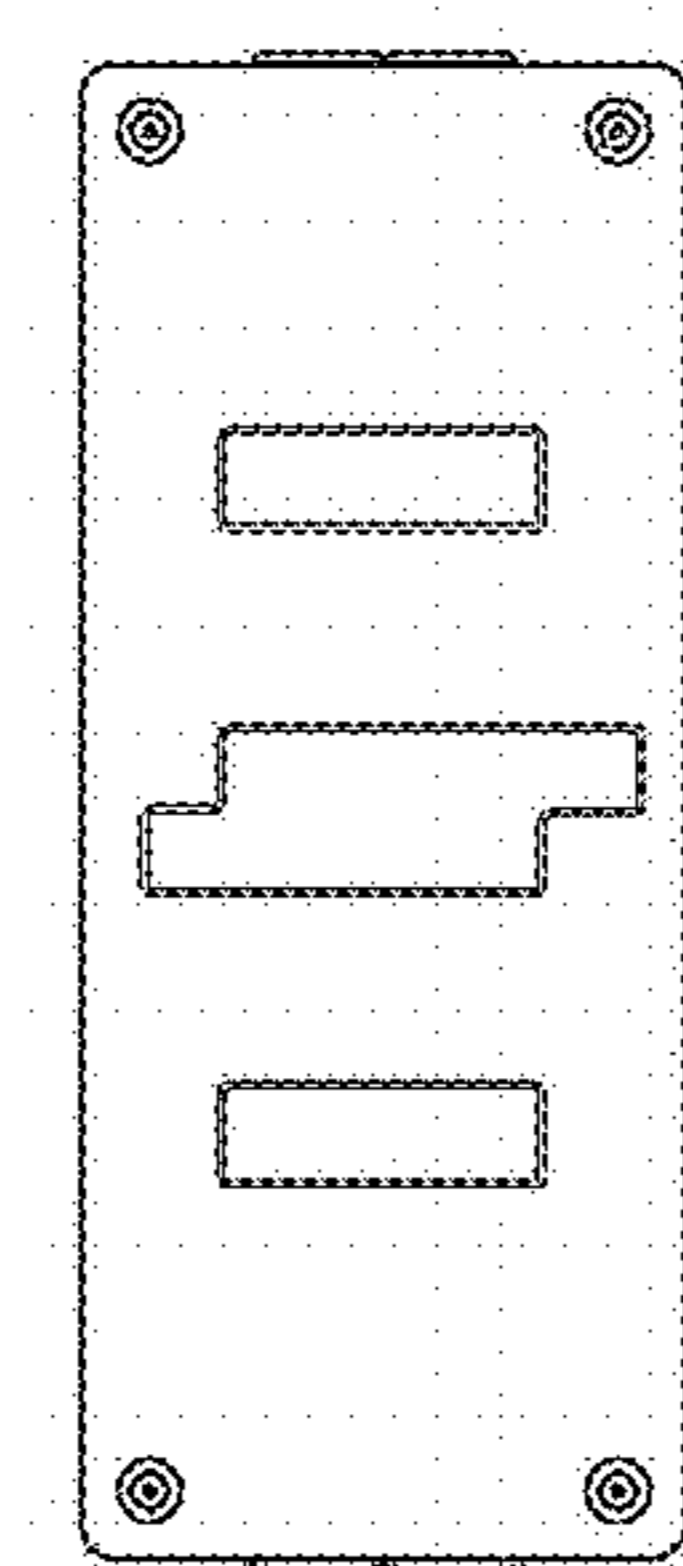


FIG. 7



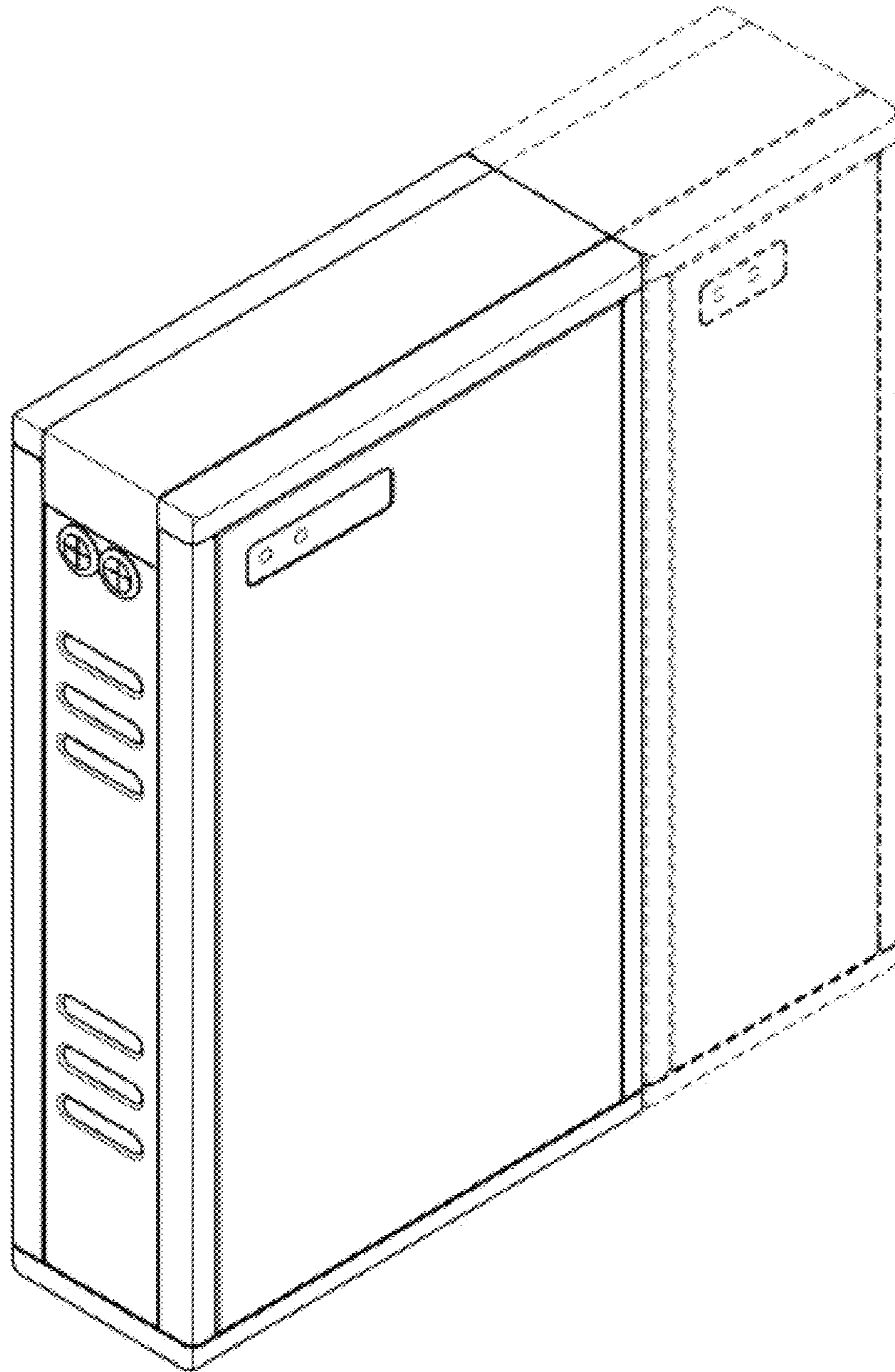


FIG. 8